

# MAJESTIC

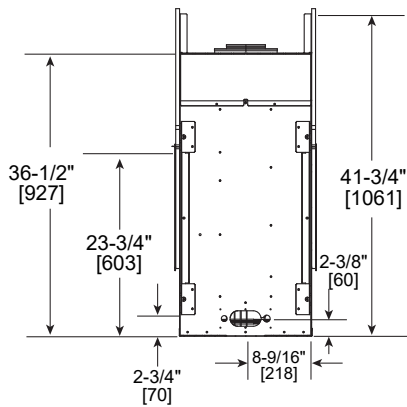
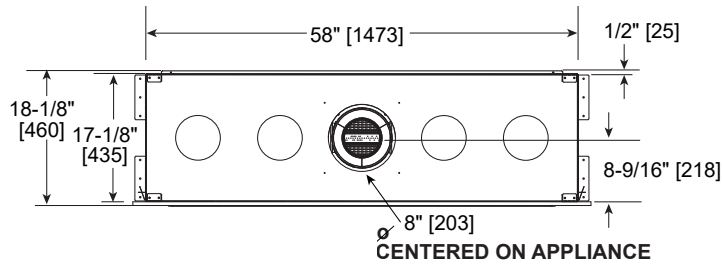
Please consult the manufacturer's installation manual for all details and requirements before making a final design layout decision.

## ECHELON II 48 SEE-THROUGH

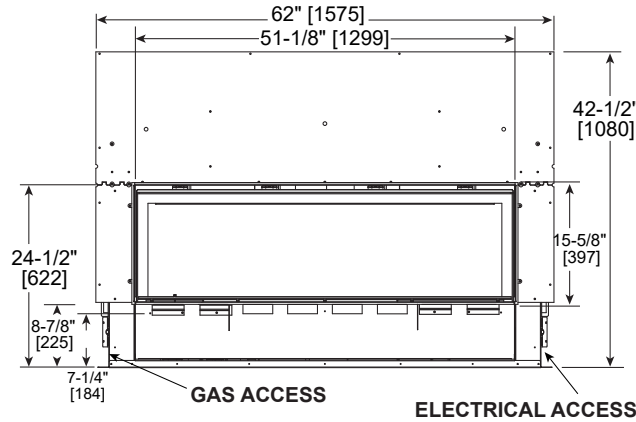
Direct Vent Gas Fireplace

MODEL	FRONT WIDTH		BACK WIDTH		HEIGHT		DEPTH		GLASS SIZE
	ACTUAL	FRAMING	ACTUAL	FRAMING	ACTUAL	FRAMING	ACTUAL	FRAMING	
<b>ECHL48ST</b> 40,000 BTU (NG) 34,000 BTU (LP)	58"	60-1/4"	58"	60-1/4"	41-3/4"	42"	17-1/8"	17"	47-1/2" x 12-1/2"

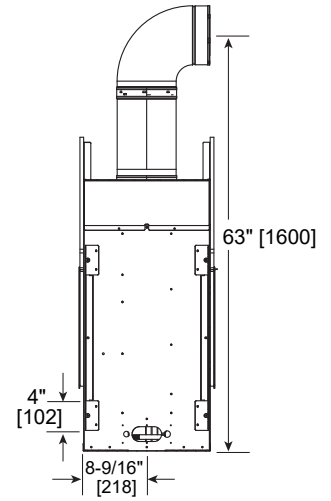
### TOP



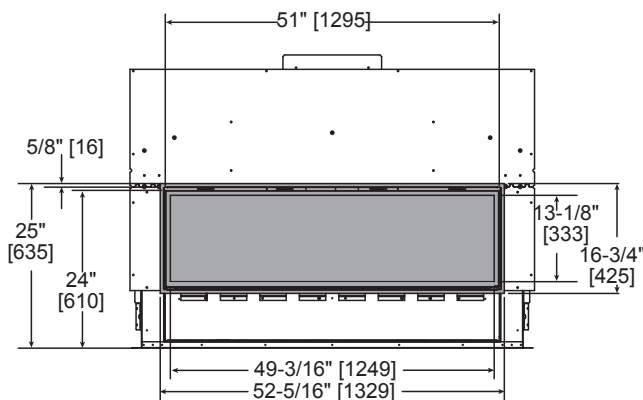
### LEFT



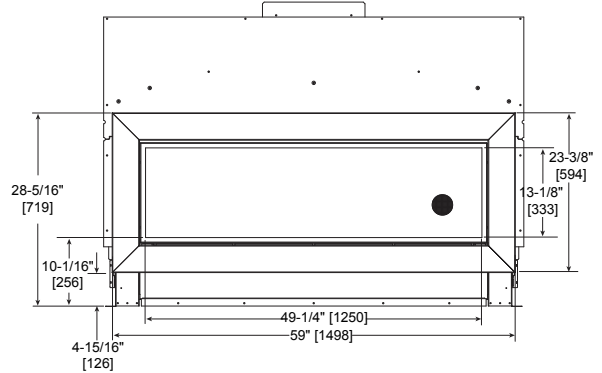
### FRONT



### RIGHT



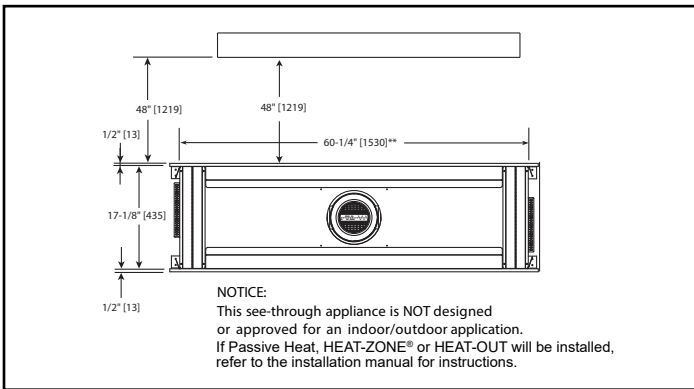
### CFT FRONT



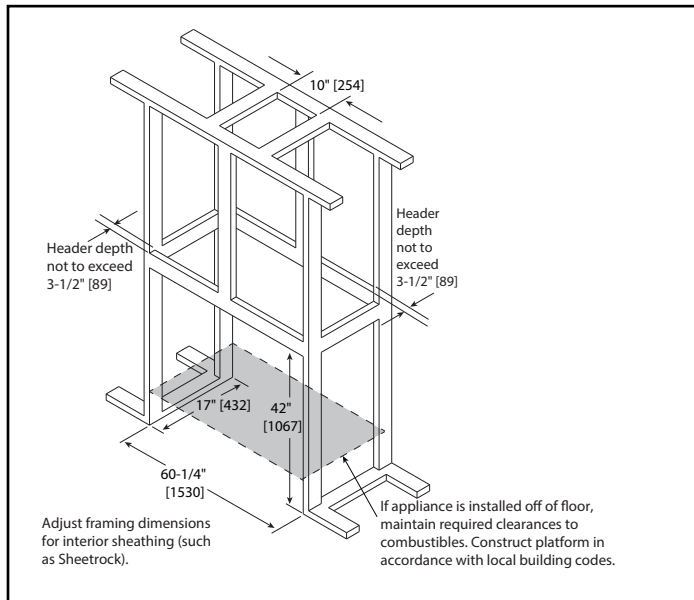
### PFF FRONT

The PFF decorative front has an installed depth of 3/4" [19mm], measured from the front of the non-combustible finishing material to the front of the decorative front.

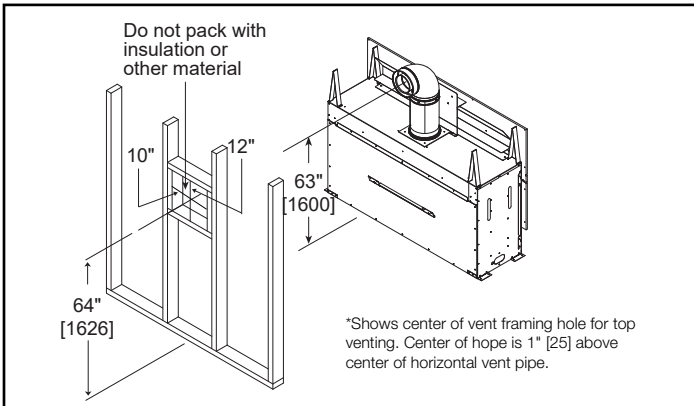
**APPLIANCE LOCATION**



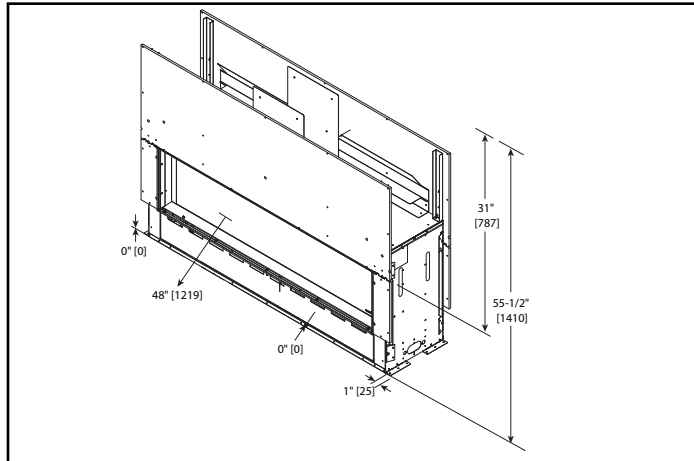
**FRAMING DIMENSION**



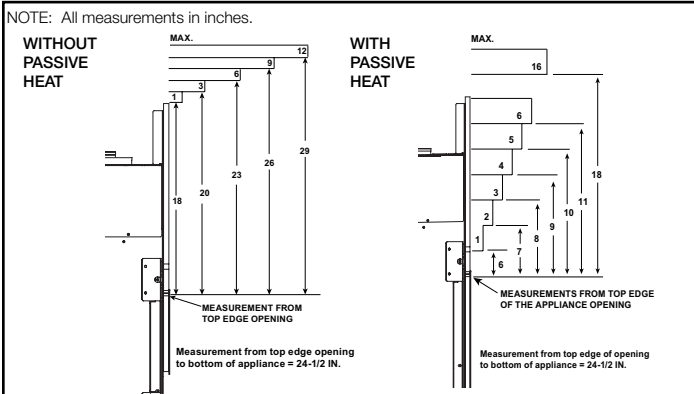
**WALL PENETRATION**



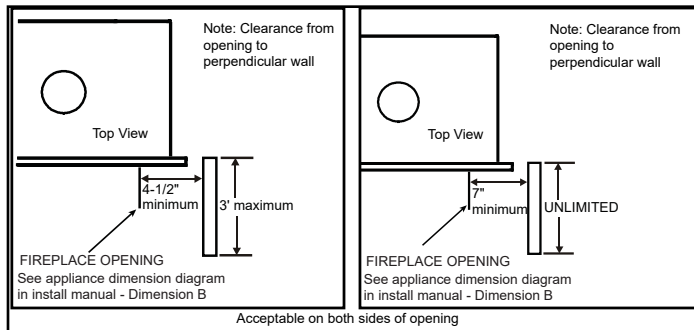
**CLEARANCES TO COMBUSTIBLES**



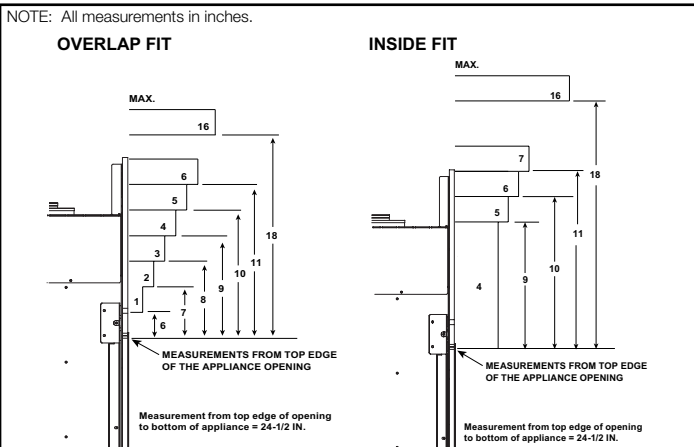
**MANTEL PROJECTIONS - COMBUSTIBLE**



**MANTEL LEG/WALL PROJECTIONS COMBUSTIBLE OR NON-COMBUSTIBLE**



**MANTEL PROJECTIONS - NON-COMBUSTIBLE**



**PRODUCT LISTING CODES**

US	ANSI Z21.88-2017
CAN	CSA 2.33-2017
	UL307B

Product information provided is not complete and is subject to change without notice. Product installation must adhere strictly to instructions accompanying product to avoid risk of fire and potential injury.