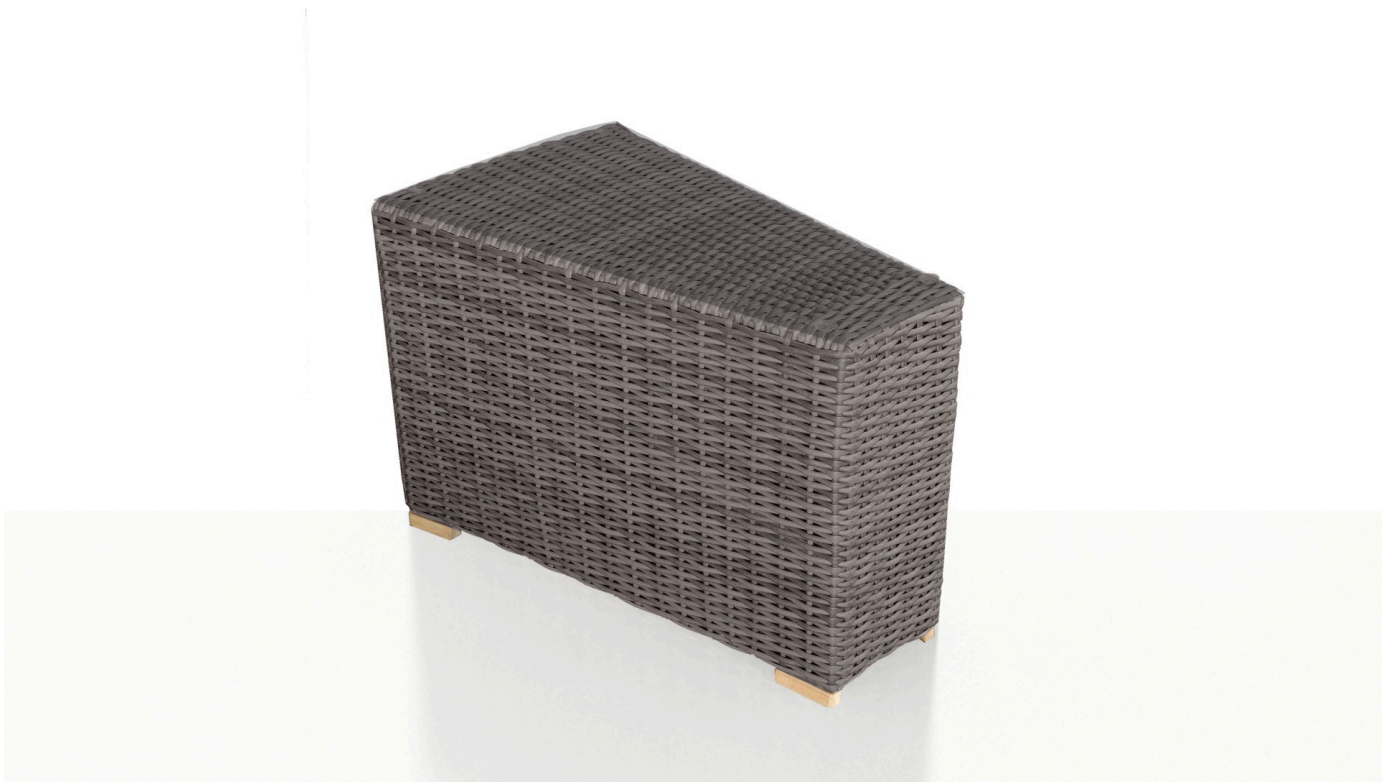


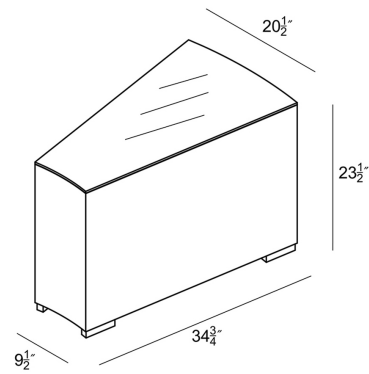
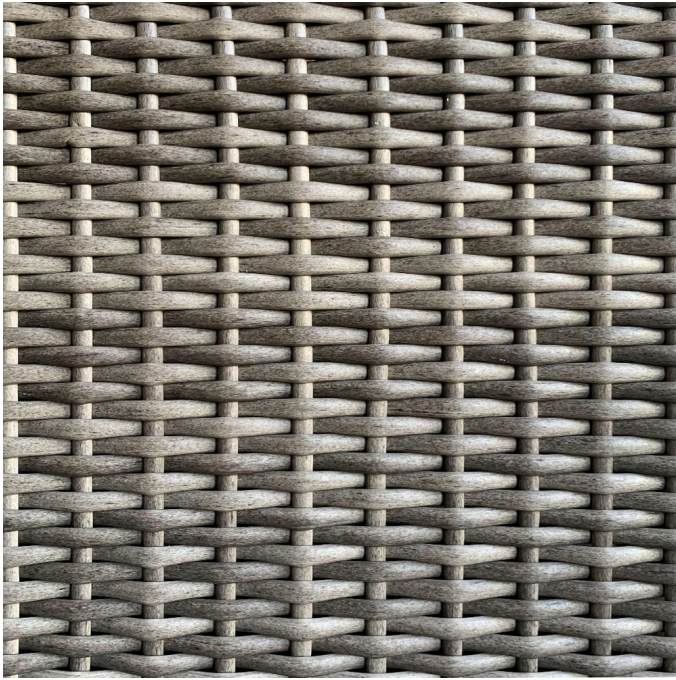


HARMONIA
LIVING

Dune Wedge End Table HL-DUNE-DW-WET

Product Images





Description

The Dune Wedge End Table by Harmonia Living will bring additional style and practicality to your outdoor patio set. This collection's modern design and beautiful wicker give it a unique visual appeal, while sturdy, all-weather construction ensures lasting performance across the seasons. The wicker is made with durable High-Density Polyethylene (HDPE) and finished in a beautifully textured Driftwood color, which gives it a natural feel. A clear tempered glass top makes cleaning an easy task, while its thick-gauged aluminum frame provides a stable, durable foundation for your end table.

Includes

- 1x Dune Wedge End Table
- 1x End Table Glass Top

Dimensions

- End Table: 34.75"W x 20.5"D x 23.5"H (35lbs.)

Features

- High-Density Polyethylene (HDPE) Wicker (Driftwood Finish) is all-weather, recyclable and resistant to fading or cracking.
- Thick gauge, powder-coated aluminum frame is lightweight, durable and corrosion resistant.
- Includes teak wood feet with plastic glides to help protect your deck or patio.
- Tempered glass table top is extra strong and made for regular outdoor exposure.
- No assembly required.

Compatible Furniture Covers

- HL-WX-GP-ET-WDG