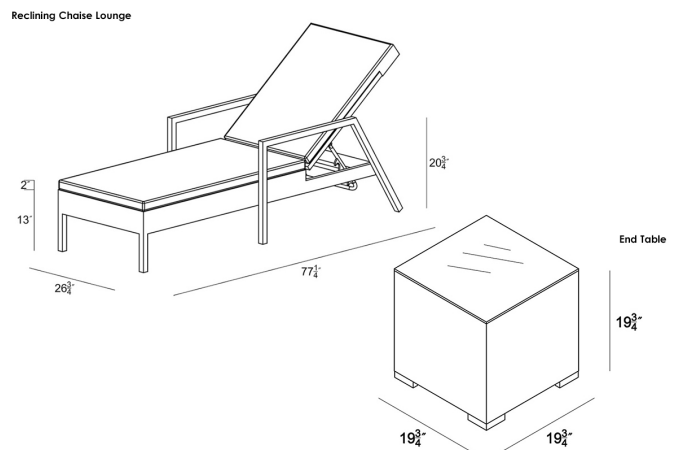




HARMONIA  
LIVING

District 6 Piece Reclining Chaise Lounge Set - No Cushions HL-DIS-TS-6RCLS-NC

Product Images



## Description

---

Create your ideal poolside or mountain view deck with the District 6 Piece Reclining Chaise Lounge Set by Harmonia Living. This collection's clean lines, flat, woven design and weathered look give it a unique visual appeal, while sturdy, all-weather construction ensures lasting performance across the seasons. The wicker is made with durable High-Density Polyethylene (HDPE) and finished in a detailed Textured Slate color, which gives it a natural feel. Its sturdy aluminum frames and triple reinforced seats are made to endure in any outdoor setting, rain or shine. The chaises recline fully up and down, allowing you to adjust them to your maximum comfort level. The end tables are topped with extra strong tempered glass, a finishing touch that is ideal for frequent use. This set comes with 4 Chaise Lounges and 2 Square End Tables, perfect for your patio or outdoor lounge.

## Includes

- 4x District Reclining Chaise Lounges
- 2x District End Tables

## Dimensions

- Chaise Lounge: 77.25"W x 26.75"D x 20.75"H (35lbs.)
- Seat Height (No Cushion): 13
- Seat Height (With Cushion): 15
- Back Height (Seat to Top): 27
- Arm Height: 20.75
- End Table: 19.75"W x 19.75"D x 19.75"H (29lbs.)

## Features

- High-Density Polyethylene (HDPE) Wicker (Textured Slate Finish) is all-weather, recyclable and resistant to fading or cracking.
- Thick gauge, powder-coated aluminum frames are lightweight, durable and corrosion resistant.
- Seat frames are triple reinforced for lasting durability.
- Includes brushed aluminum feet with plastic glides to help protect your deck or patio.
- Tempered glass table tops are extra strong and made for regular outdoor exposure.
- No assembly required.
- Optional cushions are available in Sunbrella, Outdura and Revolution performance fabrics, which are distinctive, fade resistant and easy to clean. Cushions are made in the USA.
- Cushion cover comes with a zipper for easy removal.
- A self-welt (seam piping) can be added for a tailored look.