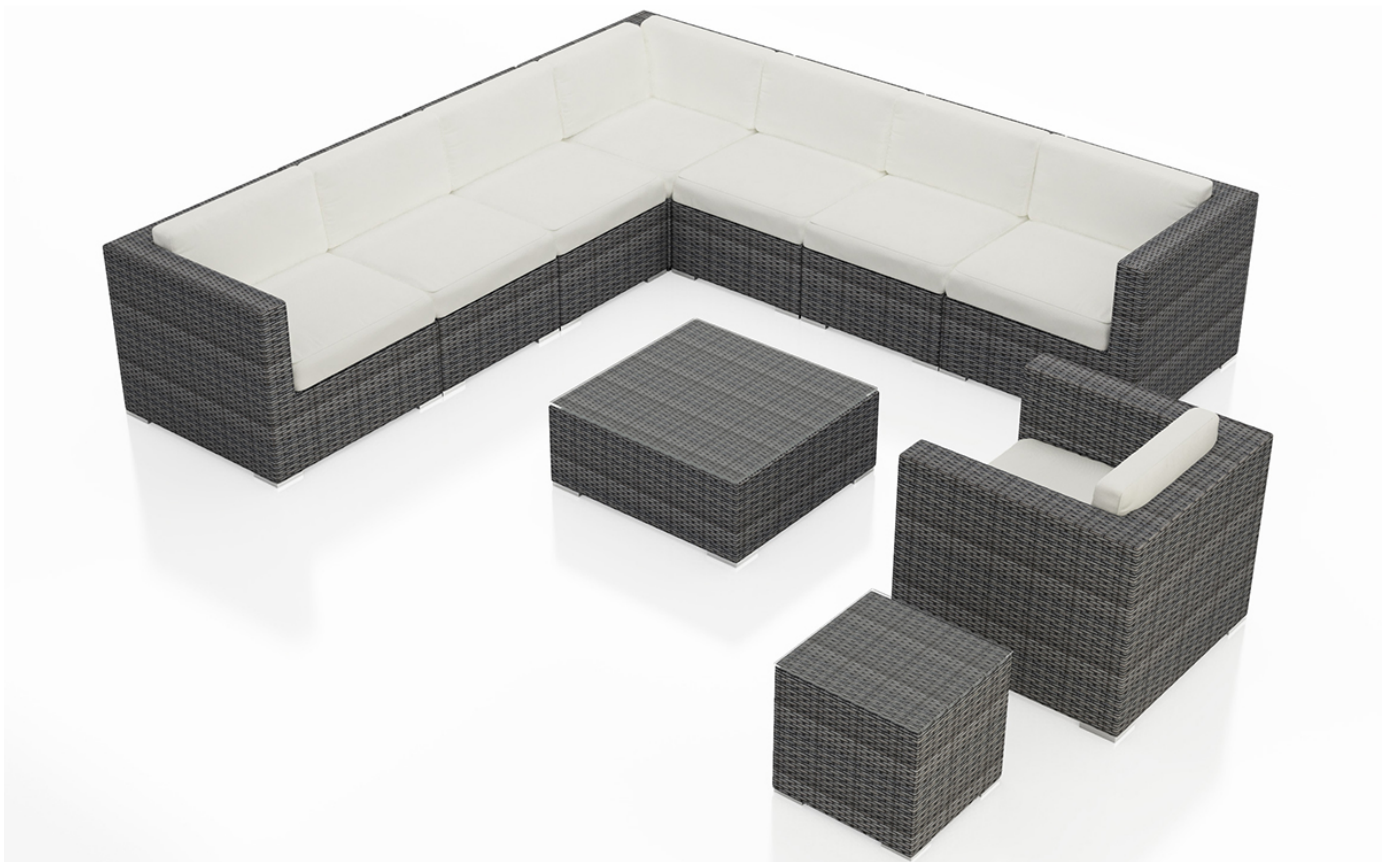


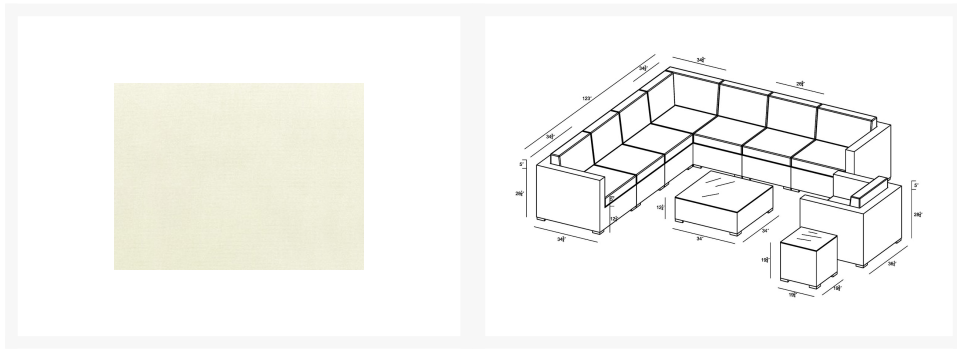


HARMONIA
LIVING

District 10 Piece Club Chair Sectional Set - Canvas Natural HL-DIS-TS-10CCSEC-CN

Product Images





Description

The District 10 Piece Club Chair Sectional Set by Harmonia Living is designed to provide plenty of seating room and ensure your total comfort as you unwind outdoors. This collection's high arms, flat, woven design and weathered look give it a unique visual appeal, while sturdy, all-weather construction ensures lasting performance across the seasons. The wicker is made with durable High-Density Polyethylene (HDPE) and finished in a beautiful Textured Slate color, which gives it a natural feel. Its sturdy aluminum frames, triple reinforced seats and fade resistant cushions are made to endure in any outdoor setting, rain or shine. The tables are topped with extra strong tempered glass, a finishing touch that is ideal for frequent use. If you wish to order this set through Harmonia Living's Quick Ship program, make sure to select a Quick Ship (QS) fabric before checkout! All cushions are made in the USA from Sunbrella, Outdura, and Revolution performance fabrics which carry a 5 year fade warranty. This set comes with 4 Middle Sections, 1 Left Arm Section, 1 Right Arm Section, 1 Corner Section, 1 Club Chair, 1 Square Coffee Table and 1 Square End Table, perfect for your patio or outdoor lounge.

Includes

- 4x District Middle Sections
- 1x District Club Chair
- 1x District Corner Section
- 1x District Square Coffee Table
- 1x District End Table
- 1x District Left Arm Section
- 1x District Right Arm Section

Dimensions

- Middle Section: 26.75"W x 34.75"D x 32.25"H (24lbs.)
- Seat Height (No Cushion): 12.25
- Seat Height (With Cushion): 17.25
- Back Height (Seat to Top): 15
- Arm Height: 28.25
- Club Chair: 36.25"W x 34.75"D x 32.25"H (35lbs.)
- Seat Height (No Cushion): 12.25
- Seat Height (With Cushion): 17.25
- Back Height (Seat to Top): 15
- Arm Height: 28.25
- Corner Section: 34.75"W x 34.75"D x 32.25"H (32lbs.)
- Seat Height (No Cushion): 12.25

- Seat Height (With Cushion): 17.25
- Back Height (Seat to Top): 15
- Arm Height: 28.25
- Coffee Table: 34"W x 34"D x 12.25"H (40lbs.)
- End Table: 19.75"W x 19.75"D x 19.75"H (29lbs.)
- Left Arm Section: 34.75"W x 34.75"D x 32.25"H (30lbs.)
- Seat Height (No Cushion): 12.25
- Seat Height (With Cushion): 17.25
- Back Height (Seat to Top): 15
- Arm Height: 28.25
- Right Arm Section: 34.75"W x 34.75"D x 32.25"H (30lbs.)
- Seat Height (No Cushion): 12.25
- Seat Height (With Cushion): 17.25
- Back Height (Seat to Top): 15
- Arm Height: 28.25

Features

- High-Density Polyethylene (HDPE) Wicker (Textured Slate Finish) is all-weather, recyclable and resistant to fading or cracking.
- Thick gauge, powder-coated aluminum frames are lightweight, durable and corrosion resistant.
- Seat frames are triple reinforced for lasting durability.
- Includes brushed aluminum feet with plastic glides to help protect your deck or patio.
- Tempered glass table tops are extra strong and made for regular outdoor exposure.
- Cushions are made in the USA with quick-drying Polyurethane foam and wrapped in Dacron, which wicks away moisture.
- Available in Sunbrella, Outdura and Revolution performance fabrics, which are distinctive, fade resistant and easy to clean.
- Set comes with U clips (for securing sectional pieces) & cushion ties (to keep cushions in place).
- A self-welt (seam piping) can be added for a tailored look.
- No assembly required.