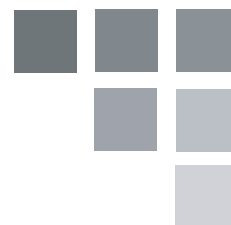




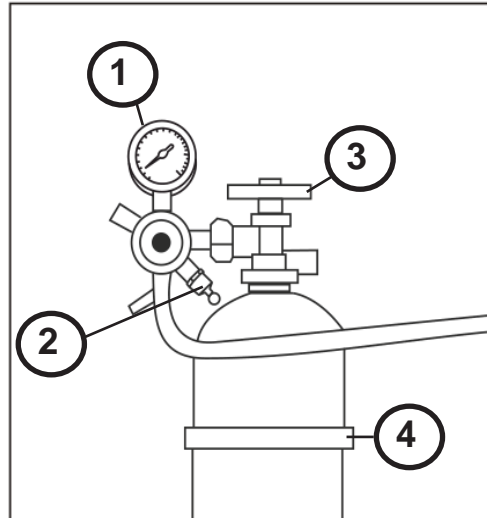
OWNER'S MANUAL  
MANUEL DU PROPRIÉTAIRE  
MANUAL DEL PROPIETARIO



<b>KEG COOLER</b> Owner's Manual.....	<b>1 - 14</b>
<b>GLACIÈRE DE BIÈRE PRESSION</b> Manuel du propriétaire.....	<b>15 - 28</b>
<b>BARRIL REFRIGERADOR</b> Manual del propietario.....	<b>29 - 42</b>

<b>MODEL • MODÈLE • MODELO</b> DKC054A1BSLDB
---

# Danby



1. Pressure gauge dial
2. Pressure relief ring
3. Open / Close valve
4. Tank strap

**Ensure the CO<sub>2</sub> tank is empty before courier or 3<sup>rd</sup> party transport.**

**DANGER** - A full or partially full CO<sub>2</sub> tank is under extreme pressure. Uncontrolled release of pressure is extremely dangerous. The instructions below use the regulator to control the release of this pressure in a safe manner. Do not bypass the regulator.

1. Ensure tank is secure
2. Fully open valve by turning counter-clockwise. Pressure gauge dial will show a value if tank contains pressure.
3. Gently pull pressure relief ring. Released gas should be heard.
4. The pressure dial will read zero when the tank is empty. Continue to hold pressure relief open until tank is empty.
5. Release the pressure relief ring.
6. Fully close valve by turning clock-wise.

# Welcome

Welcome to the Danby family. We are proud of our quality products and we believe in dependable service. We suggest that you read this owner's manual before plugging in your new appliance as it contains important operation information, safety information, troubleshooting and maintenance tips to ensure the reliability and longevity of your appliance.

Visit [www.Danby.com](http://www.Danby.com) to access self service tools, FAQs and much more. For additional assistance call **1-800-263-2629**.

**Note the information below; you will need this information to obtain service under warranty.**

**You must provide the original purchase receipt to validate your warranty and receive service.**

**Model Number:** \_\_\_\_\_

**Serial Number:** \_\_\_\_\_

**Date of Purchase:** \_\_\_\_\_

## Need Help?

Before you call for service, here are a few things you can do to help us serve you better.

**Read this owner's manual:**

It contains instructions to help you use and maintain your appliance properly.

**If you receive a damaged appliance:**

Immediately contact the retailer or builder that sold you the appliance.

**Save time and money:**

Check the troubleshooting section at the end of this manual before calling. This section will help you solve common problems that may occur.



1-800-26- Danby  
(1-800-263-2629)



## Important Safety Information

### READ AND FOLLOW ALL SAFETY INSTRUCTIONS

#### SAFETY REQUIREMENTS

**DANGER:** Risk of fire or explosion. Flammable refrigerant used. Do not puncture refrigerant tubing.

- Do not use mechanical devices to defrost refrigerator.
- Ensure that servicing is done by factory authorized service personnel, to minimize product damage or safety issues.
- Consult repair manual or owner's guide before attempting to service this product. All safety precautions must be followed.
- Dispose of properly in accordance with federal or local regulations.
- Follow handling instructions carefully.

**WARNING:** Keep ventilation openings, in the appliance enclosure or in the built-in structure, clear of obstruction.

**WARNING:** Do not use mechanical devices or other means to accelerate the defrosting process, other than those recommended by the manufacturer.

**WARNING:** Do not damage the refrigerant circuit.

**WARNING:** Do not use electrical appliances inside the food storage compartments of the appliance, unless they are of the type recommended by the manufacturer.

**CAUTION:** Children should be supervised to ensure that they do not play with the appliance.

**DANGER:** Risk of child entrapment. Before throwing away an old appliance:

- Remove the door or lid.
- Leave shelves in place so that children may not easily climb inside.

This appliance is intended to be used in household and similar applications such as:

- Staff kitchen areas in shops, offices and other working environments;
- Farm houses and by clients in hotels, motels and other residential type environments;
- Bed and breakfast type environments;
- Catering and similar non-retail applications.

#### SAFETY REQUIREMENTS

This appliance is not intended for use by persons (including children) whose physical, sensory or mental capabilities may be different or reduced, or who lack experience or knowledge, unless such persons receive supervision or training to operate the appliance by a person responsible for their safety.

Do not store explosive substances such as aerosol cans with a flammable propellant in this appliance.

#### GROUNDING INSTRUCTIONS

This appliance must be grounded. Grounding reduces the risk of electrical shock by providing an escape wire for the electrical current.

This appliance has a cord that has a grounding wire with a 3-prong plug. The power cord must be plugged into an outlet that is properly grounded. If the outlet is a 2-prong wall outlet, it must be replaced with a properly grounded 3-prong wall outlet. The serial rating plate indicates the voltage and frequency the appliance is designed for.

**WARNING** - Improper use of the grounding plug can result in a risk of electric shock. Consult a qualified electrician or service agent if the grounding instructions are not completely understood, or if doubt exists as to whether the appliance is properly grounded.

**Do not connect your appliance to extension cords or together with another appliance in the same wall outlet.** Do not splice the power cord. Do not under any circumstances cut or remove the third ground prong from the power cord. Do not use extension cords or ungrounded (two prongs) adapters.

If the power supply cord is damaged, it must be replaced by the manufacturer, its service agent or similar qualified person in order to avoid hazard.

**SAVE THESE INSTRUCTIONS!**



## **Important Safety Information**

### **READ AND FOLLOW ALL SAFETY INSTRUCTIONS**

#### **WARNING: CO<sub>2</sub> CAN BE DANGEROUS!**

CO<sub>2</sub> Cylinders, when charged, contain high pressure compressed gas which can be hazardous if not handled properly. Read and understand the following procedures for CO<sub>2</sub> cylinders before installation:

1. Always check the D.O.T. (Department of Transportation) as well as the T.C. (Transport Canada) test date located on the neck of the cylinder before installation. If the date is older than five (5) years, do not use! Return the gas cylinder to a gas supplier for re-certification (service charges may be applicable).
2. Always connect a CO<sub>2</sub> gas cylinder to a regulator. Failure to do so could result in an explosion which can possibly result in death or injury when the cylinder valve is opened.
3. Always follow correct procedures when cylinders are changed as per local codes.
4. Always secure a CO<sub>2</sub> gas cylinder in an "upright" position.
5. Always keep a CO<sub>2</sub> gas cylinder away from heat. Store extra cylinders in a cool place (preferably 70°F/21°C). Securely fasten with a chain in an upright position when storing.
6. Always ventilate and leave the area immediately after any leakage of CO<sub>2</sub>.
7. Never connect a CO<sub>2</sub> gas cylinder directly to a beer keg.
8. Never drop or throw a CO<sub>2</sub> cylinder.
9. Never connect a keg without at least one safety pressure release. There are two safety mechanisms in the pressure system;
  - One at or on the CO<sub>2</sub> regulator.
  - One at or on the product container coupler in the pressure gas line.

**Note: The regulator and keg coupler supplied with this appliance are inclusive of such safety mechanisms.**

#### **WARNING: CO<sub>2</sub> CAN BE DANGEROUS!**

If it becomes difficult to breathe and/or your head starts to ache, abnormal concentrations of carbon dioxide (CO<sub>2</sub>) may be present in the area.

#### **CLOSE THE MAIN VALVE ON THE CO<sub>2</sub> CYLINDER, VENTILATE AND LEAVE THE ROOM IMMEDIATELY!**

Beer is easily available with Danby's Keg Cooler, however, it is not intended to be available to people under the legal age to consume beer. Danby does not assume liability for the unlawful use or consumption of the beer.

#### **PLEASE DRINK RESPONSIBLY AND PLEASE DON'T DRINK AND DRIVE!**

### **WARNING**

#### **CO<sub>2</sub> GAS CAN BE DANGEROUS**

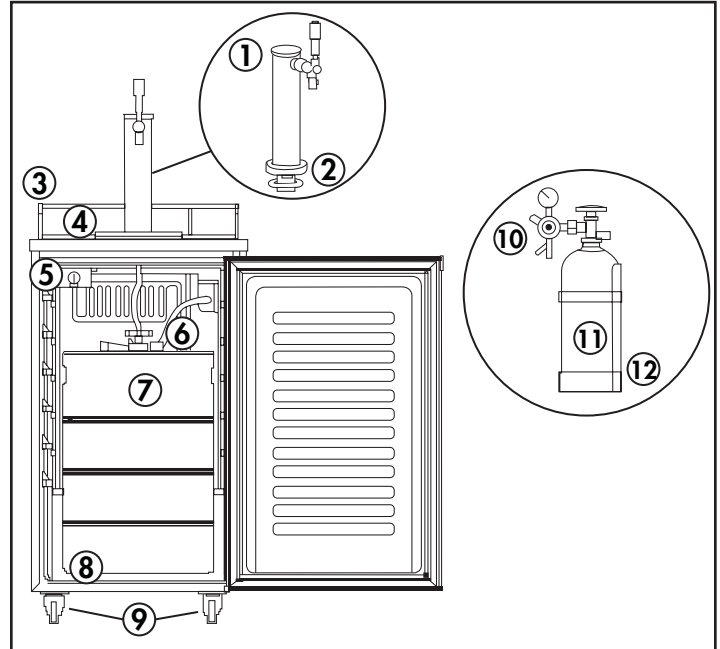
**CO<sub>2</sub> cylinders contain high-pressure compressed gas which can be hazardous if not handled properly. Make sure to read and understand all safety procedures for CO<sub>2</sub> cylinders before installation.**

**SAVE THESE INSTRUCTIONS!**

# INSTALLATION INSTRUCTIONS

## FEATURES

1. Beer Tower
2. Rubber Gasket (may not be required in all configurations)
3. Guard Rail
4. Drip Tray
5. Thermostat dial
6. Keg Coupler
7. Beer Keg (not included)
8. Metal Support Plate
9. Casters
10. CO<sub>2</sub> Regulator
11. CO<sub>2</sub> Tank
12. CO<sub>2</sub> Tank Support



## BEFORE USING YOUR KEG COOLER

- Remove the exterior and interior packaging.
- Check to be sure you have all the following parts:
  - 2 guard rails
  - 1 drip tray (2 pieces)
  - 1 CO<sub>2</sub> tank support
  - 1 CO<sub>2</sub> regulator
  - 1 CO<sub>2</sub> tank (empty)
  - 1 CO<sub>2</sub> gas line hose (coloured)
  - 1 beer hose
  - 1 beer keg coupler
  - 1 beer tower
  - 1 faucet handle
  - 1 metal plate for cabinet bottom
  - 3 wire shelves
  - 1 steel clamp for coloured hose
  - 2 plastic washers for front casters
  - 4 casters (2 front with locks)

**Note:** This appliance includes an American Sankey tap coupler only.

**Note:** This keg cooler accepts domestic kegs up to 16-1/8" in diameter and up to 23-3/8" in height. Check with the distributor to make sure the keg is correct size.

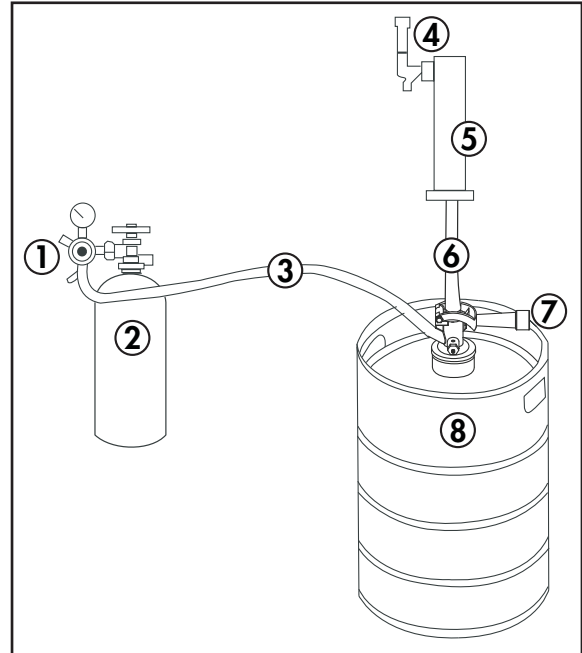
## INSTALLATION LOCATION

- Place the appliance on a floor that is strong enough to support it when it is fully loaded.
- Do not place the appliance in direct sunlight or near sources of heat, such as a stove or heater, as this can increase electrical consumption. Extreme cold ambient temperatures may also cause the appliance to perform improperly.
- Do not use the appliance near water, for example in a wet basement or near a sink.
- This appliance is intended for indoor use only. It is not designed for outside installation, including anywhere that is not temperature controlled (garages, porches, vehicles, etc.).
- Before connecting the appliance to a power source, let it stand upright for approximately 6 hours. This will reduce the possibility of a malfunction in the cooling system from handling during transportation.
- This appliance is intended for free-standing installation only and is not intended to be built into a cabinet or counter. Building in this appliance can cause it to malfunction.

# INSTALLATION INSTRUCTIONS

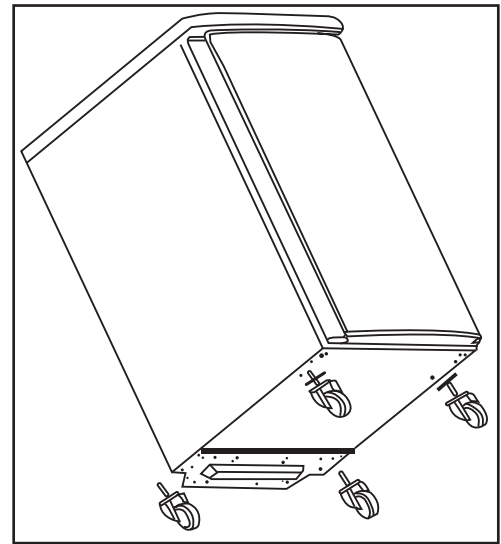
## INSTALLATION DIAGRAM

1. CO<sub>2</sub> regulator
2. CO<sub>2</sub> gas tank
3. Coloured CO<sub>2</sub> hose
4. Faucet assembly
5. Tower
6. Clear hose
7. Coupler
8. Keg



## CASTER INSTALLATION INSTRUCTIONS

Install the four casters. The two locking casters should be placed at the front. Four screw holes have been pre-drilled into the bottom of the cabinet at each corner for each caster. Put the plastic washers provided on the front casters before installing them.



## CASTOR BRAKES

The two front casters are supplied with brakes to ensure the appliance does not move excessively while being used. It is recommended to engage the brakes while the appliance is in use to avoid damage to the appliance, the contents or personal property.





## INSTALLATION INSTRUCTIONS

### INSTALLATION OF CO<sub>2</sub> TANK SUPPORT

Install the metal support onto the four studs located on the exterior back wall of the cabinet.

Align the holes in the support with the studs and push down firmly.



### INSTALLATION OF CO<sub>2</sub> TANK AND CO<sub>2</sub> REGULATOR

The CO<sub>2</sub> tank does not come filled. The tank must be filled with CO<sub>2</sub> before use.

Place the charged tank into the support stand.

Attach the CO<sub>2</sub> regulator to the tank by turning the regulator nut onto the tank valve, making sure the washer is securely inserted into the connecting nut. Tighten snug using an adjustable wrench (not supplied) and ensure there are no leaks, i.e. no hissing sounds when the CO<sub>2</sub> is turned on.



### INSTALLATION OF CO<sub>2</sub> AIR LINE AND CONNECTION TO CO<sub>2</sub> REGULATOR

Remove the plug located at the exterior back of the cabinet, in the top left hand corner. Save the plug for later use to convert the appliance to a refrigerator.

Feed the gas line through the cabinet and out through the uncovered hole.

Attach the open end of the hose to the hose barb connection on the regulator. Secure the hose by using one clamp provided. Use pliers or a screwdriver to tighten the clamp to prevent leaks.



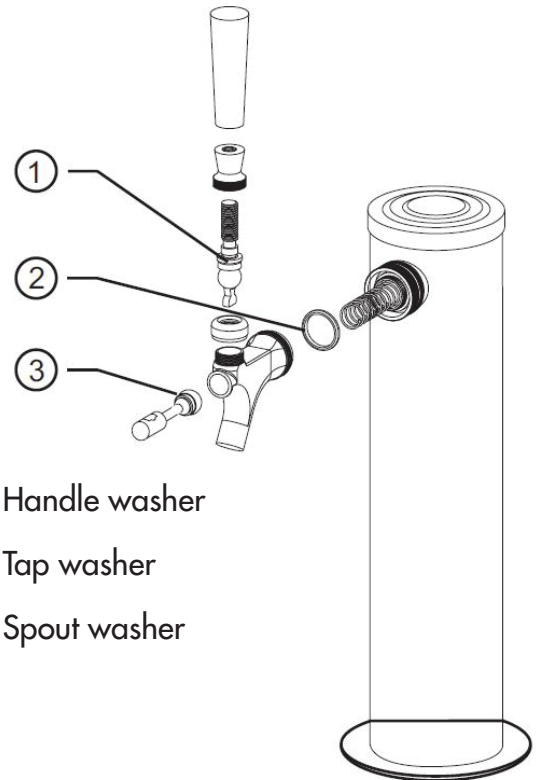


## INSTALLATION INSTRUCTIONS

### INSTALLATION OF THE BEER TOWER

- Remove the plug from the top of the fridge cabinet by twisting and pulling out. Save the plug for later use to convert the appliance to a refrigerator.
- Unravel the beer line (clear hose) from the tower and insert the beer line and wing nut through the uncovered hole on top of the cabinet.
- Secure the beer tower assembly to the top of the cabinet by pressing down and turning the tower to lock in place. Ensure the faucet is aligned with the front of the appliance.
- The rubber gasket can be used to make the connection between the tower and the cooler tighter if needed. If the beer tower will not turn to lock in place, try removing the rubber gasket. The rubber gasket may not be required in all configurations.

**Note:** If the faucet is leaking or if the beer is very foamy, ensure that the washers inside the faucet are intact. Replace the washers with spare parts from the accessory bag, if necessary.



1. Handle washer
2. Tap washer
3. Spout washer

### FAUCET WRENCH

The provided faucet wrench is for either removing or tightening the faucet connection. If the beer is not flowing freely, use the wrench to remove the faucet for cleaning. If the faucet connection is leaking, use the wrench to tighten the faucet connection.

### PLASTIC FAUCET HANDLE

Attach the black plastic handle to the top of the faucet. Hold the silver nut underneath so it does not turn. If there is a small drip from the faucet, the silver nut may be overtightened. Unscrew silver nut counter-clockwise by one turn.

### INSTALLATION OF THE PROTECTIVE METAL PLATE

The protective metal plate should be installed on the bottom of the inside of the cabinet. This plate should always be installed when a keg is in place to protect the floor of the cabinet from damage.

### INSTALLATION OF THE BEER KEG

- Two people should lift the keg to avoid back injury
- Position the keg directly in front of the open door.
- Using the keg handles, lift the front of the keg just enough so the front end is resting on the front edge of the keg cooler bottom cabinet.
- Grasp the keg handles and slide it all the way into the cabinet.

## INSTALLATION INSTRUCTIONS

### INSTALLATION OF THE CO<sub>2</sub> AIR LINE HOSE

Attach the end of the coloured air line hose to the hose connection on the side of the coupler. Ensure that the reed valve is inserted into the connection, number 4 on the image below.

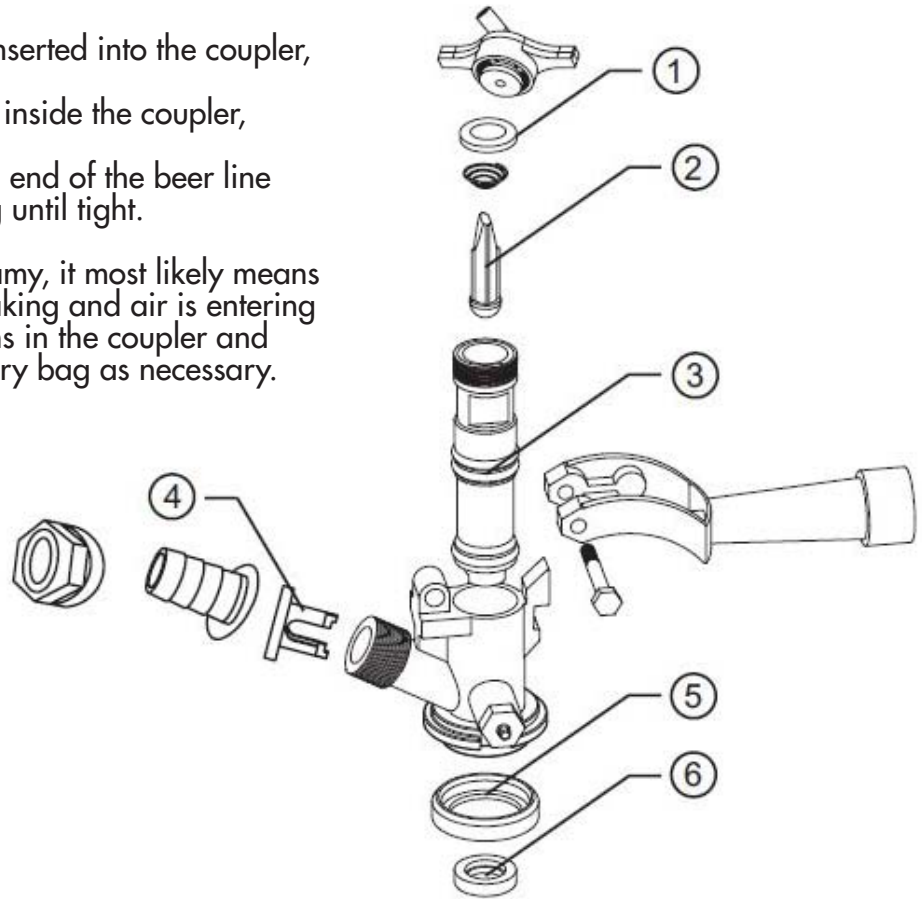
If, after assembly, beer will not flow, ensure that the reed valve has a small hole in it. If there is no hole in the reed valve then CO<sub>2</sub> cannot enter the line and the beer will not flow.

### CONNECTING THE BEER TOWER TO THE COUPLER

- Ensure all washers are properly inserted into the coupler, as per the below image.
- Ensure the check valve is in place inside the coupler, number 2 on the below image.
- Place the wing nut attached to the end of the beer line into the top of the coupler, turning until tight.

If, after assembly, the beer is very foamy, it most likely means that a connection in the coupler is leaking and air is entering the lines. Double check all connections in the coupler and replace the washers from the accessory bag as necessary.

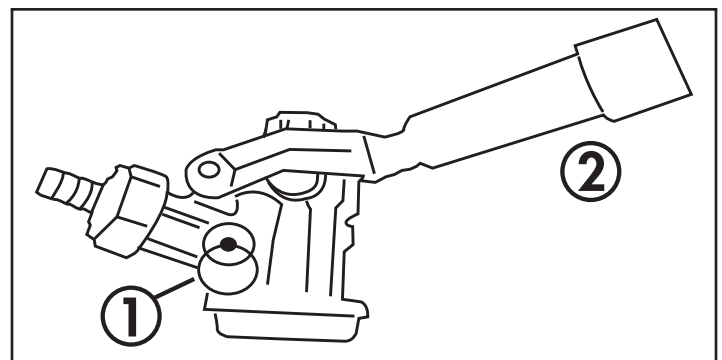
1. Valve washer
2. Check valve
3. O-type washer
4. Reed valve
5. Valve washer
6. Valve washer



### INSTALLATION OF THE KEG COUPLER

Insert the keg coupler into the locking neck of the beer keg and turn it clockwise to lock into position, making sure the keg coupler handle is in the closed position, with the handle up.

1. Coupler pressure release valve
2. Handle in closed position

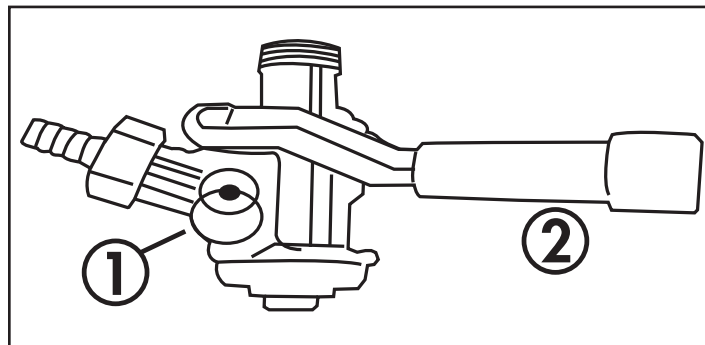


## OPERATING INSTRUCTIONS

### HOW TO TAP A KEG OF BEER

- Make sure the CO<sub>2</sub> is turned off and the valve on the regulator is in the closed position.
- Pull out and release the pressure release valve on the coupler to purge any air pressure.
- Make sure the faucet handle is in the closed position.
- Pull the coupler handle out and downward until it locks into its open position. The teeth on the underside of the coupler will bite into the locking neck of the beer keg.

**Note:** If a keg is very tall, it may be necessary to connect the coupler to the keg before inserting the keg into the keg cooler.



1. Coupler pressure release valve
2. Handle in open position

### OPENING THE CO<sub>2</sub> TANK MAIN VALVE

- Make sure the secondary shut-off valve (shown below in “open” position) is closed. To open the main CO<sub>2</sub> cylinder valve, slowly turn the main valve counter-clockwise until fully open.
- Notice the needle on the regulator gauge start to climb.

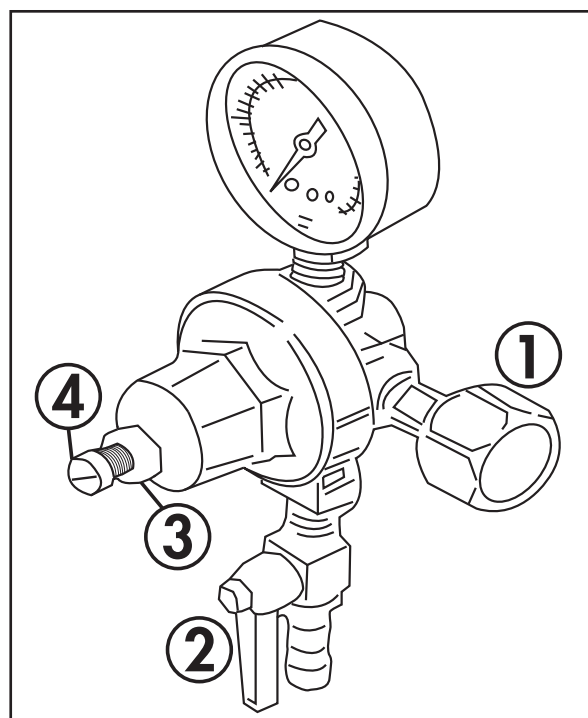
### ADJUSTING THE CO<sub>2</sub> REGULATOR

The gauge monitors internal keg pressure and should be adjusted to read between 8-12 PSI. The pressure can be adjusted as needed. After making any adjustment to the PSI, wait 5 - 10 minutes before attempting to pour another beer to allow the pressure to equalize.

- If the beer is very foamy, try turning the pressure down.
- If the flow of beer is very weak, try turning the pressure up.

1. Loosen the lock nut.
2. Turn the adjustment screw with a flat screwdriver.
  - To increase pressure, turn screw clockwise.
  - To decrease pressure, turn screw counter-clockwise.
3. Allow several minutes for the keg to properly pressurize before adjusting the pressure further. The regulator gauge may drop while this happens.
4. Retighten the lock nut to ensure the pressure does not get adjusted accidentally.

**Note:** Listen for hissing along all connections to identify if there are any leaks.



1. Connection to CO<sub>2</sub> tank
2. Shut off valve (open position)
3. Lock nut
4. Adjustment screw

## OPERATING INSTRUCTIONS

### DISPENSING OF BEER

- Keep beer keg refrigerated at all times.
- Never allow beer lines to dry out.
- Use clean glassware before pouring.
- Hold glass at a 45° angle, when it is 2/3 full, start to straighten glass as the glass fills.
- Always make sure the faucet handle is pushed all the way back.

**Note:** The refrigerator compartment cannot accommodate the "Coors" style beveled barrel keg.

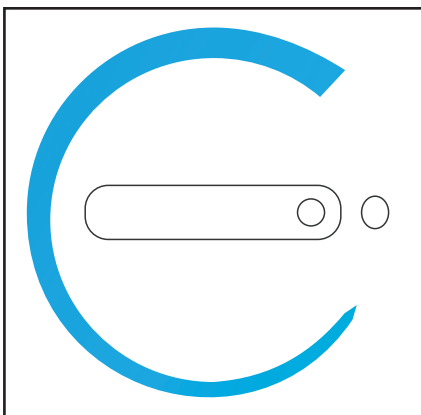
**Note:** Our keg cooler accepts domestic kegs up to 16-1/8" in diameter and up to 23-3/8" in height. Check with your distributor to make sure keg is correct size.

**Note:** It is important to allow the keg to sit upright and undisturbed, for 2 hours before tapping.

### SETTING THE TEMPERATURE

The temperature is controlled by adjusting the thermostat control knob.

- The thinnest part of the dial is the warmest setting.
- The thickest part of the dial is the coldest setting.
- To turn off the cooling, rotate the control knob to the "0" (OFF) position.



### AUTOMATIC DEFROSTING

There is no need to defrost the keg cooler. Defrost water collects and passes through the drain outlet in the rear wall into a tray located above the compressor, where it evaporates.

**Note:** If the appliance is unplugged, power lost or turned off, wait 3 to 5 minutes before restarting the appliance. If there is an attempt to restart before this time delay, the compressor may not start.

### CONVERTING TO A REFRIGERATOR

1. Turn the thermostat dial to the "OFF" position.
2. Close the main valve on the CO<sub>2</sub> cylinder.
3. Close the secondary shut-off valve on the regulator pipe.
4. Close the connection between the beer keg and the keg coupler.
5. Drain any remaining beer from the lines. (We recommend cleaning at this point, please see Care and Maintenance section).
6. Disconnect the beer line and CO<sub>2</sub> gas line from the keg coupler.
7. Remove the beer keg.
8. Remove the keg coupler.
9. Disconnect the gas line from the CO<sub>2</sub> cylinder.
10. Remove the CO<sub>2</sub> gas line from cabinet plug.
11. Replace the gas line rear cabinet plug.
12. Remove the beer tower. Also pull the beer line through the top of the cabinet.
13. Replace the top cabinet plug.
14. Adjust the temperature as desired.

**Note:** In order to convert the appliance, the gas line must be disconnected from the regulator in order to remove it from the cabinet.

**Note:** Install the shelf by sliding it into the desired spot in the appliance.

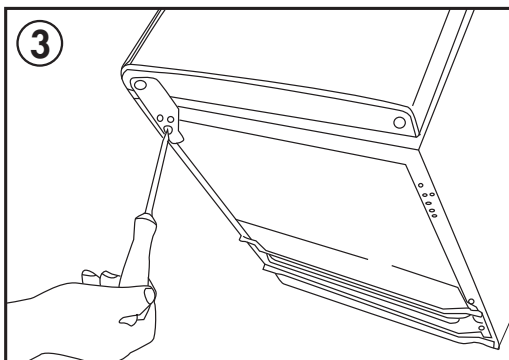
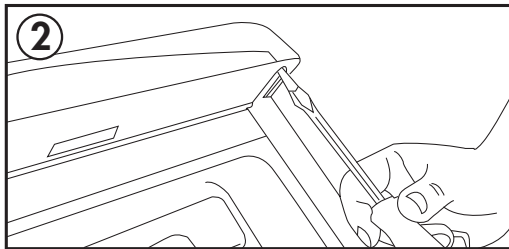
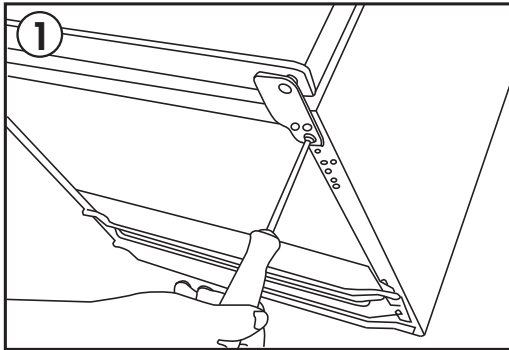
## OPERATING INSTRUCTIONS

### DOOR REVERSAL INSTRUCTIONS

If the appliance is placed on its back or side for any length of time during this process, it must be allowed to remain upright for 6 hours before plugging it in to avoid damage to internal components.

1. Remove the lower hinge from the bottom right side of the cabinet. Remove the door from the cabinet.
2. Remove the hinge pin from the upper right side of the cabinet. Install it on the upper left side of the cabinet.
3. Install the door on the cabinet and install the lower hinge on the bottom right side of the cabinet.

**Note:** Ensure the top of the door is level with the top of the cabinet and that the rubber gasket is making a good seal with the cabinet all the way around before tightening the screws.



## CARE & MAINTENANCE

### CLEANING THE KEG COOLER

- Turn the temperature control to "OFF", unplug the keg cooler, and remove the contents.
- Wash the inside surfaces with a warm water and baking soda solution. The solution should be 2 tablespoons of baking soda to a quart of water.
- Wash the shelves and stand with a mild detergent solution.
- Wipe down any electrical controls with a dry cloth.
- Wash the outside cabinet with warm water and mild liquid detergent. Rinse well and wipe dry with a clean soft cloth.

### CLEANING THE BEER LINES

Beer lines have to periodically be cleaned because of a crystallized sugar build up which forms on the fittings, lines and taps. If the build up is not completely removed in a cleaning process it will leave an unsanitary surface that can harbor microorganisms which will cause an undesirable flavour and/or cause the beer to go flat. Sufficient build up will also lead to dispensing problems ranging from foamy beer to flat beer, regardless of the carbonation levels or the quality or age of the beer in the keg.

Scheduled line and faucet cleaning eliminates the build-up, protecting the integrity of the product and condition of the dispensing system and seals. The beer line should be cleaned and rinsed with hot water approximately once every three weeks or every other keg - whichever comes first. The faucet should be cleaned with hot water on a weekly basis or prior to every use if not used on a regular basis.

**Note:** If the faucet handle becomes stuck or hard to move, this is usually indicative that it requires cleaning. DO NOT apply force to move the handle in this situation, as this can lead to damaging the handle or faucet and will not be covered by the warranty.

## TROUBLESHOOTING

**Danby Consumer Care: 1-800-263-2629**

**Hours of operation:**

Monday to Thursday 8:30 am - 6:00 pm Eastern Standard Time

Friday 8:30 am - 4:00 pm Eastern Standard Time

Information in this manual is subject to change without notice.

PROBLEM	POSSIBLE CAUSE
<b>The unit does not operate</b>	<ul style="list-style-type: none"> <li>• Not plugged in</li> <li>• The circuit breaker tripped or blown fuse</li> </ul>
<b>Turns on and off frequently</b>	<ul style="list-style-type: none"> <li>• The room temperature is hotter than normal</li> <li>• The door is open too often</li> <li>• The door is not closed completely</li> <li>• The temperature control is not set correctly</li> <li>• The door gasket does not seal properly</li> <li>• The unit does not have proper clearance</li> </ul>
<b>Vibrations</b>	<ul style="list-style-type: none"> <li>• Check that the keg cooler is level</li> </ul>
<b>The keg cooler seems to make too much noise</b>	<ul style="list-style-type: none"> <li>• The rattling noise may come from the flow of refrigerant, which is normal</li> <li>• Gurgling, caused by liquid refrigerant cycling is normal</li> <li>• Contraction and expansion of the inside walls may cause popping and crackling noises</li> <li>• The keg cooler is not level</li> </ul>
<b>The door will not close properly</b>	<ul style="list-style-type: none"> <li>• The keg cooler is not level</li> <li>• The door was reversed and not properly reinstalled</li> <li>• The gasket is dirty</li> <li>• The shelves or stand are out of position</li> <li>• The keg is not properly centered in the unit</li> <li>• The casters are not attached</li> </ul>
<b>Excessive beer foam</b>	<ul style="list-style-type: none"> <li>• Ensure the beer line hose from the tower and the CO<sub>2</sub> air line hose from the CO<sub>2</sub> regulator are attached to the correct connections on the coupler; beer line to the top of the coupler, CO<sub>2</sub> air line to the side of the coupler</li> <li>• Check that there are no leaks in any connections</li> <li>• Ensure that the reed valve in the CO<sub>2</sub> connection at the coupler has a hole in it</li> <li>• The CO<sub>2</sub> pressure may be set too high; try turning the pressure down</li> <li>• Ensure that the check valve is inserted into the coupler</li> <li>• Ensure the beer lines are clean</li> </ul>
<b>Weak beer flow</b>	<ul style="list-style-type: none"> <li>• Ensure the beer line hose from the tower and the CO<sub>2</sub> air line hose from the CO<sub>2</sub> regulator are attached to the correct connections on the coupler; beer line to the top of the coupler, CO<sub>2</sub> air line to the side of the coupler</li> <li>• Check that there are no leaks in any connections</li> <li>• Ensure that the reed valve in the CO<sub>2</sub> connection at the coupler has a hole in it</li> <li>• The CO<sub>2</sub> pressure may be set too low; try turning the pressure up</li> <li>• Ensure there are no bends or kinks in any of the hoses that could impede flow</li> <li>• Ensure the beer lines are clean</li> </ul>



## LIMITED "IN HOME" WARRANTY

This quality product is warranted to be free from manufacturer's defects in material and workmanship, provided that the unit is used under the normal operating conditions intended by the manufacturer.

This warranty is available only to the person to whom the unit was originally sold by Danby Products Limited (Canada) or Danby Products Inc. (U.S.A.) (hereafter "Danby") or by an authorized distributor of Danby, and is non-transferable.

### TERMS OF WARRANTY

Plastic parts are warranted for thirty (30) days from the date of purchase, with no extensions provided.

**First 12 months** During the first **twelve (12) months**, any functional parts of this product found to be defective, will be repaired or replaced, at warrantor's option, at no charge to the original purchaser.

**To obtain service** Contact the dealer where the unit was purchased, or contact the nearest authorized Danby service depot, where service must be performed by a qualified service technician. If service is performed on the unit by anyone other than an authorized service depot, all obligations of Danby under this warranty shall be void.

**Boundaries of in-home service** Danby reserves the right to limit the boundaries of "In Home Service" to the proximity of an authorized service depot. Any appliance requiring service outside the limited boundaries of "In Home Service", will be the consumer's responsibility to transport at their own expense to the original point of purchase or a service depot for repair. If the appliance is installed in a location that is **100 kilometers (62 miles)** or more from the nearest service center, it must be delivered to the nearest authorized Danby Service Depot by the purchaser.

Transportation charges to and from the service location are not protected by this warranty and are the responsibility of the purchaser.

Nothing within this warranty shall imply that Danby will be responsible or liable for any spoilage or damage to food or other contents of this appliance, whether due to any defect of the appliance, or its use, whether proper or improper.

### EXCLUSIONS

Save as herein provided, by Danby, there are no other warranties, conditions, representations or guarantees, express or implied, made or intended by Danby or its authorized distributors and all other warranties, conditions, representations or guarantees, including any warranties, conditions, representations or guarantees under any Sale of Goods Act or like legislation or statute is hereby expressly excluded. Save as herein provided, **Danby shall not be responsible for any damages to persons or property, including the unit itself, howsoever caused or any consequential damages arising from the malfunction of the unit and by the purchase of the unit, the purchaser does hereby agree to indemnify and hold harmless Danby from any claim for damages to persons or property caused by the unit.**

### GENERAL PROVISIONS

No warranty or insurance herein contained or set out shall apply when damage or repair is caused by any of the following:

- 1) Power failure.
- 2) Damage in transit or when moving the appliance.
- 3) Improper power supply such as low voltage, defective house wiring or inadequate fuses.
- 4) Accident, alteration, abuse or misuse of the appliance such as inadequate air circulation in the room or abnormal operating conditions (ie. extremely high or low room temperature).
- 5) Use for commercial or industrial purposes (ie. If the appliance is not installed in a domestic residence).
- 6) Fire, water damage, theft, war, riot, hostility, acts of God such as hurricanes, floods etc.
- 7) Service calls resulting in customer education.
- 8) Improper Installation (ie. Building-in of a free standing appliance or using an appliance outdoors that is not approved for outdoor application, including but not limited to: garages, patios, porches or anywhere that is not properly insulated or climate controlled).

Proof of purchase date will be required for warranty claims; retain bills of sale. In the event that warranty service is required, present the proof of purchase to our authorized service depot.

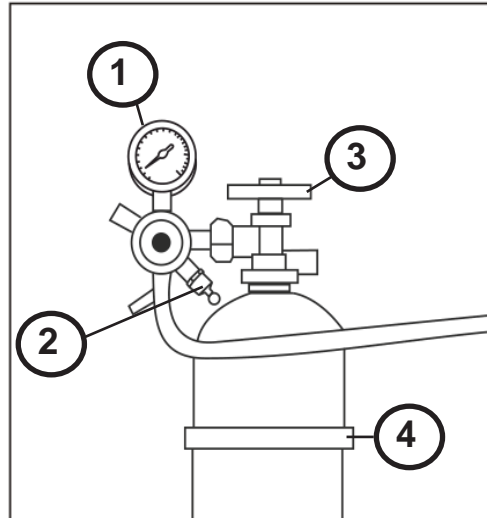
**Warranty Service  
In Home**

Danby Products Limited  
PO Box 1778, Guelph, Ontario, Canada N1H 6Z9  
Telephone: (519) 837-0920 FAX: (519) 837-0449

**1-800-263-2629  
04/17**

Danby Products Inc.  
PO Box 669, Findlay, Ohio, U.S.A. 45840  
Telephone: (419) 425-8627 FAX: (419) 425-8629





1. Cadran de manomètre
2. Anneau de limitation de pression
3. Soupape de l'ouverture / fermeture
4. Sangle du réservoir

**Vérifiez que le réservoir de CO<sub>2</sub> est vide avant de messagerie ou transport 3e parti.**

**DANGER** - Un réservoir plein ou partiellement plein de CO<sub>2</sub> est sous une pression extrême. La libération incontrôlée de la pression est extrêmement dangereuse. Les instructions ci-dessous utilisent le régulateur pour contrôler la libération de cette pression de manière sûre. Ne contournez pas le régulateur.

1. Assurez-vous que le réservoir est bien fixé
2. Ouvrir complètement la soupape en tournant dans le sens anti-horaire. Le cadran du manomètre indiquera une valeur si le réservoir contient de la pression.
3. Tirez doucement la bague de décharge de pression. Le gaz rejeté doit être entendu.
4. Le cadran de pression indique zéro lorsque le réservoir est vide. Continuez à maintenir le soulagement de pression ouvert jusqu'à ce que le réservoir soit vide.
5. Relâcher l'anneau de décharge de pression.
6. Fermez complètement la soupape en tournant dans le sens horaire.

# Bienvenue

Bienvenue à la famille Danby. Nous sommes fiers de la qualité de nos produits et nous croyons au service fiable. Nous vous suggérons de lire ce manuel d'utilisation avant de brancher votre nouvel appareil, car il contient des informations importantes sur l'utilisation, la sécurité, le dépannage et la maintenance, afin d'assurer la fiabilité et la longévité de votre appareil.

Visitez [www.Danby.com](http://www.Danby.com) pour accéder aux outils d'autoservice, aux FAQ et bien plus encore. Pour obtenir de l'aide supplémentaire, composez le **1-800-263-2629**.

**Notez les informations ci-dessous; Vous aurez besoin de cette information pour obtenir un service sous garantie.**

**Vous devez fournir le reçu d'achat original pour valider votre garantie et recevoir le service.**

**Numéro de modèle :** \_\_\_\_\_

**Numéro de série :** \_\_\_\_\_

**Date d'achat :** \_\_\_\_\_

## Besoin d'assistance?

Avant d'appeler pour le service, voici quelques choses que vous pouvez faire pour nous aider à mieux vous servir.

### **Lire ce manuel du propriétaire :**

Il contient des instructions pour vous aider à utiliser et à entretenir votre appareil correctement.

### **Si vous recevez un appareil endommagé :**

Contactez immédiatement le revendeur ou l'entrepreneur qui vous a vendu l'appareil.

### **Gagnez du temps et de l'argent :**

Avant d'appeler pour le service, consultez la section de dépannage à la fin de ce manuel. Cette section vous aidera à résoudre les problèmes courants pouvant survenir.



1-800-26- Danby  
(1-800-263-2629)



## Consignes de sécurité importantes

### LIRE ET SUIVRE TOUTES LES INSTRUCTIONS DE SÉCURITÉ

#### EXIGENCES DE SÉCURITÉ

**DANGER** : Risque d'incendie ou d'explosion. Liquide frigorigène inflammable utilisé. Ne pas percer les tubes de réfrigérant.

- N'utilisez pas de dispositifs mécaniques pour dégivrer le réfrigérateur.
- Assurez-vous que l'entretien est effectué par le personnel de service autorisé en usine, afin de minimiser les dommages sur les produits ou les questions de sécurité.
- Consultez le manuel de réparation ou le guide du propriétaire avant d'essayer de réparer ce produit. Toutes les précautions de sécurité doivent être respectées.
- Éliminer conformément aux règlements fédéraux ou locaux.
- Suivez attentivement les instructions de manutention.

**AVERTISSEMENT** : Garder les ouvertures de ventilation, dans l'enceinte de l'appareil ou dans la structure intégrée, sans obstruction.

**AVERTISSEMENT** : N'utilisez pas de dispositifs mécaniques ou d'autres moyens pour accélérer le processus de dégivrage, autres que ceux recommandés par le fabricant.

**AVERTISSEMENT** : Ne pas endommager le circuit de réfrigérant.

**AVERTISSEMENT** : N'utilisez pas d'appareils électriques à l'intérieur des compartiments de stockage d'aliments de l'appareil, à moins qu'ils ne soient du type recommandé par le fabricant.

**ATTENTION** : Les enfants devraient être surveillés pour s'assurer qu'ils ne jouent pas avec l'appareil.

**DANGER** : Risque de piégeage des enfants. Avant de jeter un ancien appareil :

- Retirez la porte ou le couvercle.
- Laissez les étagères en place afin que les enfants ne puissent pas facilement monter à l'intérieur.

Cet appareil est destiné à être utilisé dans des applications domestiques et similaires telles que :

- Cuisines du personnel dans les magasins, les bureaux et autres environnements de travail;
- Les maisons de ferme et par les clients dans les hôtels, motels et autres environnements de type résidentiel;
- Chambres d'hôtes;
- Restauration et applications similaires non commerciales.

#### EXIGENCES DE SÉCURITÉ

Cet appareil n'est pas destiné à être utilisé par des personnes (y compris des enfants) dont les capacités physiques, sensorielles ou mentales peuvent être différentes ou réduites, ou qui n'ont pas d'expérience ou de connaissances, à moins que ces personnes ne reçoivent de supervision ou de formation pour faire fonctionner l'appareil par une personne responsable de leur sécurité.

Ne pas stocker des substances explosives comme les bombes aérosol avec un propulseur inflammable dans cet appareil.

#### INSTRUCTIONS DE MISE À LA TERRE

Cet appareil doit être mis à la terre. La mise à la terre réduit le risque de choc électrique en fournissant un fil d'échappement pour le courant électrique.

Cet appareil possède un cordon doté d'un fil de mise à la terre avec une fiche à 3 broches. Le cordon d'alimentation doit être branché sur une prise correctement mise à la terre. Si la sortie est une prise murale à 2 broches, elle doit être remplacée par une prise murale à 3 broches correctement mise à la terre. La plaque signalétique en série indique la tension et la fréquence auxquelles l'appareil est conçu.

**AVERTISSEMENT** - Une utilisation incorrecte de la fiche de mise à la terre peut entraîner un risque d'électrocution. Consultez un électricien qualifié ou un agent de service si les instructions de mise à la terre ne sont pas complètement comprises ou s'il existe un doute quant à savoir si l'appareil est correctement mis à la terre.

**Ne branchez pas votre appareil à des rallonges ou avec un autre appareil dans la même prise murale.** Ne pas épisser le cordon d'alimentation. Ne coupez ou retirez en aucun cas la troisième broche du cordon d'alimentation. N'utilisez pas de cordons de prolongement ou d'adaptateurs sans mise à la terre (deux broches).

Si le cordon d'alimentation est endommagé, il doit être remplacé par le fabricant, son agent de service ou une personne qualifiée similaire afin d'éviter tout risque.

**GARDEZ CES INSTRUCTIONS!**



## Consignes de sécurité importantes

### LIRE ET SUIVRE TOUTES LES INSTRUCTIONS DE SÉCURITÉ

#### ATTENTION: LE CO<sub>2</sub> PEUT ÊTRE DANGEREUX!

Les bouteilles de CO<sub>2</sub>, lorsqu'elles sont chargées, contiennent du gaz comprimé à haute pression qui peut être dangereux s'il n'est pas manipulé correctement. Lisez et comprenez les procédures suivantes pour les bouteilles de CO<sub>2</sub> avant l'installation:

1. Vérifiez toujours le D.O.T. (Département des Transports) ainsi que le T.C. (Transports Canada) date d'essai située sur le goulot de la bouteille avant l'installation. Si la date est plus vieille que cinq (5) ans, n'utilisez pas! Retourner la bouteille de gaz à un fournisseur de gaz pour une nouvelle certification (des frais de service peuvent être applicables).
2. Toujours connecter une bouteille de gaz CO<sub>2</sub> à un régulateur. Ne pas le faire pourrait provoquer une explosion qui peut entraîner la mort ou des blessures lorsque la soupape de la bouteille est ouverte.
3. Toujours suivre les procédures correctes lorsque les cylindres sont changés selon les codes locaux.
4. Toujours fixer une bouteille de gaz CO<sub>2</sub> dans une position «verticale».
5. Toujours garder une bouteille de gaz CO<sub>2</sub> loin de la chaleur. Stocker les cylindres supplémentaires dans un endroit frais (de préférence 70 °F / 21 °C). Fixez solidement avec une chaîne dans une position verticale lors du stockage.
6. Toujours ventiler et quitter la zone immédiatement après toute fuite de CO<sub>2</sub>.
7. Ne raccordez jamais une bouteille de gaz CO<sub>2</sub> directement à un fût de bière.
8. Ne jamais laisser tomber ou jeter une bouteille de CO<sub>2</sub>.
9. Ne branchez jamais un fût sans au moins un déclencheur de sécurité. Il y a deux mécanismes de sécurité dans le système de pression;
  - Un à ou sur le régulateur de CO<sub>2</sub>.
  - L'un au ou sur le coupleur de récipient de produit dans la conduite de gaz sous pression.

**Remarque: Le régulateur et le coupleur de fûts fournis avec cet appareil sont inclus de tels mécanismes de sécurité.**

#### ATTENTION: LE CO<sub>2</sub> PEUT ÊTRE DANGEREUX!

S'il devient difficile de respirer et/ou si la tête commence à faire mal, des concentrations anormales de dioxyde de carbone (CO<sub>2</sub>) peuvent être présentes dans la région.

#### FERMER LA VANNE PRINCIPALE SUR LE CYLINDRE DE CO<sub>2</sub>, VENTILER ET LAISSER LA CHAMBRE IMMÉDIATEMENT!

La bière est facilement disponible avec le refroidisseur de Keg de Danby, cependant, il n'est pas destiné à être disponible pour les personnes n'ayant pas l'âge légal pour consommer de la bière. Danby n'assume aucune responsabilité pour l'utilisation illégale ou la consommation de la bière.

#### VEUILLEZ BOIRE RESPONSABLEMENT ET S'IL VOUS PLAÎT NE PAS BOIRE ET CONDUIRE!

#### ATTENTION

#### ATTENTION: LE CO<sub>2</sub> PEUT ÊTRE DANGEREUX!

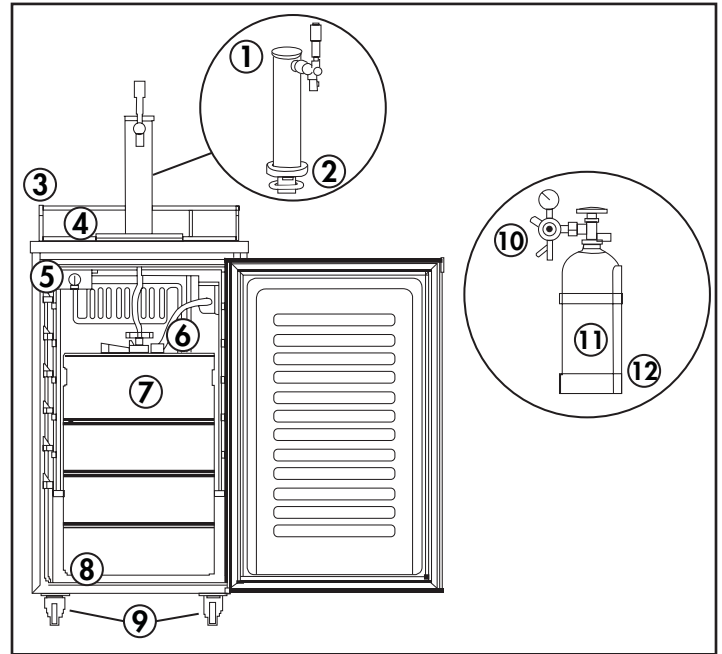
**Les bouteilles de CO<sub>2</sub> contiennent du gaz comprimé à haute pression qui peut être dangereux s'il n'est pas manipulé correctement. Assurez-vous de lire et de comprendre toutes les procédures de sécurité pour les bouteilles de CO<sub>2</sub> avant l'installation.**

**GARDEZ CES INSTRUCTIONS!**

# INSTRUCTIONS D'INSTALLATION

## CARACTÉRISTIQUES

1. Tour de bière
2. Joint en caoutchouc (peut ne pas être requis dans toutes les configurations)
3. Garde-corps
4. Bac de récupération
5. Cadran du thermostat
6. Coupleur pour le fût
7. Fût de bière (non inclus)
8. Plaque de support en métal
9. Roulettes
10. Régulateur de CO<sub>2</sub>
11. Réservoir de CO<sub>2</sub>
12. Support de réservoir de CO<sub>2</sub>



## AVANT D'UTILISER VOTRE REFROIDISSEUR DE FÛT

- Retirez l'emballage extérieur et intérieur.
- Vérifiez que vous avez toutes les pièces suivantes:
  - 2 garde-corps
  - 1 bac d'égouttage (2 pièces)
  - 1 support de réservoir de CO<sub>2</sub>
  - 1 régulateur de CO<sub>2</sub>
  - 1 réservoir de CO<sub>2</sub> (vide)
  - 1 tuyau de ligne de gaz CO<sub>2</sub> (couleur)
  - 1 tuyau de bière
  - 1 coupleur de fût de bière
  - 1 tour de bière
  - 1 poignée de robinet
  - 1 plaque métallique pour le fond de l'armoire
  - 3 étagères
  - 1 pince en acier pour tuyau coloré
  - 2 rondelles en plastique pour roulettes avant
  - 4 roulettes (2 avant avec serrures)

**Remarque:** Cet appareil comprend un coupleur de prise American Sankey uniquement.

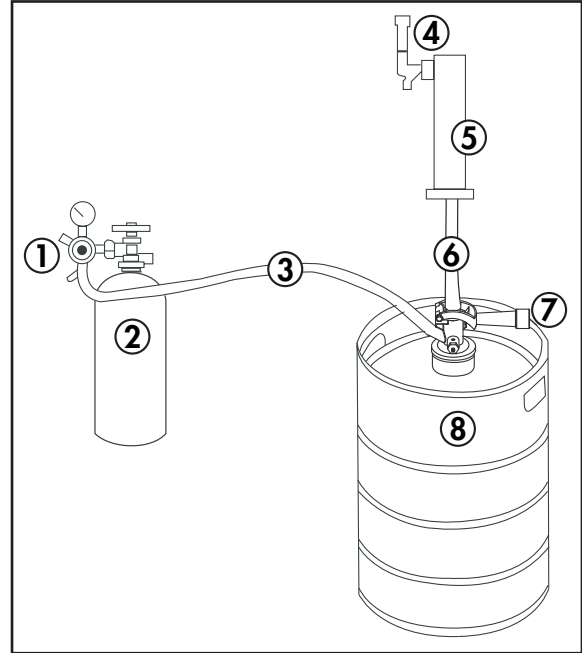
## EMPLACEMENT D'INSTALLATION

- Placez l'appareil sur un sol suffisamment solide pour le supporter lorsqu'il est complètement chargé.
- Ne placez pas l'appareil à la lumière directe du soleil ou à proximité de sources de chaleur, telles qu'une cuisinière ou un radiateur, car cela peut augmenter la consommation électrique. Des températures ambiantes froides extrêmes peuvent également empêcher l'appareil de fonctionner correctement.
- N'utilisez pas l'appareil près de l'eau, par exemple dans un sous-sol humide ou près d'un évier.
- Cet appareil est destiné à une utilisation en intérieur uniquement. Il n'est pas conçu pour être installé à l'extérieur, y compris dans les endroits où la température n'est pas contrôlée (garages, porches, véhicules, etc.).
- Avant de brancher l'appareil à une source d'alimentation, laissez-le reposer pendant environ 6 heures. Cela réduira la possibilité d'un dysfonctionnement du système de refroidissement lors de la manipulation pendant le transport.
- Cet appareil est destiné uniquement à une installation autonome et n'est pas conçu pour être intégré dans une armoire ou un comptoir. La construction de cet appareil peut entraîner un dysfonctionnement.

## INSTRUCTIONS D'INSTALLATION

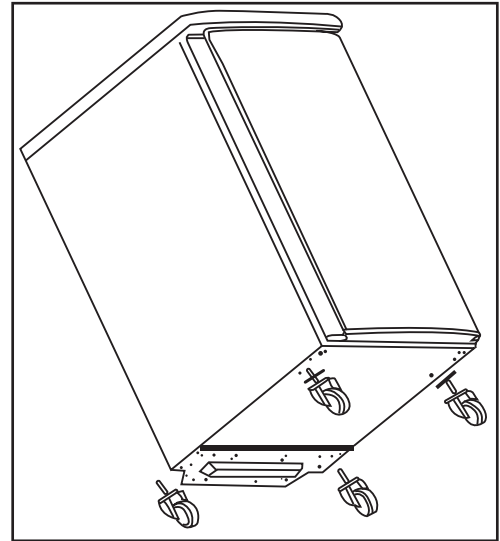
### DIAGRAMME D'INSTALLATION

1. Régulateur de CO2
2. Réservoir de gaz CO2
3. Tuyau de CO2 coloré
4. Assemblage de robinet
5. La tour
6. Tuyau transparent
7. Coupleur
8. Tonnelet



### INSTRUCTIONS D'INSTALLATION DE ROULETTES

Installez les quatre roulettes. Les deux roulettes verrouillables doivent être placées à l'avant. Quatre trous de vis ont été pré-perçés dans le bas de l'armoire à chaque coin pour chaque roulette. Mettez les rondelles en plastique fournies sur les roulettes avant lors de leur installation.



### FREINS À ROULETTES

Les deux roulettes avant sont fournies avec des freins pour s'assurer que l'appareil ne bouge pas excessivement pendant son utilisation. Il est recommandé d'engager les freins pendant que l'appareil est utilisé pour éviter d'endommager l'appareil, son contenu ou ses biens personnels.





## INSTRUCTIONS D'INSTALLATION

### INSTALLATION DE SUPPORT DE RÉSERVOIR DE CO<sub>2</sub>

Installez le support métallique sur les quatre goujons situés sur la paroi arrière extérieure de l'armoire.

Alignez les trous du support avec les goujons et poussez fermement.



### INSTALLATION DU RÉSERVOIR DE CO<sub>2</sub> ET DU RÉGULATEUR DE CO<sub>2</sub>

Le réservoir de CO<sub>2</sub> ne vient pas rempli. Le réservoir doit être rempli de CO<sub>2</sub> avant utilisation.

Placez le réservoir chargé dans le support.

Fixez le régulateur de CO<sub>2</sub> au réservoir en tournant l'écrou du régulateur sur la valve du réservoir, en vous assurant que la rondelle est bien insérée dans l'écrou de raccordement. Serrez bien à l'aide d'une clé à molette (non fournie) et assurez-vous qu'il n'y a pas de fuite, c'est-à-dire sans sifflement lorsque le CO<sub>2</sub> est allumé.



### INSTALLATION DE LA CONDUITE D'AIR CO<sub>2</sub> ET CONNEXION AU RÉGULATEUR DE CO<sub>2</sub>

Retirez la prise située à l'arrière de l'armoire, dans le coin supérieur gauche. Gardez la prise pour une utilisation ultérieure convertir l'appareil à un réfrigérateur.

Faire passer la conduite de gaz à travers l'armoire et sortir à travers le trou non couvert.

Attachez l'extrémité ouverte du tuyau à la connexion de cannelure de tuyau sur le régulateur. Fixez le tuyau en utilisant une pince fournie. Utilisez une pince ou un tournevis pour serrer la pince pour éviter les fuites.





## INSTRUCTIONS D'INSTALLATION

### INSTALLATION DE LA TOUR DE BIÈRE

- Retirez le bouchon du haut de l'armoire du réfrigérateur en le tournant et en le tirant. Gardez la prise pour une utilisation ultérieure pour convertir l'appareil à un réfrigérateur.
- Détachez la ligne de la bière (tuyau transparent) de la tour et insérez la ligne de bière et l'écrou à oreilles à travers le trou non couvert sur le dessus de l'armoire.
- Fixez l'assemblage de la tour à bière au sommet de l'armoire en appuyant et en tournant la tour pour la verrouiller en place. Assurez-vous que le robinet est aligné avec l'avant de l'appareil.
- Le joint en caoutchouc peut être utilisé pour resserrer la connexion entre la tour et le refroidisseur si nécessaire. Si la tour à bière ne tourne pas pour se verrouiller, essayez de retirer le joint en caoutchouc. Le joint en caoutchouc peut ne pas être requis dans toutes les configurations.

**Remarque:** Si le robinet fuit ou si la bière est très mousseuse, assurez-vous que les rondelles à l'intérieur du robinet sont intactes. Remplacez les rondelles avec des pièces de rechange du sac d'accessoires, si nécessaire.

### CLÉ DE ROBINET

La clé à robinet fournie sert à retirer ou à resserrer la connexion du robinet. Si la bière ne coule pas librement, utilisez la clé pour retirer le robinet pour le nettoyer. Si la connexion du robinet fuit, utilisez la clé pour serrer la connexion du robinet.

### POIGNÉE DE ROBINET EN PLASTIQUE

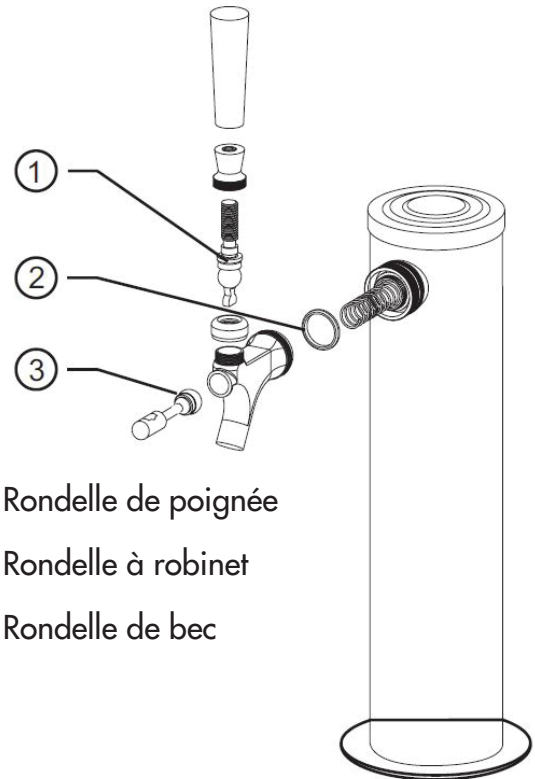
Fixez la poignée en plastique noir au sommet du robinet. Tenez l'écrou en argent en dessous afin qu'il ne tourne pas. S'il y a un petit égouttement du robinet, l'écrou en argent peut être trop serré. Dévissez l'écrou argent dans le sens inverse des aiguilles d'une montre d'un tour.

### INSTALLATION DE LA PLAQUE DE PROTECTION EN MÉTAL

La plaque métallique de protection doit être installée sur le fond de l'intérieur de l'armoire. Cette plaque doit toujours être installée lorsqu'un tonneau est en place pour protéger le plancher de l'armoire contre les dommages.

### INSTALLATION DU FÛT DE BIÈRE

- Deux personnes devraient soulever le fût pour éviter les blessures au dos
- Placez le fût directement devant la porte ouverte.
- En utilisant les poignées de fût, soulevez l'avant du fût juste assez pour que l'extrémité avant repose sur le bord avant de l'armoire inférieure du refroidisseur de fût.
- Saisissez les poignées du fût et faites-le glisser jusqu'au fond de l'armoire.



1. Rondelle de poignée
2. Rondelle à robinet
3. Rondelle de bec

## INSTRUCTIONS D'INSTALLATION

### INSTALLATION DU TUYAU DE LIGNE D'AIR DE CO<sub>2</sub>

Attachez l'extrémité du tuyau de ligne d'air coloré au raccord de tuyau sur le côté du coupleur. Assurez-vous que la vanne reed est insérée dans la connexion, numéro 4 sur l'image ci-dessous.

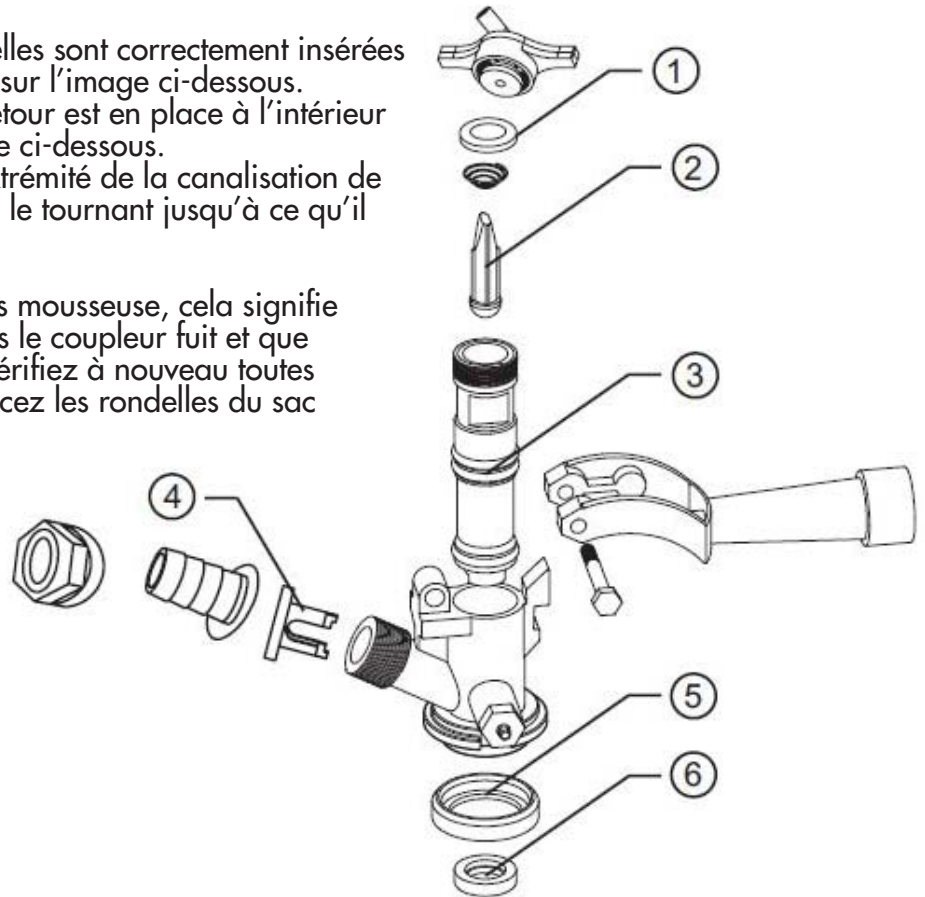
Si, après l'assemblage, la bière ne coule pas, assurez-vous que la soupape à clapet comporte un petit trou. S'il n'y a pas de trou dans la soupape à clapet, le CO<sub>2</sub> ne peut pas entrer dans la canalisation et la bière ne coulera pas.

### CONNEXION DE LA TOUR DE BIÈRE AU COUPLEUR

- Assurez-vous que toutes les rondelles sont correctement insérées dans le coupleur, comme indiqué sur l'image ci-dessous.
- Assurez-vous que le clapet anti-retour est en place à l'intérieur du coupleur, numéro 2 sur l'image ci-dessous.
- Placer l'écrou à oreilles fixé à l'extrémité de la canalisation de bière dans le haut du coupleur en le tournant jusqu'à ce qu'il soit serré.

Si, après assemblage, la bière est très mousseuse, cela signifie probablement qu'une connexion dans le coupleur fuit et que de l'air pénètre dans les conduites. Vérifiez à nouveau toutes les connexions du coupleur et remplacez les rondelles du sac d'accessoires si nécessaire.

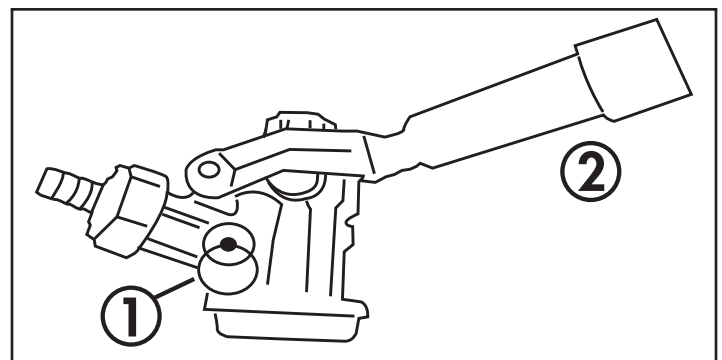
1. Rondelle de soupape
2. Soupape de retenue
3. Rondelle de type O
4. Soupape à clapets
5. Rondelle de soupape
6. Rondelle de soupape



### INSTALLATION DU COUPLEUR DE FÛT

Insérez le coupleur de fût dans le col de verrouillage du fût de bière et tournez-le dans le sens des aiguilles d'une montre pour le verrouiller en position, en vous assurant que la poignée du coupleur est en position fermée, avec la poignée vers le haut.

1. Soupape de décharge de pression du coupleur
2. Poignée en position fermée

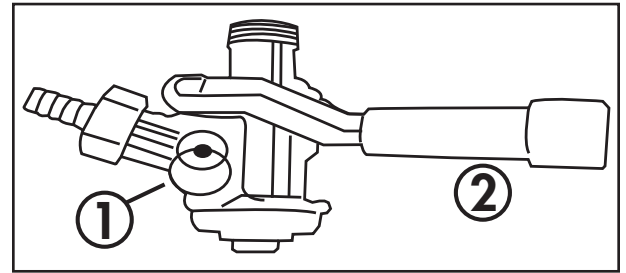


## INSTRUCTIONS D'UTILISATION

### COMMENT TAPER UN FÛT DE BIÈRE

- Assurez-vous que le CO<sub>2</sub> est éteint et que la soupape du régulateur est en position fermée.
- Tirer et relâcher la soupape de décharge de pression sur le coupleur pour purger toute pression d'air.
- Assurez-vous que la poignée du robinet est en position fermée.
- Tirez la poignée du coupleur vers l'extérieur et vers le bas jusqu'à ce qu'elle se verrouille dans sa position ouverte. Les dents sous le coupleur mordront dans le col de verrouillage du fût de bière.

**Remarque:** Si un fût est très haut, il peut être nécessaire de connecter le coupleur au fût avant d'insérer le fût dans le refroidisseur de fût.



1. Soupape de décharge de pression du coupleur
2. Poignée en position ouverte

### OUVERTURE DE LA VANNE PRINCIPALE DU RÉSERVOIR DE CO<sub>2</sub>

- Assurez-vous que la vanne d'arrêt secondaire (illustrée ci-dessous en position "ouverte") est fermée. Pour ouvrir la vanne principale de la bouteille de CO<sub>2</sub>, tournez lentement la vanne principale dans le sens inverse des aiguilles d'une montre jusqu'à ce qu'elle soit complètement ouverte.
- Notez que l'aiguille sur la jauge du régulateur commence à grimper.

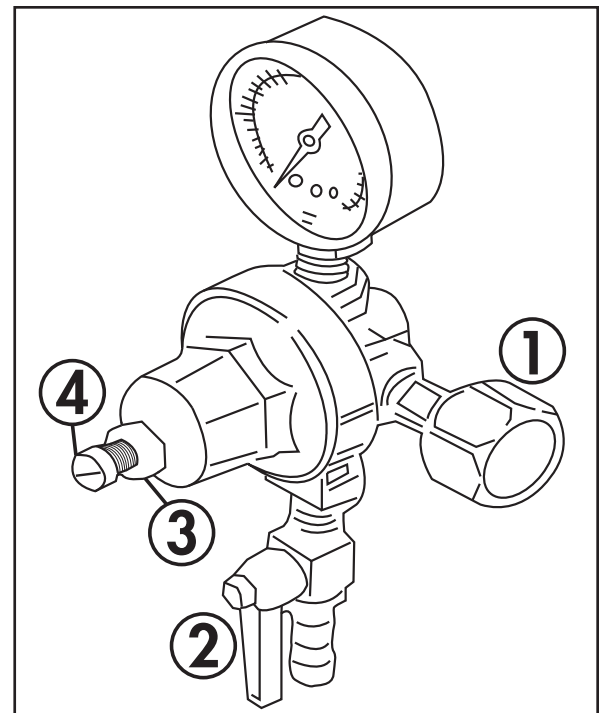
### RÉGLAGE DU RÉGULATEUR DE CO<sub>2</sub>

La jauge surveille la pression interne des fûts et doit être ajustée pour lire entre 8-12 PSI. La pression peut être ajustée au besoin. Après avoir ajusté le PSI, attendez 5 à 10 minutes avant de verser une autre bière pour permettre à la pression de s'équilibrer.

- Si la bière est très mousseuse, essayez de baisser la pression.
- Si le débit de bière est très faible, essayez d'augmenter la pression.

1. Desserrez le contre-écrou.
2. Tournez la vis de réglage avec un tournevis plat.
  - Pour augmenter la pression, tournez la vis dans le sens des aiguilles d'une montre.
  - Pour diminuer la pression, tournez la vis dans le sens inverse des aiguilles d'une montre.
3. Attendre plusieurs minutes pour que le fût soit correctement mis sous pression avant d'ajuster la pression davantage. La jauge du régulateur peut tomber pendant que cela se produit.
4. Resserrez le contre-écrou pour vous assurer que la pression ne soit pas réglée accidentellement.

**Remarque:** Écoutez le sifflement le long de toutes les connexions pour identifier s'il y a des fuites.



1. Connexion au réservoir CO<sub>2</sub>
2. Vanne d'arrêt (position ouverte)
3. Contre-écrou
4. Vis de réglage

## INSTRUCTIONS D'UTILISATION

### DISPERSION DE BIÈRE

- Garder les tonnelets de bière réfrigérés en tout temps.
- Ne laissez jamais les lignes de bière sécher.
- Utilisez de la verrerie propre avant de verser.
- Maintenez le verre à un angle de 45°, lorsqu'il est plein aux 2/3, commencez à redresser le verre lorsque le verre se remplit.
- Assurez-vous toujours que la poignée du robinet est complètement enfoncée.

**Remarque:** Le compartiment réfrigérateur ne peut pas accueillir le fût en fûts biseautés "Coors".

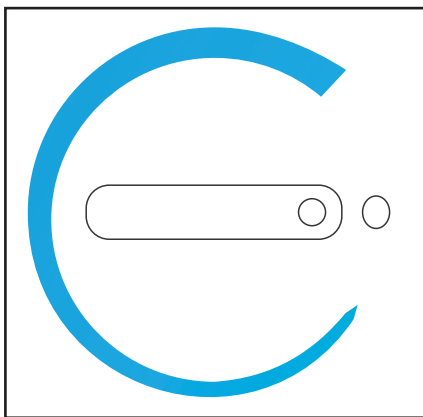
**Remarque:** Notre refroidisseur de fût accepte les fûts domestiques d'un diamètre allant jusqu'à 16-1/8" et d'une hauteur allant jusqu'à 23-3/8". Vérifiez auprès de votre distributeur pour vous assurer que le fût est de la bonne taille.

**Remarque:** Il est important de laisser reposer le fût pendant 2 heures avant de le tapoter.

### RÉGLAGE DE LA TEMPÉRATURE

La température est contrôlée en ajustant le bouton de commande du thermostat.

- La partie la plus mince du cadran est le réglage le plus chaud.
- La partie la plus épaisse du cadran est le réglage le plus froid.
- Pour désactiver le refroidissement, tournez le bouton de commande sur la position "0" (OFF).



### DÉGIVRAGE AUTOMATIQUE

Il n'est pas nécessaire de dégivrer le refroidisseur de fût. L'eau de dégivrage s'accumule et passe à travers la sortie de vidange dans la paroi arrière dans un bac situé au-dessus du compresseur, où elle s'évapore.

**Remarque:** Si l'appareil est débranché, l'alimentation est coupée ou éteinte, attendez 3 à 5 minutes avant de redémarrer l'appareil. S'il y a une tentative de redémarrage avant cette temporisation, le compresseur peut ne pas démarrer.

### CONVERSION EN RÉFRIGÉRATEUR

1. Tournez le bouton de commande sur la position "OFF".
2. Fermez la vanne principale sur le cylindre de CO<sub>2</sub>.
3. Fermez la vanne d'arrêt secondaire sur le tuyau du régulateur.
4. Fermez la connexion entre le fût de bière et le coupleur de fût.
5. Égoutter toute la bière restante des lignes. (Nous recommandons le nettoyage à ce stade, veuillez consulter la section soins et entretien).
6. Débrancher la conduite de bière et la conduite de gaz CO<sub>2</sub> du coupleur de fût.
7. Retirez le fût de bière.
8. Retirez le coupleur de fût.
9. Débranchez la conduite de gaz de la bouteille de CO<sub>2</sub>.
10. Retirez la conduite de gaz CO<sub>2</sub> de la prise de l'armoire.
11. Remplacer le bouchon de l'armoire arrière de la conduite de gaz.
12. Retirez la tour de bière. Tirez également la ligne de bière à travers le haut de l'armoire.
13. Remplacez la fiche du boîtier supérieur.
14. Ajustez la température comme désiré.

**Remarque:** Pour convertir l'appareil, la conduite de gaz doit être déconnectée du régulateur afin de pouvoir l'extraire de l'armoire.

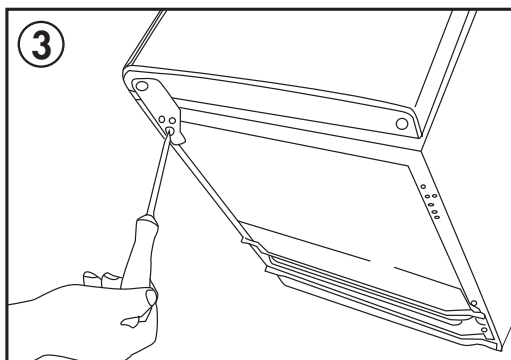
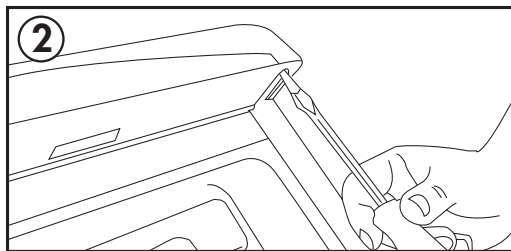
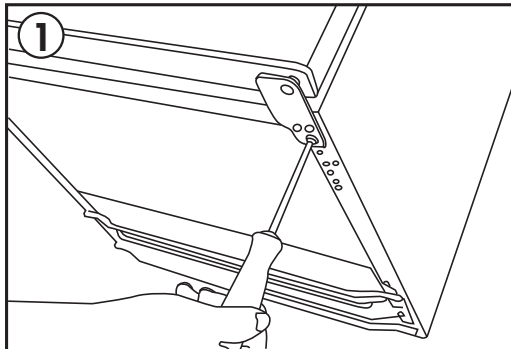
**Remarque:** Installez l'étagère en la faisant glisser dans l'endroit désiré dans l'appareil.

## INSTRUCTIONS D'INVERSION DE PORTE

Si l'appareil est placé sur le dos ou sur le côté pendant un certain temps pendant ce processus, il doit être autorisé à rester debout pendant 6 heures avant de le brancher pour éviter d'endommager les composants internes.

1. Retirez la charnière inférieure du côté inférieur droit de l'armoire. Retirez la porte de l'armoire.
2. Retirez l'axe de charnière du côté supérieur droit de l'armoire. Installez-le sur le côté supérieur gauche de l'armoire.
3. Installez la porte sur l'armoire et installez la charnière inférieure sur le côté inférieur droit de l'armoire.

**Remarque:** Assurez-vous que le haut de la porte est au même niveau que le haut de l'armoire et que le joint en caoutchouc assure une bonne étanchéité avec l'armoire tout autour avant de serrer les vis.



## NETTOYAGE DU REFROIDISSEUR DE FÛT

- Tournez la commande de température sur "OFF", débranchez le refroidisseur de fût et retirez le contenu.
- Laver les surfaces intérieures avec une solution d'eau chaude et de bicarbonate de soude. La solution devrait être 2 cuillères à soupe de bicarbonate de soude à un litre d'eau.
- Laver les étagères et se tenir avec une solution détergente douce.
- Essuyez les commandes électriques avec un chiffon sec.
- Laver l'armoire extérieure avec de l'eau chaude et un détergent liquide doux. Rincez bien et séchez avec un chiffon doux et propre.

## NETTOYAGE DES LIGNES DE BIÈRE

Les lignes de bière doivent être périodiquement nettoyées à cause d'une accumulation de sucre cristallisé qui se forme sur les raccords, les lignes et les robinets. Si l'accumulation n'est pas complètement éliminée lors d'un processus de nettoyage, elle laissera une surface insalubre pouvant contenir des microorganismes qui provoqueront une saveur indésirable et / ou provoqueront un aplatissement de la bière. Une accumulation suffisante entraînera également des problèmes de distribution allant de la bière mousseuse à la bière plate, quels que soient les niveaux de carbonatation ou la qualité ou l'âge de la bière dans le fût.

Le nettoyage programmé des canalisations et des robinets élimine l'accumulation, en protégeant l'intégrité du produit et l'état du système de distribution et des joints. La ligne de bière doit être nettoyée et rincée avec de l'eau chaude environ une fois toutes les trois semaines ou tous les autres tonneaux - ce qui arrive en premier. Le robinet doit être nettoyé à l'eau chaude une fois par semaine ou avant chaque utilisation s'il n'est pas utilisé régulièrement.

**Remarque:** Si la poignée du robinet est coincée ou difficile à déplacer, cela indique généralement qu'il faut le nettoyer. N'appliquez PAS de force pour déplacer la poignée dans cette situation, car cela pourrait endommager la poignée ou le robinet et ne serait pas couvert par la garantie.

## DÉPANNAGE

**Danby soins du consommateur : 1-800-263-2629**

### Heures d'ouverture :

Du lundi au jeudi, de 8 h 30 à 18 h, heure de l'Est

Vendredi, de 8 h 30 à 16 h, heure de l'Est

Les informations contenues dans ce manuel sont sujettes à modification sans préavis.

PROBLÈME	CAUSE POSSIBLE
L'appareil ne fonctionne pas	<ul style="list-style-type: none"><li>• Appareil débranché</li><li>• Le disjoncteur s'est déclenché ou le fusible grillé</li></ul>
Le glacière de bière pression est activé et désactivé fréquemment	<ul style="list-style-type: none"><li>• La température de la pièce est supérieure à la température normale</li><li>• La porte est trop souvent ouverte</li><li>• La porte n'est pas complètement fermée</li><li>• La commande de température n'est pas réglée correctement</li><li>• Le joint de la porte n'est pas hermétique</li><li>• Le dégagement autour de l'appareil n'est pas suffisant</li></ul>
Vibrations	<ul style="list-style-type: none"><li>• Assurez-vous que le glacière de bière pression est bien droit</li></ul>
Le glacière de bière pression semble être trop bruyant	<ul style="list-style-type: none"><li>• Le cliquetis peut provenir de l'écoulement du frigorigène, ce qui est normal</li><li>• Les gargouillements, causés par la circulation du fluide frigorigène, sont des sons normaux</li><li>• La contraction et la dilatation des parois internes peut provoquer les claquements et craquements</li><li>• Le glacière de bière pression n'est pas bien droit</li></ul>
La porte ne se ferme pas correctement	<ul style="list-style-type: none"><li>• Le glacière de bière pression n'est pas bien droit</li><li>• La porte a été inversée et n'est pas correctement montée</li><li>• Le joint est sale</li><li>• Les tablettes ou le socle se sont déplacés</li><li>• Le baril n'est pas bien centré dans l'appareil</li><li>• Les roulettes ne sont pas fixées</li></ul>
Mousse de bière excessive	<ul style="list-style-type: none"><li>• Assurez-vous que le tuyau de ligne de bière de la tour et le tuyau d'air de CO<sub>2</sub> du régulateur de CO<sub>2</sub> sont fixés aux connexions correctes sur le coupleur; Ligne de bière au sommet du coupleur, ligne d'air CO<sub>2</sub> sur le côté du coupleur</li><li>• Vérifier qu'il n'y a pas de fuites dans les connexions</li><li>• Assurez-vous que la vanne à anche dans la connexion CO<sub>2</sub> au coupleur comporte un trou</li><li>• La pression de CO<sub>2</sub> peut être trop élevée; Essayez de réduire la pression</li><li>• Assurez-vous que le clapet anti-retour est inséré dans le coupleur</li><li>• Assurez-vous que les lignes de bière sont propres</li></ul>
Faible débit de bière	<ul style="list-style-type: none"><li>• Assurez-vous que le tuyau de ligne de bière de la tour et le tuyau d'air de CO<sub>2</sub> du régulateur de CO<sub>2</sub> sont fixés aux connexions correctes sur le coupleur; Ligne de bière au sommet du coupleur, ligne d'air CO<sub>2</sub> sur le côté du coupleur</li><li>• Vérifier qu'il n'y a pas de fuites dans les connexions</li><li>• Assurez-vous que la vanne à anche dans la connexion CO<sub>2</sub> au coupleur comporte un trou</li><li>• La pression de CO<sub>2</sub> peut être trop faible; Essayez de tourner la pression vers le haut</li><li>• Assurez-vous qu'il n'y a pas de coudes ou de plis dans les tuyaux qui pourraient entraver le débit</li><li>• Assurez-vous que les lignes de bière sont propres</li></ul>



## GARANTIE LIMITÉE « À DOMICILE »

Cet appareil de qualité est garanti exempt de tout vice de matière première et de fabrication, s'il est utilisé dans les conditions normales recommandées par le fabricant.

Cette garantie n'est offerte qu'à l'acheteur initial de l'appareil vendu par Danby Products Limited (Canada) ou Danby Products Inc. (É.-U.) (ci-après « Danby ») ou par l'un de ses distributeurs agréés et elle ne peut être transférée.

### CONDITIONS

Les pièces en plastique sont garanties pendant trente (30) jours seulement à partir de la date de l'achat, sans aucune prolongation prévue.

**Premiers 12 mois** Pendant les premiers **douze (12) mois**, toutes les pièces fonctionnelles de ce produit qui s'avèrent défectueuses seront réparées ou remplacées, selon le choix du garant, sans frais à l'acheteur initial.

**Pour bénéficiaire du service** S'adresser au détaillant qui a vendu l'appareil, ou à la station technique agréée de service la plus proche, où les réparations doivent être effectuées par un technicien qualifié. Si les réparations sont effectuées par quiconque autre que la station de service agréée ou à des fins commerciales, toutes les obligations de Danby en vertu de cette garantie seront annulées.

**Limites de l'entretien à domicile** Danby se réserve le droit de limiter les limites de « Service au domicile » à proximité d'un dépôt de service agréé. Pour tout appareil nécessitant le service hors des limites de "Service à domicile" il sera la responsabilité du consommateur de transporter à ses frais au point d'achat d'origine ou un dépôt de service pour la réparation. Si l'appareil est installé à plus de **100 kilomètres (62 milles)** du centre de service le plus proche, il doit être livré à l'atelier de réparation autorisé par Danby le plus proche, car l'entretien doit uniquement être réalisé par un technicien qualifié et certifié pour effectuer un entretien couvert par la garantie de Danby.

Les frais de transport entre votre domicile et le lieu de l'entretien ne sont pas couverts par la présente garantie et doivent être acquittés par l'acheteur.

Aucune partie de la garantie ne prévoit implicitement que le fabricant sera tenu responsable des dommages subis par les aliments ou d'autres types de contenu, qu'ils soient causés par la défectuosité de l'appareil ou par son usage adéquat ou inadéquat.

### EXCLUSIONS

En vertu de la présente, il n'existe aucune autre garantie, condition ou représentation, qu'elle soit exprimée ou tacite, de façon manifeste ou intentionnelle, par Danby ou ses distributeurs agréés. De même, sont exclues toutes les autres garanties, conditions ou représentations, y compris les garanties, conditions ou représentations en vertu de toute loi régissant la vente de produits ou de toute autre législation ou règlement semblable. En vertu de la présente, Danby ne peut être tenue responsable en cas de blessures corporelles ou de dégâts matériels, y compris à l'appareil, quelle qu'en soit la cause. Danby ne peut pas être tenue responsable des dommages indirects dus au fonctionnement défectueux de l'appareil. En achetant l'appareil, l'acheteur accepte de tenir sans reproche et de décharger Danby de toute responsabilité en cas de réclamation pour toute blessure corporelle ou tout dégât matériel causé par cet appareil.

### CONDITIONS GÉNÉRALES

La garantie ou assurance ci-dessus ne s'applique pas si les dégâts ou réparations sont dus aux cas suivants :

- 1) Panne de courant.
- 2) Dommages subis pendant le transport ou le déplacement de l'appareil.
- 3) Alimentation électrique incorrecte (tension faible, câblage défectueux, fusibles incorrects).
- 4) Accident, modification, emploi abusif ou incorrect de l'appareil tel qu'une circulation d'air inadéquate dans la pièce ou des conditions de fonctionnement anormales (température extrêmement élevée ou basse).
- 5) Utilisation dans un but commercial ou industriel (à savoir, si l'appareil n'est pas installé dans un domicile résidentiel).
- 6) Incendie, dommages causés par l'eau, le vol, la guerre, une émeute, des hostilités, ou en cas de force majeure (ouragan, inondation, etc.).
- 7) Visites d'un technicien pour expliquer le fonctionnement de l'appareil au propriétaire.
- 8) Installation inappropriée (par exemple, encastrement d'un appareil autoportant, ou utilisation extérieure d'un appareil non conçu à cet effet, y compris, mais sans s'y limiter : les garages, les patios, les porches ou ailleurs, qui ne sont pas correctement isolés ou climatisés).

La preuve de la date d'achat sera requise pour les réclamations de garantie; conserver la facture de vente. Dans le cas où un service de garantie est requis, présentez la preuve d'achat à notre dépôt de service agréé.

### Service sous garantie

Service au domicile

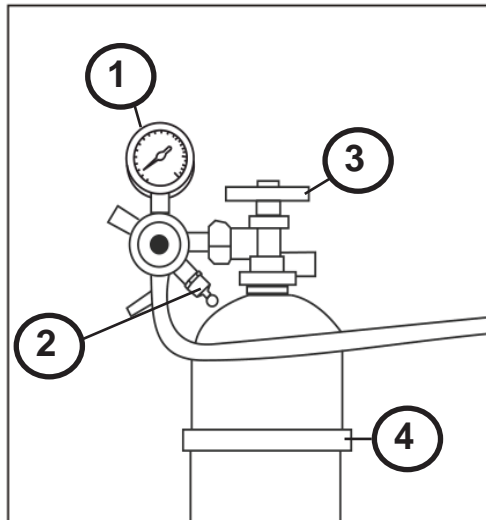
Danby Products Limited  
PO Box 1778, Guelph, Ontario, Canada N1H 6Z9  
Téléphone : (519) 837-0920 Télécopieur : (519) 837-0449

**1-800-263-2629**

02/18

Danby Products Inc.  
PO Box 669, Findlay, Ohio, U.S.A. 45840  
Téléphone : (419) 425-8627 Télécopieur : (419) 425-8629





1. Indicador del manómetro
2. Anillo de alivio de presión
3. Abrir / cerrar la válvula
4. Correa del tanque

**Asegúrese de que el tanque de CO<sub>2</sub> esté vacío antes del transporte por mensajería o por terceros.**

**PELIGRO** - Un tanque lleno o parcialmente lleno de CO<sub>2</sub> está bajo presión extrema. La liberación incontrolada de presión es extremadamente peligrosa. Las instrucciones a continuación utilizan el regulador para controlar la liberación de esta presión de una manera segura. No elimine el regulador.

1. Asegúrese de que el tanque esté seguro
2. Abra completamente la válvula girando en sentido antihorario. El indicador del manómetro mostrará un valor si el tanque contiene presión.
3. Tire suavemente el anillo de alivio de presión. Se debe oír el gas liberado.
4. El dial de presión mostrará cero cuando el depósito esté vacío. Continúe manteniendo el alivio de presión abierto hasta que el tanque esté vacío.
5. Suelte el anillo de alivio de presión.
6. Cierre completamente la válvula girándola en el sentido de las agujas del reloj.

# Bienvenido

Bienvenido a la familia Danby. Estamos orgullosos de nuestros productos de calidad y creemos en un servicio confiable. Sugerimos que lea este manual del propietario antes de conectar el nuevo aparato ya que contiene información importante sobre la operación, información de seguridad, solución de problemas y consejos de mantenimiento para garantizar la fiabilidad y longevidad de su electrodoméstico.

Visite **www.Danby.com** para acceder a herramientas de autoservicio, preguntas frecuentes y mucho más. Para asistencia adicional, llame al **1-800-263-2629**.

**Tenga en cuenta la información siguiente; Necesitará esta información para obtener un servicio bajo garantía.**

**Debe proporcionar el recibo de compra original para validar su garantía y recibir servicio.**

**Número de modelo:** \_\_\_\_\_

**Número de serie:** \_\_\_\_\_

**Fecha de compra:** \_\_\_\_\_

## Necesitas ayuda?

Antes de llamar al servicio, aquí hay algunas cosas que puede hacer para ayudarnos a servirle mejor.

### **Lea este manual del propietario:**

Contiene instrucciones para ayudarlo a usar y mantener su aparato correctamente.

### **Si recibe un aparato dañado:**

Inmediatamente póngase en contacto con el minorista o el constructor que le vendió el aparato.

### **Ahorre tiempo y dinero:**

Consulte la sección de solución de problemas al final de este manual antes de llamar. Esta sección le ayudará a resolver problemas comunes que pueden ocurrir.



1-800-26- Danby  
(1-800-263-2629)



## Importantes Instrucciones de Seguridad

### LEA Y SIGA TODAS LAS INSTRUCCIONES DE SEGURIDAD

#### REQUERIMIENTOS DE SEGURIDAD

**PELIGRO:** Riesgo de incendio o explosión. Refrigerante inflamable usado. No perforar la tubería del refrigerante.

- No utilice dispositivos mecánicos para descongelar el refrigerador.
- Asegúrese de que el personal de mantenimiento autorizado por la fábrica haga el mantenimiento para minimizar los daños o problemas de seguridad del producto.
- Consulte el manual de reparación o la guía del propietario antes de intentar reparar este producto. Todas las precauciones de seguridad deben ser seguidas.
- Deseche adecuadamente de acuerdo con las regulaciones federales o locales.
- Siga cuidadosamente las instrucciones de manipulación.

**ADVERTENCIA:** Mantenga las aberturas de ventilación, en la caja del aparato o en la estructura incorporada, sin obstrucción.

**ADVERTENCIA:** No utilice dispositivos mecánicos u otros medios para acelerar el proceso de descongelación, distintos de los recomendados por el fabricante.

**ADVERTENCIA:** No dañar el circuito refrigerante.

**ADVERTENCIA:** No utilice electrodomésticos dentro de los compartimentos de almacenamiento de alimentos del aparato, a menos que sean del tipo recomendado por el fabricante.

**PRECAUCIÓN:** Los niños deben ser supervisados para asegurarse de que no juegan con el aparato.

**PELIGRO:** Riesgo de atrapamiento de niños. Antes de tirar un electrodoméstico viejo:

- Retire la puerta o la tapa.
- Deje los estantes en su lugar para que los niños no puedan subir fácilmente dentro.

Este dispositivo está destinado a ser utilizado en aplicaciones domésticas y similares, tales como:

- Cocinas de personal en tiendas, oficinas y otros entornos de trabajo;
- Casas rurales y clientes en hoteles, moteles y otros entornos de tipo residencial;
- Cama y desayuno;
- Catering y aplicaciones similares no minoristas.

#### REQUERIMIENTOS DE SEGURIDAD

Este aparato no está diseñado para ser usado por personas (incluyendo niños) cuyas capacidades físicas, sensoriales o mentales pueden ser diferentes o reducir, o que carecen de experiencia o conocimiento, a menos que dichas personas reciban supervisión o entrenamiento para operar el aparato por una persona responsable de su la seguridad.

No almacene sustancias explosivas como aerosoles con propelente inflamable en este electrodoméstico.

#### INSTRUCCIONES DE CONEXION A TIERRA

Este aparato debe estar conectado a tierra. La puesta a tierra reduce el riesgo de descarga eléctrica proporcionando un cable de escape para la corriente eléctrica.

Este aparato tiene un cable que tiene un cable de conexión a tierra con un enchufe de 3 clavijas. El cable de alimentación debe estar enchufado en un tomacorriente que esté debidamente conectado a tierra. Si el tomacorriente es un enchufe de pared de 2 terminales, debe ser reemplazado por un tomacorriente de pared de 3 clavijas debidamente conectado a tierra. La placa de características en serie indica el voltaje y la frecuencia que el aparato está diseñado para.

**ADVERTENCIA** - El uso incorrecto del enchufe de conexión a tierra puede resultar en un riesgo de descarga eléctrica. Consulte a un electricista calificado o agente de servicio si las instrucciones de conexión a tierra no se entienden completamente o si existe duda sobre si el aparato está debidamente conectado a tierra.

**No conecte el aparato a los cables de extensión ni con otro aparato en la misma toma de corriente.** No empalme el cable de alimentación. No corte ni extraiga en ningún caso la tercera clavija de tierra del cable de alimentación. No utilice cables de extensión ni adaptadores sin conexión a tierra (dos clavijas).

Si el cable de alimentación está dañado, debe ser reemplazado por el fabricante, su agente de servicio o persona calificada similar para evitar riesgos.

**¡GUARDE ESTAS INSTRUCCIONES!**



## Importantes Instrucciones de Seguridad

### LEA Y SIGA TODAS LAS INSTRUCCIONES DE SEGURIDAD

#### ADVERTENCIA: ¡EL GAS CO<sub>2</sub> PUEDE SER PELIGROSO!

Los cilindros de CO<sub>2</sub>, cuando se cargan, contienen gas comprimido a alta presión que puede ser peligroso si no se maneja adecuadamente. Lea y comprenda los siguientes procedimientos para cilindros de CO<sub>2</sub> antes de la instalación:

1. Siempre revise el D.O.T. (Departamento de Transporte), así como el T.C. (Transporte Canadá) fecha de prueba ubicada en el cuello del cilindro antes de la instalación. Si la fecha es anterior a cinco (5) años, ¡no la use! Devuelva la bombona de gas a un proveedor de gas para que se vuelva a certificar (pueden aplicarse cargos por servicio).
2. Siempre conecte un cilindro de gas CO<sub>2</sub> a un regulador. De lo contrario, podría producirse una explosión que podría provocar la muerte o lesiones cuando se abra la válvula del cilindro.
3. Siempre siga los procedimientos correctos cuando se cambien los cilindros según los códigos locales.
4. Siempre asegure un cilindro de gas CO<sub>2</sub> en una posición "vertical".
5. Mantenga siempre un cilindro de gas CO<sub>2</sub> alejado del calor. Guarde los cilindros adicionales en un lugar fresco (preferiblemente 70°F/21°C). Asegúrelo firmemente con una cadena en posición vertical cuando lo guarde.
6. Siempre ventile y abandone el área inmediatamente después de cualquier fuga de CO<sub>2</sub>.
7. Nunca conecte un cilindro de gas CO<sub>2</sub> directamente a un barril de cerveza.
8. Nunca deje caer ni arroje un cilindro de CO<sub>2</sub>.
9. Nunca conecte un barril sin al menos una liberación de presión de seguridad. Hay dos mecanismos de seguridad en el sistema de presión;
  - Uno en o sobre el regulador de CO<sub>2</sub>.
  - Uno en el acoplador del contenedor del producto en la línea de presión de gas.

**Nota:** El regulador y el acoplador de barril suministrados con esta unidad incluyen estos mecanismos de seguridad.

#### ADVERTENCIA: ¡EL GAS CO<sub>2</sub> PUEDE SER PELIGROSO!

Si resulta difícil respirar y/o comienza a dolerle la cabeza, puede haber concentraciones anormales de dióxido de carbono (CO<sub>2</sub>) en el área.

#### ¡CIERRE LA VÁLVULA PRINCIPAL EN EL CILINDRO DE CO<sub>2</sub>, VENTILAR Y SALIR DE LA HABITACIÓN INMEDIATAMENTE!

La cerveza es fácilmente disponible con Danby's Keg Cooler, sin embargo, no está destinada a estar disponible para personas menores de edad para consumir cerveza. Danby no asume responsabilidad por el uso o consumo ilegal de la cerveza.

#### POR FAVOR, BEBA RESPONSABLEMENTE Y POR FAVOR NO BEBA Y CONDUZCA!

#### ADVERTENCIA

#### EL GAS CO<sub>2</sub> PUEDE SER PELIGROSO

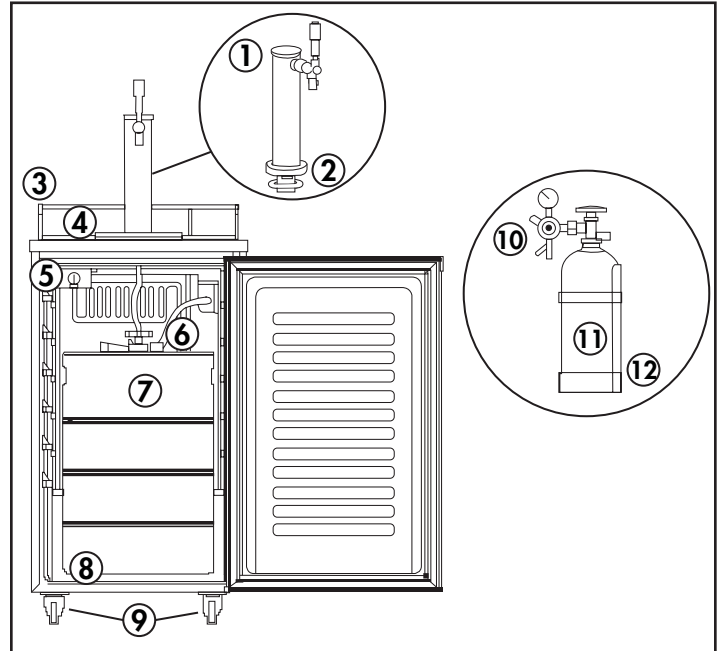
Los cilindros de CO<sub>2</sub> contienen gas comprimido a alta presión que puede ser peligroso si no se maneja adecuadamente. Asegúrese de leer y comprender todos los procedimientos de seguridad para los cilindros de CO<sub>2</sub> antes de la instalación.

**¡GUARDE ESTAS INSTRUCCIONES!**

# INSTRUCCIONES DE INSTALACIÓN

## CARACTERÍSTICAS

1. Torre de cerveza
2. Junta de goma (puede no requerirse en todas las configuraciones)
3. Barandilla
4. Bandeja de goteo
5. Dial de termostato
6. Acoplador del barril
7. Barril de cerveza (no incluido)
8. Placa de soporte de metal
9. Ruedas
10. Regulador de CO<sub>2</sub>
11. Tanque de CO<sub>2</sub>
12. Soporte de tanque de CO<sub>2</sub>



## ANTES DE USAR SU REFRIGERADOR DE BARRIL

- Retire el embalaje exterior e interior.
- Verifique para asegurarse de tener todas las siguientes partes:
  - 2 barandillas
  - 1 bandeja de goteo (2 piezas)
  - 1 tanque de CO<sub>2</sub> de apoyo
  - 1 regulador de CO<sub>2</sub>
  - 1 tanque de CO<sub>2</sub> (vacío)
  - 1 manguera de línea de gas CO<sub>2</sub> (color)
  - 1 manguera de cerveza
  - 1 acoplador de barril de cerveza
  - 1 torre de cerveza
  - 1 manija de la llave
  - 1 placa de metal para el fondo del gabinete
  - 3 estantes de alambre
  - 1 abrazadera de acero para manguera de color
  - 2 arandelas de plástico para ruedas delanteras
  - 4 ruedas (2 delanteras con cerraduras)

**Nota:** Este electrodoméstico incluye un acoplador de llaves American Sankey solamente.

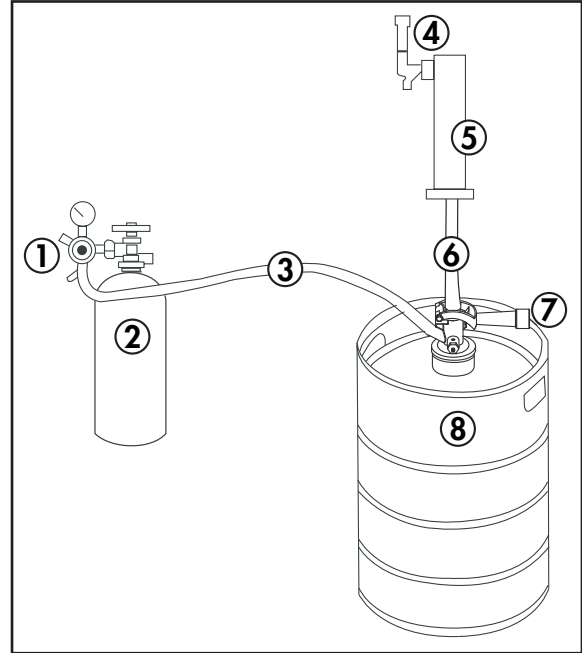
## UBICACIÓN DE LA INSTALACIÓN

- Coloque el aparato en un piso lo suficientemente fuerte como para soportarlo cuando esté completamente cargado.
- No coloque el aparato a la luz solar directa ni cerca de fuentes de calor, como una estufa o un calentador, ya que esto puede aumentar el consumo eléctrico. Las temperaturas ambientales frías extremas también pueden causar que el dispositivo funcione incorrectamente.
- No use el aparato cerca del agua, por ejemplo, en un sótano húmedo o cerca de un fregadero.
- Este aparato está diseñado solo para uso en interiores. No está diseñado para instalación en el exterior, incluso en lugares donde no se controla la temperatura (garajes, porches, vehículos, etc.).
- Antes de conectar el aparato a una fuente de alimentación, déjelo en posición vertical durante aproximadamente 6 horas. Esto reducirá la posibilidad de un mal funcionamiento en el sistema de enfriamiento debido a la manipulación durante el transporte.
- Este electrodoméstico está diseñado solo para su instalación independiente y no está diseñado para ser instalado en un gabinete o mostrador. La construcción de este dispositivo puede causar un mal funcionamiento.

## INSTRUCCIONES DE INSTALACIÓN

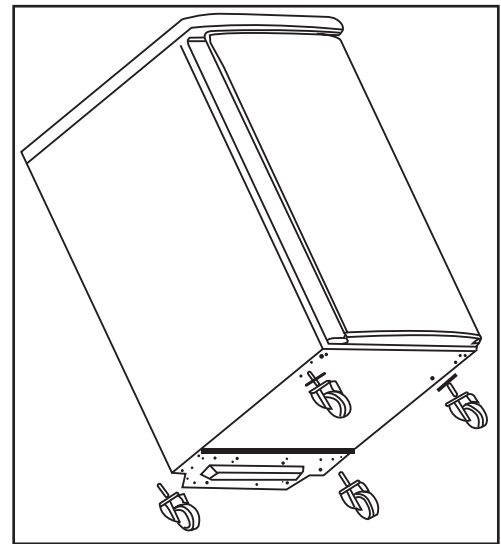
### DIAGRAMA DE INSTALACIÓN

1. Regulador de CO<sub>2</sub>
2. Tanque de CO<sub>2</sub>
3. Manguera de CO<sub>2</sub> de color
4. Montaje de grifería
5. Torre
6. Manguera transparente
7. Acoplador
8. Barrilete



### INSTRUCCIONES DE INSTALACIÓN DE LA RUEDA

Instale las cuatro rueditas. Las dos ruedas de bloqueo deben colocarse en la parte delantera. Se han taladrado previamente cuatro orificios para tornillos en la parte inferior del gabinete en cada esquina para cada rueda. Coloque las arandelas plásticas provistas en las ruedas delanteras antes de instalarlas.



### FRENOS DE LAS RUEDAS

Las dos ruedas frontales se suministran con frenos para garantizar que el electrodoméstico no se mueva excesivamente durante el uso. Se recomienda activar los frenos mientras el dispositivo está en uso para evitar daños al dispositivo, los contenidos o la propiedad personal.





## INSTRUCCIONES DE INSTALACIÓN

### INSTALACIÓN DEL SOPORTE DE TANQUE DE CO<sub>2</sub>

Instale el soporte de metal en los cuatro pernos ubicados en la pared posterior del gabinete.

Alinee los agujeros en el soporte con los pernos y empuje hacia abajo firmemente.



### INSTALACIÓN DEL TANQUE DE CO<sub>2</sub> Y EL REGULADOR DE CO<sub>2</sub>

El tanque de CO<sub>2</sub> no se llena. El tanque debe llenarse con CO<sub>2</sub> antes de su uso.

Coloque el tanque cargado en la base de soporte.

Conecte el regulador de CO<sub>2</sub> al tanque girando la tuerca del regulador en la válvula del tanque, asegurándose de que la arandela esté bien insertada en la tuerca de conexión. Apriete bien con una llave ajustable (no incluida) y asegúrese de que no haya fugas, es decir, que no suenen siseos cuando se enciende el CO<sub>2</sub>.



### INSTALACIÓN DE LÍNEA DE AIRE DE CO<sub>2</sub> Y CONEXIÓN AL REGULADOR DE CO<sub>2</sub>

Retire el tapón ubicado en la parte posterior exterior del gabinete, en la esquina superior izquierda. Guarde el enchufe para usarlo más adelante y conviértalo a un refrigerador.

Alimente la línea de gas a través del gabinete y hacia afuera a través del orificio descubierto.

Conecte el extremo abierto de la manguera a la conexión de la lengüeta de la manguera en el regulador. Asegure la manguera usando una abrazadera provista. Use alicates o un destornillador para apretar la abrazadera para evitar fugas.



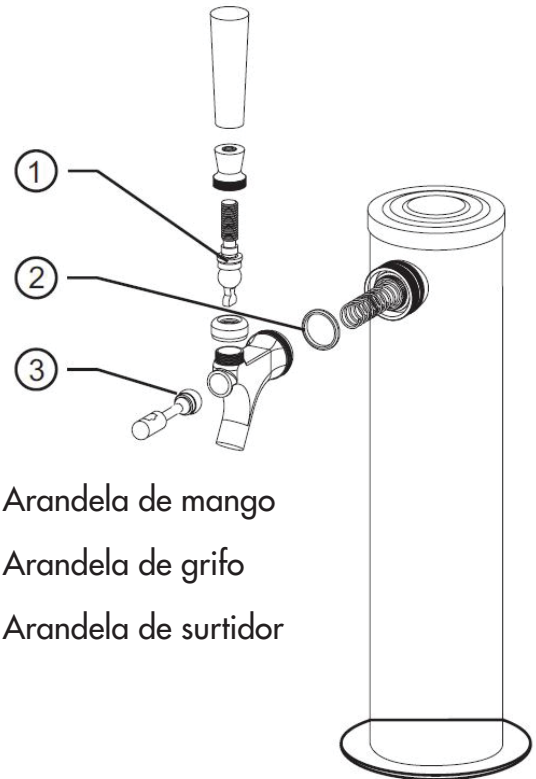


## INSTRUCCIONES DE INSTALACIÓN

### INSTALACIÓN DE LA TORRE DE CERVEZA

- Retire el tapón de la parte superior del gabinete del refrigerador girando y tirando. Guarde el enchufe para usarlo más adelante para convertir la unidad a un refrigerador.
- Desentrañe la línea de cerveza (manguera transparente) de la torre e inserte la línea de cerveza y la tuerca de mariposa a través del orificio descubierto en la parte superior del gabinete.
- Asegure el conjunto de la torre de cerveza a la parte superior del gabinete presionando hacia abajo y girando la torre para asegurarla en su lugar. Asegúrese de que el grifo esté alineado con la parte frontal del electrodoméstico.
- La junta de goma puede usarse para hacer que la conexión entre la torre y el enfriador sea más estrecha si es necesario. Si la torre de cerveza no gira para asegurar en su lugar, intente quitar la junta de goma. La junta de goma puede no ser necesaria en todas las configuraciones.

**Nota:** Si el grifo está goteando o si la cerveza está muy espumosa, asegúrese de que las arandelas dentro del grifo estén intactas. Reemplace las arandelas con piezas de repuesto de la bolsa de accesorios, si es necesario.



1. Arandela de mango
2. Arandela de grifo
3. Arandela de surtidor

### LLAVE INGLESA DE GRIFO

La llave inglesa de grifo provista es para quitar o apretar la conexión del grifo. Si la cerveza no fluye libremente, use la llave inglesa para quitar el grifo para limpiarla. Si la conexión del grifo está goteando, use la llave inglesa para apretar la conexión del grifo.

### MANGO DE GRIFO DE PLÁSTICO

Coloque el mango de plástico negro en la parte superior del grifo. Mantenga la tuerca plateada debajo para que no gire. Si hay un pequeño goteo del grifo, la tuerca plateada puede apretarse demasiado. Desatornille la tuerca de plata en sentido antihorario en una vuelta.

### INSTALACIÓN DE LA PLACA DE METAL PROTECTORA

La placa de metal protectora debe instalarse en la parte inferior del interior del gabinete. Esta placa siempre debe instalarse cuando haya un barril en su lugar para proteger el piso del gabinete contra daños.

### INSTALACIÓN DEL BARRIL DE CERVEZA

- Dos personas deben levantar el barril para evitar lesiones en la espalda
- Coloque el barril directamente en frente de la puerta abierta.
- Usando las manijas del barril, levante la parte delantera del barril lo suficiente para que el extremo delantero descanse sobre el borde frontal del gabinete inferior del enfriador de barriles.
- Agarre las manijas del barril y deslícelo hasta el fondo en el gabinete.

## INSTRUCCIONES DE INSTALACIÓN

### INSTALACIÓN DE LA MANGUERA DE LÍNEA DE AIRE DE CO<sub>2</sub>

Conecte el extremo de la manguera de la línea de aire de color a la conexión de la manguera en el lado del acoplador. Asegúrese de que la válvula de lengüeta esté insertada en la conexión, número 4 en la imagen a continuación.

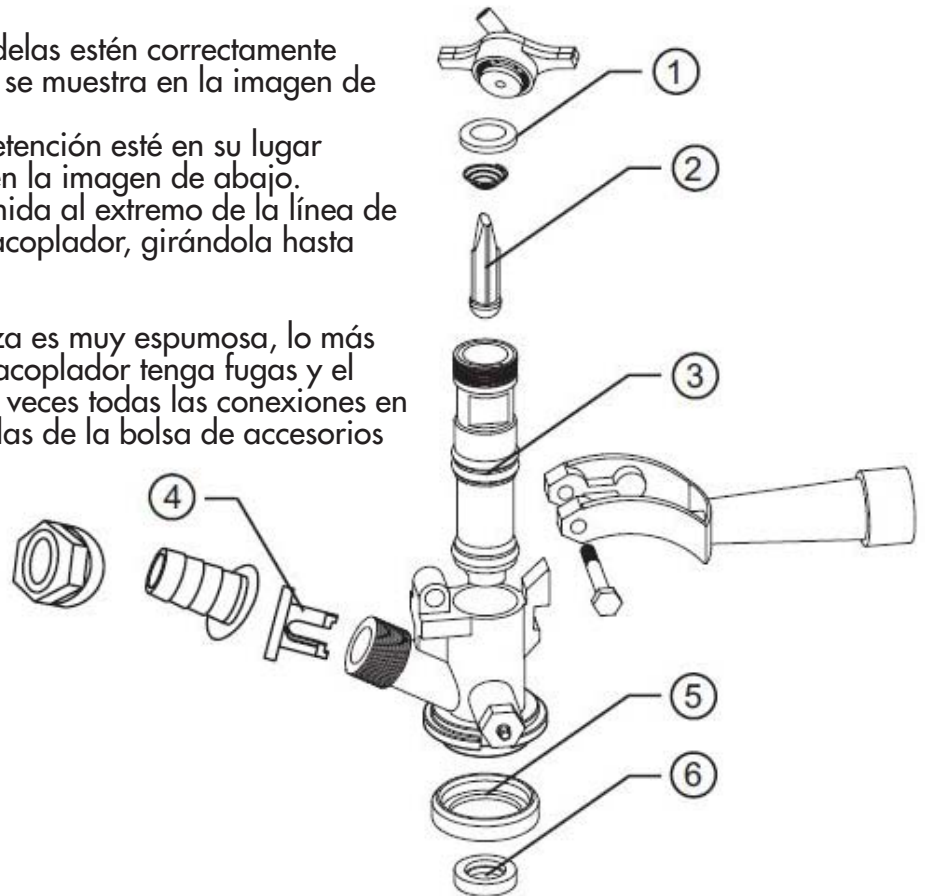
Si, después del ensamblaje, la cerveza no fluye, asegúrese de que la válvula de lengüeta tenga un pequeño orificio. Si no hay un orificio en la válvula de lengüeta, entonces el CO<sub>2</sub> no puede entrar a la línea y la cerveza no fluirá.

### CONEXIÓN DE LA TORRE DE CERVEZA AL ACOPLADOR

- Asegúrese de que todas las arandelas estén correctamente insertadas en el acoplador, como se muestra en la imagen de abajo.
- Asegúrese de que la válvula de retención esté en su lugar dentro del acoplador, número 2 en la imagen de abajo.
- Coloque la tuerca de mariposa unida al extremo de la línea de cerveza en la parte superior del acoplador, girándola hasta que quede apretada.

Si, después del ensamblaje, la cerveza es muy espumosa, lo más probable es que una conexión en el acoplador tenga fugas y el aire entre en las líneas. Verifique dos veces todas las conexiones en el acoplador y reemplace las arandelas de la bolsa de accesorios según sea necesario.

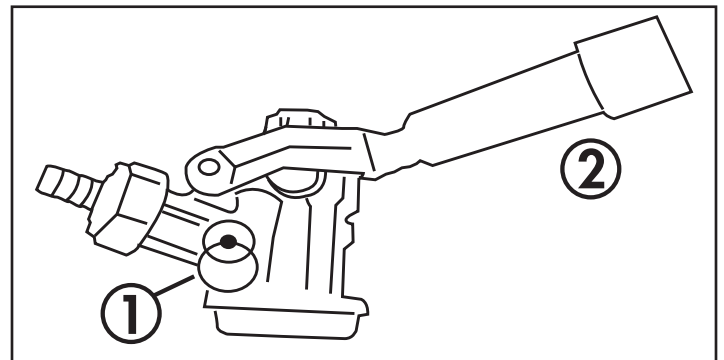
1. Arandela de válvula
2. La válvula de retención
3. Arandela tipo O
4. Válvula de caña
5. Arandela de válvula
6. Arandela de válvula



### INSTALACIÓN DEL ACOPLADOR DE BARRIL

Inserte el acoplador del barril en el cuello de bloqueo del barril de cerveza y gírelo en el sentido de las agujas del reloj para asegurarlo en su posición, asegurándose de que el mango del acoplador del barril esté en la posición cerrada, con el mango hacia arriba.

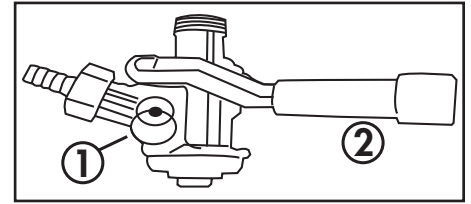
1. Válvula de liberación de presión del acoplador
2. Manejar en posición cerrada



## INSTRUCCIONES DE OPERACIÓN

### CÓMO TOCAR UN BARRIL DE CERVEZA

- Asegúrese de que el CO<sub>2</sub> esté apagado y que la válvula del regulador esté en la posición cerrada.
- Tire y suelte la válvula de liberación de presión en el acoplador para purgar cualquier presión de aire.
- Asegúrese de que la manija de la llave esté en la posición cerrada.
- Tire de la manija del acoplador hacia afuera y hacia abajo hasta que quede bloqueada en su posición abierta. Los dientes en la parte inferior del acoplador morderán en el cuello de bloqueo del barril de cerveza.



1. Válvula de liberación de presión del acoplador
2. Manija en posición abierta

**Nota:** Si un barril es muy alto, puede ser necesario conectar el acoplador al barril antes de insertar el barril en el barril enfriador.

### APERTURA DE LA VÁLVULA PRINCIPAL DEL TANQUE DE CO<sub>2</sub>

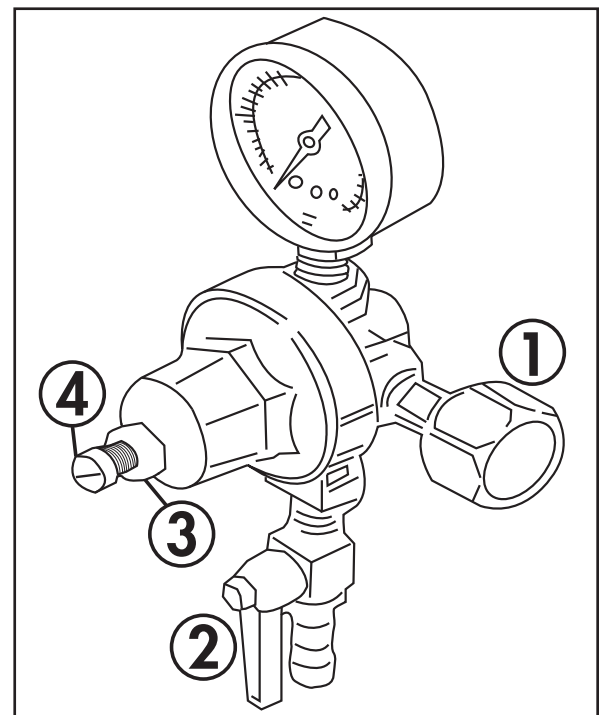
- Asegúrese de que la válvula de cierre secundaria (que se muestra debajo en la posición "abierta") esté cerrada. Para abrir la válvula principal del cilindro de CO<sub>2</sub>, gire lentamente la válvula principal en sentido antihorario hasta que esté completamente abierta.
- Observe que la aguja en el indicador del regulador comienza a subir.

### AJUSTE DEL REGULADOR DE CO<sub>2</sub>

El medidor monitorea la presión interna del barril y debe ajustarse para que lea entre 8-12 PSI. La presión se puede ajustar según sea necesario. Después de realizar cualquier ajuste en la PSI, espere de 5 a 10 minutos antes de intentar verter otra cerveza para permitir que la presión se iguale.

- Si la cerveza está muy espumosa, intente bajar la presión.
- Si el flujo de cerveza es muy débil, intente subir la presión.

1. Afloje la contratuerca.
2. Gire el tornillo de ajuste con un destornillador plano.
  - Para aumentar la presión, gire el tornillo en el sentido de las agujas del reloj.
  - Para disminuir la presión, gire el tornillo en sentido antihorario.
3. Espere unos minutos para que el barril se presurice adecuadamente antes de ajustar aún más la presión. El indicador del regulador puede caer mientras esto sucede.
4. Vuelva a apretar la contratuerca para asegurarse de que la presión no se ajuste accidentalmente.



1. Conexión al tanque CO<sub>2</sub>
2. Válvula de cierre (posición abierta)
3. Contratuerca
4. Tornillo de ajuste

**Nota:** Escuche silbidos a lo largo de todas las conexiones para identificar si hay alguna fuga.

## INSTRUCCIONES DE OPERACIÓN

### DISPENSACIÓN DE CERVEZA

- Mantenga el barril de cerveza refrigerado todo el tiempo.
- Nunca permita que las líneas de cerveza se sequen.
- Use cristalería limpia antes de verter.
- Sostenga el vidrio en un ángulo de 45°, cuando esté 2/3 lleno, comience a enderezar el vidrio cuando se llene.
- Siempre asegúrese de que la manija de la llave esté completamente hacia atrás.

**Nota:** El compartimiento del refrigerador no puede acomodar el barril biselado estilo barril "Coors".

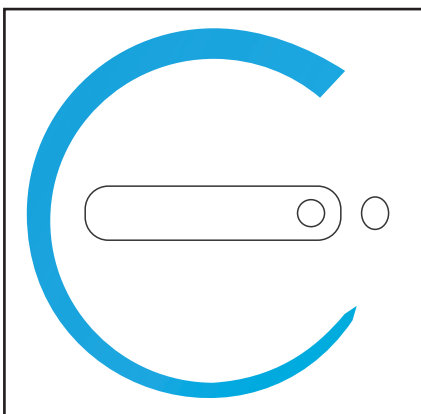
**Nota:** Nuestro enfriador de barriles acepta barriles domésticos de hasta 16-1/8" de diámetro y hasta 23-3/8" de altura. Verifique con su distribuidor para asegurarse de que el barril tenga el tamaño correcto.

**Nota:** Es importante dejar que el barril permanezca vertical y sin interrupciones durante 2 horas antes de colocar el acoplador.

### AJUSTE LA TEMPERATURA

La temperatura se controla ajustando la perilla de control del termostato.

- La parte más delgada de la esfera es la configuración más cálida.
- La parte más gruesa del cuadrante es la configuración más fría.
- Para apagar la refrigeración, gire la perilla de control a la posición "0" (OFF).



### DESCONGELACIÓN AUTOMÁTICA

No hay necesidad de descongelar el enfriador de barriles. El agua de desescarche se recoge y pasa a través de la salida de drenaje en la pared posterior a una bandeja situada encima del compresor, donde se evapora.

**Nota:** Si el dispositivo está desenchufado, la energía se pierde o se apaga, espere de 3 a 5 minutos antes de volver a encender el aparato. Si hay un intento de reiniciar antes de este tiempo de retraso, es posible que el compresor no arranque.

### CONVERTIR A UN REFRIGERADOR

1. Coloque el dial del termostato en la posición "OFF".
2. Cierre la válvula principal en el cilindro de CO<sub>2</sub>.
3. Cierre la válvula de cierre secundaria en la tubería del regulador.
4. Cierre la conexión entre el barril de cerveza y el acoplador del barril.
5. Escurra cualquier cerveza restante de las líneas. (Recomendamos limpiar en este punto, consulte la sección de cuidado y mantenimiento).
6. Desconecte la línea de la cerveza y la línea de gas CO<sub>2</sub> del acoplador del barril.
7. Retire el barril de cerveza.
8. Retire el acoplador del barril.
9. Desconecte la línea de gas del cilindro de CO<sub>2</sub>.
10. Retire la línea de gas CO<sub>2</sub> del enchufe del gabinete.
11. Reemplace el tapón del gabinete trasero de la línea de gas.
12. Retire la torre de cerveza. También jale la línea de cerveza a través de la parte superior del gabinete.
13. Reemplace el enchufe del gabinete superior.
14. Ajuste la temperatura como desee.

**Nota:** Para convertir el artefacto, la línea de gas debe estar desconectada del regulador para sacarla del gabinete.

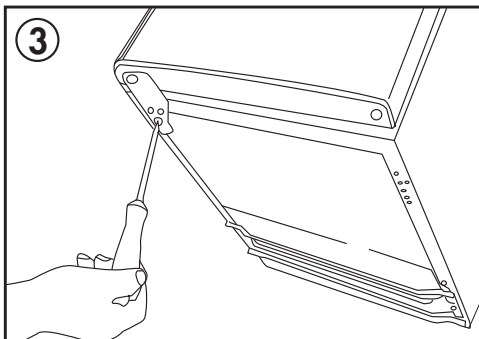
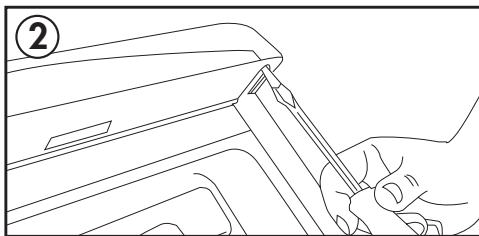
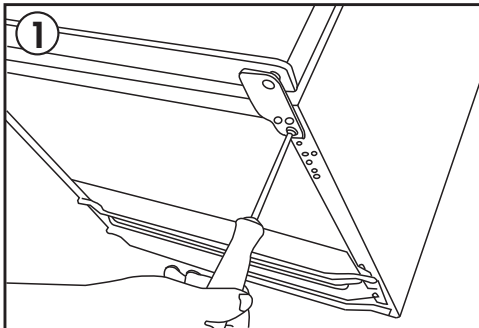
**Nota:** Instale el estante deslizándolo en el lugar deseado en el aparato.

### INSTRUCCIONES DE REVERSIÓN DE PUERTAS

Si el electrodoméstico se coloca de espaldas o de lado durante un período de tiempo prolongado durante este proceso, se debe dejar en posición vertical durante 6 horas antes de enchufarlo para evitar dañar los componentes internos.

1. Retire la bisagra inferior de la parte inferior derecha del gabinete. Retire la puerta del gabinete.
2. Retire el pasador de la bisagra del lado superior derecho del gabinete. Instálelo en el lado superior izquierdo del gabinete.
3. Instale la puerta en el gabinete e instale la bisagra inferior en la parte inferior derecha del gabinete.

**Nota:** Asegúrese de que la parte superior de la puerta esté nivelada con la parte superior del gabinete y que la junta de goma esté haciendo un buen sellado con el gabinete por completo antes de apretar los tornillos.



### LIMPIANDO EL ENFRIADOR DE BARRIL

- Coloque el control de temperatura en "OFF", desenchufe el enfriador de barriles y elimine el contenido.
- Lave las superficies interiores con agua tibia y una solución de bicarbonato de sodio. La solución debe ser de 2 cucharadas de bicarbonato de sodio a un litro de agua.
- Lave los estantes y párese con una solución de detergente suave.
- Limpie cualquier control eléctrico con un paño seco.
- Lave el gabinete exterior con agua tibia y un detergente líquido suave. Enjuague bien y seque con un paño suave y limpio.

### LIMPIANDO LAS LÍNEAS DE CERVEZA

Las líneas de cerveza deben limpiarse periódicamente debido a la acumulación de azúcar cristalizado que se forma en los accesorios, líneas y grifos. Si la acumulación no se elimina por completo en un proceso de limpieza, dejará una superficie insalubre que puede albergar microorganismos que causarán un sabor indeseable y / o harán que la cerveza se desinfla. Una acumulación suficiente también conducirá a problemas de dispensación que van desde la cerveza espumosa hasta la cerveza plana, independientemente de los niveles de carbonatación o la calidad o la edad de la cerveza en el barril.

La limpieza programada de línea y grifo elimina la acumulación, protegiendo la integridad del producto y el estado del sistema de dispensación y los sellos. La línea de cerveza debe limpiarse y enjuagarse con agua caliente aproximadamente una vez cada tres semanas o cada dos barriles, lo que ocurra primero. El grifo debe limpiarse con agua caliente una vez por semana o antes de cada uso si no se usa con regularidad.

**Nota:** Si la manija de la llave se atasca o es difícil de mover, esto generalmente indica que requiere limpieza. NO aplique fuerza para mover el mango en esta situación, ya que esto puede dañar el mango o el grifo y no estará cubierto por la garantía.

## SOLUCIÓN SUGERIDA

**Danby cuidado del consumidor: 1-800-263-2629**

### Horas de operación:

Lunes a Jueves 8:30 am - 6:00 pm Hora estándar del este

Viernes 8:30 am - 4:00 pm Hora estándar del este

La información de este manual está sujeta a cambios sin previo aviso.

PROBLEMA	POSIBLE CAUSA
El equipo no funciona	<ul style="list-style-type: none"> <li>No está enchufado</li> <li>El disyuntor de circuito se disparó o hay un fusible quemado</li> </ul>
Se apaga y se enciende frecuentemente	<ul style="list-style-type: none"> <li>La temperatura en la habitación es más alta de lo normal</li> <li>La puerta se abre con demasiada frecuencia</li> <li>La puerta no está completamente cerrada</li> <li>El control de temperatura no está bien ajustado</li> <li>La junta de la puerta no forma un cierre hermético</li> <li>La unidad no tiene el espacio libre adecuado</li> </ul>
Hay vibraciones	<ul style="list-style-type: none"> <li>Verifique que el equipo esté bien nivelado</li> </ul>
El equipo hace mucho ruido	<ul style="list-style-type: none"> <li>El traqueteo puede ser ocasionado por el flujo del líquido refrigerante, lo cual es normal</li> <li>El gorgoteo, producido por el líquido refrigerante en circulación, es normal</li> <li>La contracción y la expansión de las paredes interiores puede producir sonidos repentinos y crujidos</li> <li>El equipo no está nivelado</li> </ul>
La puerta no se cierra adecuadamente	<ul style="list-style-type: none"> <li>El equipo no está nivelado</li> <li>La puerta fue invertida y quedó mal instalada</li> <li>La junta está sucia</li> <li>Las repisas o el soporte no están en su posición correcta</li> <li>El barril no está debidamente centrado en la unidad</li> <li>Las ruedas no están instaladas</li> </ul>
Excesiva espuma de cerveza	<ul style="list-style-type: none"> <li>Asegúrese de que la manguera de la línea de cerveza de la torre y la manguera de la línea de aire CO<sub>2</sub> del regulador de CO<sub>2</sub> estén conectadas a las conexiones correctas en el acoplador; Línea de cerveza a la parte superior del acoplador, línea de aire de CO<sub>2</sub> al lado del acoplador</li> <li>Compruebe que no hay fugas en ninguna conexión</li> <li>Asegúrese de que la válvula de láminas en la conexión de CO<sub>2</sub> en el acoplador tiene un orificio en ella</li> <li>La presión de CO<sub>2</sub> puede ser demasiado alta; Intenta bajar la presión</li> <li>Asegúrese de que la varilla de plástico del carrete de la válvula esté insertada en el acoplador</li> <li>Asegúrese de que la válvula de retención esté insertada en el acoplador</li> <li>Asegúrese de que las líneas de cerveza estén limpias</li> </ul>
Flujo de cerveza débil	<ul style="list-style-type: none"> <li>Asegúrese de que la manguera de la línea de cerveza de la torre y la manguera de la línea de aire CO<sub>2</sub> del regulador de CO<sub>2</sub> estén conectadas a las conexiones correctas en el acoplador; Línea de cerveza a la parte superior del acoplador, línea de aire de CO<sub>2</sub> al lado del acoplador</li> <li>Compruebe que no hay fugas en ninguna conexión</li> <li>Asegúrese de que la válvula de láminas en la conexión de CO<sub>2</sub> en el acoplador tiene un orificio en ella</li> <li>La presión de CO<sub>2</sub> puede ser demasiado alta; Intenta aumentar la presión</li> <li>Asegúrese de que no haya curvas o torceduras en ninguna de las mangueras que puedan impedir el flujo</li> <li>Asegúrese de que las líneas de cerveza estén limpias</li> </ul>



## GARANTÍA LIMITADA "A DOMICILIO"

Este producto de calidad está garantizado contra defectos de fabricación, incluyendo partes y mano de obra, siempre y cuando la unidad se utilice bajo las condiciones normales de funcionamiento para las que fue diseñado. Esta garantía está solamente disponible para la persona que haya comprado originalmente esta unidad directamente de Danby Products Limited (Canada) o Danby Products Inc. (U.S.A.) (en adelante "Danby") o uno de sus distribuidores autorizados, y no es transferible.

### CONDICIONES DE LA GARANTÍA

Las piezas plásticas, se autorizan por treinta (30) días solamente a partir de la fecha de la compra, sin las extensiones proporcionadas.

**Primeros 12 meses** Durante los primeros **doce (12) meses**, cualquier parte en buen estado de este producto que resulte defectuosa, incluyendo cualquier sistema sellado, será reparado o reemplazado, a opción del fabricante, sin cargo para el comprador ORIGINAL.

**Para obtener servicio** Comuníquese con el distribuidor donde haya comprado la unidad, o llame al Taller de Servicio Autorizado más cercano, donde debe ser reparada por un técnico calificado. Si esta unidad es reparada en otro lugar que no sea un Taller de Servicio Autorizado, o si la unidad se utiliza para aplicaciones comerciales, Danby no se hará responsable de ninguna forma y la garantía será anulada.

**Límites del servicio técnico a domicilio** Danby se reserva el derecho de limitar la cobertura de "Servicio en Domicilio" sujeto a la proximidad de un **Taller de Servicio Autorizado**. Para todo artefacto que requiera servicio fuera del área limitada de "Servicio en Domicilio", el cliente será responsable por transportar dicho artefacto hasta el Taller de Servicio Autorizado más cercano. Si el electrodoméstico está instalado en un lugar que se encuentra a **100 kilómetros (62 millas)** o más del centro de servicios más cercano, se debe llevar la unidad al Centro de servicios Danby autorizado más cercano, ya que dicho servicio sólo puede realizarlo un técnico calificado y certificado por Danby para prestar servicios de garantía.

Los cargos por transporte desde y hacia el lugar en que se efectúe el servicio técnico no están cubiertos por esta garantía y son de responsabilidad del comprador.

Nada dentro de esta garantía implica que Danby será responsable por cualquier daño que hayan sufrido los alimentos u otros contenidos de este aparato, ya sea debido a un defecto del aparato, o su uso, adecuado o inadecuado.

### EXCLUSIONES

Salvo lo aquí indicado por Danby, no existen otras garantías, condiciones o representaciones, explícitas o implícitas, concretas o intencionales por parte de Danby o sus distribuidores autorizados y todas las demás garantías, condiciones o representaciones, incluyendo cualquier garantía, condiciones o representaciones bajo cualquier Acta de Venta de Productos o legislación o estatuto similar, quedan de esta forma expresamente excluidas. **Salvo lo aquí indicado, Danby no serán responsables por ningún daño a personas o bienes, incluyendo la propia unidad, sin importar su causa, o de ningún daño indirecto causado por el desperfecto de la unidad, y al comprar esta unidad, el comprador acepta por la presente, indemnizar y proteger a Danby contra cualquier reclamo por daños a personas o bienes causados por la unidad.**

### CONDICIONES GENERALES

No se considerará ninguna de estas garantías o seguros cuando el daño o la necesidad de reparación sea el producto de los siguientes casos:

- 1) Falla del suministro eléctrico.
- 2) Daños en tránsito o durante el transporte de la unidad.
- 3) Alimentación incorrecta, como bajo voltaje, instalación eléctrica defectuosa o fusibles inadecuados.
- 4) Accidente, modificación, abuso o uso incorrecto del artefacto, tal como insuficiente ventilación del ambiente o condiciones de operación anormales (temperatura ambiente extremadamente alta o baja).
- 5) Utilización comercial o industrial (v.g., si el electrodoméstico no está instalado en una vivienda particular).
- 6) Incendio, daños por agua, robo, guerra, disturbios, hostilidades, actos de fuerza mayor como huracanes, inundaciones, etc.
- 7) Pedidos de servicio debido a desinformación del usuario.
- 8) Instalación inadecuada (v.g., instalación empotrada de un electrodoméstico diseñado como unidad independiente o uso de un electrodoméstico al aire libre que no esté aprobado para dicho fin, incluyendo pero no limitado a: garajes, patios, porches o en cualquier lugar que no esté bien aislado o controlado por el clima).

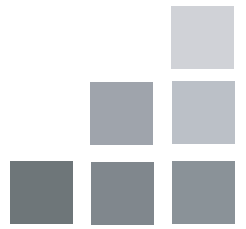
Se requerirá una prueba de la fecha de compra para reclamaciones de garantía; Retener las facturas de venta. En el caso de que se requiera servicio de garantía, presente el comprobante de compra a nuestro depósito de servicio autorizado.

**Servicio de Garantía**  
Servicio en Domicilio

Danby Products Limited  
PO Box 1778, Guelph, Ontario, Canada N1H 6Z9  
Telephone: (519) 837-0920 FAX: (519) 837-0449

**1-800-263-2629**  
04/17

Danby Products Inc.  
PO Box 669, Findlay, Ohio, U.S.A. 45840  
Telephone: (419) 425-8627 FAX: (419) 425-8629



---

**MODEL • MODÈLE • MODELO**

**DKC054A1BSLDB**