

**CL24WC2**

34.5" x 23.88" x 23.38" (H x W x D)

46 bottle dual zone wine cellar for built-in or freestanding use, with seamless stainless steel trimmed low-e glass door

**Highlights:**

Chill white and sparkling wine while preserving red in two independent temperature zones

Seamless stainless steel trim on glass door brings elevated style under the counter

Energy efficient low-e glass door protects stored wine

Flexible design allows built-in or freestanding use in any 24" space

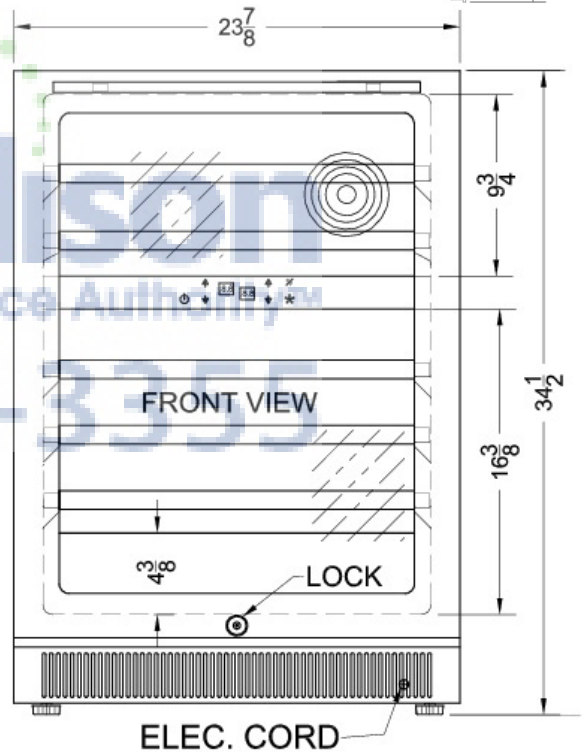
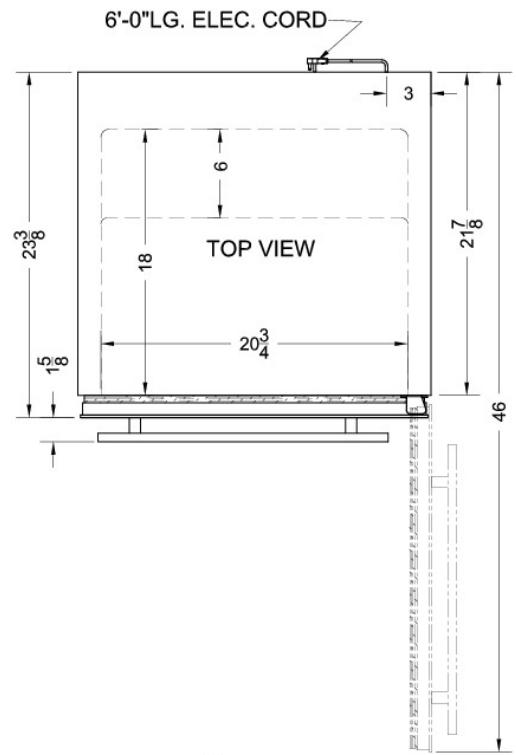


**AjMadison**  
Your Appliance Authority  
800-570-3355

Built-in capable	Make the best use of space by installing your appliance under the counter
Fully finished black cabinet	Allows the unit to be used freestanding
Low-e glass door	Gently tinted glass provides a full view of stored wine while protecting your collection with energy efficient low-e glass
Seamless stainless steel trim	Glass is framed by seamless 304 grade stainless steel
Digital thermostat	Set and adjust two temperature zones separately with easy-to-use digital controls that display the temperature in Celsius or Fahrenheit
Two temperature zones	Independent zones let you accommodate all varietals under the right temperature
White LED lighting	Unique white light offers elegant illumination for the jet black interior
Automatic defrost	Reduced maintenance with auto defrost system
Fan-forced cooling	Internal fan ensures the interior is evenly cooled from top to bottom
Reversible door	User-reversible door swing allows for more flexibility in placing the unit

## CL24WC2 Specifications:

Height	34.5"
Width	23.88"
Depth	23.38"
Capacity	5.4 cu.ft.
Ext Depth with Handle	25.0"
Interior Height 1	9.75"
Interior Width 1	20.75"
Interior Depth 1	18.0"
Interior Height 2	16.38"
Interior Width 2	20.75"
Interior Depth 2	18.0"
Comp Step Height	4.38"
Comp Step Width	20.75"
Comp Step Depth	6.0"
Shipping Weight	140.0 lbs.
Weight	119.0 lbs.
Canadian Electrical Safety	CSA
Voltage/Frequency	115 V AC/60 Hz
US Electrical Safety	CSA
Amps	2.0
Reversible	Yes
Door Swing	RHD
Shelf Quantity	5
Shelf Type	Wood
Wine Bottle Holder	true
Defrost Type	Automatic
Depth with door at 90°	46.0"
Light	true
Thermostat Type	Digital
Fan Type	Interior and Exterior
Level Legs Quantity	2
High Side PSI	250.0
Refrigerant Type	R134a
Freon Oz	3.0
Low Side PSI	103.0
Parts/Labor Warranty	1 Year
Compressor Warranty	5 Years



**AjMadison**  
Your Appliance Authority  
800-570-3355

Summit Appliance Division, Felix Storch, Inc.  
770 Garrison Ave • Bronx, NY 10474  
Phone: 718-893-3900 • Fax: 718-842-3093  
Email: info@summitappliance.com