



**BROMIC**<sup>®</sup>  
HEATING



PLATINUM  
SMART-HEAT™ GAS

---



The Platinum Smart-Heat™ Gas heater series spreads heat and comfort evenly in all areas, with a soft and soothing red glow. Built with pure premium materials and designed with elegance, there is no compromise on performance, reliability and beauty.

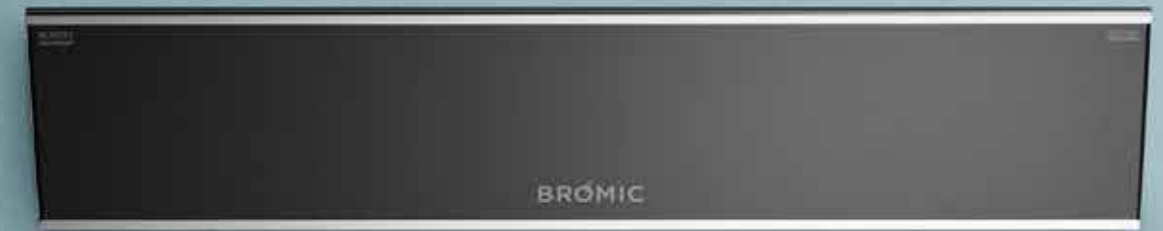
SEAMLESS INTEGRATION OF  
MODERN CLEAN LINES, MINIMALISTIC  
DESIGN AND QUALITY MATERIALS  
ACHIEVES INNOVATIVE STYLING AND  
TECHNICAL PERFORMANCE.

---

BRÖMIC

PLATINUM SMART-HEAT™ ELECTRIC  
WITH OPTIONAL RECESS KIT

PLATINUM  
SMART-HEAT™ ELECTRIC



Available in black and white, our Platinum Smart-Heat™ Electric heater is specifically suited for low-clearance and design-focused spaces in mind. This slim-line, stainless steel unit spreads comfort evenly in its space, all while minimizing light emission and blending seamlessly into the background with our recess mounting solutions.

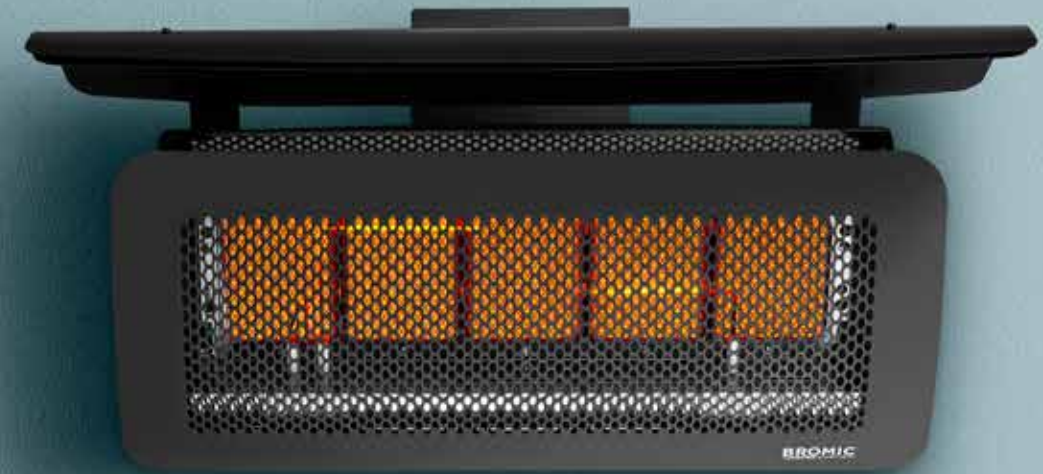


OUR DEDICATION TO INNOVATION IN  
QUALITY AND DESIGN, ALLOWS US TO  
SOLVE A WIDE ARRAY OF REAL-WORLD  
CHALLENGES SUCH AS CLIMATE,  
EFFICIENCY AND ENVIRONMENT.

---

TUNGSTEN  
SMART-HEAT™ GAS

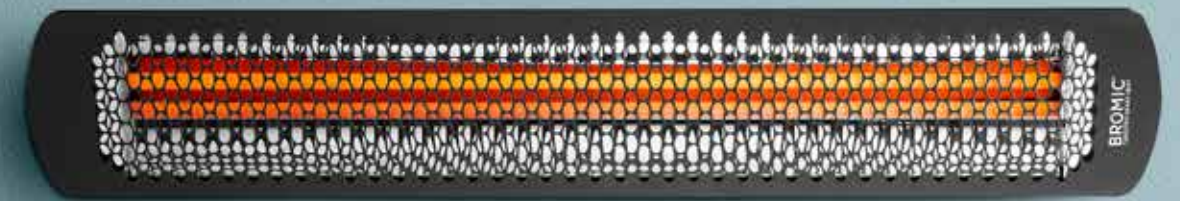
---



Our Tungsten Smart-Heat™ Gas heater has a durable, soft flowing curved facia and engineered body, which produces formidable heat to create a truly comfortable outdoor space. Its easy pivot arm allows for greater positioning and directional heat control. This heater also has a range of accessories available to provide versatility in mounting & controller options.

TUNGSTEN  
SMART-HEAT™ ELECTRIC

---



Our Tungsten Smart-Heat™ Electric series offers high performance radiant heating to outdoor and semi-enclosed spaces alike, with an industrial design style. It also boasts a high-temperature coating to suit all environments. With a stainless-steel construction, its durable element will emit a soft red glow to create a warm ambience in your space.







## TUNGSTEN SMART-HEAT™ PORTABLE

---

It's neutral black finish, and award-winning design makes it a piece of modern art. The Tungsten Smart-Heat™ Portable heater offers efficient directional heat and a versatile heating solution for the outdoor settings. It's modular construction with built-in wheels allows for easily maneuverability throughout tighter spaces.

## SMART-HEAT™ WIRELESS CONTROLLERS

---

With the option to connect groups of heaters from a single point as well as dimming heating outputs, the Smart-Heat™ range of controllers provide a simple, yet powerful solution to controlling your environment.

Learn more about our wireless control options  
[bromic.com/gowireless](https://bromic.com/gowireless)



## DESIGN SERVICE

---

As part of our complementary service, Bromic Heating Specialists will custom design and tailor a solution to best heat your outdoor living and entertainment spaces.

Learn more about our design service  
[bromic.com/designservice](https://bromic.com/designservice)



# PLATINUM SMART-HEAT™ GAS

MODEL NUMBER	300 SERIES	500 SERIES
FUEL TYPE	LPG   NG	LPG   NG
COLOR	BLACK	BLACK
HEAT AREA	160FT <sup>2</sup>	215FT <sup>2</sup>
ELECTRICAL CONNECTION	110V/2A	110V/2A
MINIMUM FLOOR CLEARANCE	96"	96"

## MOUNTING OPTIONS

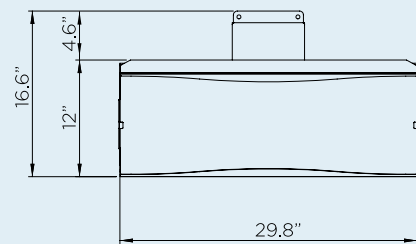
CEILING MOUNT	X	X
WALL MOUNT	X	X
RECESSED   FLUSH MOUNT	-	-
CEILING POLE MOUNT	X	X
FREESTANDING	-	-

## CONTROL OPTIONS

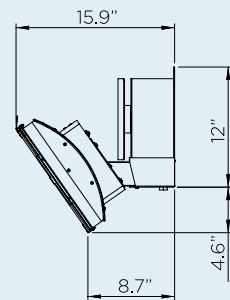
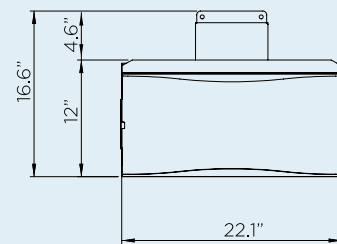
ON   OFF	X	X
DIMMER	-	-
MASTER REMOTE	-	-

Measurements displayed within this catalogue are minimum requirements for installation. Broic takes no responsibility for incorrect or non-compliant installations. All measurement in this catalogue are displayed in ft and inches.

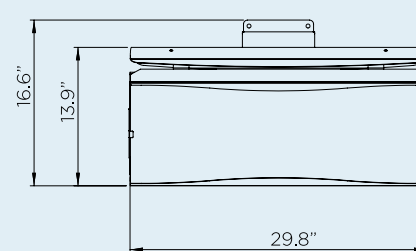
### PRODUCT MEASUREMENTS 500 SERIES



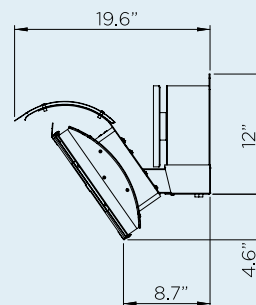
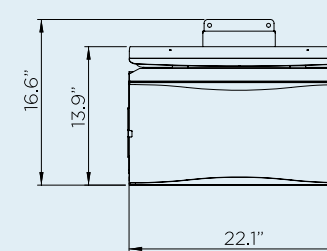
### 300 SERIES



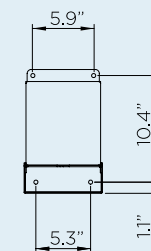
### PRODUCT MEASUREMENTS WITH HEAT DEFLECTOR 500 SERIES



### 300 SERIES

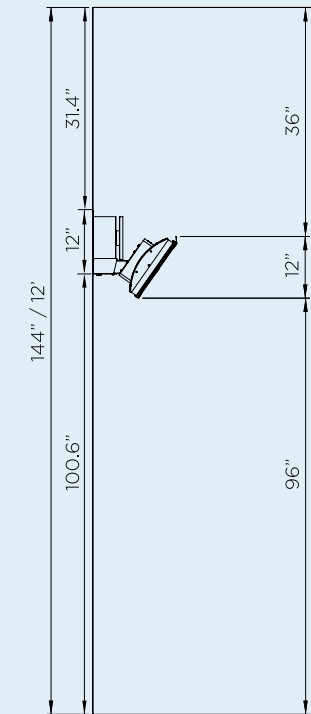


### BRACKET MEASUREMENTS

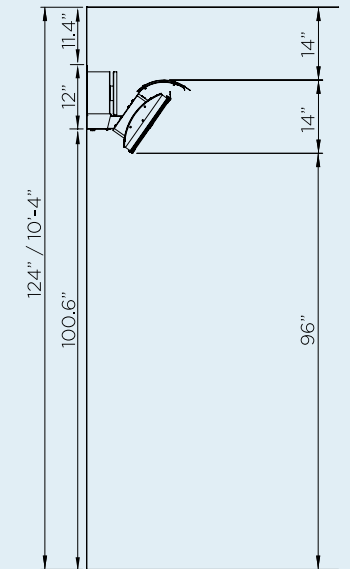


### WALL MOUNT OPTIONS

#### WALL MOUNT CLEARANCE

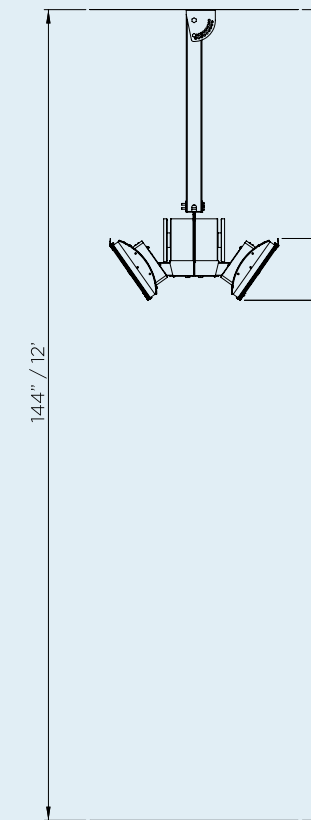


#### WALL MOUNT CLEARANCE WITH HEAT DEFLECTOR

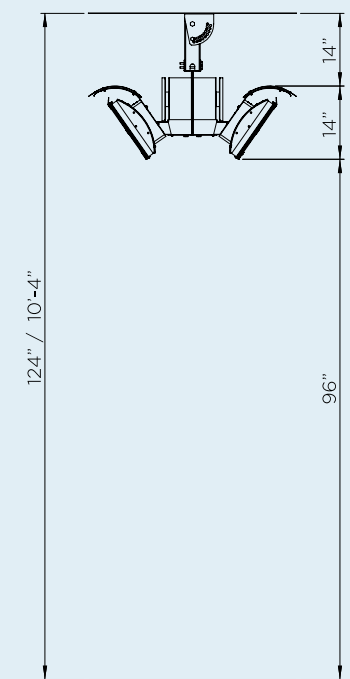


### CEILING MOUNT OPTIONS

#### CEILING POLE CLEARANCE



#### CEILING POLE CLEARANCE WITH HEAT DEFLECTOR



# PLATINUM SMART-HEAT™ ELECTRIC

MODEL NUMBER	2300W SERIES	3400W SERIES
FUEL TYPE	ELECTRIC	ELECTRIC
COLOR	BLACK   WHITE	BLACK   WHITE
HEAT AREA	65FT <sup>2</sup>	108FT <sup>2</sup>
RATED CURRENT	230 - 240V/9.6A	230 - 240V/14.2A
MINIMUM FLOOR CLEARANCE	WALL 72"   CEILING 96"	WALL 72"   CEILING 96"

## MOUNTING OPTIONS

CEILING MOUNT	X	X
WALL MOUNT	X	X
RECESSED   FLUSH MOUNT	X	X
CEILING POLE MOUNT	X	X
FREESTANDING	-	-

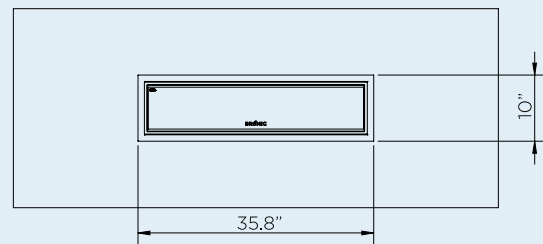
## CONTROL OPTIONS

ON   OFF	X	X
DIMMER	X	X
MASTER REMOTE *	X	X

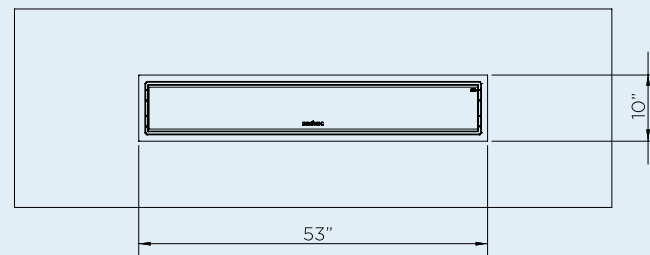
Measurements displayed within this catalogue are minimum requirements for installation. Bromic takes no responsibility for incorrect or non-compliant installations. All measurement in this catalogue are displayed in ft and inches.

\* Control up to six zones of heaters with unlimited heaters per zone from a single control. Works only with dimming controllers. Control operates within 100 ft. of heaters

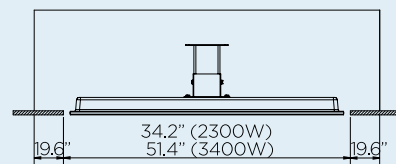
## CEILING RECESS FRAME 2300W



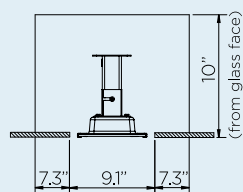
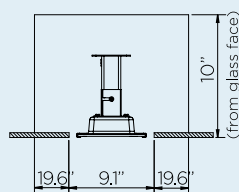
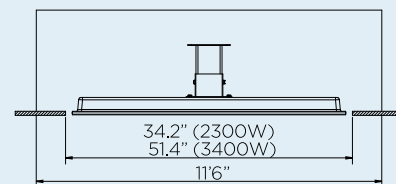
## CEILING RECESS FRAME 3400W



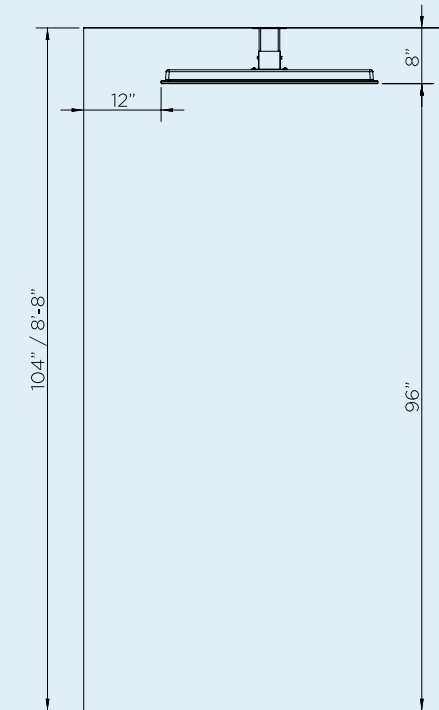
## MINIMUM CAVITY OPTION 1



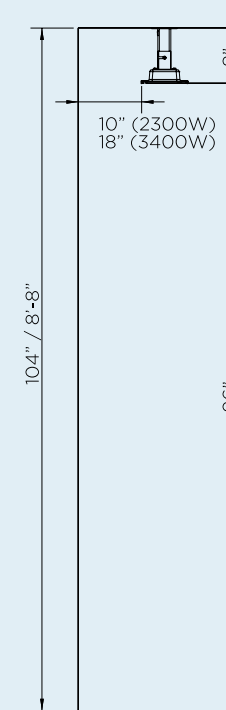
## MINIMUM CAVITY OPTION 2



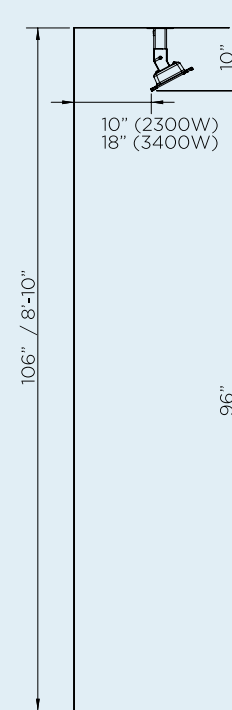
## CEILING MOUNT CLEARANCE



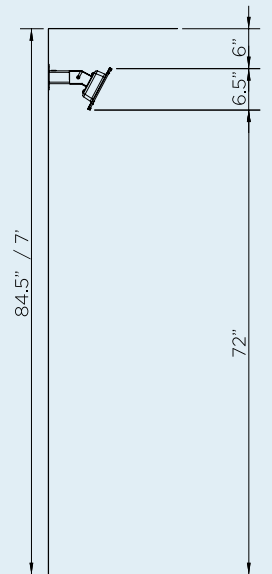
## FRONT DOWN MOUNT



## ANGLE MOUNT

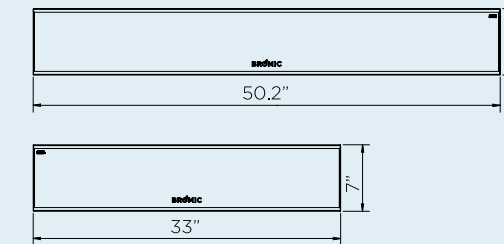


## WALL MOUNT CLEARANCE



## PRODUCT MEASUREMENTS

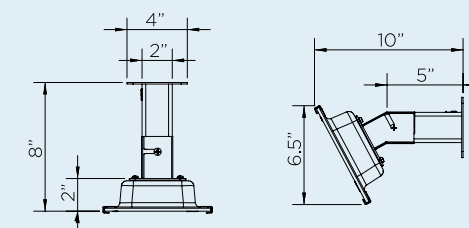
### 3400W



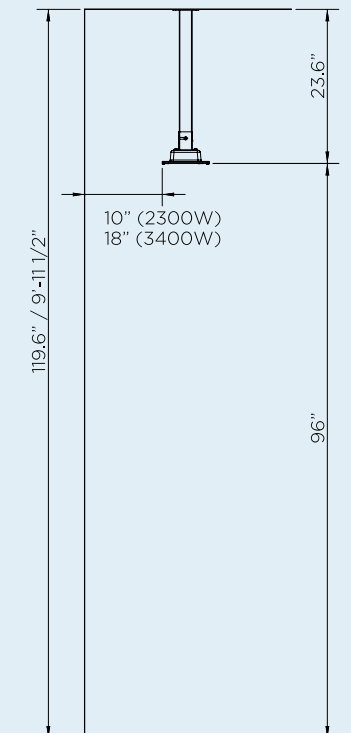
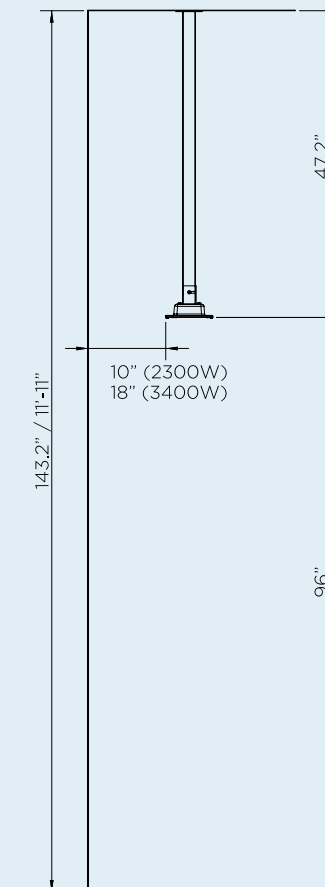
### 2300W



## BRACKET MEASUREMENTS



## CEILING POLE CLEARANCE



# TUNGSTEN

## SMART-HEAT™ GAS

MODEL NUMBER	300 SERIES	500 SERIES
FUEL TYPE	LPG   NG	LPG   NG
COLOR	BLACK	BLACK
HEAT AREA	160FT <sup>2</sup>	215FT <sup>2</sup>
ELECTRICAL CONNECTION	110V/2A	110V/2A
MINIMUM FLOOR CLEARANCE	96"	96"

### MOUNTING OPTIONS

CEILING MOUNT	X	X
WALL MOUNT	X	X
RECESSED   FLUSH MOUNT	-	-
CEILING POLE MOUNT	X	X
FREESTANDING	-	-

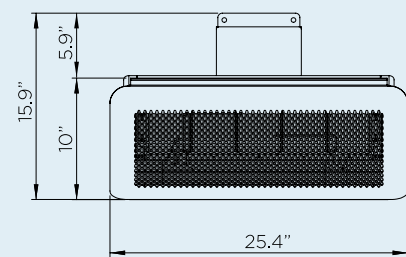
### CONTROL OPTIONS

ON   OFF	X	X
DIMMER	-	-
MASTER REMOTE	-	-

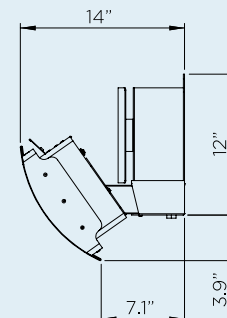
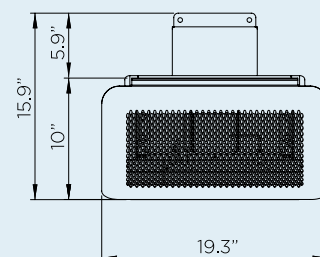
Measurements displayed within this catalogue are minimum requirements for installation. Brovic takes no responsibility for incorrect or non-compliant installations. All measurement in this catalogue are displayed in ft and inches.

### PRODUCT MEASUREMENTS

#### 500 SERIES

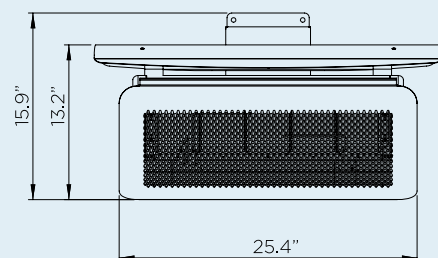


#### 300 SERIES

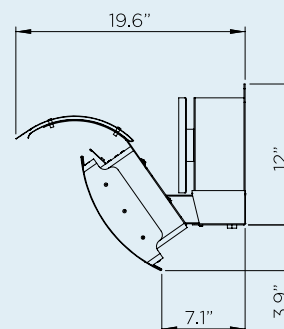
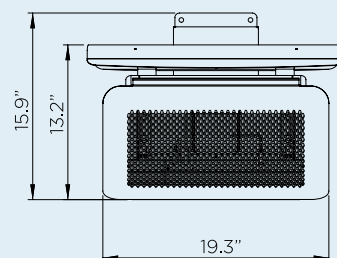


### PRODUCT MEASUREMENTS WITH HEAT DEFLECTOR

#### 500 SERIES

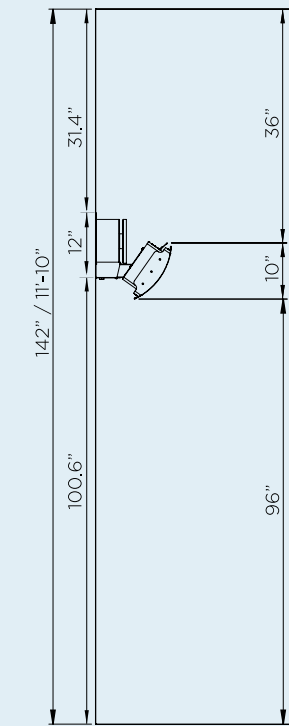


#### 300 SERIES

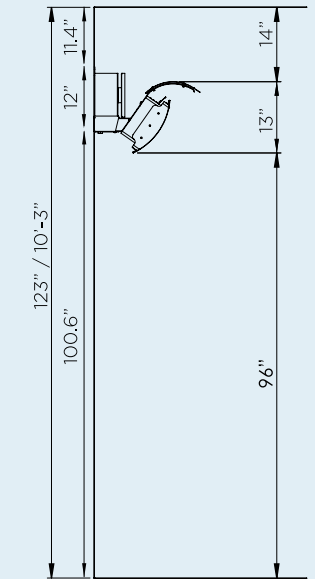


### WALL MOUNT CLEARANCES

#### WALL MOUNT CLEARANCE

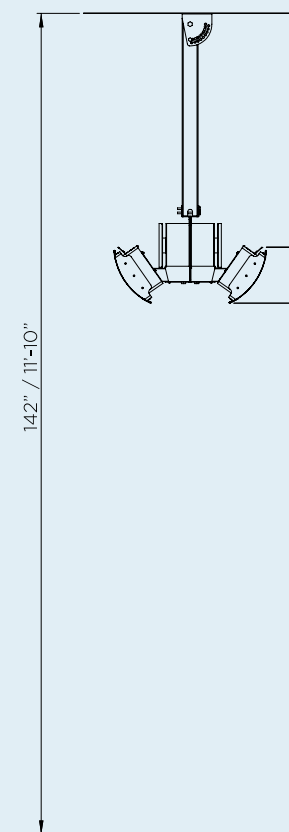


#### WALL MOUNT CLEARANCE WITH HEAT DEFLECTOR

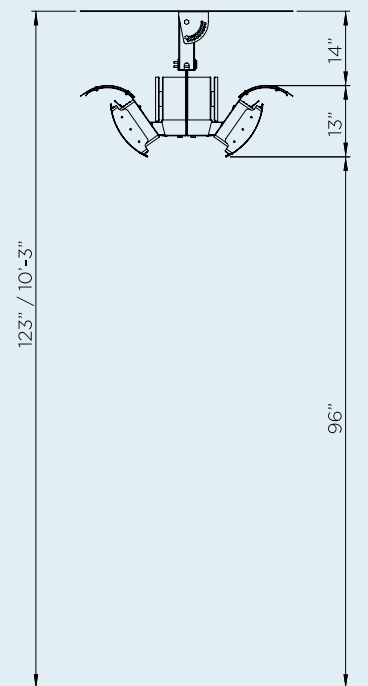


### CEILING MOUNT CLEARANCES

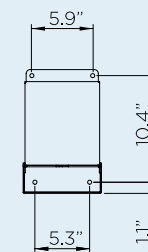
#### CEILING POLE CLEARANCE



#### CEILING POLE CLEARANCE WITH HEAT DEFLECTOR



### BRACKET MEASUREMENTS



# TUNGSTEN

## SMART-HEAT™ ELECTRIC

MODEL NUMBER	2000 SERIES	3000 SERIES	4000 SERIES	6000 SERIES
FUEL TYPE	ELECTRIC	ELECTRIC	ELECTRIC	ELECTRIC
COLOR	BLACK   WHITE	BLACK   WHITE	BLACK   WHITE	BLACK   WHITE
HEAT AREA	65FT <sup>2</sup>	100FT <sup>2</sup>	130FT <sup>2</sup>	160FT <sup>2</sup>
RATED CURRENT	230 - 240V/8.3A	230 - 240V/12.5A	230 - 240V/16.6A	230 - 240V/25A
MINIMUM FLOOR CLEARANCE**	WALL 72"   CEILING 96"		WALL 72"   CEILING 96"	

### MOUNTING OPTIONS

CEILING MOUNT	X	X	X	X
WALL MOUNT	X	X	X	X
RECESSED   FLUSH MOUNT	X	X	X	X
CEILING POLE MOUNT	X	X	X	X
FREESTANDING	-	-	-	-

### CONTROL OPTIONS

ON   OFF	X	X	X	X
DIMMER	X	X	X	X
MASTER REMOTE*	X	X	X	X

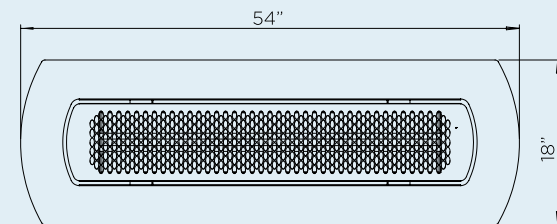
Measurements displayed within this catalogue are minimum requirements for installation. Bromic takes no responsibility for incorrect or non-compliant installations. All measurement in this catalogue are displayed in ft and inches.

\* Control up to six zones of heaters with unlimited heaters per zone from a single control. Works only with dimming controllers. Control operates within 100 ft. of heaters

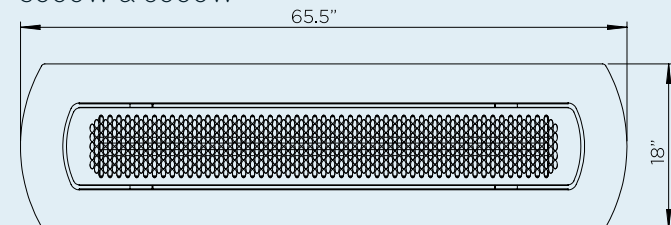
\*\*Minimum Mounting height to ground for Canada - 96" (8')

### CEILING RECESS FRAME

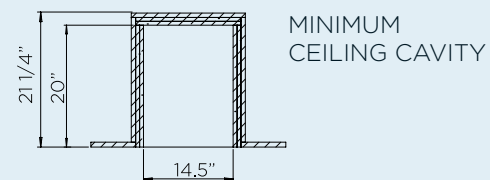
2000W & 4000W



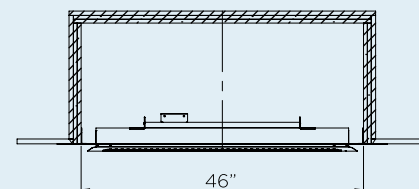
3000W & 6000W



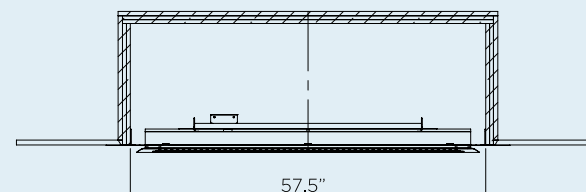
### CEILING RECESS



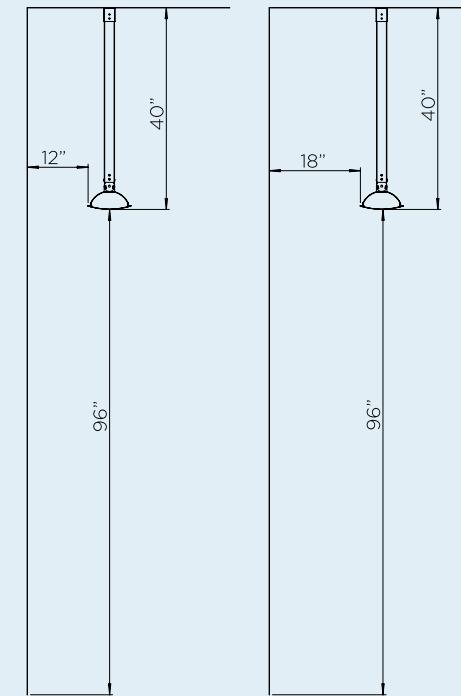
2000W & 4000W



3000W & 6000W



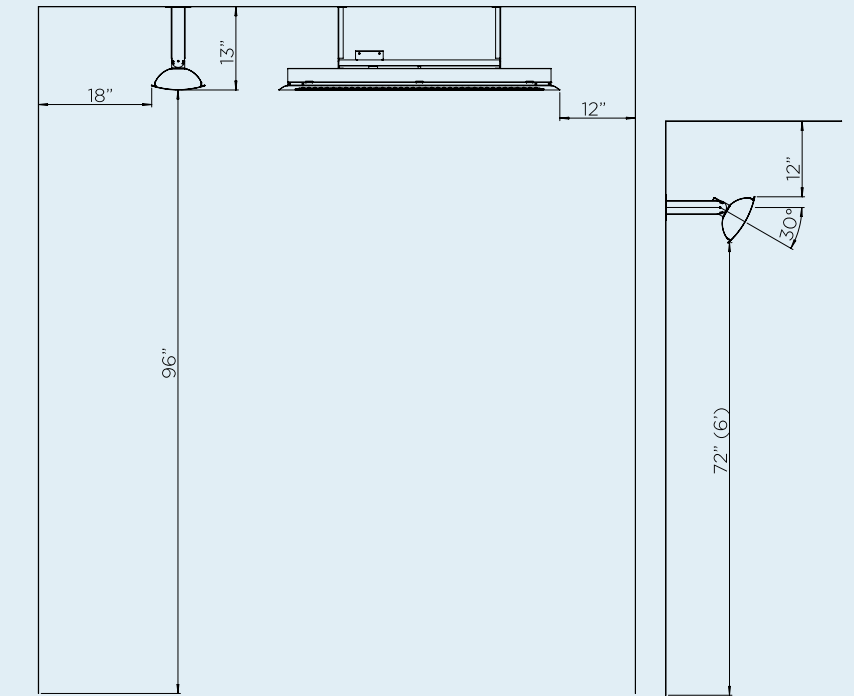
### CEILING POLE SUSPENSION CLEARANCE



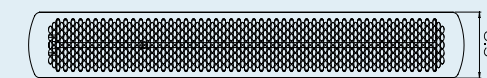
2000W &  
3000W

4000W &  
6000W

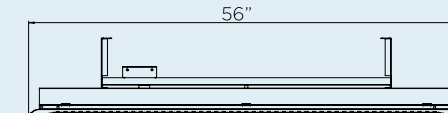
### CEILING & WALL CLEARANCE 4000W & 6000W



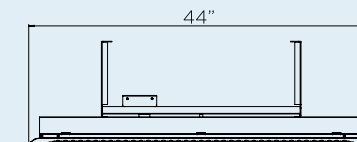
### PRODUCT MEASUREMENTS



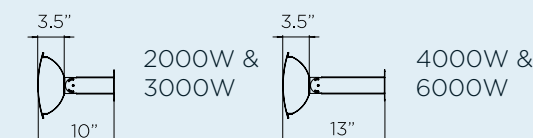
3000W & 6000W



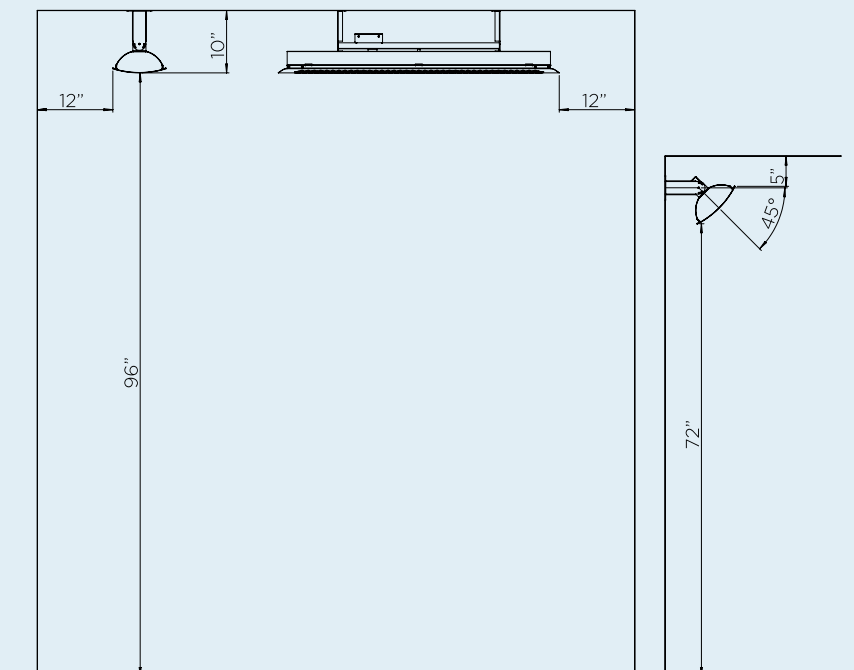
2000W & 4000W



### BRACKET MEASUREMENTS



### CEILING & WALL CLEARANCE 2000W & 3000W



# TUNGSTEN

## SMART-HEAT™ PORTABLE

### MODEL NUMBER

FUEL TYPE	LPG   NG
COLOR	BLACK
HEAT AREA	215FT <sup>2</sup>
ELECTRICAL CONNECTION	-
MINIMUM CEILING CLEARANCE	36"

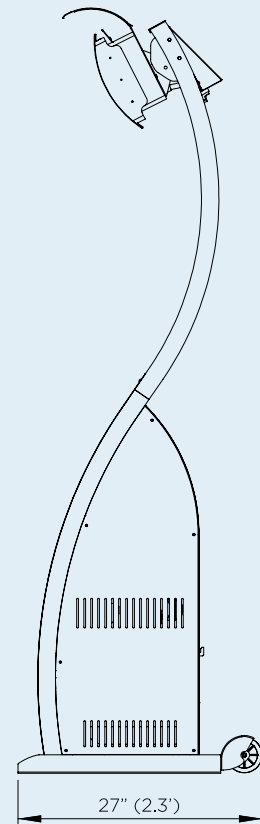
### MOUNTING OPTIONS

CEILING MOUNT	-
WALL MOUNT	-
RECESSED   FLUSH MOUNT	-
CEILING POLE MOUNT	-
FREESTANDING	X

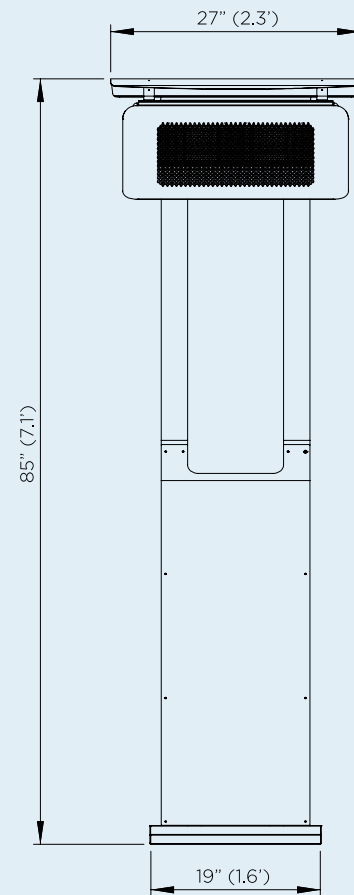
### CONTROL OPTIONS

ON   OFF	-
DIMMER	-
MASTER REMOTE	-

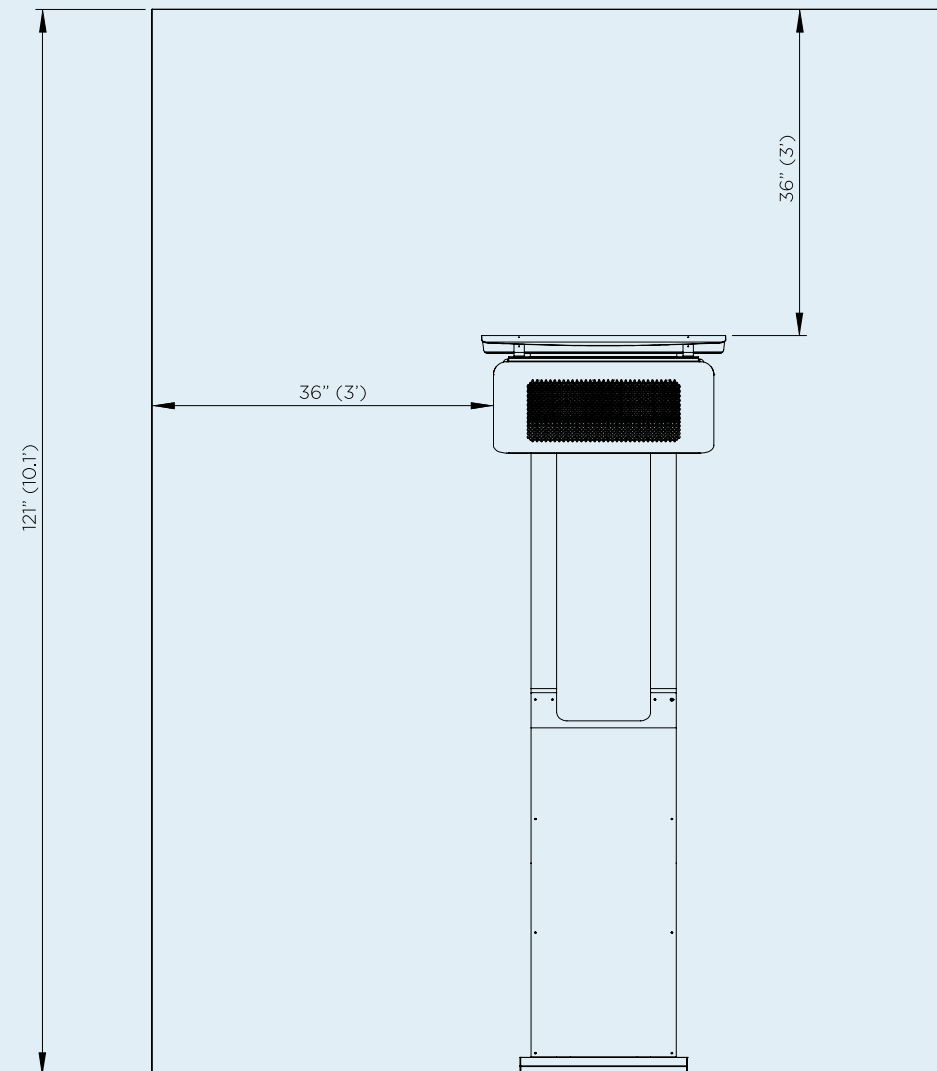
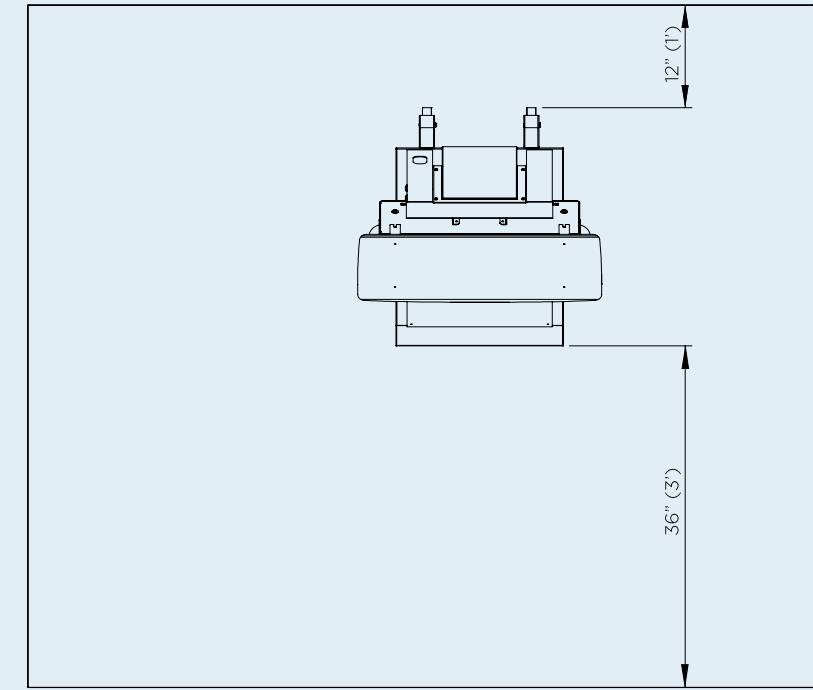
Measurements displayed within this catalogue are minimum requirements for installation. Bromic takes no responsibility for incorrect or non-compliant installations. All measurement in this catalogue are displayed in ft and inches.



### PRODUCT MEASUREMENTS



### WALL & CEILING CLEARANCE







CAUTION - HOT SURFACE

**BROMIC**  
PLATINUM SMART-HEAT

PLATINUM SMART-HEAT™ GAS  
WITH OPTIONAL POLE MOUNT KIT



## CONTACT BROMIC

### **North America**

18 Technology Drive | STE 121  
Irvine California 92618 USA  
Tel. 1800 301 1293

### **Asia Pacific**

10 Phiney Place  
Ingleburn Sydney NSW 2565 AUS  
Tel. +61 2 9426 5222

### **Europe**

Weinauallee 19  
02763 Zittau Germany  
Tel. +49 358 3518 9885

[BROMIC.COM/HEAT](https://www.bromic.com/HEAT)