



## BF Series

33" Slim Line Built-in Electric Firebox

BFSL33

Classic fireplace charm and comfort with the simplicity of electric.



Our BF Series builder boxes solve design challenges, add exceptional value, and look great doing it. Their exceptional versatility means that you can install them virtually anywhere, especially in locations and buildings that are impossible for a combustion fireplace. And as with all Dimplex fireplaces, BF Series offer realism that continues to set the bar in the industry and ensures that from the designer, contractor, builder, to homeowner – everyone is happy with the results.



# BF Series

## 33" Slim Line Built-in Electric Firebox

BFSL33



### Accessories



33" Single Pane, tamperproof glass door  
- BFSL33DOOR

120 Volts | 1,223 Watts | 4,178 BTU  
 208 Volts | 1,823 Watts | 6,227 BTU  
 240 Volts | 2,423 Watts | 8,277 BTU

Model #	Description	Lbs / Kg	UPC	Wty. <sup>1</sup>	Carton Dimensions (WxHxD)		Cube	
					Inches	cm	ft <sup>3</sup>	m <sup>3</sup>
BFSL33	33" Slim Line Electric Firebox	68 / 30.9	781052 064478	2 yr.	38-1/8 x 29-3/4 x 13-3/8	96.8 x 75.4 x 33.8	8.7	0.2
BFSL33DOOR	33" Single Pane, tamperproof glass door	17 / 7.7	781052 063778		36-7/8 x 4-1/4 x 25	93.6 x 10.5 x 63.5	1.77	0.1
BFPLUGE	Plug Kit	0.65 / 0.3	781052 040748	1 yr	6-3/4 x 6-1/2 x 6-3/4	17.1 x 16.5 x 17.1	0.2	

Specifications, finishes and dimensions are subject to change. <sup>1</sup>Limited warranty. ©2018 Dimplex North America Limited.

### Features

- The Original Dimplex Flame Effect™**  
A blend of technology, artistry and craftsmanship that sets the standard for realism.
- Patented Inner Glow Logs**  
Individually molded and hand-finished logs pulse and glow from within for the look of natural burning logs.
- Primary Heating**  
Option to use 240 volt supply for up to 9,200 BTU - use as part of primary heating plan.
- Wired, Seamless Design**  
Designed for built-in installations wired directly to a dedicated circuit for a clean, custom appearance.
- Reduces Liability**  
Ideal for public spaces in commercial installations; meets the strictest building codes.
- Three-stage Remote**  
Enjoy flames with half-heat, full-heat or flames only.
- All-season Flames**  
Enjoy the unique charm of a fireplace 365 days a year using the flames without the heat.
- Zero Emissions**  
The most sustainable fireplace option; no emissions and 100% efficient.
- Cool-touch Glass**  
Glass remains cool making it safe for any location and any user.
- LED Lighting**  
Flame and lights use brilliant, low-energy LED's that require zero maintenance.

SE-026-R02-031918

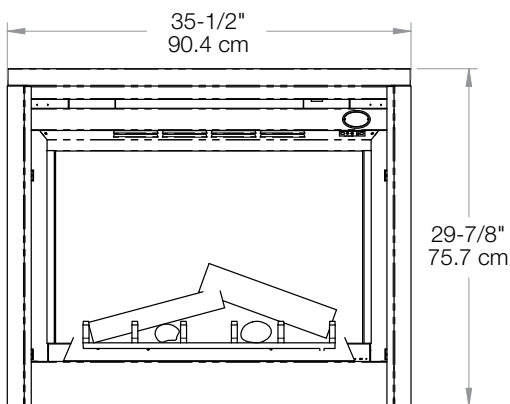


## BF Series

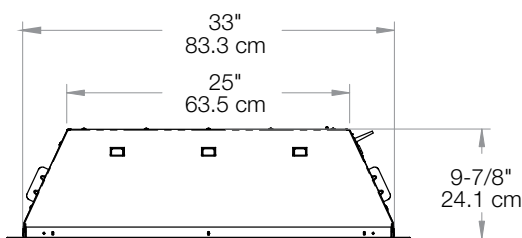
33" Slim Line Built-in Electric Firebox

BFSL33

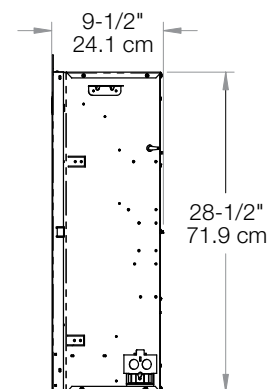
### Product Dimensions:



FRONT



TOP



SIDE

### Framing Dimensions

