

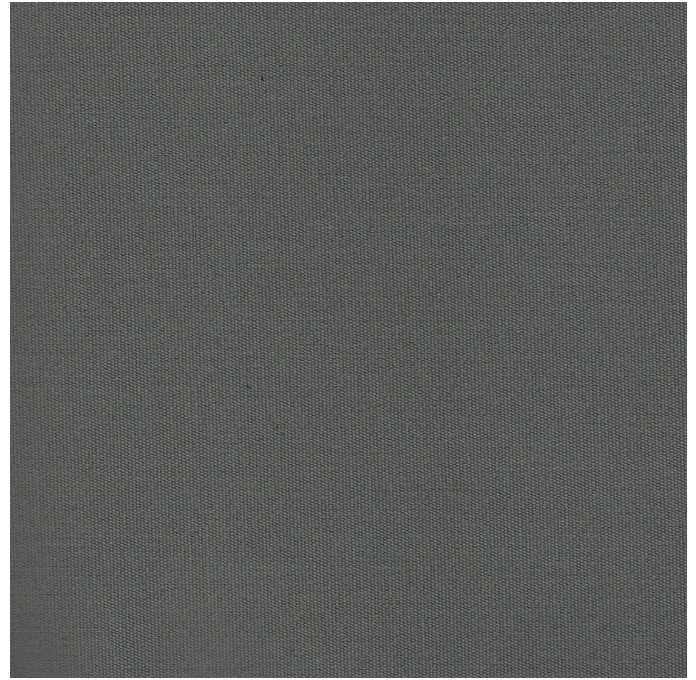
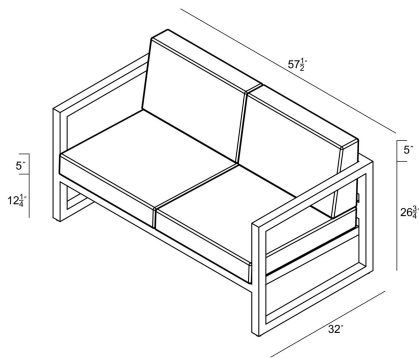


HARMONIA
LIVING

Avion Loveseat - Slate - Canvas Charcoal HL-AVN-SL-LS-CC

Product Images





Description

An inspired blend of Midcentury Modernism and contemporary lines, the Avion Loveseat by Harmonia Living brings artful design to your outdoor space. The hallmarks of the collection include durable aluminum metalwork, a sleek silhouette, and extra-spacious deep seating. Stain-resistant Sunbrella® fabric cushions and weather-resistant powder-coated frames make Avion as sensible as it is stylish. If you wish to order this piece through Harmonia Living's Quick Ship program, make sure to select a Quick Ship (QS) fabric before checkout! All cushions are made in the USA from Sunbrella, Outdura, and Revolution performance fabrics which carry a 5 year fade warranty.

Includes

- 1x Avion Loveseat
- 2x 27" Single Seat Cushions
- 2x 27" Single Seat Back Cushions

Dimensions

- Loveseat: 57.5"W x 32"D x 33"H (35lbs.)
- Seat Height (No Cushion): 12.25
- Seat Height (With Cushion): 17.25
- Back Height (Seat to Top): 15.75
- Arm Height: 26.75

Features

- Features a modern industrial design.
- Thick gauge, fully welded aluminum frames with durable powder coated paint finish.
- Performance fabric cushions are available in quick ship and semi-custom options.
- Available in Sunbrella, Outdura and Revolution performance fabrics, which are distinctive, fade

resistant and easy to clean.

- Cushions are made in the USA with quick-drying Polyurethane foam and wrapped in Dacron, which wicks away moisture.
- Cushion cover comes with a zipper for easy removal.
- Plastic leveling feet protect your patio, and can be adjusted for uneven surfaces.
- A self-welt (seam piping) can be added for a tailored look.
- No assembly required.