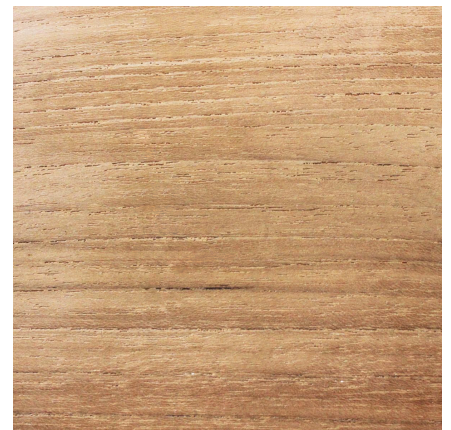


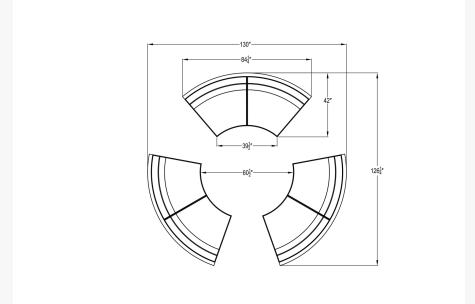
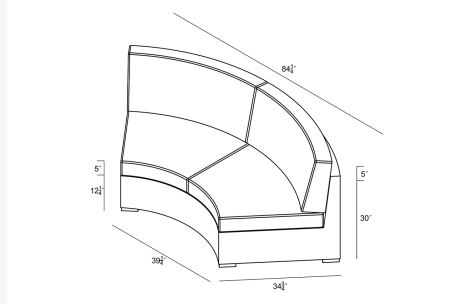


HARMONIA
LIVING

Arden 3 Piece Curve Sectional Set - Canvas Charcoal HL-ARD-CH-3CSEC-CC

Product Images





Description

Create the perfect outdoor gathering hotspot with the Arden 3 Piece Eclipse Sectional Set by Harmonia Living. This collection's modern wicker design, clean edges and beautiful symmetry give it a unique visual appeal, while sturdy, all-weather construction ensures lasting performance across the seasons. The wicker is made with durable High-Density Polyethylene (HDPE) and finished in a beautifully textured Chestnut color, which gives it a natural feel. Its sturdy aluminum frame, triple reinforced seats and fade resistant cushions are made to endure in any outdoor setting, rain or shine. If you wish to order this set through Harmonia Living's Quick Ship program, make sure to select a Quick Ship (QS) fabric before checkout! All cushions are made in the USA from Sunbrella, Outdura, and Revolution performance fabrics which carry a 5 year fade warranty. This set comes with 3 Curved Loveseats, perfect for use with a round fire pit or table.

Includes

- 3x Arden Curved Loveseats

Dimensions

- Curve Loveseat: 84.25"W x 34.75"D x 32"H (72lbs.)

- Seat Height (No Cushion): 12.25
- Seat Height (With Cushion): 17.25
- Back Height (Seat to Top): 14.75

Features

- High-Density Polyethylene (HDPE) Wicker (Chestnut Finish) is all-weather, recyclable and resistant to fading or cracking.
- Thick gauge, powder-coated aluminum frames are lightweight, durable and corrosion resistant.
- Seat frames are triple reinforced for lasting durability.
- Includes teak wood feet with plastic glides to help protect your deck or patio.
- Cushions are made in the USA with quick-drying Polyurethane foam and wrapped in Dacron, which wicks away moisture.
- Available in Sunbrella, Outdura and Revolution performance fabrics, which are distinctive, fade resistant and easy to clean.
- Cushion cover comes with a zipper for easy removal.
- Set comes with U clips (for securing sectional pieces) & cushion ties (to keep cushions in place).
- No assembly required.