

## Specifications

Model	BTU	Width			Height		Depth			Glass
		Actual	Min. Framing	Max. Framing	Actual	Framing	Actual	Min. Framing	Max. Framing	
BHD4ST	30,000	45	45 1/2	45 1/2	38 1/4	46 1/2	25 1/8	22 1/8	24 1/8	28 1/2 X 35 1/2 (Main) 27 1/8 X 17 (End)
BHDP	30,000	43 1/4	42 1/2	43 1/2	38 1/4	46 1/2	25 1/8	22 1/8	24 1/8	

## Minimum Fireplace Clearances

Maintain these minimum clearances to combustibles from appliance and vent surfaces:

**Combustible Appliance framing:**

- 1/4" (6.4mm) to the sides of appliance
- 8 1/4" (210mm) to the top of appliance

**Combustible Appliance finishing:**

- 0" (0mm) above the appliance opening
- 50" (1270mm) from bottom of appliance to enclosure top
- 62 1/4" (1582mm) from bottom of appliance to ceiling
- 3" (76mm) to top of vent pipe\*
- 2" (51mm) to sides and bottom of vent pipe\*
- 0" (0mm) to the sides and top of appliance

Combustible finishing material (ie. Combustible board, brick, stone, tile) must be used to finish around the front of the appliance.

**\*HORIZONTAL VENT SECTIONS:** A minimum clearance of 3" (76mm) to the top and 2" (51mm) to the sides and bottom of the vent pipe on all horizontal runs to combustibles is required, see "MINIMUM CLEARANCE TO COMBUSTIBLE ENCLOSURES" section. Use firestop assembly W010-2985. If reduced to 4/7" use W010-3440 firestop.

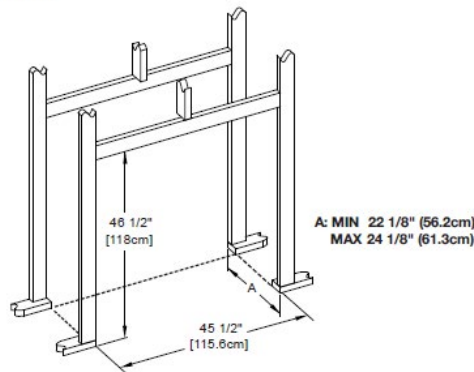
**NOTE:** The minimum clearances around the horizontal vent pipe to combustible materials may be reduced from 3" (76.2mm) / 2" (50.8mm) to 1" (25mm) in those installations with a minimum 52" (1320.8mm) vertical vent rise made immediately off the fireplace collar and where the vent has been reduced to 4/7" from 5/8" at the appliance collars.

**\*VERTICAL VENT SECTIONS:** A minimum of 2" (51mm) all around the vent pipe on all vertical runs to combustibles is required. Use firestop spacer W010-2985.

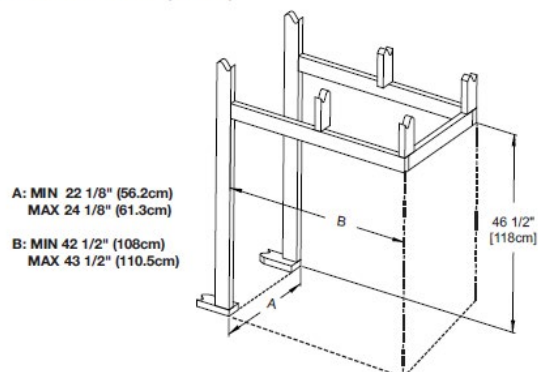
W415-1285 / E / 09.02.16

## Framing Dimensions

SEE-THRU FRAMING (BHD4ST)



PENINSULA FRAMING (BHD4P)



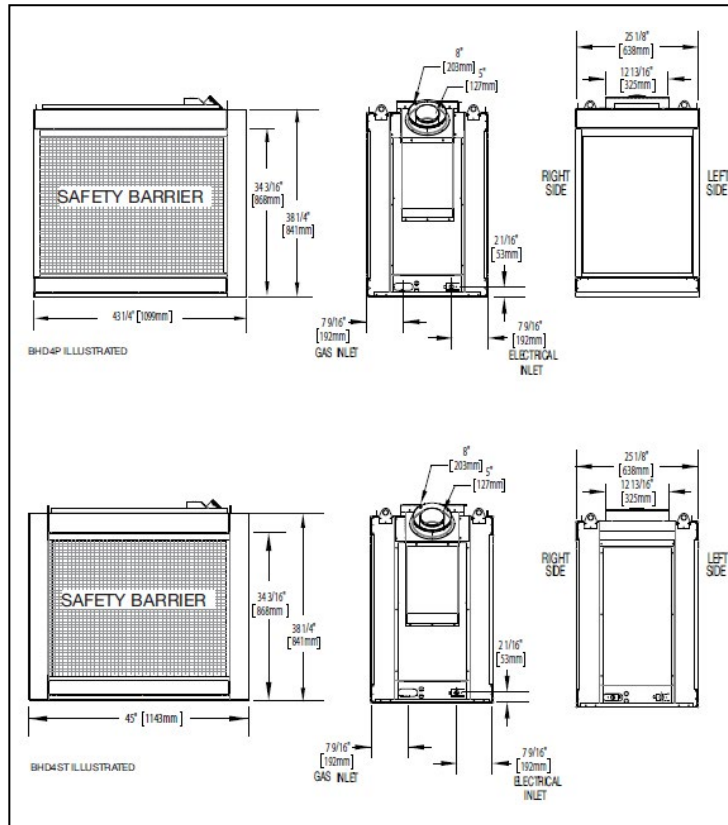
**NOTE:** All framing dimensions are based on the finishing material supports position. Framing may change depending on the finishing material thickness. (See "FINISHING SUPPORT ADJUSTMENT" section).

# ASCENT™ MULTI-VIEW DIRECT VENT GAS FIREPLACE

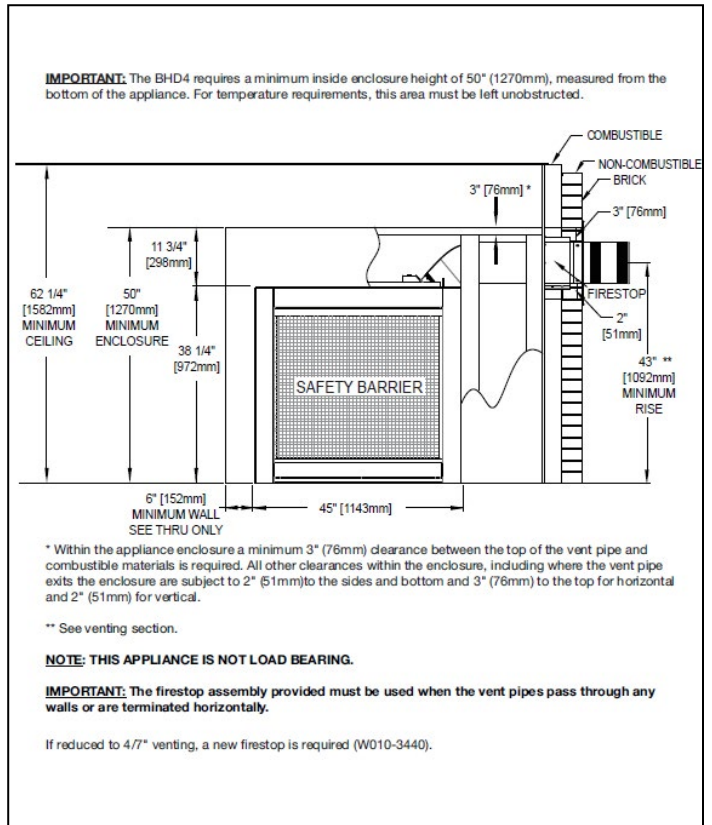


Product information provided is not complete and is subject to change without notice. Please consult the installation manual for the most up to date installation information.

## Dimensions



## Wall Penetration



## Minimum Mantel Clearances

Combustible mantel clearance can vary according to the mantel depth. Use the graph to help evaluate the clearance needed.

**NOTE:** The same requirements apply to any combustible protruding on either side of the appliance

MANTEL DIMENSIONS		
Ref	Height	Depth
D	4" (102mm)	2" (51mm)
C	6" (152mm)	4" (102mm)
B	8" (203mm)	6" (152mm)
A	10" (254mm)	8" (203mm)

## Alcove Enclosure

**NOTE:** Recesses or alcoves above the appliance can be made as deep as desired provided the minimum clearances to combustibles are maintained.

Non-combustible material can be used, provided the minimum clearances to combustible materials are applied. The minimum enclosure volume must be increased by no less than the volume of the recess. This adjustment can be made by increasing any or all of the height, width and depth of the enclosure.