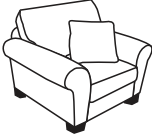
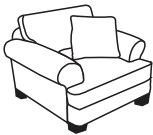

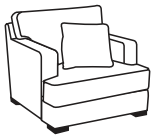

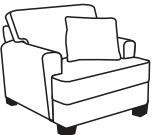
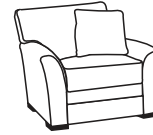
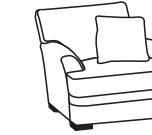

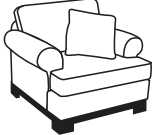




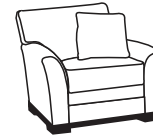

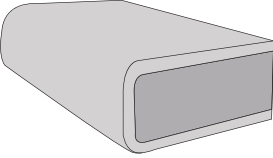
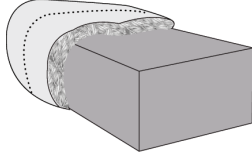


1 Arm	ROLL ARM		TRACK ARM		DOME ARM		FLARE ARM	
2 Seat style	boxed seat	t-cushion	boxed seat	t-cushion	boxed seat	t-cushion	boxed seat	t-cushion
Upholstered base	 S0401 ORION F0401 ORION	 S0407 HERMES F0407 HERMES	 S0412 JUNO F0412 JUNO	 S0403 NEPTUNE F0403 NEPTUNE	 S0413 ARTEMIS F0413 ARTEMIS	 S0414 ARIES F0414 ARIES	 S0420 SCORPIO F0420 SCORPIO	 S0423 AQUARIUS F0423 AQUARIUS
3 Wood base	 S0408 ZEUS F0408 ZEUS	 S0402 APOLLO F0402 APOLLO	 S0405 GEMINI F0405 GEMINI	 S0409 KRONOS F0409 KRONOS	 S0418 TAURUS F0418 TAURUS	 S0415 PISCES F0415 PISCES	 S0421 LIBRA F0421 LIBRA	 S0424 SAGITTARIUS F0424 SAGITTARIUS

4 Seat cushion

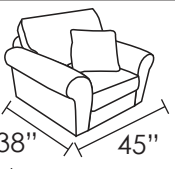
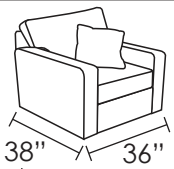
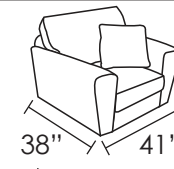
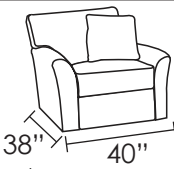


Standard Seating (S)
1.8 Density HR core, wrapped with low melt dacron, creates a firm yet comfortable cushion.



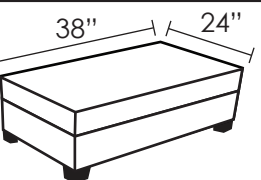
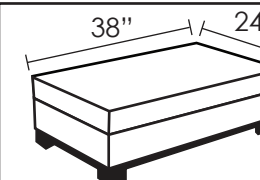
Pluma Plush™ Seating (F)*
1.9 Density HR core, encased in a "feather barrier," filled with 50% polyester fiber/45% duck feather/5% duck down, creates a soft and supportive cushion.
**Available at an upcharge*

SWIVEL SUIT CHAIR

 ORION S025016XXX F025016XXX	 JUNO S025116XXX F025116XXX	 ARTEMIS S025216XXX F025216XXX	 SCORPIO S025316XXX F025316XXX
--	---	--	--

Swivels available with boxed seat / upholstered base only.

STORAGE OTTOMANS

 S040362XXX NEPTUNE F040362XXX NEPTUNE	 S040262XXX APOLLO F040262XXX APOLLO
---	---

Storage ottomans are available with upholstered base / wood base.