



THE TRMR RACK

JEEP GLADIATOR ROOF RACK INSTRUCTION GUIDE



HARDWARE LIST



Do not install by yourself! Have a second pair of hands to assist with the installation.

DS = DRIVER SIDE / PS = PASSENGER SIDE



(1)- WIND DEFLECTOR PLATE



(6)- ALUMINUM EXTRUSION



(1)- DS FRONT FAIRING (JG-5)



(1)- DS REAR FAIRING (JG-7)



(1)- PS FRONT FAIRING (JG-8)



(1)- PS REAR FAIRING (JG-6)



(1)- DS FRONT INSIDE CLAMP (JG-1)



(1)- PS FRONT INSIDE CLAMP (JG-2)



(6)- UNIVERSAL INSIDE CLAMP (JG-3)



(8)- UNIVERSAL OUTSIDE CLAMP (JG-10)



(2)- CONNECTOR PLATE (JG-9)



(8)- INSIDE SUPPORT BRACKET (JG-4)



(3)- LOGO PLATE



(8)- RUBBER PAD



(8)- INSIDE CLAMP RUBBER SEAL



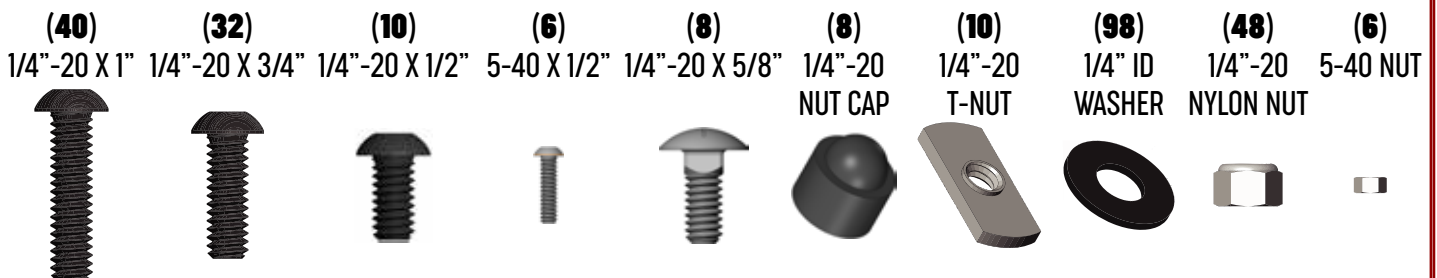
(1)- WIND DEFLECTOR PLATE RUBBER SEAL



(1)- TUBE OF LOCTITE

HARDWARE

KEEP IN MIND, THE AVERAGE TORQUE SPECS OF A 1/4"-20 BOLT IS 75 INCH POUNDS WHICH EQUALS 6.25 FOOT POUNDS. THE HEAD OF THE BOLT SHEARS AT 15 FOOT POUNDS.



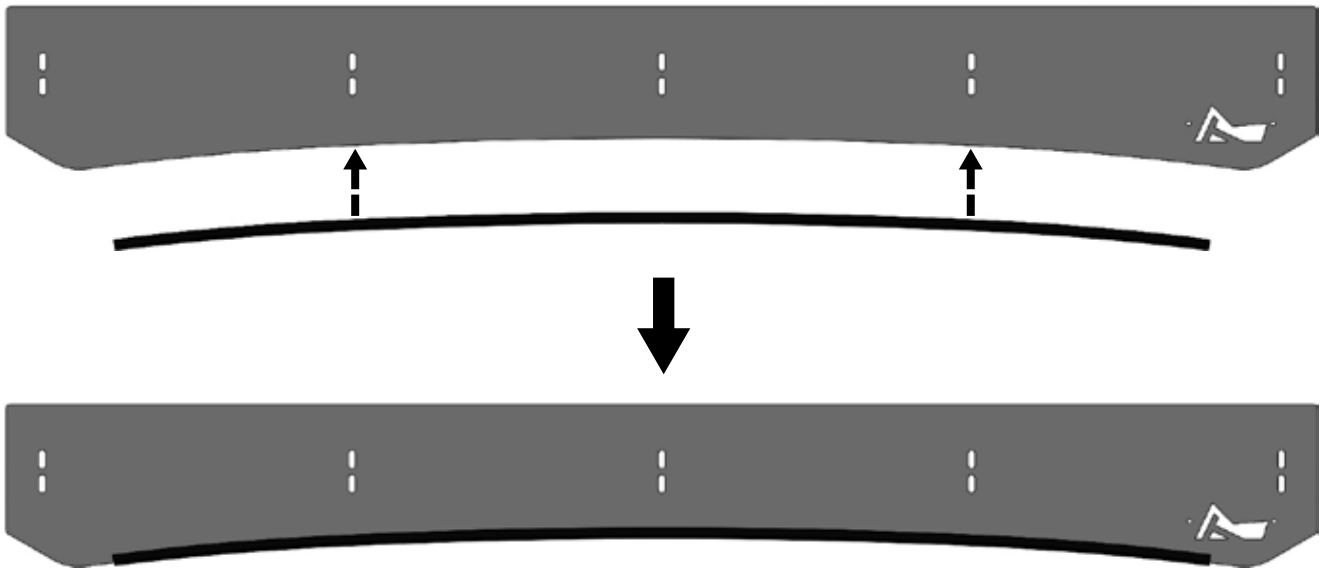


TRMR ROOF RACK PRE-ASSEMBLY



STEP 1

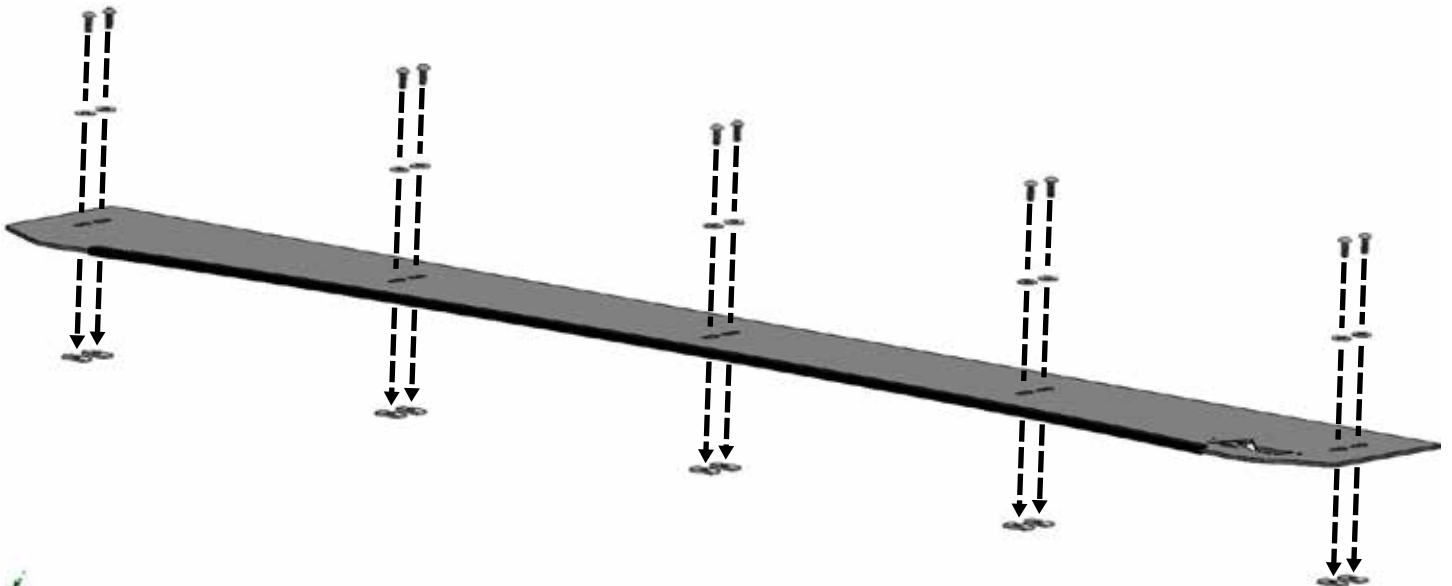
PLACE RUBBER SEAL ONTO WIND DEFLECTOR. MAKE SURE TO EVENLY SPACE IT ACROSS. PRESS ON FIRMLY, YOU WILL FEEL POSITIVE FEEDBACK ON THE RUBBER SEAL SEATING.



(PRO TIP: FOR BEST PLACEMENT FIND THE CENTER OF RUBBER SEAL BY FOLDING IT IN HALF. NEXT PLACE CENTER OF RUBBER SEAL IN MIDDLE OF THE WIND DEFLECTOR PLATE AND WORK FROM THE CENTER OUT.)

STEP 2

WITH THE LOGO CUT OUT ON THE DRIVER SIDE, INSTALL (10) 1/4"-20 X 1/2" BLACK OXIDE BUTTON HEAD BOLTS, (10) 1/4" BLACK OXIDE ID WASHERS, AND (10) 1/4" T-NUTS ONTO WIND DEFLECTOR PLATE. KEEP THE T-NUTS LOOSE FOR STEP 7.

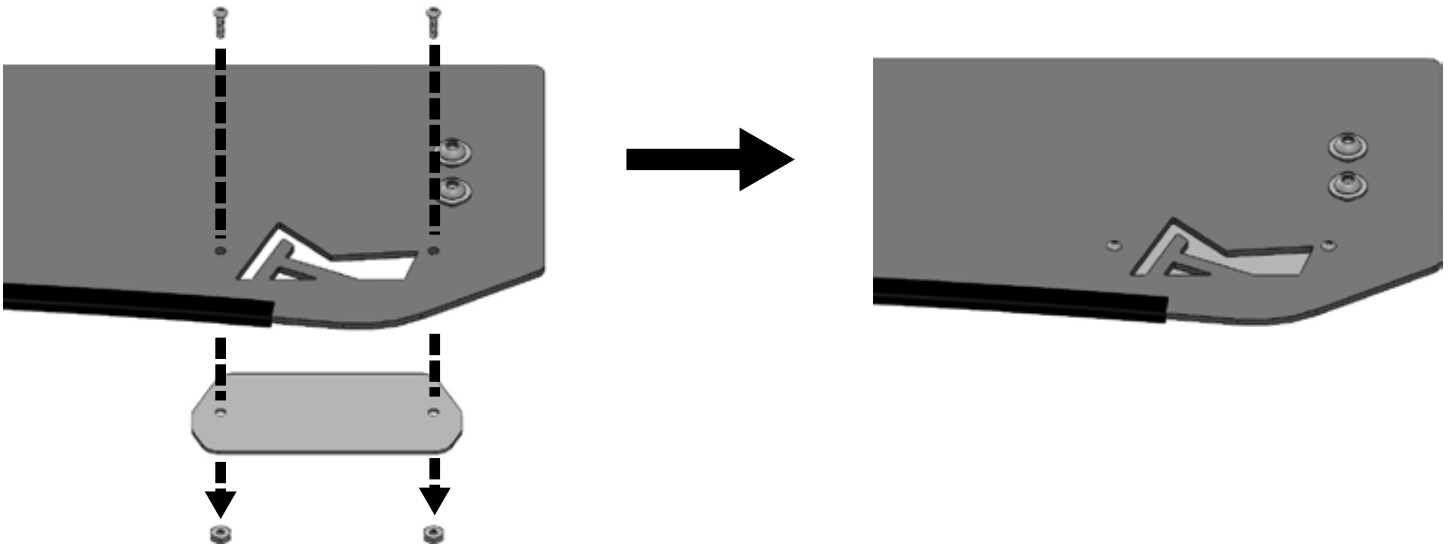


TRMR ROOF RACK PRE-ASSEMBLY



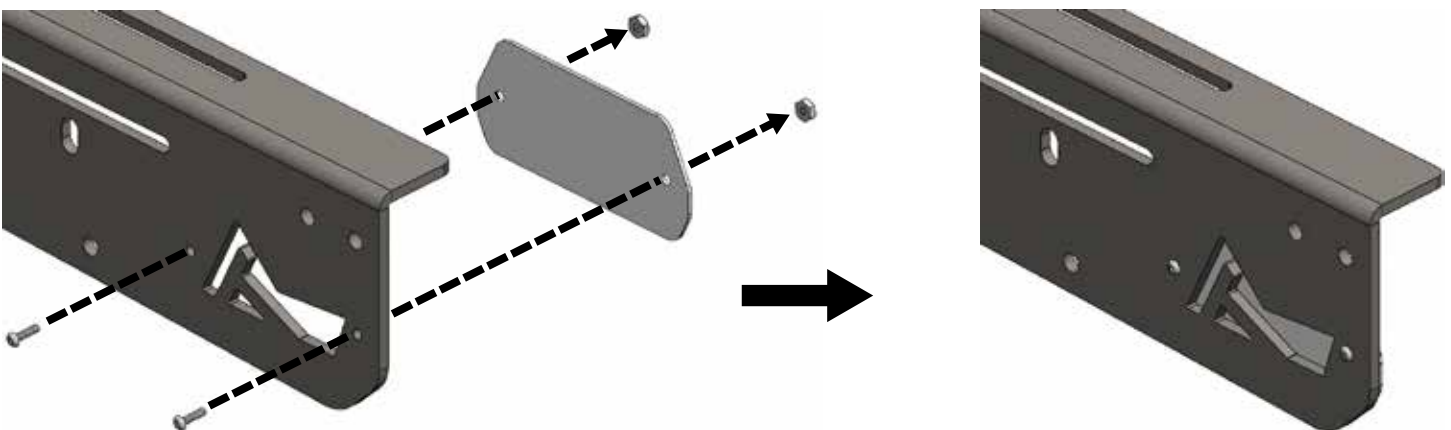
STEP 3

USE (2) 5-40 X 1/2" BOLTS AND (2) 5-40 NUTS TO INSTALL ONE LOGO PLATE TO THE FRONT WIND DEFLECTOR PLATE.



STEP 4

USE (2) 5-40 X 1/2" BOLTS AND (2) 5-40 NUTS TO INSTALL EACH LOGO PLATE TO THE DRIVER AND PASSENGER SIDE RAILS.

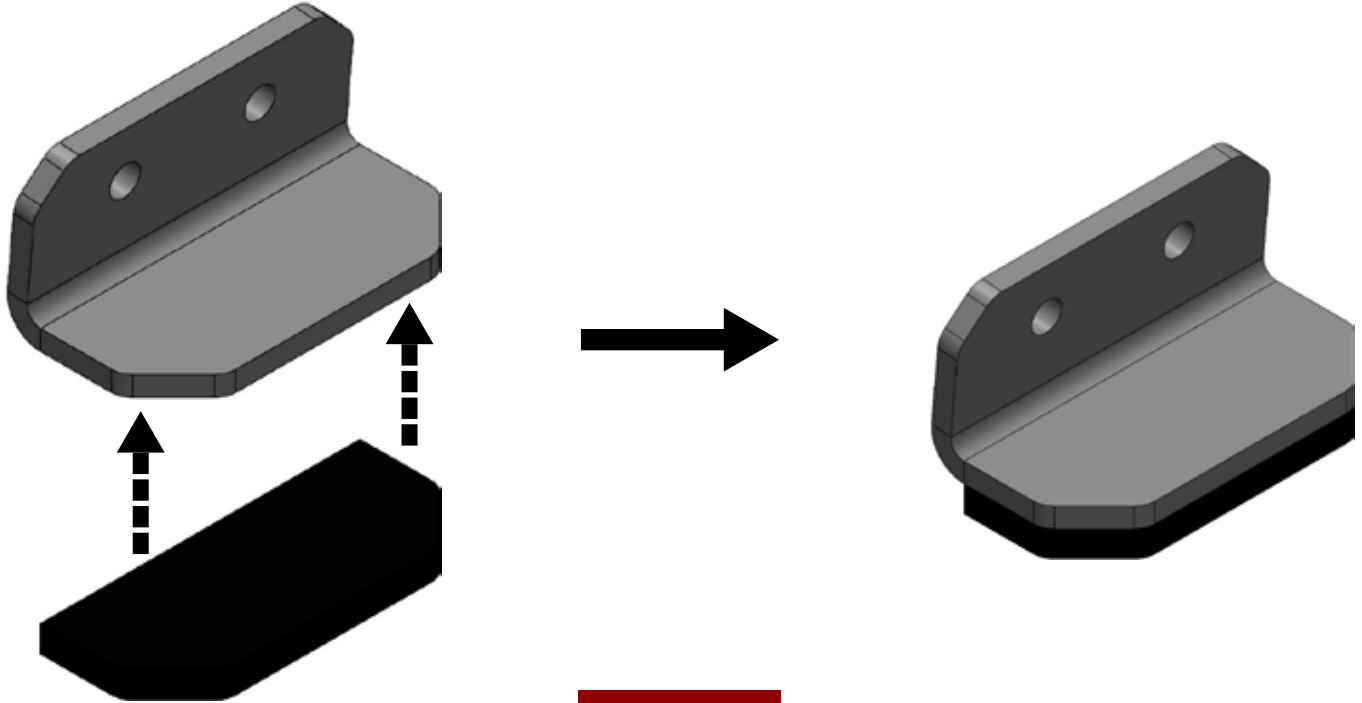


TRMR ROOF RACK PRE-ASSEMBLY



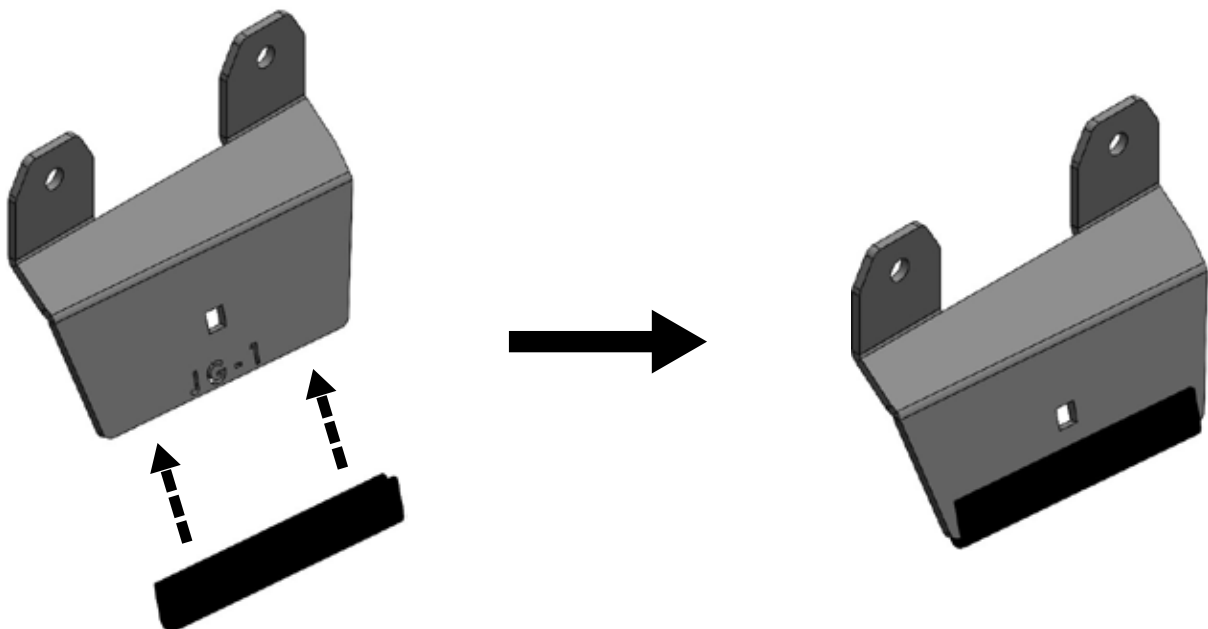
STEP 5

REMOVE PAPER STRIP FROM RUBBER PAD AND PLACE ONTO UNDERSIDE OF THE INSIDE SUPPORT BRACKET (**JG-4**). REPEAT PROCESS FOR ALL EIGHT INSIDE SUPPORT BRACKETS. TRIM ANY EXCESS MATERIAL.



STEP 6

PRESS INSIDE CLAMP RUBBER SEAL ONTO THE BOTTOM FACE OF THE CLAMP. PRESS ON FIRM, YOU WILL FEEL A POSITIVE FEED BACK. REPEAT PROCESS FOR ALL DS, PS, AND UNIVERSAL INSIDE CLAMPS.



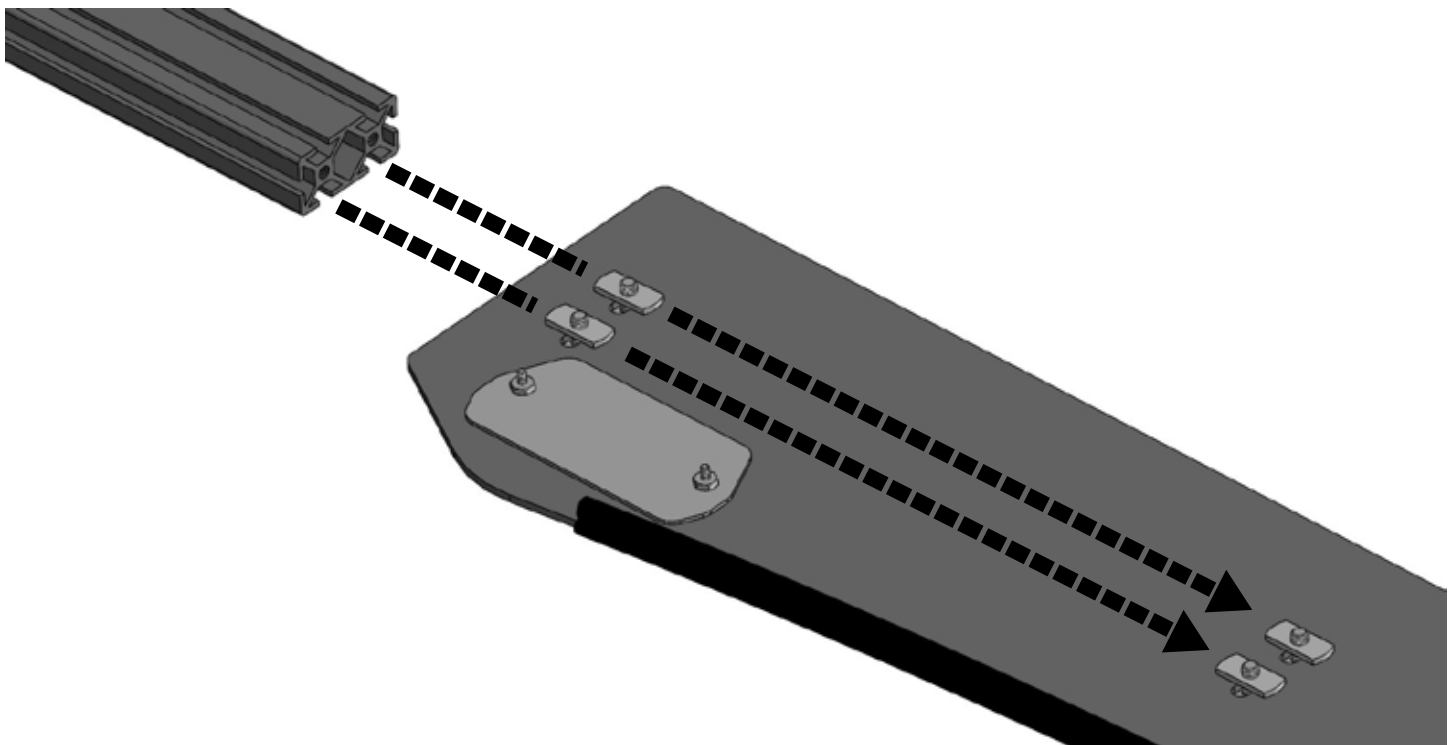


TRMR ROOF RACK ASSEMBLY



STEP 1

SLIDE ONE ALUMINUM EXTRUSION ONTO THE WIND DEFLECTOR'S T-NUTS. **DO NOT** FASTEN THE 1/4"-20 BLACK OXIDE BUTTON HEAD BOLTS AT THIS TIME.



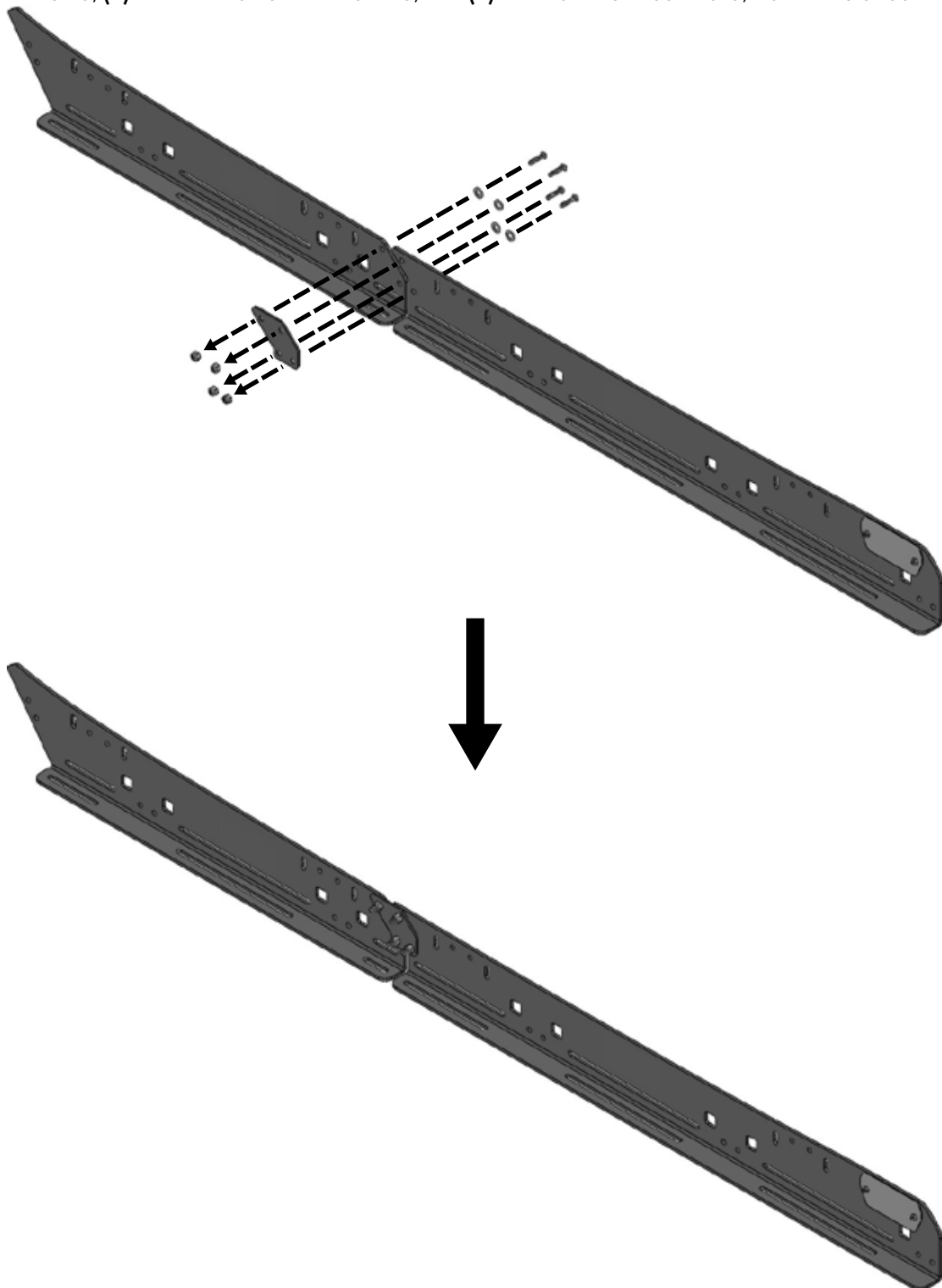


TRMR ROOF RACK ASSEMBLY



STEP 2

INSTALL CONNECTOR PLATE (**JG-9**) TO BOTH FRONT AND REAR SIDE FAIRINGS USING (4) 1/4"-20 X 1" BLACK OXIDE BUTTON HEAD BOLTS, (4) 1/4" ID BLACK OXIDE WASHERS, AND (4) 1/4"-20 NYLON LOCK NUTS, TIGHTEN TO SNUG.



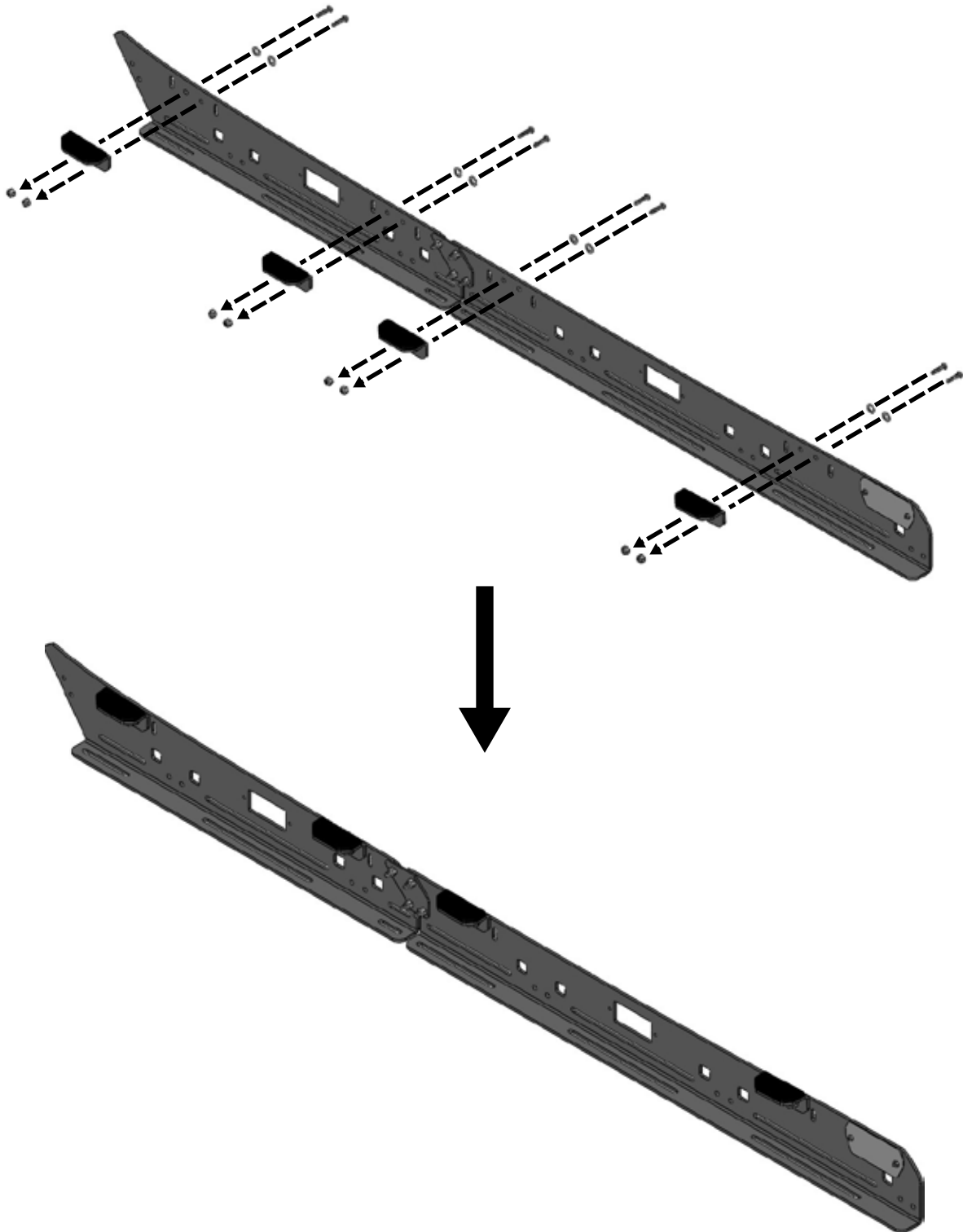


TRMR ROOF RACK ASSEMBLY



STEP 3

INSTALL INSIDE SUPPORT BRACKETS (**JG-4**) USING (2) 1/4"-20 X 1" BLACK OXIDE BUTTON HEAD BOLTS, (2) 1/4" ID BLACK OXIDE WASHERS, AND (2) 1/4"-20 NYLON LOCK NUTS PER BRACKET . LEAVE LOOSE UNTIL **STEP 5**.



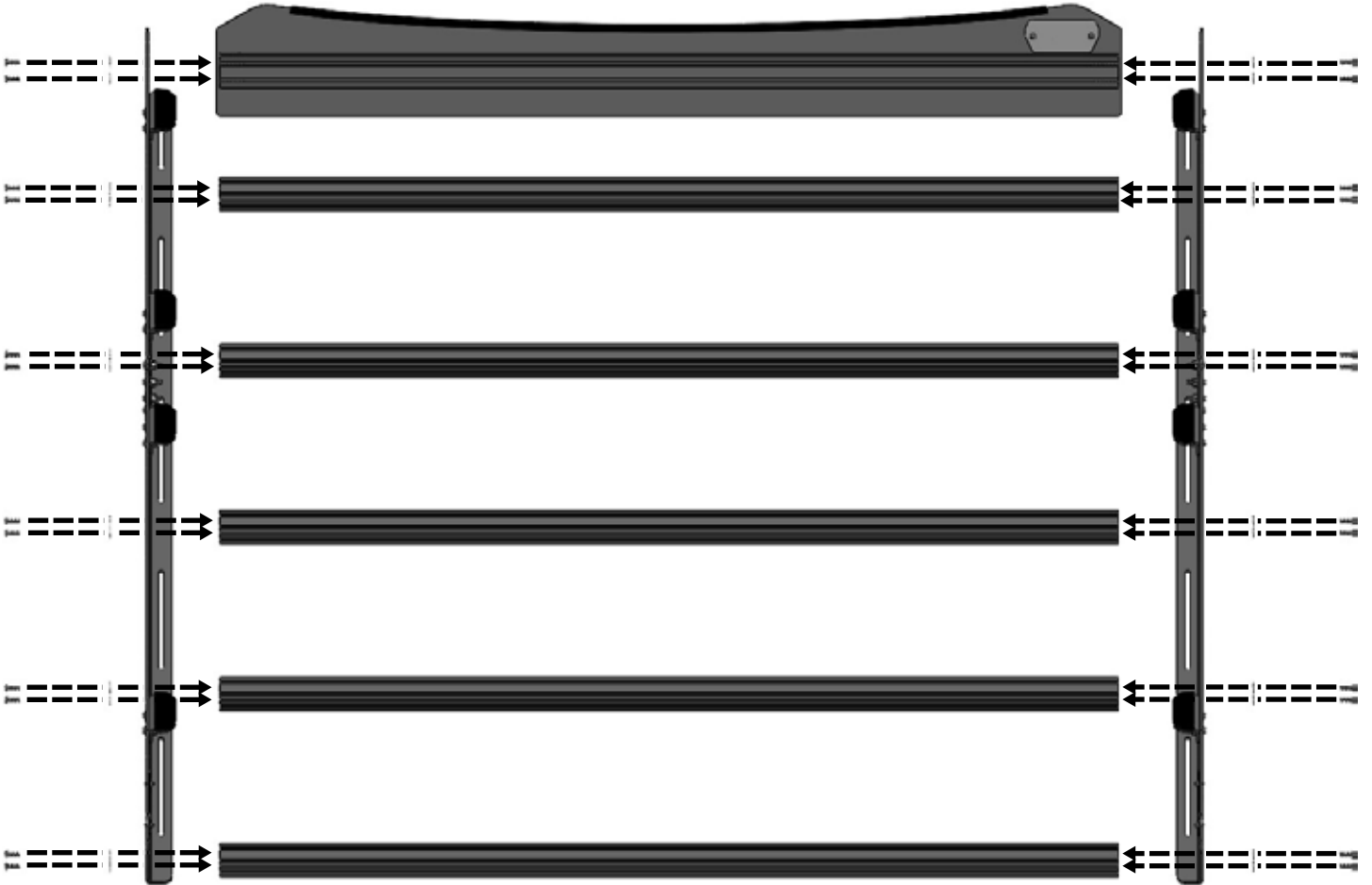


TRMR ROOF RACK ASSEMBLY



STEP 4

INSTALL EACH ALUMINUM EXTRUSION USING (4) 1/4" -20 X 3/4" BLACK OXIDE BUTTON HEAD BOLTS AND (4) 1/4" ID BLACK OXIDE WASHERS PER EXTRUSION. INSTALL WIND DEFLECTOR SUBASSEMBLY USING THE SAME HARDWARE AS THE EXTRUSIONS. ADD A SMALL AMOUNT OF LOCTITE TO EACH BOLT.



WARNING

MAKE SURE WIND DEFLECTOR REST ON TOP OF THE PASSENGER AND DRIVER SIDE RAILS.

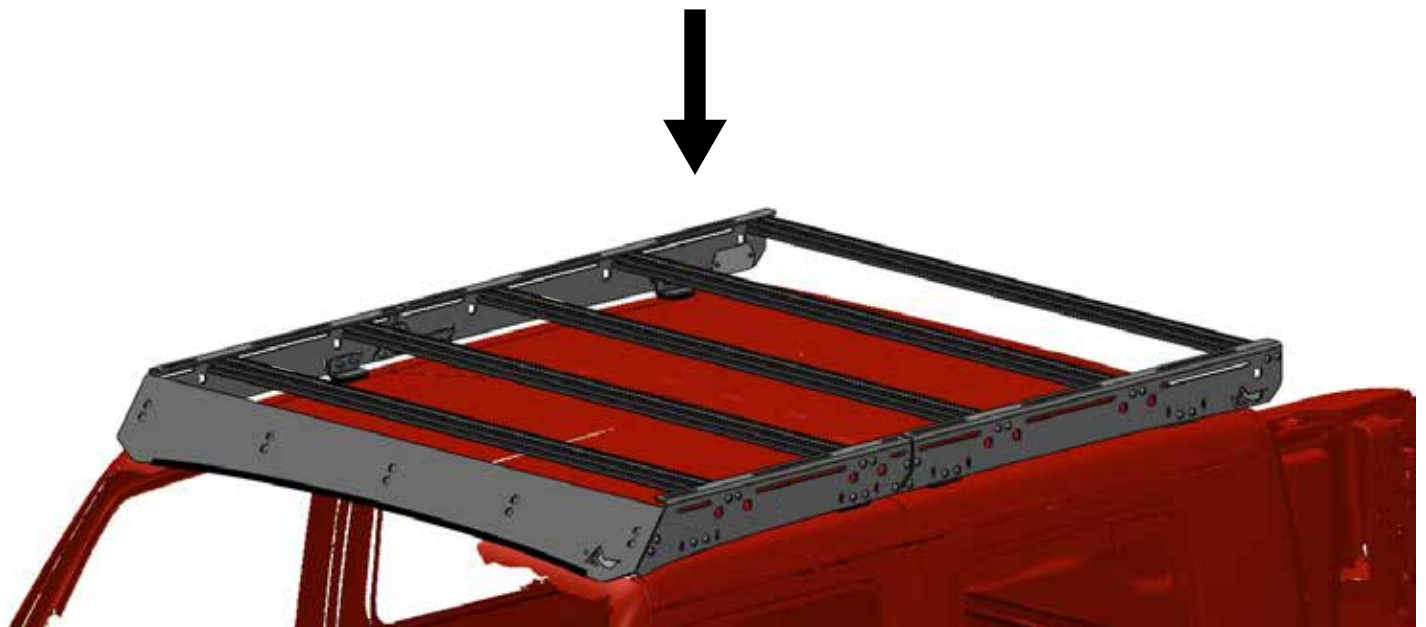
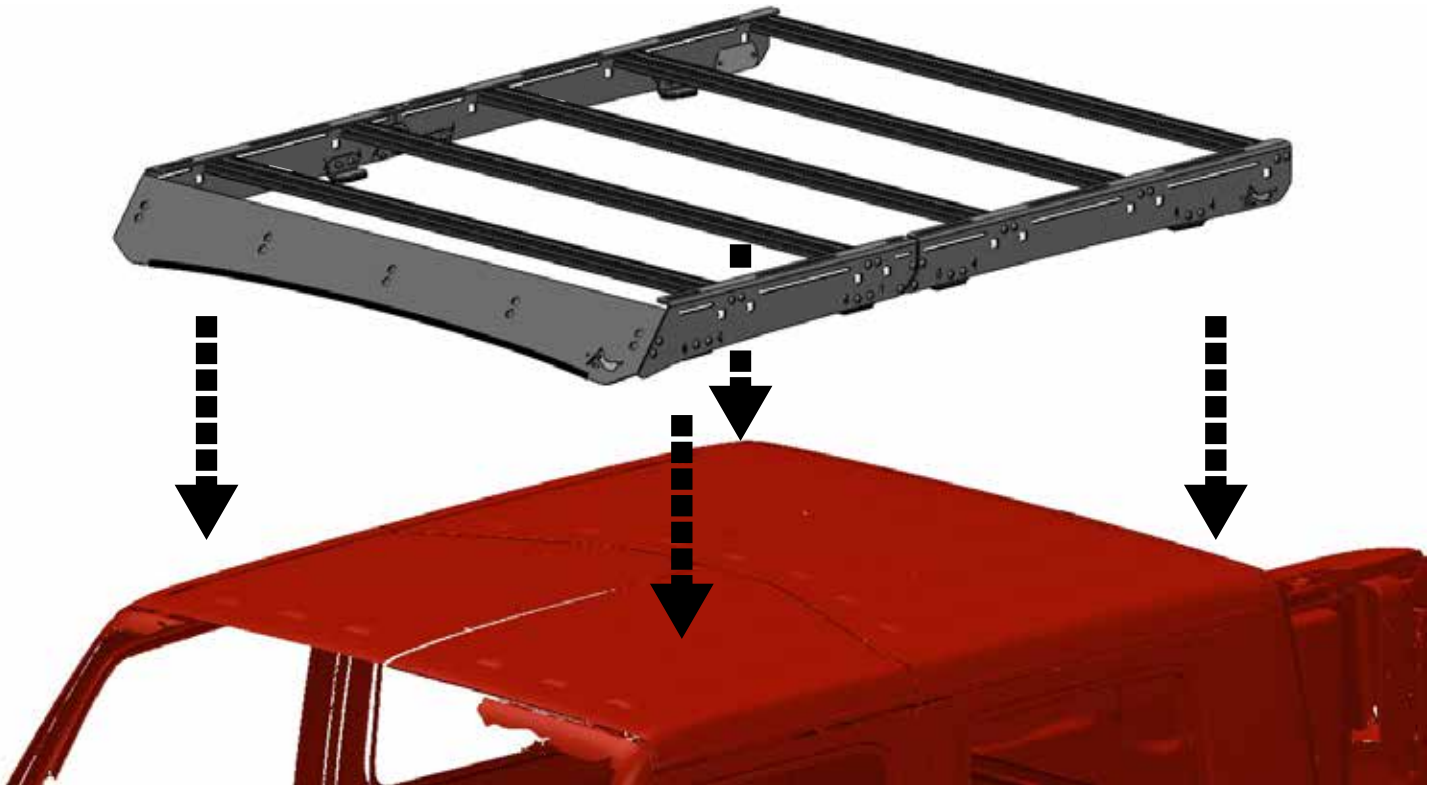


TRMR ROOF RACK ASSEMBLY



STEP 5

WITH AN EXTRA SET OF HANDS CAREFULLY PLACE THE PARTIAL RACK ONTO THE ROOF OF THE VEHICLE. CENTER THE ROOF RACK AND TIGHTEN EACH INSIDE SUPPORT BRACKET'S HARDWARE FROM **STEP 3**.



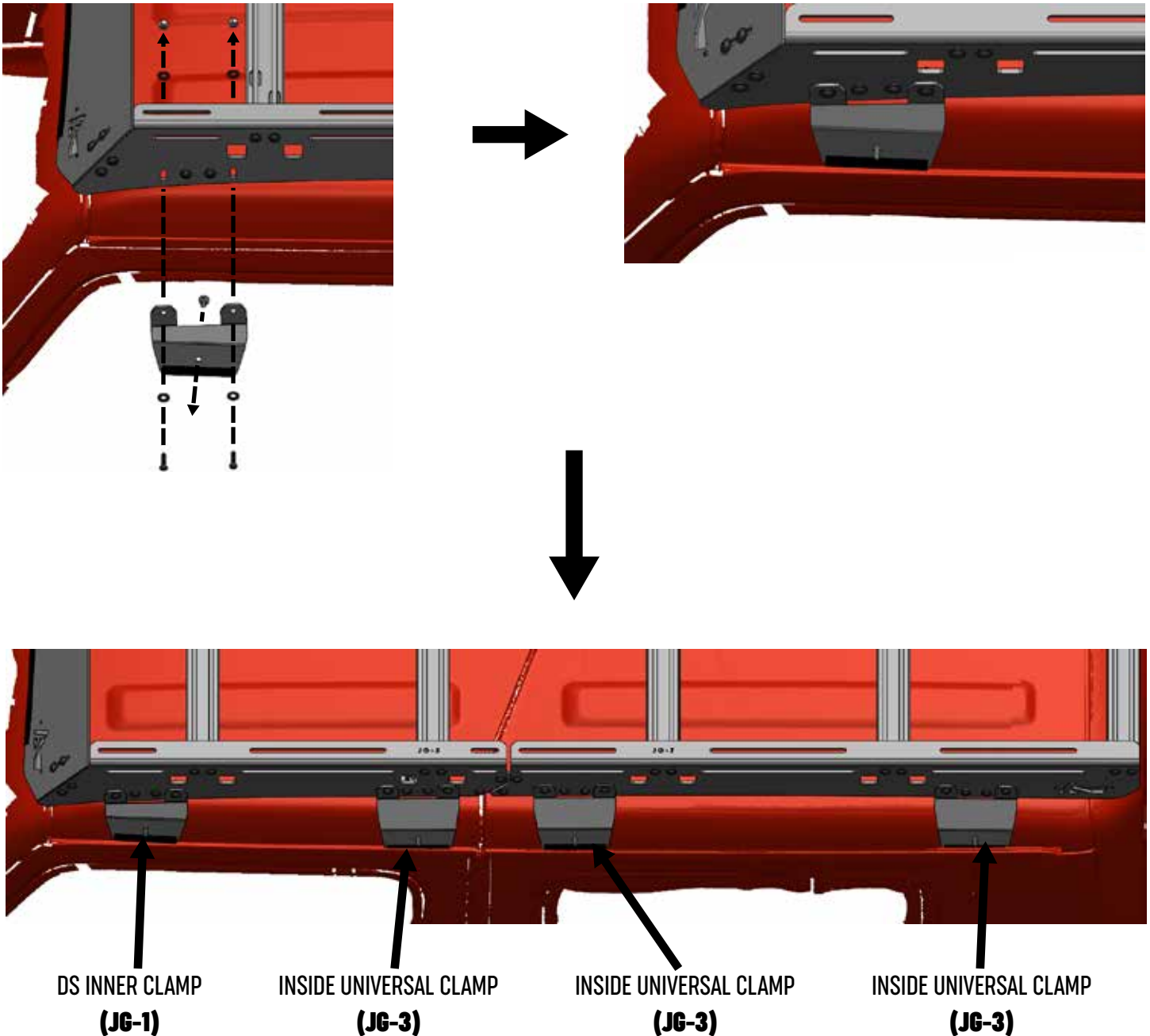


TRMR ROOF RACK ASSEMBLY



STEP 6

INSTALL INNER CLAMPS WITH DS INNER CLAMP (**JG-1**) ON THE FRONT DRIVER SIDE, PS INNER CLAMP (**JG-2**) ON THE FRONT PASSENGER SIDE, AND UNIVERSAL INNER CLAMP (**JG-3**) FOR ALL REMAINING MOUNTING POINTS. PLACE (1) 1/4"-20 X 5/8" CARRIAGE BOLT BEHIND EACH INNER CLAMP FACING AWAY FROM THE VEHICLE. LOOSELY INSTALL EACH CLAMP USING (2) 1/4"-20 X 1" BOLTS, (4) 1/4" ID WASHERS, (4) 1/4"-20 NYLON LOCK NUTS.





TRMR ROOF RACK ASSEMBLY



STEP 7

PLACE EACH UNIVERSAL OUTER CLAMP (**JG-10**) SO THAT IT GRIPS THE UNDERSIDE OF THE RAIN GUTTER AND TOP FACE OF THE INNER CLAMP. FASTEN DOWN OUTER CLAMP USING (1) 1/4"-20 NYLON NUT AND (1) 1/4" ID WASHER. FASTEN UNTIL THE TOP FLANGE OF THE OUTSIDE CLAMP BEGINS TO BOW OUTWARDS BUT DON'T OVER TIGHTEN. PRESS (1) 1/4"-20 NUT COVER OVER EACH OUTER CLAMP'S NYLON LOCK NUT. FASTEN EACH INSIDE CLAMP'S HARDWARE. AFTER RACK IS FULLY INSTALLED ADJUST FRONT WIND DEFLECTOR TO DESIRED POSITION AND TIGHTEN DOWN.

