

VIEW ONLINE



WEDGE THOUGHTBOARD

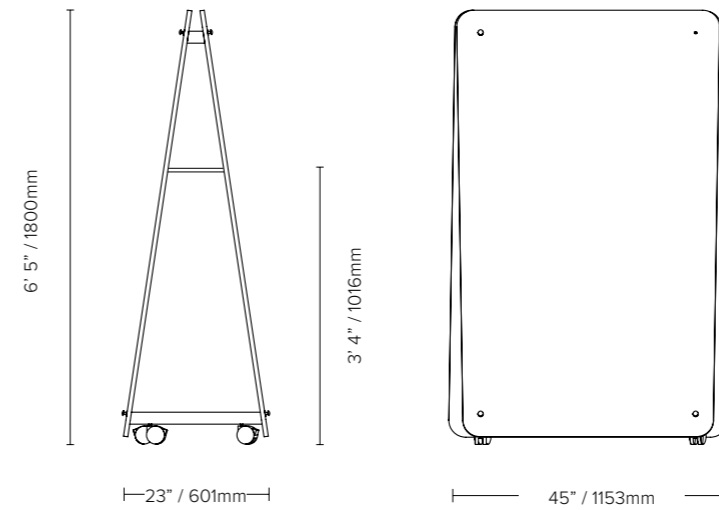
ONLY GECA CERTIFIED AGILE WHITEBOARDS ON THE MARKET

KEY FEATURES

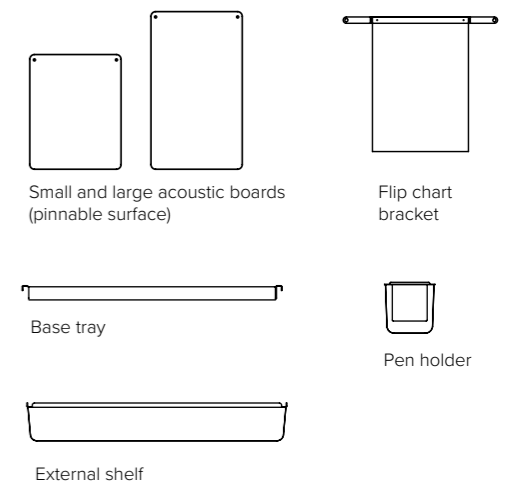
- Superior quality ceramic steel writing surface
- Choice of laminate backing
- Use multiple ThoughtBoards to create a straight or curved room divider
- High quality lockable castors for ease of movement, concealed to remove trip hazard
- Non-magnetic option available
- All versions include internal shelf
- Ships flat, easy to assemble, short lead times



SIZE



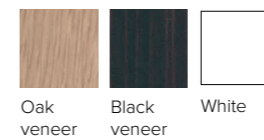
ACCESSORIES



PET COLORS



INTERIOR FINISH



EDGE PANEL

