

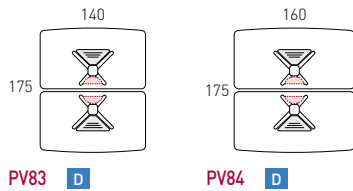
# POWER

—By ITEMDesign Works—

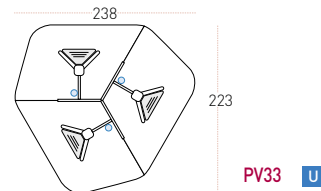


**POWER DESK - 100 SERIES**

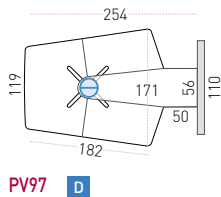
**DOUBLE DESK**



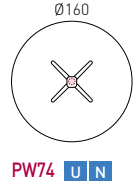
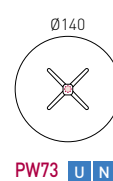
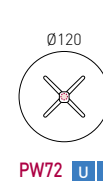
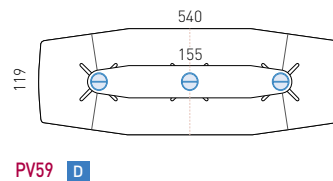
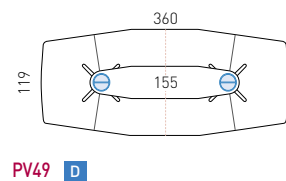
**TRIPLE DESK - GEN**



**VIDEO-CONFERENCE TABLE**



**MEETING TABLES**



Optional Access to wiring (pink square)      Included Access to wiring (blue square)

**TECHNICAL CHARACTERISTICS OF THE POWER RANGE - 100 SERIES**

**STRUCTURE**



- ① **Structure** realized in melamine board of 19/30 mm of thickness, like support of the work surface.
- ② **Lower container** made of 6 mm-thick steel sheet, with a large capacity for cable accesses.
- ③ **Column:**
  - Fixed Desks: 150 x 150 mm extruded aluminium.
  - Electronic Elevation Desks: Adjustable steel tube leg composed of one 137 x 137 mm section, plus a 150 x 150 mm extruded aluminium cover.
- ④ **Base:** Base with four 610 x 506 mm cross supports in individual and double desks, 610 x 400 mm in triple desks and 610 x 610 mm in meeting and videoconference tables, made of die-cast aluminium. Levellers made of PP.
- ⑤ **Work Surface**, made of 25 mm melamine with 2 mm thick edges, applied with hot melt adhesive and rounded to R = 2 mm; 13 mm phenolic or 10 mm crystal. Rounded corners. Different finishes.
- ⑥ **Cable accesses**, with a semicircular shape, made of die-cast aluminium. Flip-up cover.
- ⑦ **Silent Block**. System that minimize the noise of lifting of the table.

**TYPE OF DESKS**

The Power Tables 100 series offer 2 desk models, depending on the model:

**FIXED DESKS**

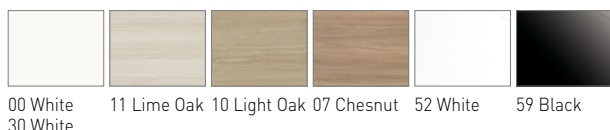


**ELECTRONIC ELEVATION DESK**

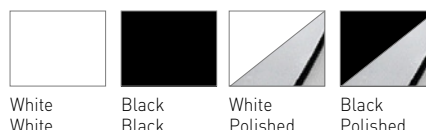


**FINISHES**

**SURFACES FINISHES**



**COLUMN / BASE COMBINATION**



**BASE**



Straight and double desk



Triple desk



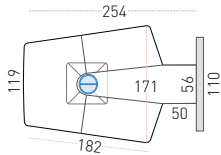
Meeting and video-conference table



**POWER DESK - 300 SERIES**

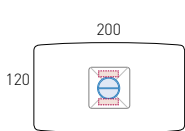


**VIDEO-CONFERENCE TABLE**

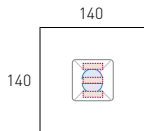


PV91 **D**

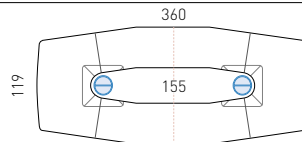
**MEETING TABLES**



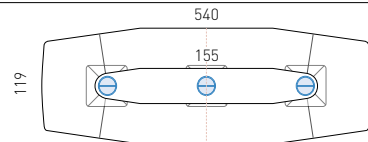
PV17 **D Q R**



PV43 **D Q R QC RC**



PV48 **D**



PV58 **D**

Optional Access to wiring      Included Access to wiring

**TECHNICAL CHARACTERISTICS OF THE POWER RANGE - 300 SERIES**

**■ STRUCTURE**

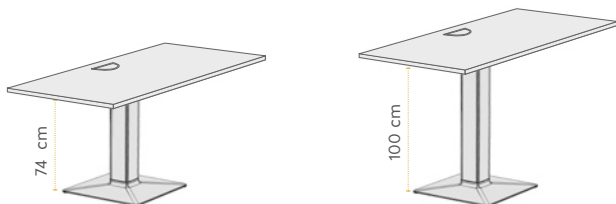


- ① **Structure** realized in melamine board of 25/30 mm of thickness, like support of the work surface.
- ② **Lower container** made of 6 mm-thick steel sheet, with a large capacity for cable accesses.
- ③ **Column:**
  - Fixed Desks: 150 x 150 mm extruded aluminium.
  - Electronic Elevation Desks: Adjustable steel tube leg composed of one 137 x 137 mm section, plus a 150 x 150 mm extruded aluminium cover.
- ④ **Base:** 610 x 610 mm square base, made of die-cast aluminium. Levellers made of PP. It include counterweight for greater stability.
- ⑤ **Work Surface,** made of 25 mm melamine with 2 mm thick edges, applied with hot melt adhesive and rounded to R = 2 mm; 13 mm phenolic or 10 mm crystal. Rounded corners. Different finishes.
- ⑥ **Cable accesses,** with a semicircular shape, made of die-cast aluminium. Flip-up cover.
- ⑦ **Silent Block.** System that minimize the noise of lifting of the table.

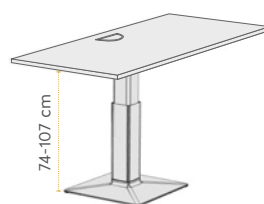
**■ TYPE OF DESKS**

The Power Tables 300 series offer 2 desk models, depending on the model

**FIXED DESK**



**ELECTRONIC ELEVATION DESK**



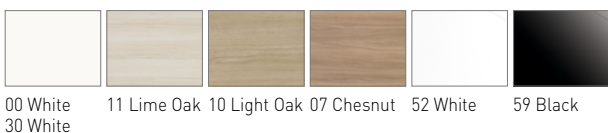
**■ BASE**



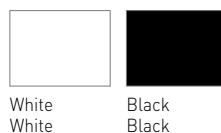
61 x 61 cm square base, made of die-cast aluminium

**■ FINISHES**

**SURFACES FINISHES**

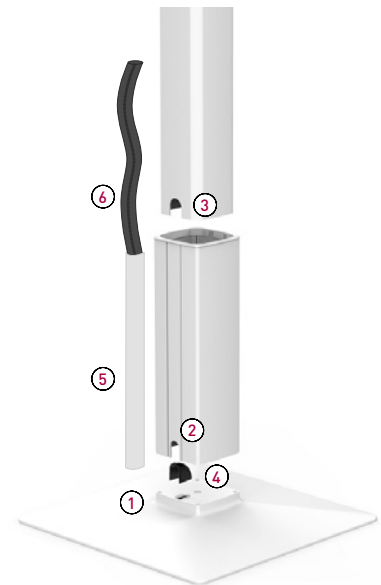


**COLUMN / BASE COMBINATION**



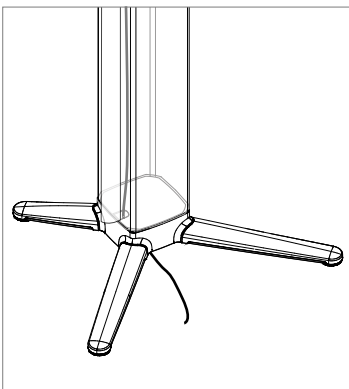
Power incorporates a cabling management system that allows the cabling to be hidden in an efficient and simple way, optimizing its use and avoiding possible accidents caused by bad electrical cabling. In addition, with the help of the rise of metallic wiring and the rise of cloth cables, a visual cleaning of the wiring in the tables is achieved.

- ① **Window** made in the base, to allow the lower passage of the wiring
- ② **Window** made in the external column, which allows the exit of the wiring, for its correct connection with the peripherals deposited in the metallic container.
- ③ **Window** realized in the interior column, that allows the coupling in the polypropylene cable guide placed in the base of the pedestal.
- ④ **Cable guide** made of polypropylene placed at the base of the base of the base.
- ⑤ **Metal riser cables**, with clip-on system in the grooves of the power column, which allows simple wiring guidance, providing visual cleanliness.
- ⑥ **Textile cable riser**, with zipper system, with additional protection against flames and abrasion.



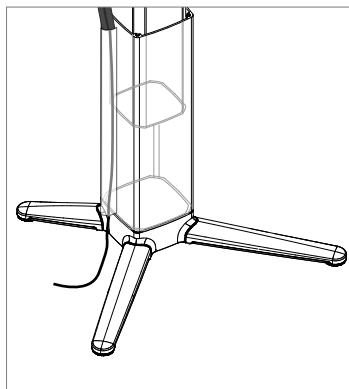
CABLE MANAGEMENT ACCORDING TO POWER MODEL

100 Series - Fixed Height



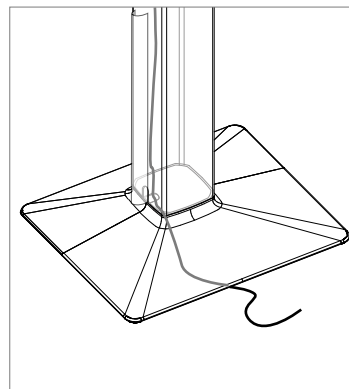
- ① **Window** made in the base, to allow the lower passage of the wiring.
- ⑤ **Metal riser cables**, with clip-on system in the grooves of the power column, which allows simple wiring guidance, providing visual cleanliness.

100 Series - Elevable Height



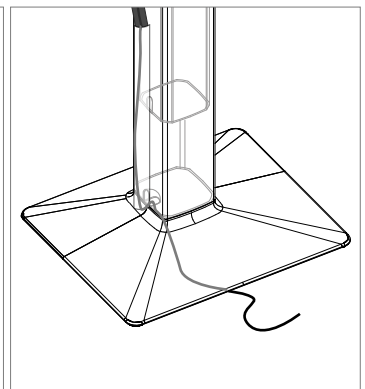
- ⑤ **Metal riser cables**, with clip-on system in the grooves of the power column, which allows simple wiring guidance, providing visual cleanliness.
- ⑥ **Textile cable riser**, with zipper system, with additional protection against flames and abrasion.

300 Series - Fixed Height



- ① **Window** made in the base, to allow the lower passage of the wiring.
- ⑤ **Metal riser cables**, with clip-on system in the grooves of the power column, which allows simple wiring guidance, providing visual cleanliness.

300 Series - Elevable Height



- ① **Window** made in the base, to allow the lower passage of the wiring.
- ② **Window** made in the external column, which allows the exit of the wiring, for its correct connection with the peripherals deposited in the metallic container.
- ③ **Window** realized in the interior column, that allows the coupling in the polypropylene cable guide placed in the base of the pedestal.
- ④ **Cable guide** made of polypropylene placed at the base of the base of the base.
- ⑤ **Metal riser cables**, with clip-on system in the grooves of the power column, which allows simple wiring guidance, providing visual cleanliness.
- ⑥ **Textile cable riser**, with zipper system, with additional protection against flames and abrasion.

**POWER VIDEO-CONFERENCE**



**1** Maximum weight and sizes

TV

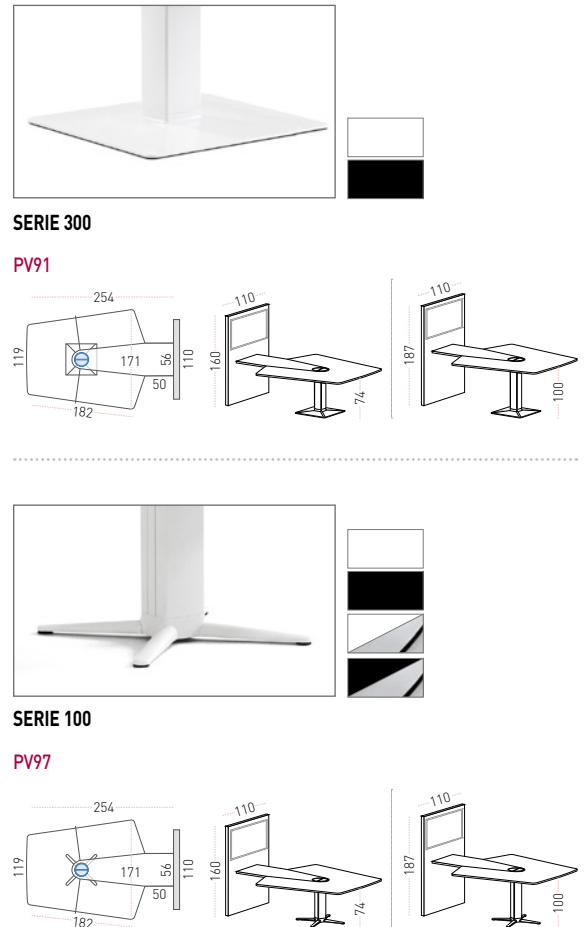
65"

maximum **35kg**

**FEATURES**

- 1 Structure** realized in melamine board of 25/30 mm of thickness, like support of the work surface.
  - 2 Lower container** made of 6 mm-thick steel sheet, with a large capacity for cable accesses.
  - 3 Column:** 150 x 150 mm extruded aluminium.
  - 4 Base:**
    - **SERIE 100:** Base with four 610 x 610 mm cross supports, made of die-cast aluminium. Levellers made of PP.
    - **SERIE 300:** 610 x 610 mm square base, made of die-cast aluminium. Levellers made of PP.
  - 5 Work Surface,** made of 25 mm melamine with 2 mm thick edges, applied with hot melt adhesive and rounded to R = 2 mm. Rounded corners. Different finishes.
  - 6 Cable accesses,** with a semicircular shape, made of die-cast aluminium. Flip-up cover. 3 types:
    - Without Power Frame
    - 2 units x Power Frame without Dedicated CPU. It includes: HDMI + 2 Powers
    - 2 units x Power Frame with Dedicated CPU. It includes: 2 USB- 3.0 + HDMI + Power
  - 7 Steel Cable Tray,** as the same finish than the structure. Includes a module for connection:
    - EU: 3 power modules - GX30 + Cable with Power GX21
    - UK: 3 power modules - GX30L + Cable with Power GX21L
    - US: 3 power modules - GX30D + Cable with Power GX21D
- 1** MFC with aluminium frame "TV" panel fixed on table. "TV and wiring not included".
- 2** ABS levellers with anti-skid pad for fixed TV Panel.
- 3** Fixing points for monitors as per VESA 200, 300 and 400. Interior fixing points for CPU (As per VESA 75 and 100).

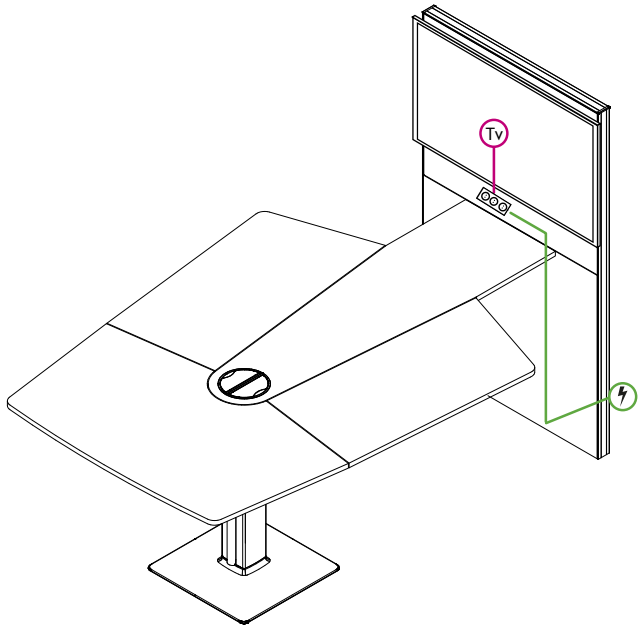
**CONFIGURATION EXAMPLES**



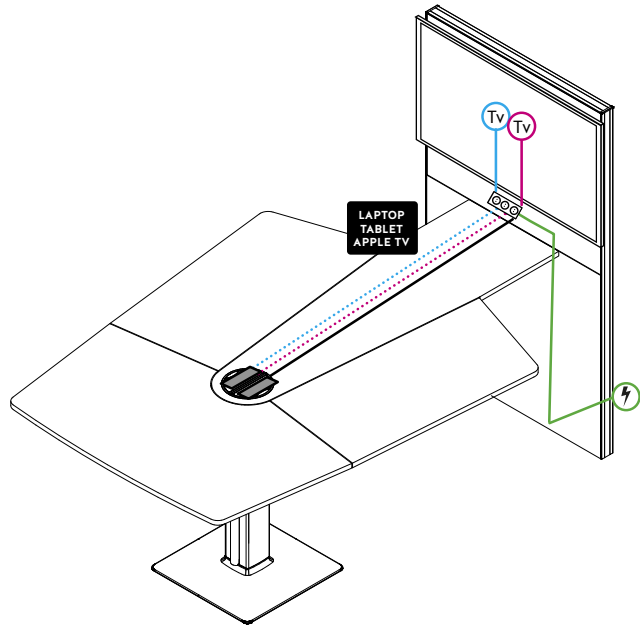
**NOTE: Computers and/or Televisions are not included in the price.**

**POWER VIDEO-CONFERENCE - ELECTRONIC DEVICES**

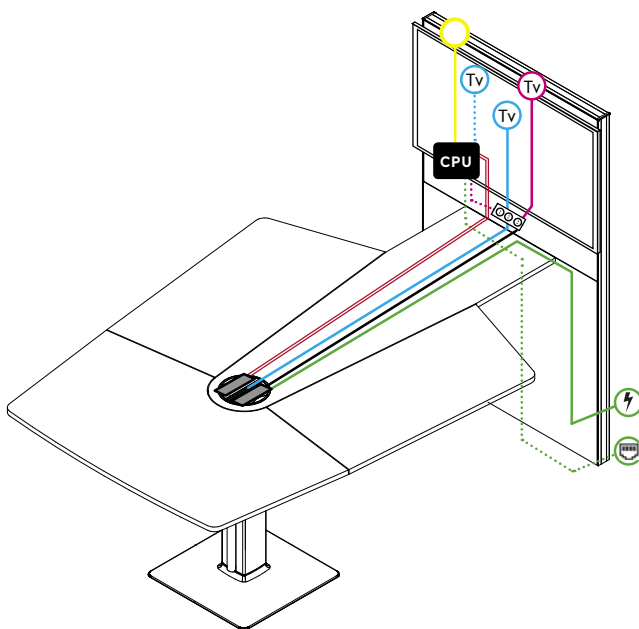
**SCREEN WITHOUT POWER FRAME**








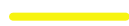





**SCREEN WITH POWER FRAME  
NO CPU  
(HDMI + SCHUKO)**



**SCREEN WITH POWER FRAME  
WITH CPU (not included)  
(HDMI + USB + SCHUKO)**



• **CAPTION**

-  HDMI 1 (This cable connects TV to Power frame)
-  HDMI 2 (This cable connects TV to CPU)
-  TV ELECTRICITY (this cable connects TV to electricity)
-  CPU ELECTRICITY (this cable connects CPU to electricity)
-  USB - 2 UDS. (These cables connect CPU with power frame)
-  WEBCAM (This cable connects webcam with CPU)
-  GENERAL ELECTRICITY (This cable connects multiple connector to electricity)
-  CABLE RED (This cable connects CPU to Ethernet point)
-  PF ELECTRICITY (This cable connects power frame to GX30)
-  GX30 (Located where power frame is connected, tv and the CPU electricity, in the panel)
-  POWER FRAME: USB (2ud) + HDMI (1ud) + Shuko (1ud). (Devices are connected outwardly. HDMI of the tv and 2 USB are connected to CPU inwardly).

■ **CABLE ACCESS MANAGEMENT**



**Semicircular Cable Access**  
Straight desk  
Direction desk



**Double Semicircular Cable Access**  
Meeting Desk  
Video-Conference Desk



**Cable Access "U"**  
Triples Desk - Gen  
Storage units Power



**Cable Access "N"**  
Triples Desk - Gen

■ **FOOTRESTS**



**ABS footrests**  
Footrests in a black finish  
(Only Serie 100)

■ **MODESTY PANELS**

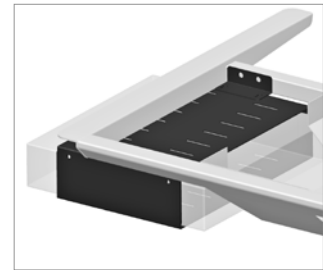


**MFC or Steel**

■ **CPU SUPPORT / RISE CABLES**



**Metal riser cables**  
Extruded aluminum.  
Anclada a la columna de la mesa



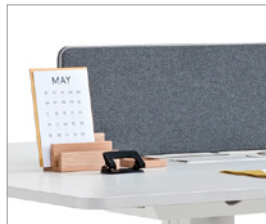
**CPU SUPPORT**  
(Only straight desk and double desk  
Serie 100)

■ **SCREENS FOR TABLES**

POWER offers a variety of screen options. Fully upholstered, with aluminium profiles or guides for attaching 3rd level elements, upholstered, sound absorbing or made of glass. Power also has moveable screens that incorporate a stable support system without being attached.



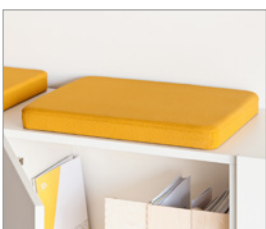
Attached Screens for double  
and triple desks – 100 series



Attached and Moveable Desk Top Screens placed on the surface of the desk top (for 140 x 140 and 160 x 160 cm desks with a single desk top – 300 series).



■ **ACCESSORIES FOR STORAGE UNITS**



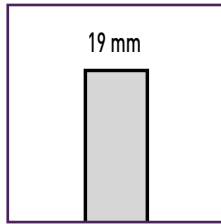
Pads



■ **Desks mounted screens**

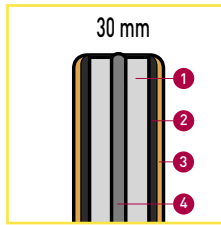
Desk-Mounted screens, different sizes available, fixing kits and finishes. Easy to be adapted to any surface. They provide visual contact but at the same time privacy. Twin desks with electrification system have their own desk-mounted screens

■ **DESK MOUNTED SCREENS OFFER**



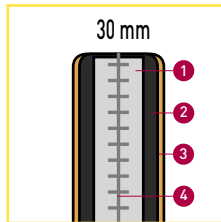
**MFC SCREEN - e=19mm**

19 mm thick Chipboard



**UPHOLSTERED SCREEN WITH FLEXIBLE PROFILE - e=30mm**

- ① 19 mm thick Chipboard
- ② Foam thickness e= 5 mm and 60 Kg/m<sup>3</sup> density (etotal= 30 mm)
- ③ Different fabrics available glued using water glue.  
- Optional accoustic or fire resistant fabrics for projects.
- ④ 8mm thick flexible Profile



**UPHOLSTERED SCREEN. SEWAN AND SEATHED - e=30mm**

- ① 19 mm thick Chipboard
- ② Foam thickness e= 5 mm and 60 Kg/m<sup>3</sup> density (etotal= 30 mm)
- ③ Different fabrics available glued using water glue.  
- Optional accoustic or fire resistant fabrics for projects.
- ④ Sewn and sheathed.





**MATERIALS**

Maximum use of materials to eliminate and minimize scraps. Use of recyclable and recycled materials in those components that do not affect the functionality and durability.

**58,67%**  
RECYCLED  
MATERIALS



**PRODUCTION**

Maximum optimization of energy use. Minimal environmental impact. Last generation technological systems. Zero discharge of wastewater. No VOC coatings. Processes free of heavy metals, phosphates, OC and COD.

**100%**  
RECYCLABLE  
ALUMINIUM, STEEL  
& WOOD



**TRANSPORT**

Detachable systems. Volumes that facilitate the optimization of space. Maximum reduction of energy consumption by transport.

**100%**  
RECYCLABLE  
PACKAGE AND THINNER  
FREE



**USE**

Quality and warranty. Long lasting. Replacements available.

**EASY**  
TO CLEAN  
AND MAINTAIN



**DISPOSAL**

Waste reduction. Supplier-manufacturer packaging reuse system. Components are easy to be separated. Inks in packaging are water-based, without solvents.

**97,90%**  
RECYCLABLE  
MATERIALS

■ **CERTIFICATES AND REFERENCES**

The different programmes get points in different environmental categories to get the LEED certificate (sustainability, material and resources, water, energy and atmosphere, inner environment quality, innovation and design).



The mark of responsible forestry



EN ISO 14006:2011  
ECODESIGN Certificate



UNE-EN ISO 9001:2008  
ISO 9001 Certificate



UNE-EN ISO 14001:2004  
ISO 14001 Certificate



E1 Certificate  
by EN 13986



California 93120  
Compliant Formaldehyde Phase 2



ACTIU TECHNOLOGY PARK  
LEED® PLATINUM certified by USGBC  
Leadership in Energy & Environmental Design  
LEED® Gold certified 2011 - LEED® Platinum certified 2017

■ **STANDARDS**

**POWER** has passed tests done in our technical department as well as the tests done in **AIDIMA** the Technological Institute for furniture. The tests correspond to UNE standards and office desks:

- **UNE: EN 15372:17.** Office Furniture. Strength, durability and safety. Requirements for domestic use desks. Office Furniture. Desks.