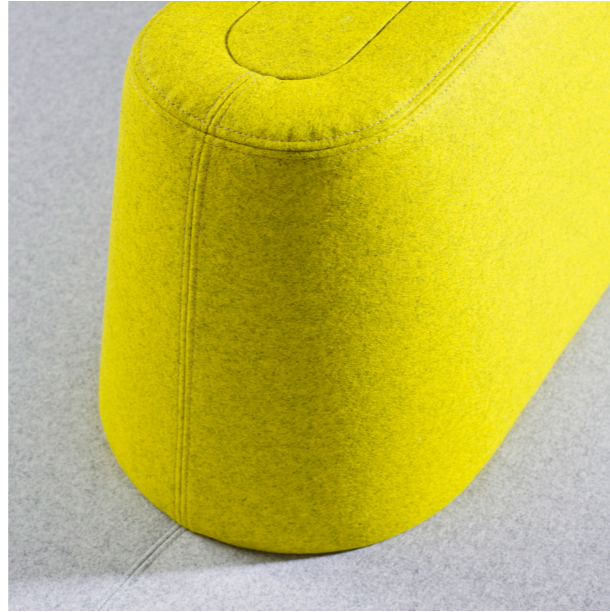


Pill

Pill is a bold range of sofas and ottomans designed for commercial applications, foyers and breakout areas. The collection and its iconic forms are highlighted by stitching details and generous proportions. Pill can also be adapted for power and data integration.

Pill



Product Details

Design

Alexander Lotersztain

Category

Seating

Environment

Indoor

Materials

Upholstery: Polyurethane foam with timber substrate upholstered in customers own material

Table inlay: American oak veneer

Upholstery



Fabric



Leather

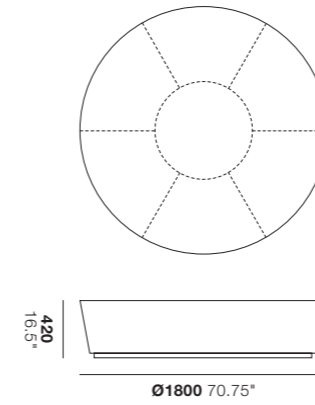
American Oak Veneer



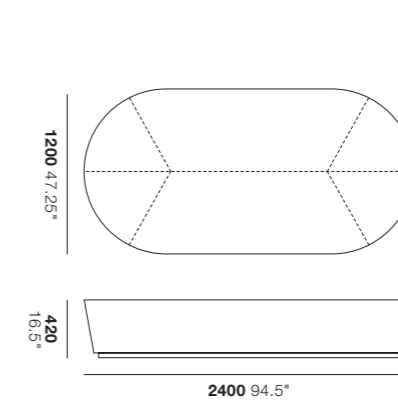
Natural

Ottoman

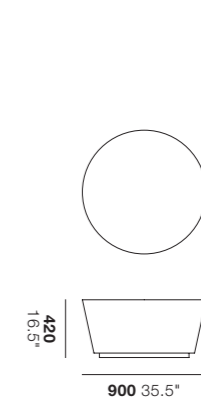
PIL-01



PIL-02

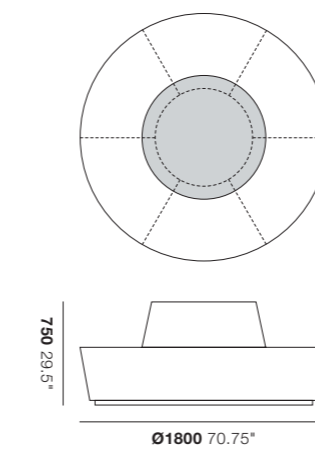


PIL-03

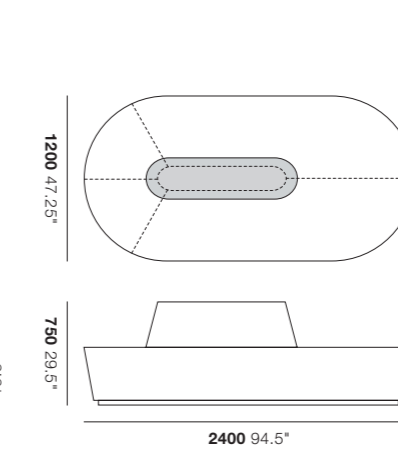


Seat

PIL-04

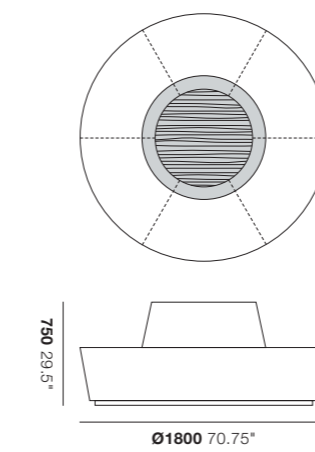


PIL-05



Seat with Table Inlay

PIL-04-A



PIL-05-A

