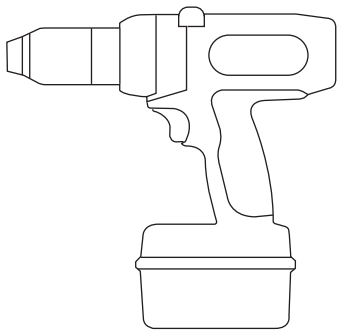
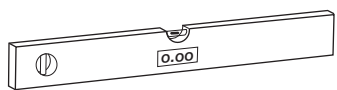


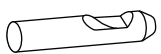
TOOLS REQUIRED



Drill



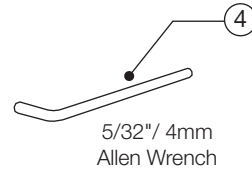
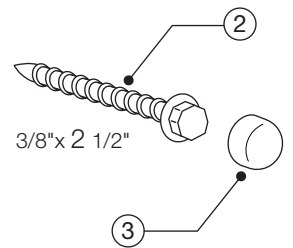
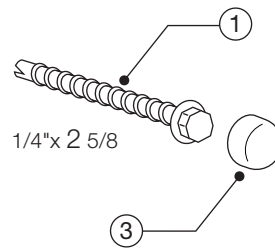
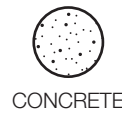
Level



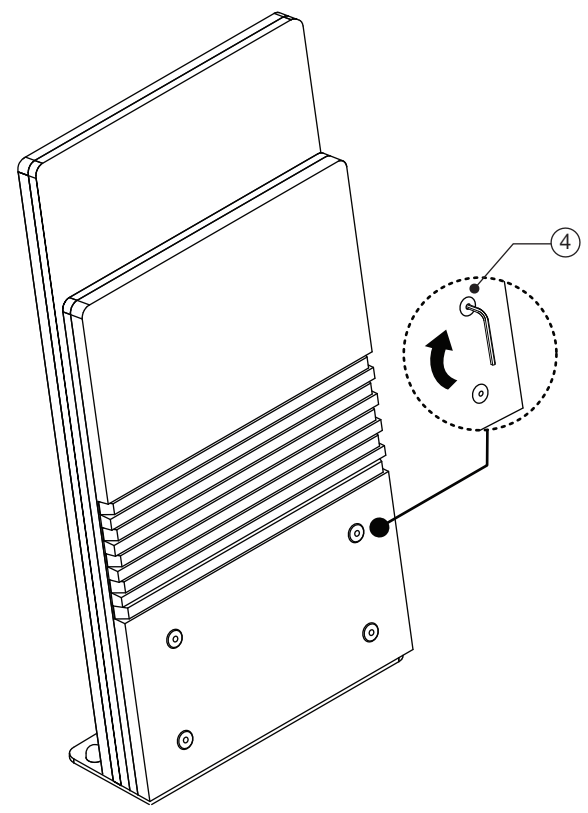
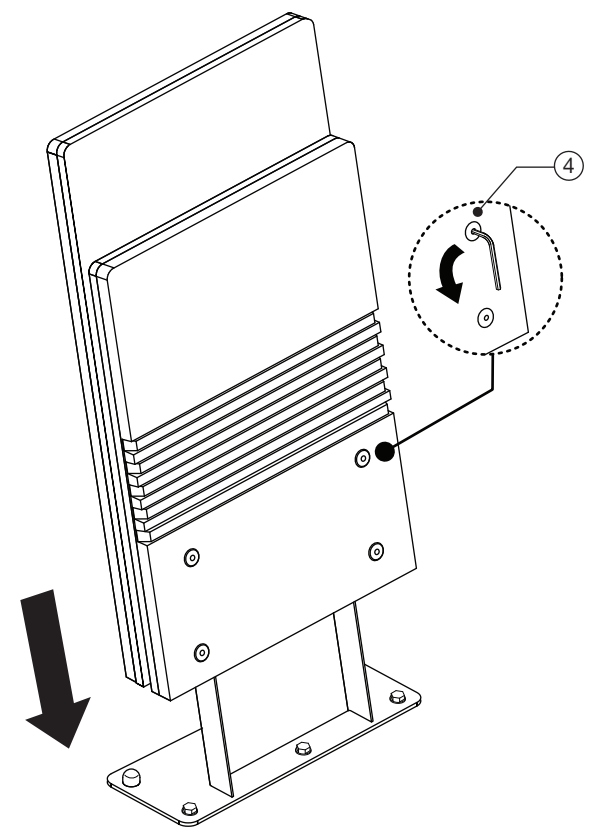
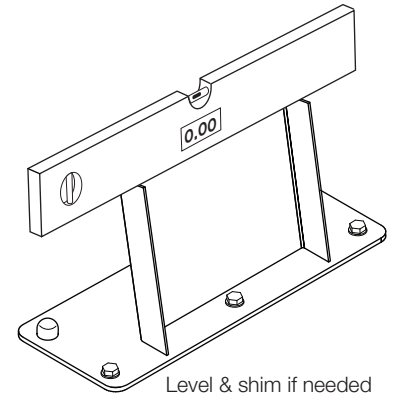
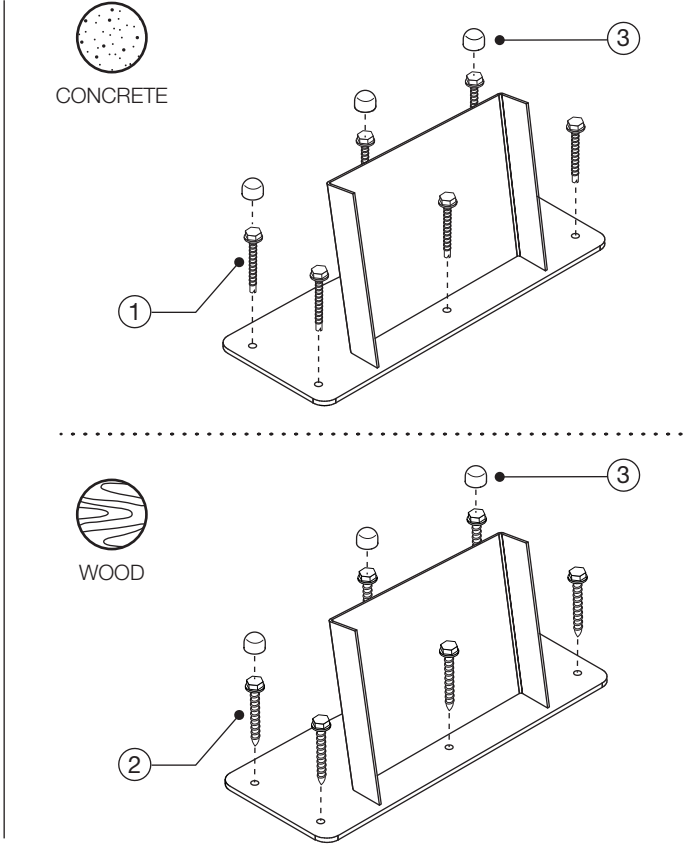
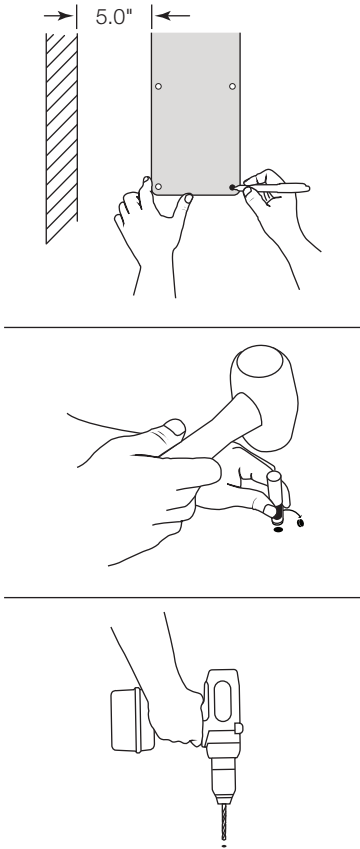
Carpet Punch



HARDWARE INCLUDED



JumpSeat® Assembly Instructions



JumpSeat® is a trademark of Aria Enterprises, Inc. used under license by Sedia Systems, Inc.
 Patents: www.sediasystems.com/patents

866.892.6130 www.sediasystems.com