



**+Halle®**

## Ø

Ø is a bench system, consisting of 6 different modules designed to meet the flexible requirements of daily use in modern environments. A series of small islands that work as individual modules or interlock with an upholstered backrest to create larger formations to suit the needs of your space. The organic shapes and multiple options create warm, welcoming and human seating areas. Ø is accessible from all sides, providing a space to socialize or work collaboratively in a diverse and informal setting.

### Designed by KILO

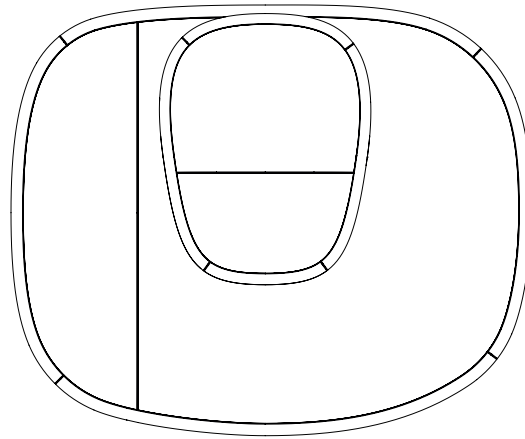
Kilo is an idea-driven industrial design studio creating with a holistic approach and often exploring the potential of crossbreeding elements or attributes from different disciplines, and turns them into new functional and aesthetic hybrids.



+Halle®

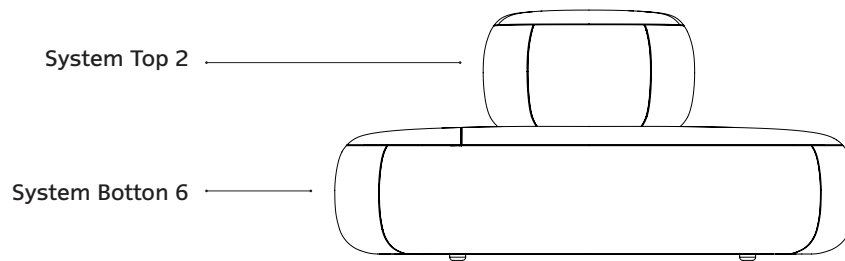


Ø small



135

163



System Top 2

40

System Botton 6

42

163

Dimensions defined in centimeters

**Design**

KILO

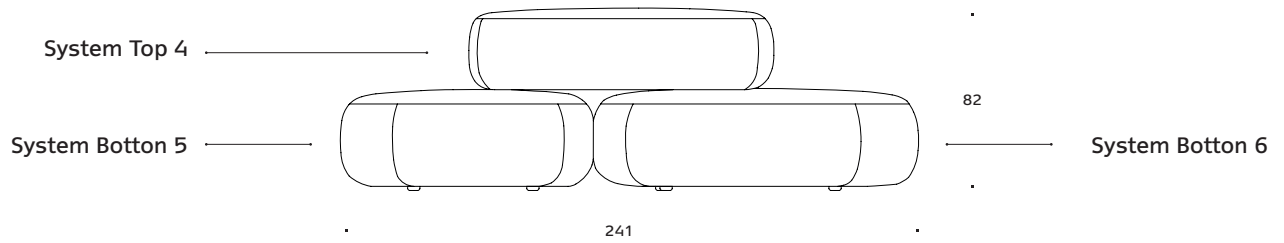
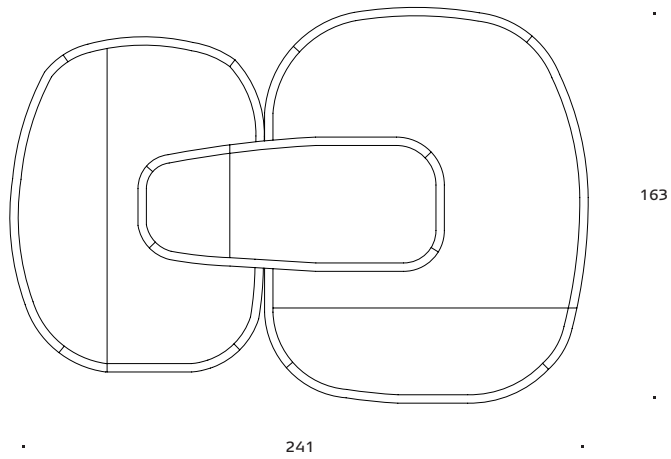
**Materials**

High quality foam on plywood frame. Plastic glides.

**Fabric**

Available in all fabrics and leather types.

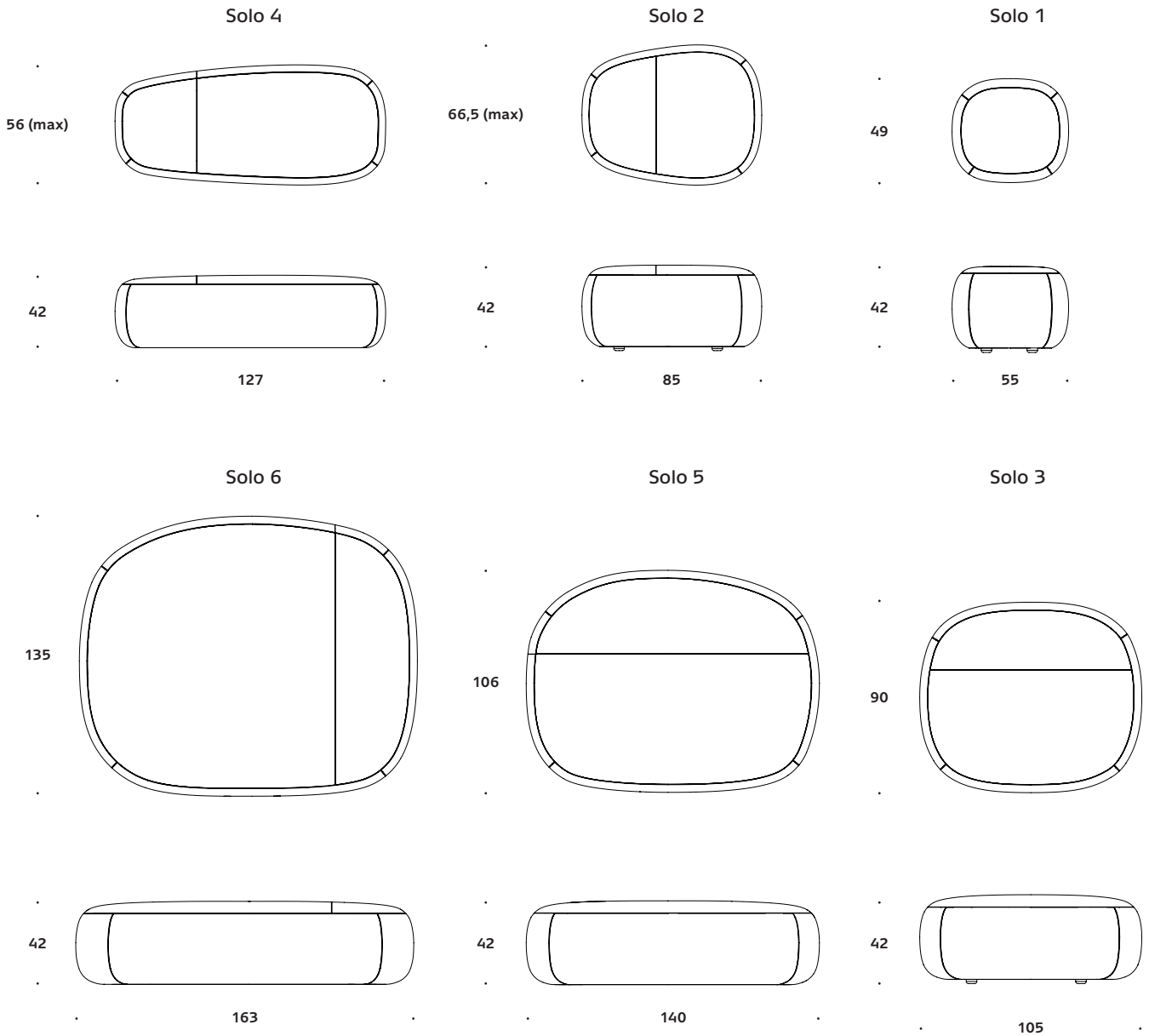
Ø Large



Dimensions defined in centimeters

**Design**  
**Material**  
**Fabric**

Kilo Design  
High quality foam on plywood frame. Plastic glides.  
Available in all fabrics and leather types.



Dimensions defined in centimeters

**Design**  
**Materials**  
**Fabric**

KILO  
High quality foam on plywood frame. Plastic glides.  
Available in all fabrics and leather types.

## Notes

A large grid of small dots for taking notes, consisting of 20 columns and 30 rows.

## Creating human spaces

**+Halle is a Danish high quality design furniture brand. We strive to add value to public areas by contributing to the creation of Human Spaces. The basic idea behind +Halle can be put down to a basic understanding of people.**