



# Ovation

Specification Guide

# Ovation

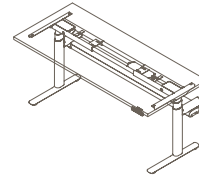
The Ovation Height-Adjustable Workstation System is the latest table system from Thinking Works.

It's unique oval profile and design elements provide countless possibilities and flexibility to suit any workplace environment.

# Ovation

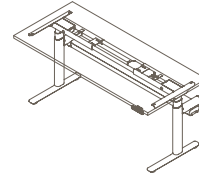
Electric

7-9



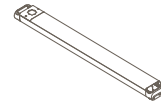
Fixed Height

10-13



Accessories

14-23



Safety Features

24



# Ovation

# Ovation Features

---

## Dimensions

Minimum Height	590mm
Maximum Height	1210mm

*(Dimensions to underside of worktop)*

Weight Capacity 2 leg	100kg
Weight Capacity 3 Leg	150kg

*(Evenly Distributed Load including worktop)*

*(Maximum Point Load 30kgs)*

---

## Functions

- 3 programmable height settings with Electronic Display
- Built-in Impact Stop Function
- 3 Stage lifting Column with Spindle Drive
- Travel Speed = 35mm/Second
- Noise <50dB
- Standby power consumption 0.5W

---

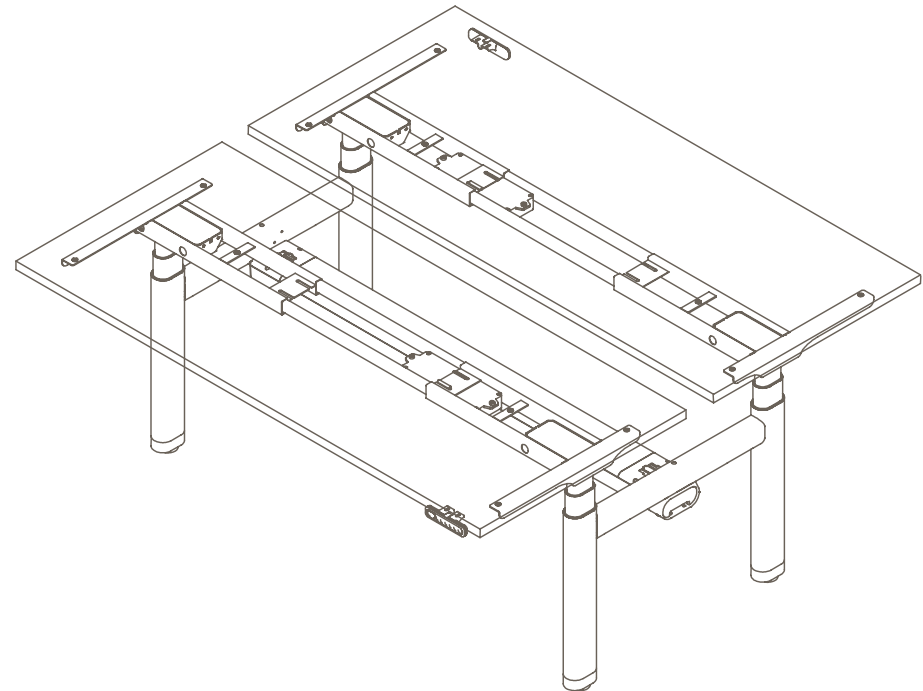
## Warranty

Electric Frame	10yrs
Electrical Components	5yrs

---

## Country of Origin

Australia



For additional Technical Information, please check with your local Thinking Works consultant.

# Ovation Finishes

## 1. Frame Powdercoat

All steel frame is available in Noir and Blanc powdercoat.



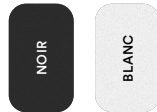
## 2. Cable Tray

Aluminium cable management tray is available in Noir and Blanc powdercoat.



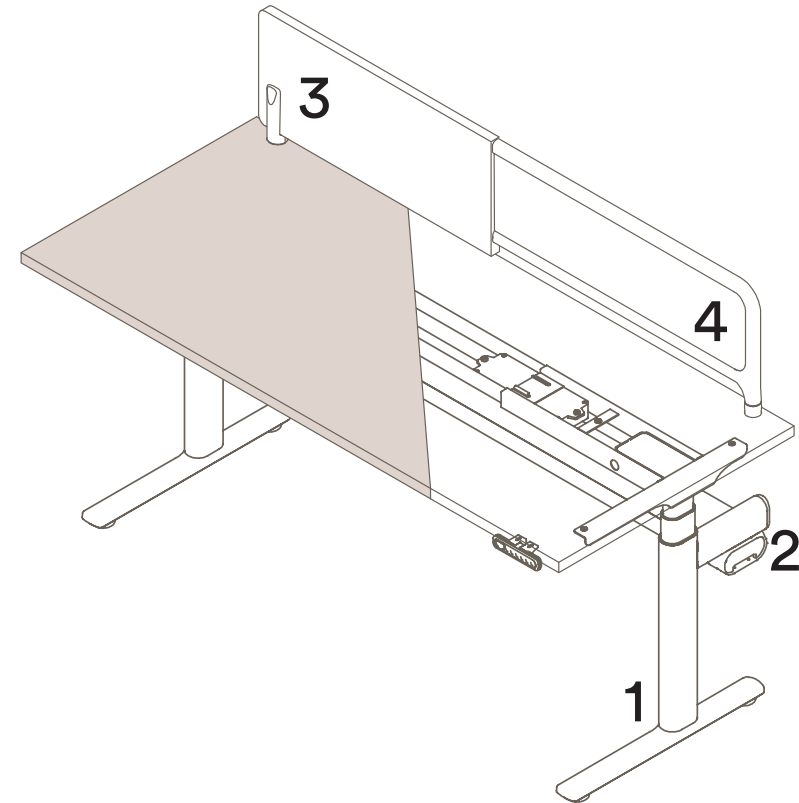
## 3. Acoustic Screen

Our Ovation screen is available in Dark Grey and Light Grey acoustic panel. Screen mounts are finished in Noir and Blanc powdercoat.



## 4. Framed Acoustic Screen

Our unique Ovation framed screen is available in Dark Grey and Light Grey acoustic panel or upholstered with customer supplied fabric. The aluminium frame is finished in Noir and Blanc powdercoat.



Colours are representative only, please check with your Thinking Works consultant to view samples of any specific colour.

# Electric Single Sided

## Materials Information

### Frame Finish

Powdercoat Steel

- a. Noir
- b. Blanc

### Control Box & Handset Finish

- a. Black

### Operating Noise Level

<50Db

### Height Range

590mm to 1210mm to underside of worktop

### Travel Speed

35/mm per second

### Glide Adjustment

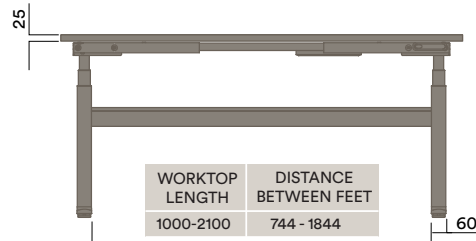
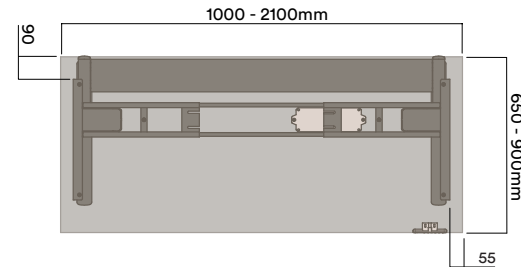
Plus or minus 5mm

### Handset

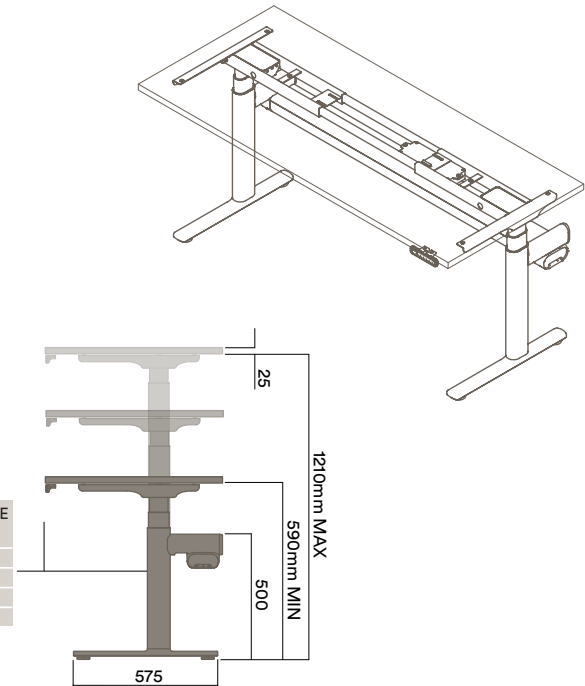
3 programmable height settings with electronic display

Maximum inc. worktop	100kg
Maximum Point Load	30kg
Seats	1

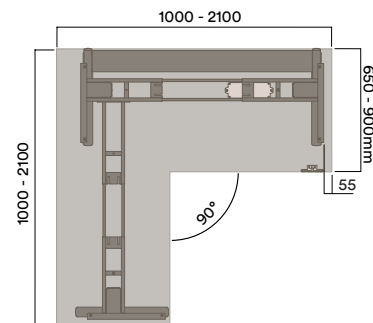
## OVE-1000



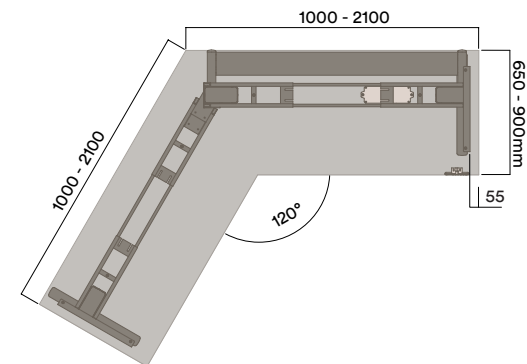
WORKTOP DEPTH	FRONT EDGE TO LEG
650	355
700	405
800	405
900	505



## OVE-1090 1pax 90deg



## OVE-1120 1pax 120deg



# Electric Double Sided

## Materials Information

### Frame Finish

Powdercoat Steel

- a. Noir
- b. Blanc

### Control Box & Handset Finish

- a. Black

### Operating Noise Level

<50Db

### Height Range

590mm to 1210mm to underside of worktop

### Travel Speed

35/mm per second

### Glide Adjustment

Plus or minus 5mm

### Handset

3 programmable height settings with electronic display

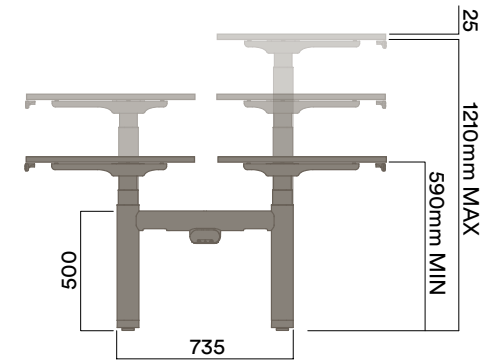
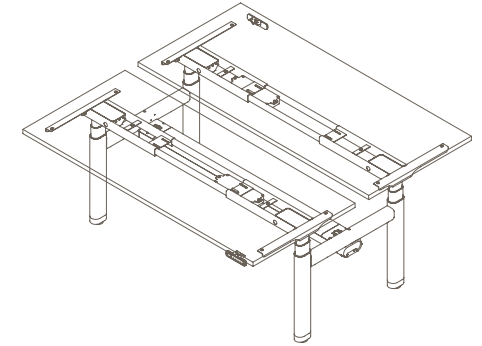
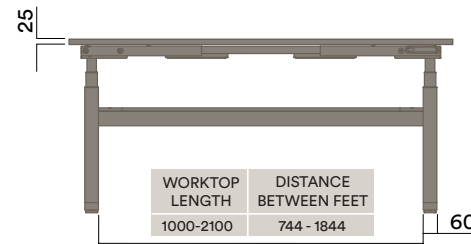
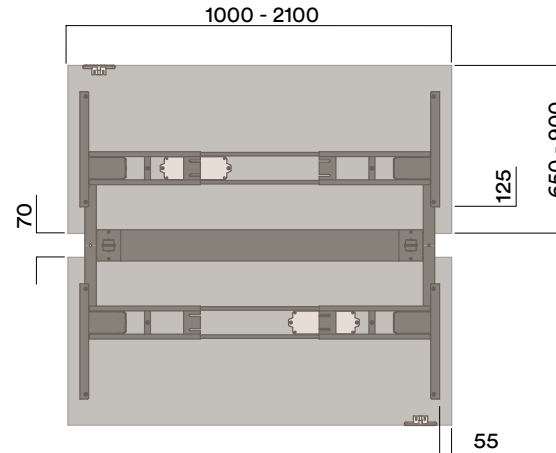
Maximum inc. worktop 150kg

Maximum Point Load 30kg

Seats 2

OVE-2000 2pax

H-Frame

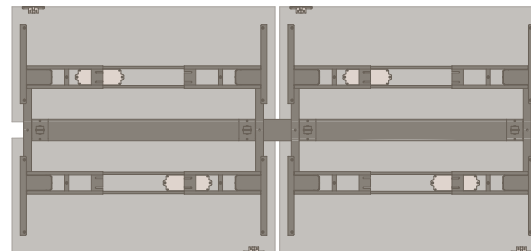


2x OVE-2000

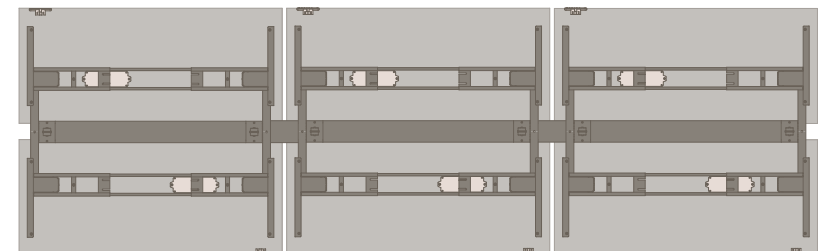
4pax Configuration

3x OVE-2000

6pax Configuration



MIN. 30mm



MIN. 30mm



# Electric Double Sided

## Materials Information

### Frame Finish

Powdercoat Steel

- a. Noir
- b. Blanc

### Control Box & Handset Finish

- a. Black

### Operating Noise Level

<50Db

### Height Range

590mm to 1210mm to underside of worktop

### Travel Speed

35/mm per second

### Glide Adjustment

Plus or minus 5mm

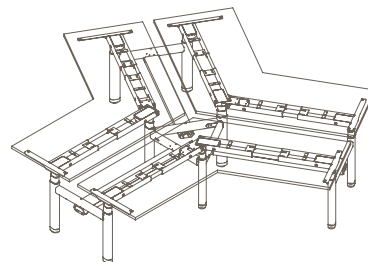
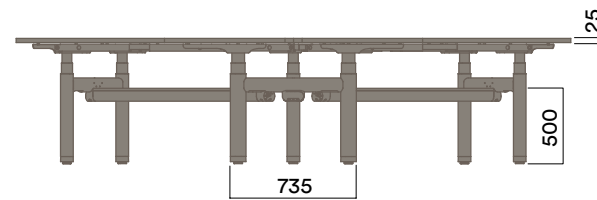
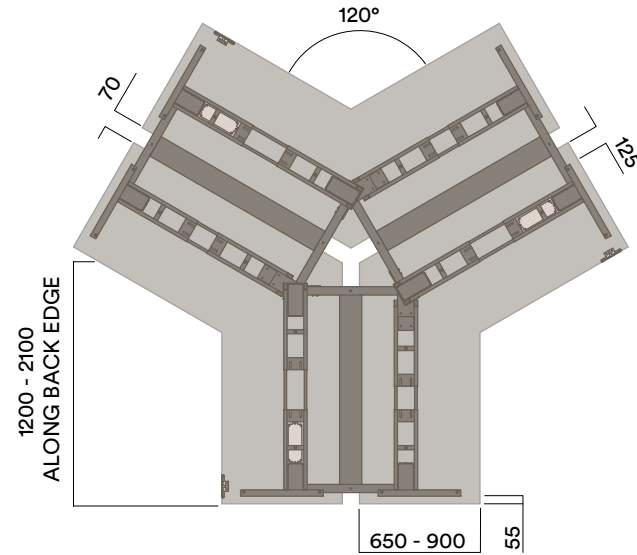
### Handset

3 programmable height settings with electronic display

Maximum inc. worktop	150kg
Maximum Point Load	30kg
Seats	3 - 4

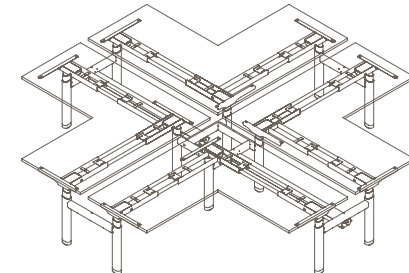
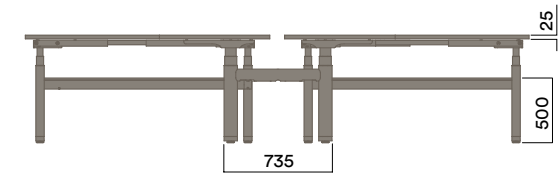
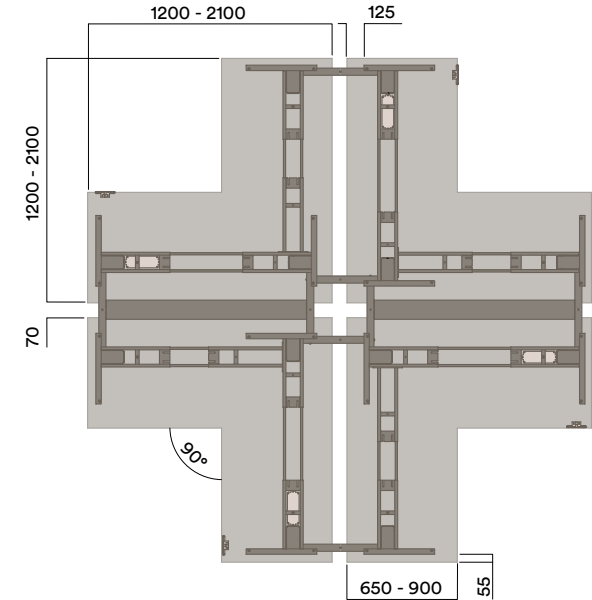
OVE-3120 3pax

120deg H-Frame



OVE-4090 4pax

90deg H-Frame



# Fixed Single Sided

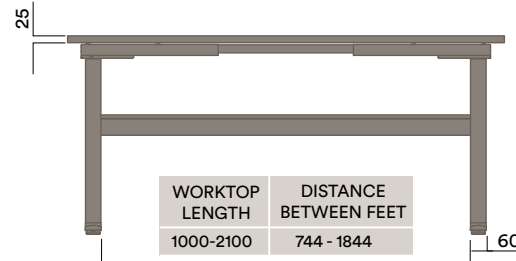
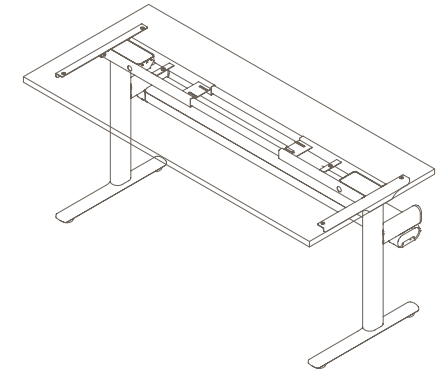
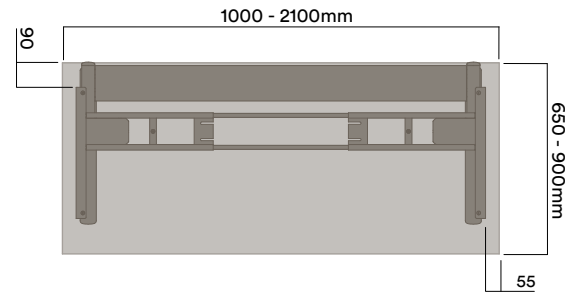
## Materials Information

### Frame Finish

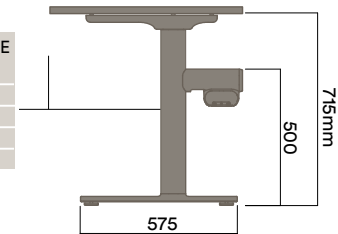
Powdercoat Steel

- a. Noir
- b. Blanc

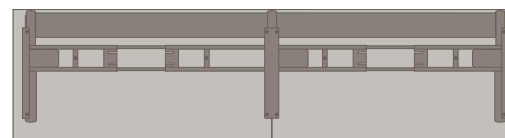
## OVF-1000



WORKTOP DEPTH	FRONT EDGE TO LEG
650	355
700	405
800	405
900	505



## OVF-1002 2pax



## OVF-1003 3pax



### Glide Adjustment

Plus or minus 5mm

Maximum inc. worktop 100kg  
 Maximum Point Load 30kg  
 Seats 1-3

# Fixed Single Sided

## Materials Information

### Leg & Foot Finish

Powdercoat Steel Leg & Foot

- a. Noir
- b. Blanc

### Frame Finish

Powdercoat Steel

- a. Noir
- b. Blanc

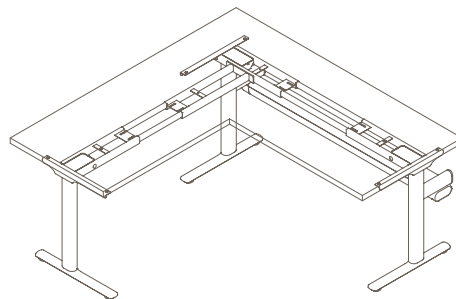
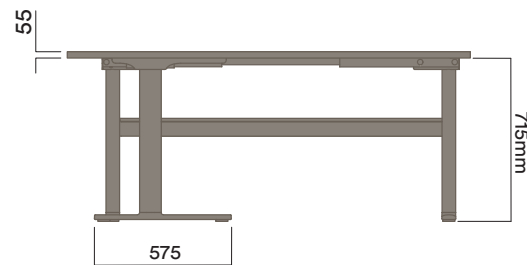
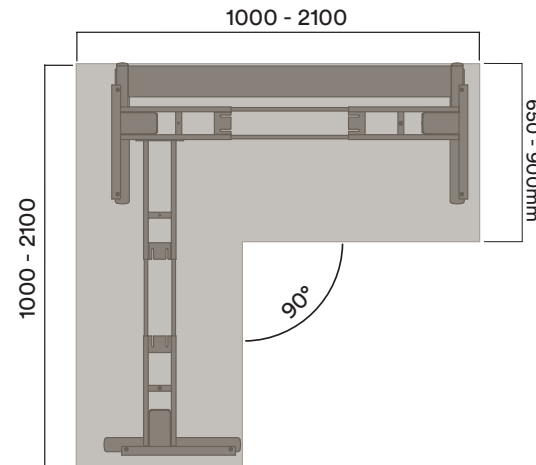
### Glide Adjustment

Plus or minus 5mm

Maximum inc. worktop 100kg  
 Maximum Point Load 30kg  
 Seats 1

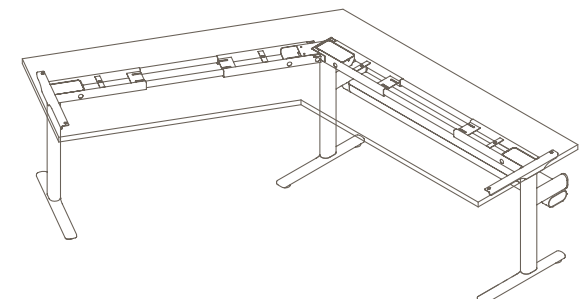
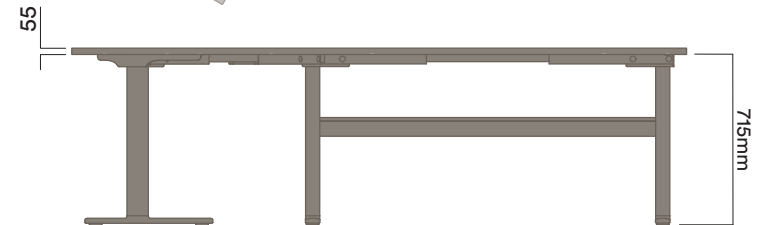
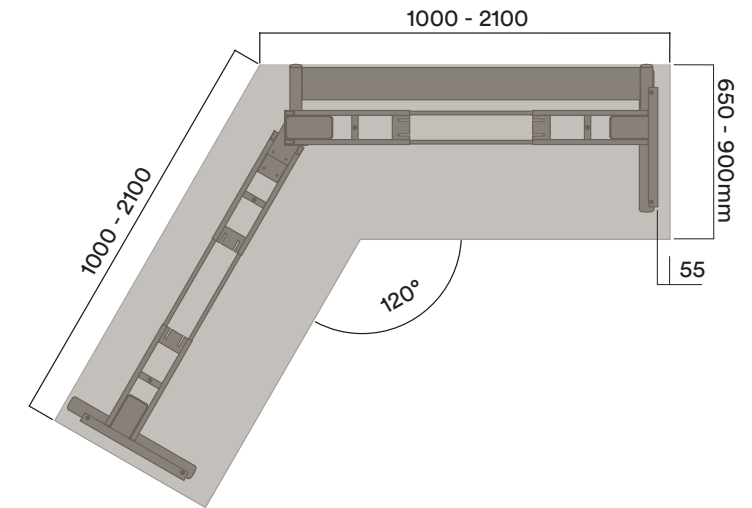
OVF-1090 1pax

90deg



OVF-1120 1pax

120deg



# Fixed Double Sided

## Materials Information

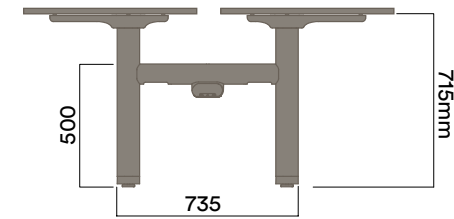
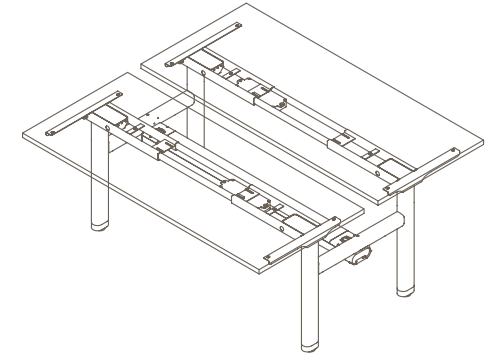
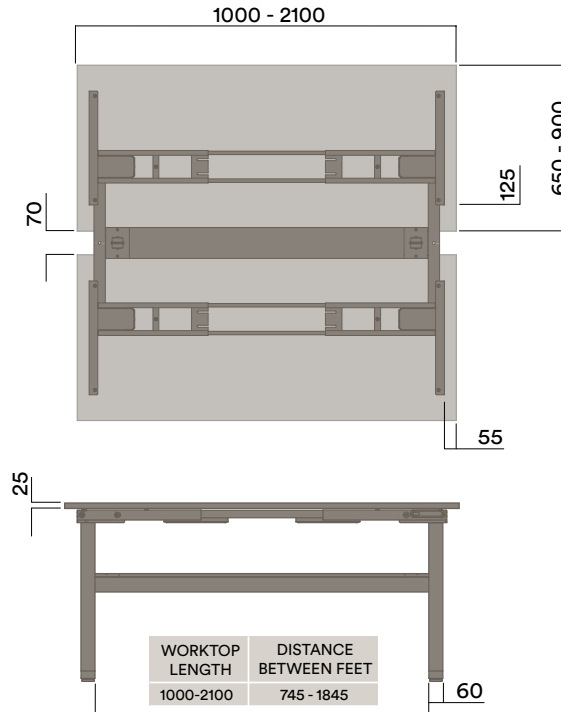
### Frame Finish

Powdercoat Steel

- a. Noir
- b. Blanc

OVF-2002 2pax

H-Frame

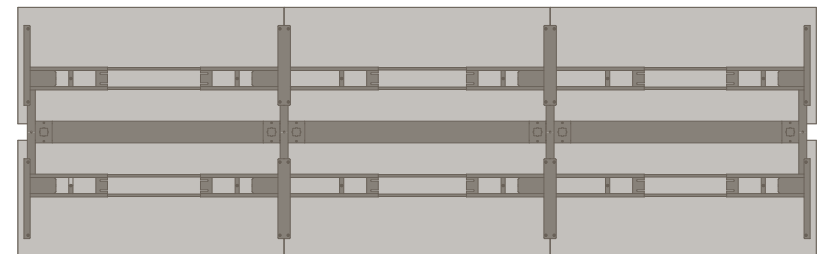
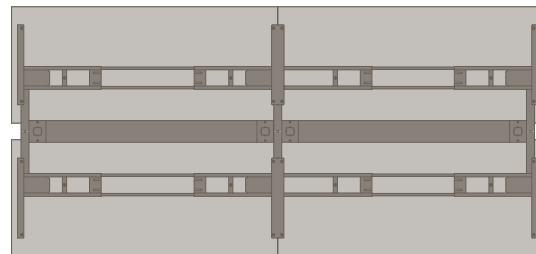


2x OVF-2004

4pax Configuration

3x OVF-2006

6pax Configuration



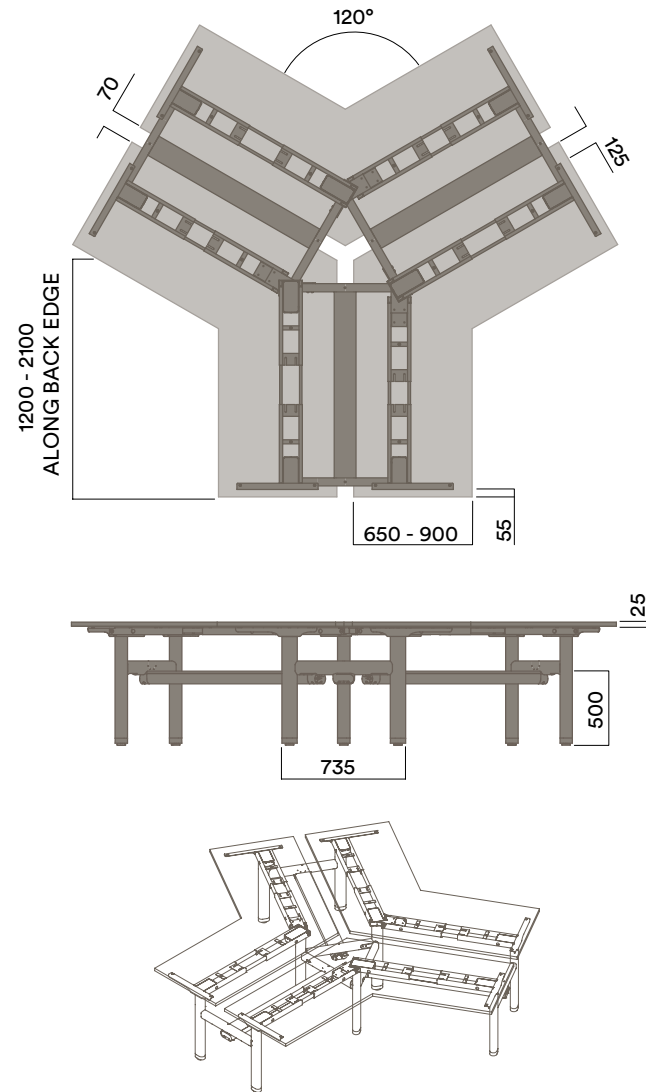
# Fixed Double Sided

## Materials Information

- Frame Finish**  
Powdercoat Steel
- a. Noir
  - b. Blanc

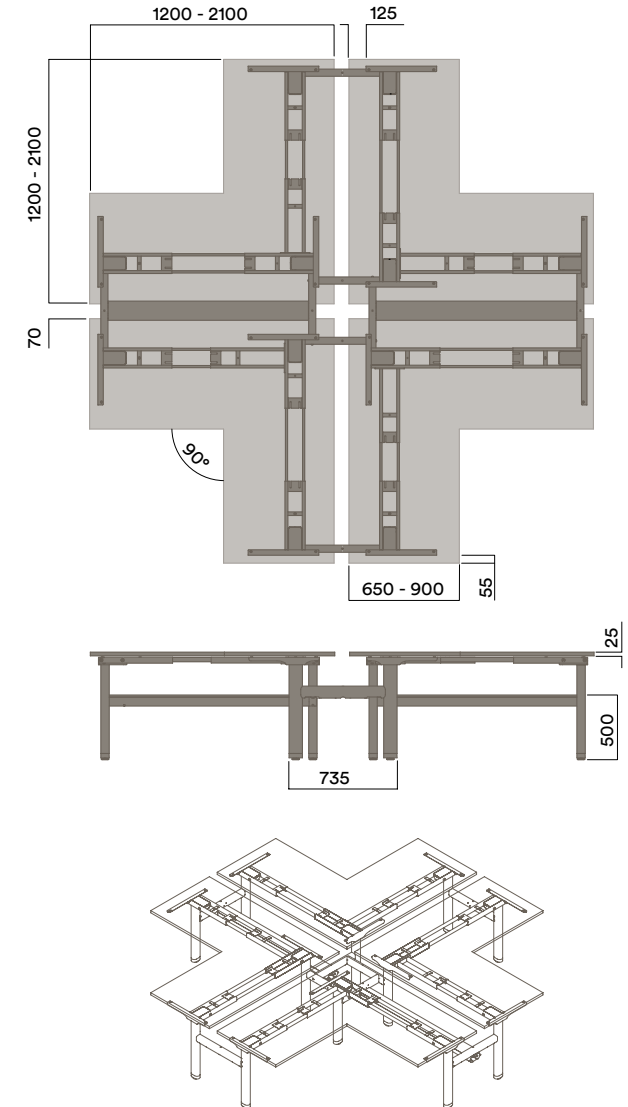
OVF-3000

120deg H-Frame



OVF-4000

90deg H-Frame



# Accessories

## Cable Management

### Materials Information

#### Cable Tray Body

Powdercoat Aluminium

- a. Noir
- b. Blanc

#### Cable Tray Lid

Powdercoat Aluminium Extrusion

- a. Noir
- b. Blanc

#### Cable Tray End Caps

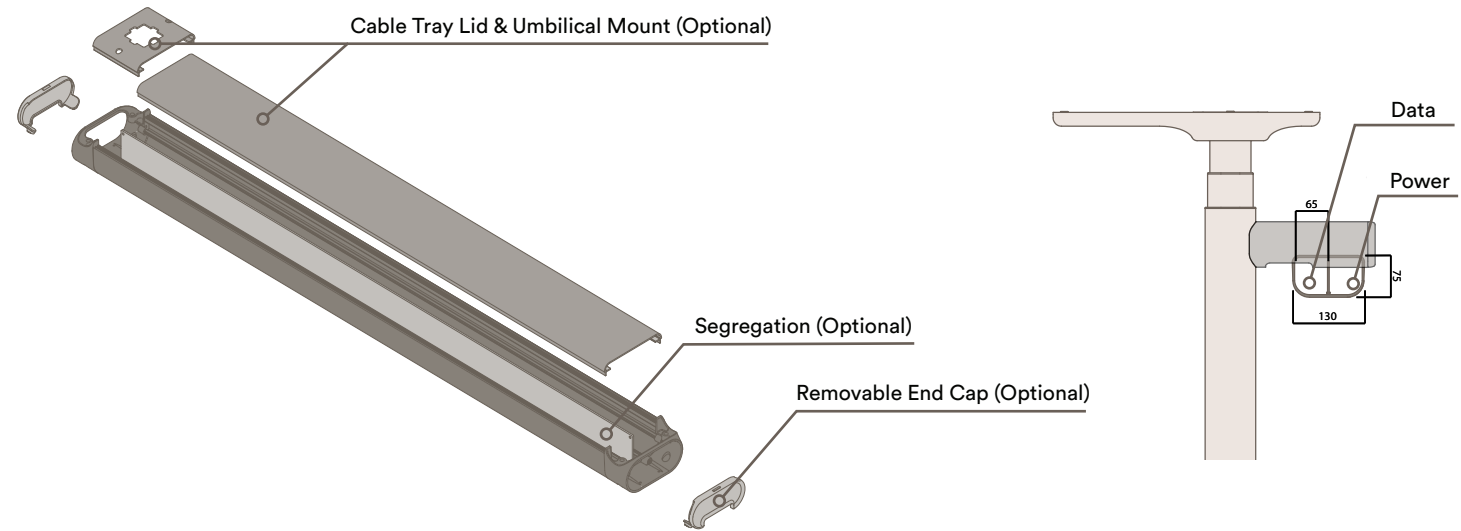
Plastic

- a. Noir
- b. Blanc

WSA-1000 Series

Single Sided Cable Tray

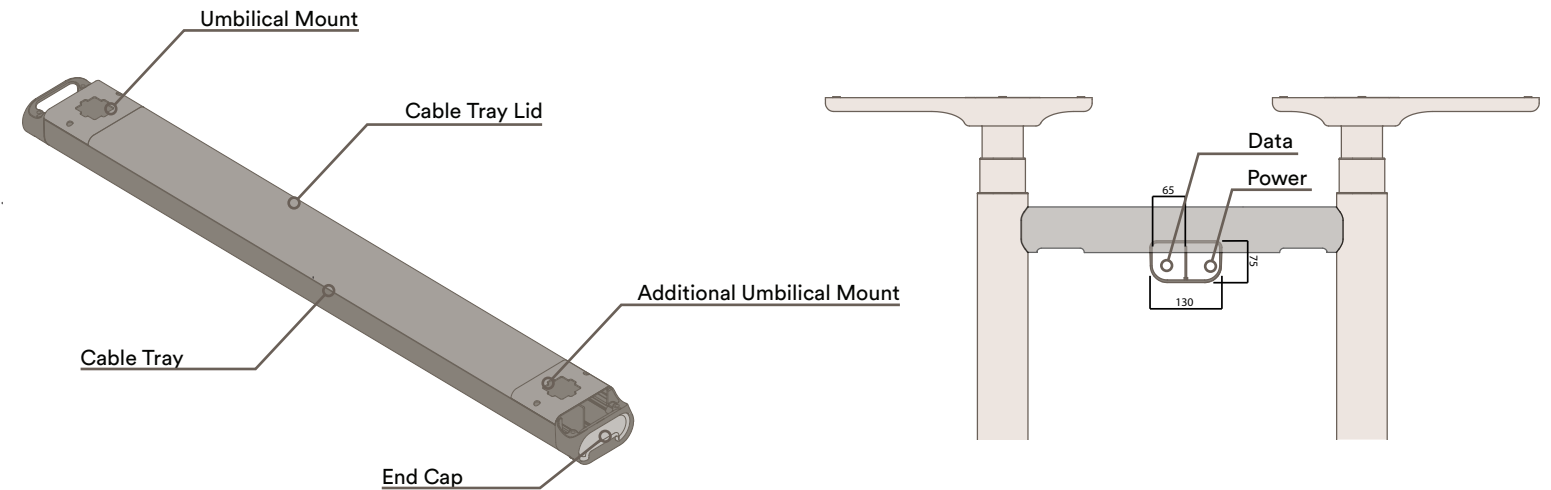
1160/1360/1560/1760/1960mm



WSA-2000 Series

Double Sided Cable Tray

1160/1360/1560/1760/1960mm



# Accessories

## Cable Management

### Materials Information

WSA-5010 Series

Cable Tray Bridge

175-250mm

### Cable Tray Bridge Body

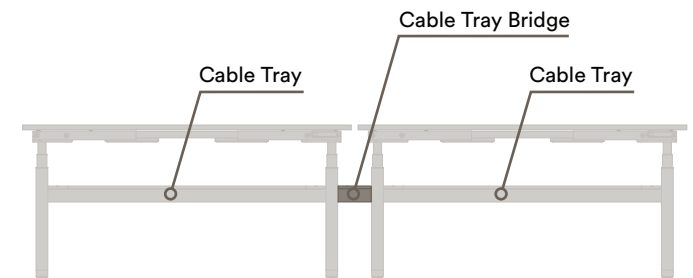
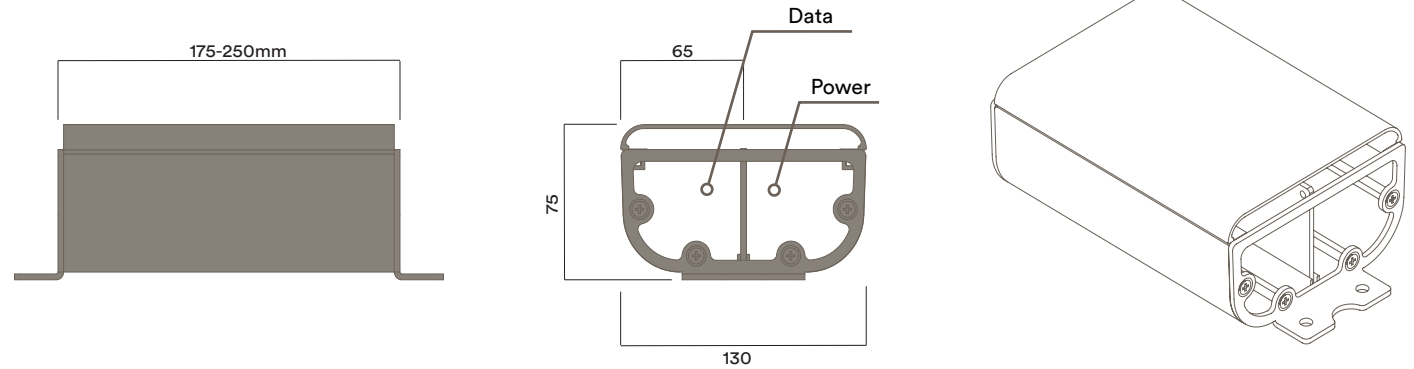
Powdercoat Aluminium

- a. Noir
- b. Blanc

### Cable Tray Bridge Lid

Powdercoat Aluminium Extrusion

- a. Noir
- b. Blanc



# Accessories

## Cable Management

### Materials Information

#### Cable Umbilical

Moulded Plastic

- a. White
- b. Black

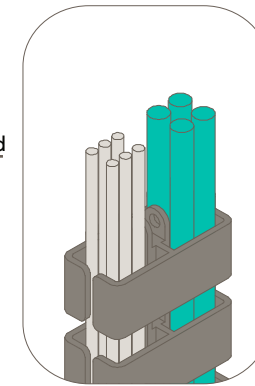
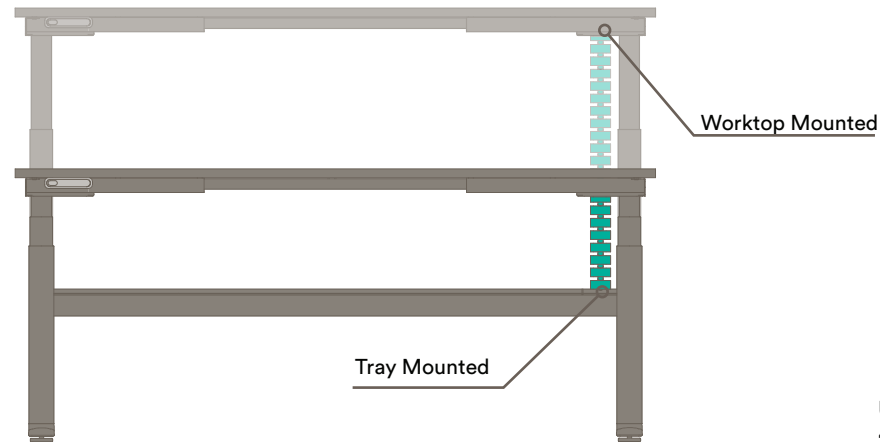
#### Fabric Umbilical

Fabric

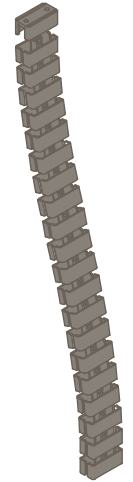
- a. Light Grey

WSA-5001

Plastic Cable Umbilical

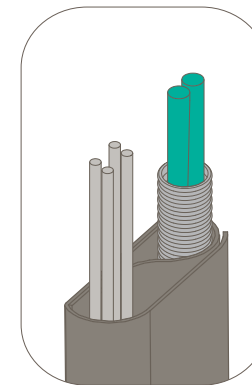
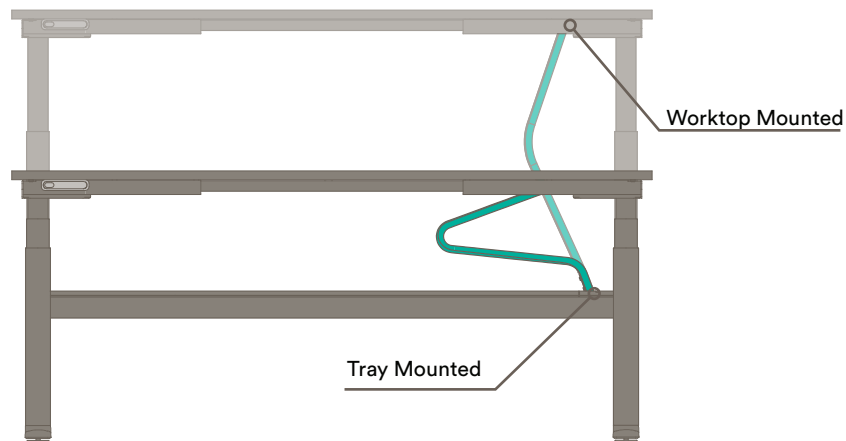


**Umbilical Capacity**  
4 × 6.5mm 10amp power leads  
6 × 6mm Cat 4 / Cat 6 data cables

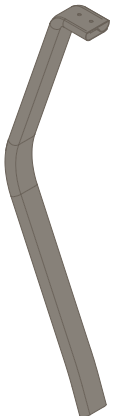


WSA-5002

Fabric Cable Umbilical



**Umbilical Capacity**  
2 × 6.5mm 10amp power leads in conduit  
4 × 6mm Cat 4 / Cat 6 data cables





# Accessories

## Power Pocket

### Materials Information

#### Power Pocket Bracket

Powdercoat Steel

a. Noir

#### Fabric Cable Pocket

Fabric

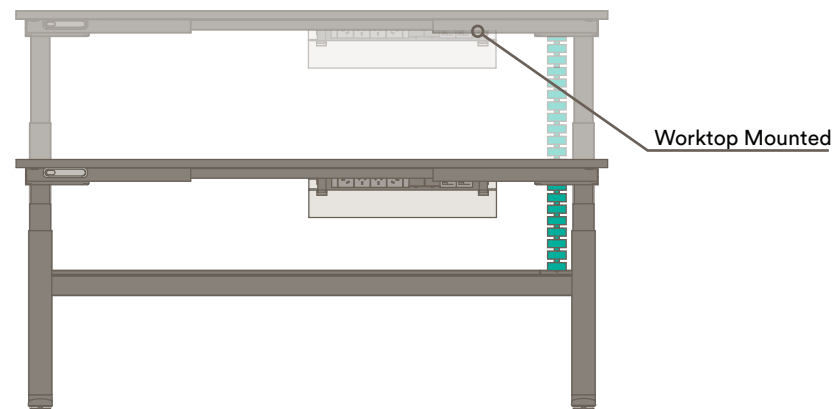
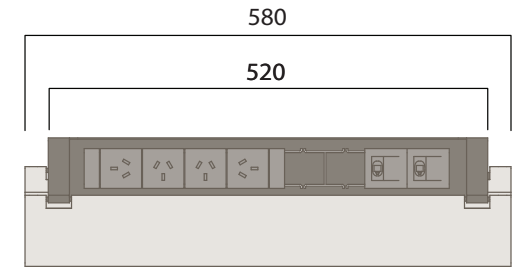
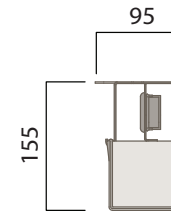
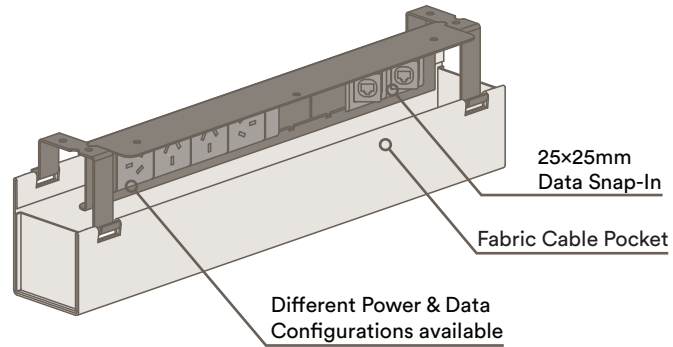
a. Light Grey

#### Power options for different countries available:

- a. 4 x Power & 2 x Data (AUS)
- b. 6 x Power (AUS)
- c. 4 x Power & 2 x Data (UK)
- d. 6 x Power (UK)

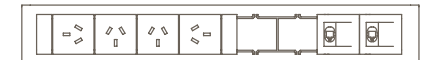
WSA-5003

Power Pocket

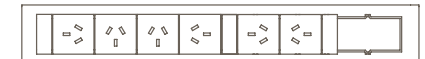


#### Power & Data Configurations:

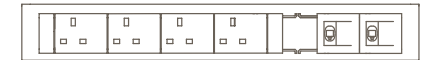
a. Australia 4 x GPO & 2 x Data



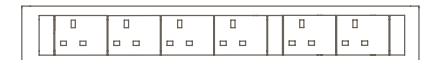
b. Australia 6 x GPO



c. UK 4 x GPO & 2 x Data



d. UK 6 x GPO



# Accessories

## Power Modesty

### Materials Information

#### Power Pocket Bracket

Powdercoat Steel

a. Noir

#### Fabric Cable Modesty

Fabric

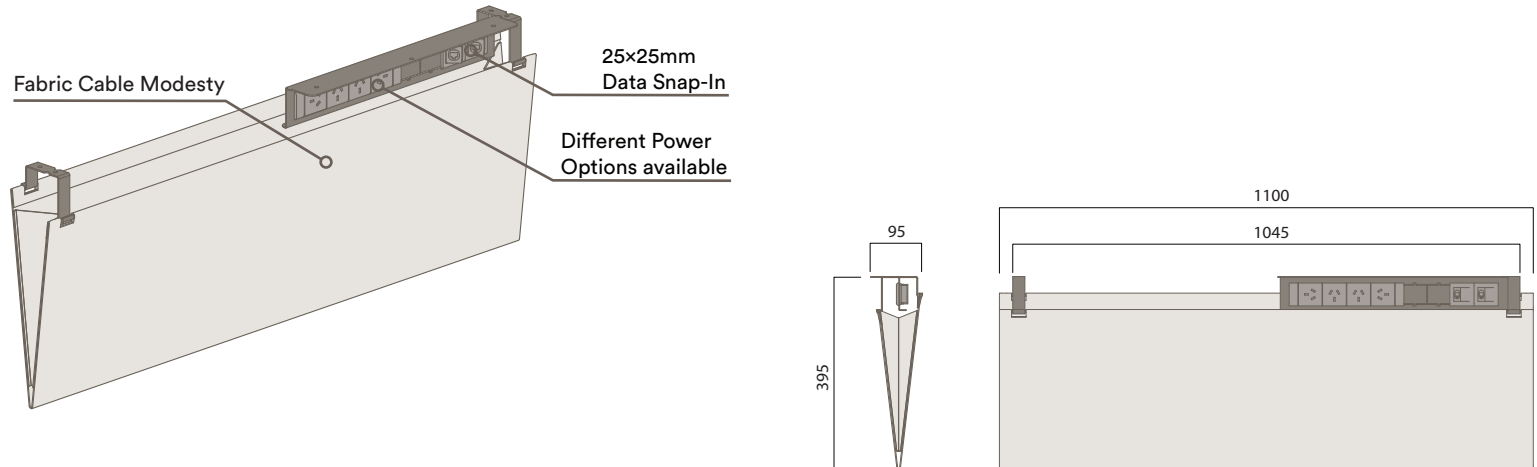
a. Light Grey

#### Power options for different countries available:

- a. 4 x Power & 2 x Data (AUS)
- b. 6 x Power (AUS)
- c. 4 x Power & 2 x Data (UK)
- d. 6 x Power (UK)

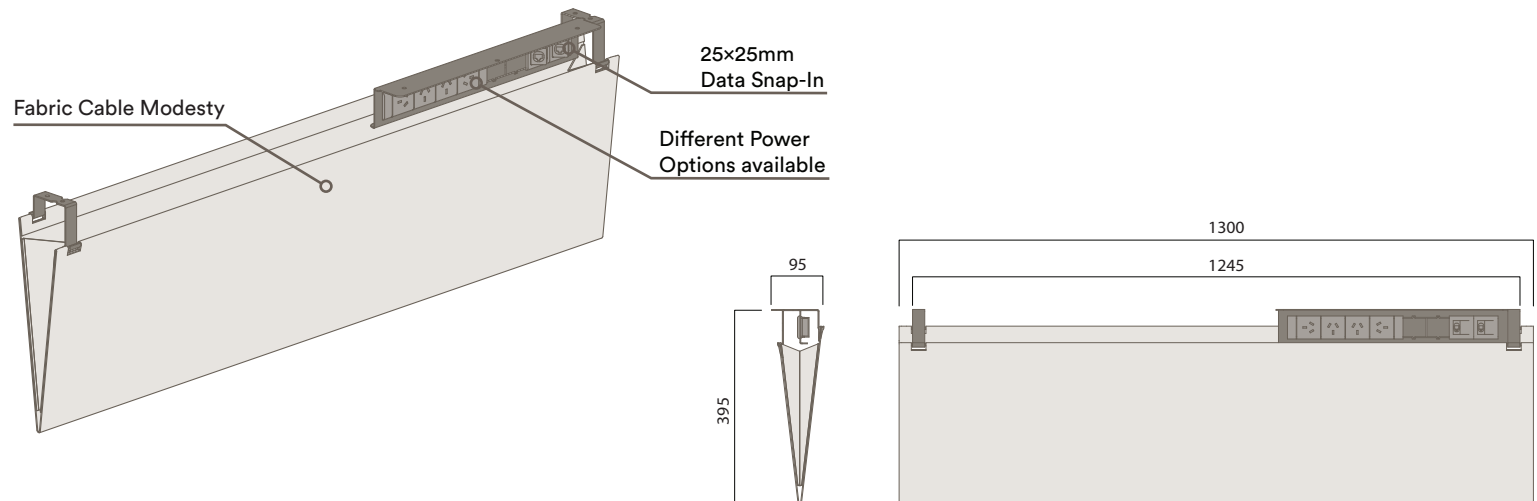
### WSA-5004

### Power Modesty - Small



### WSA-5005

### Power Modesty - Large



# Accessories

## Framed Acoustic Screens

### Materials Information

### WSA-4100 Series

### Worktop Mounted Framed Acoustic Screen

#### Framed Acoustic Screen

PET Panel

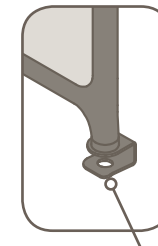
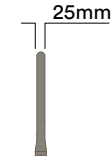
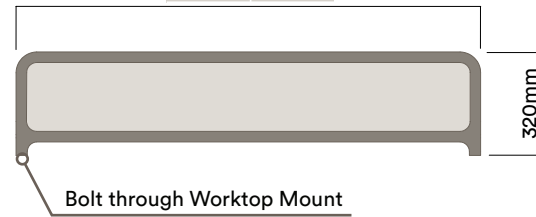
- a. Light Grey
- b. Dark Grey
- c. Upholstered - (Customer Supplied Fabric)

#### Screen Frame

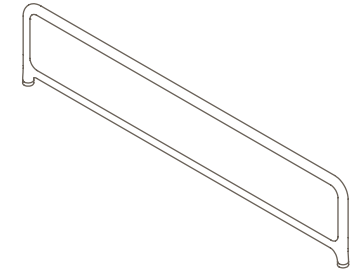
Powdercoat Aluminium Screen Mount and Extrusion

- a. Noir
- b. Blanc

WORKTOP LENGTH*	SCREEN LENGTH
1200	1035
1400	1235
1600	1435
1800	1635
2000	1835



Slide-on Worktop Bracket Option



#### Acoustic Screen

PET Screen Panel

- a. Light Grey
- b. Dark Grey

#### Screen Mounts

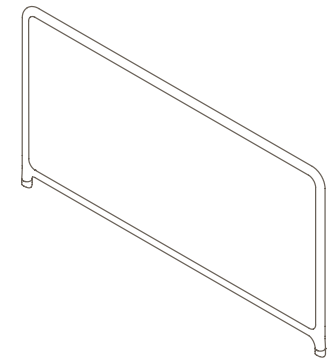
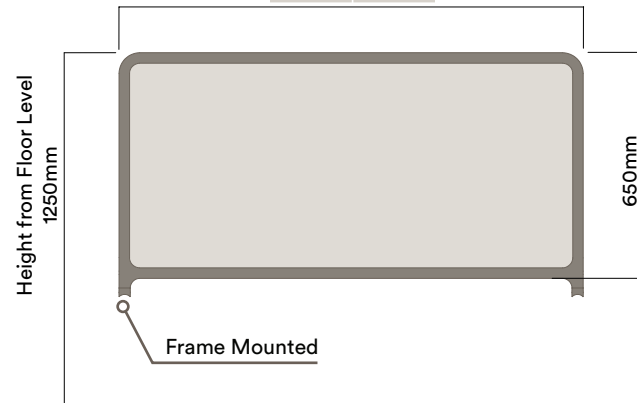
Powdercoat Aluminium Screen Mount

- a. Noir
- b. Blanc

### WSA-4100 Series

### Central Mounted Framed Acoustic Screen

WORKTOP LENGTH*	SCREEN LENGTH
1200	1035
1400	1235
1600	1435
1800	1635
2000	1835



**\*Note:**

Shown sizes are for rectangular Worktops only.  
For screens to suit 90°, 120° & clusters - please consult your Thinkingworks representative.

# Accessories

## Frameless Upholstered Screens

### Materials Information

### WSA-4300 Series

### Worktop Mounted Upholstered Screen

#### Upholstered Screen

Fabric

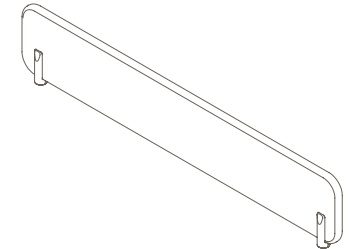
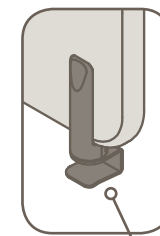
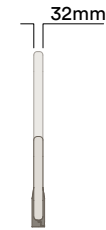
- a. Upholstered - (Customer Supplied Fabric)

#### Screen Mounts

Powdercoat Aluminium Screen Mount and Extrusion

- a. Noir
- b. Blanc

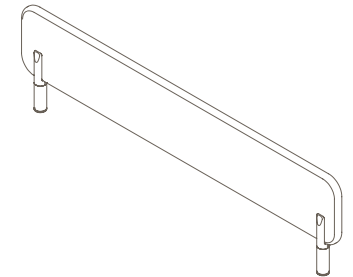
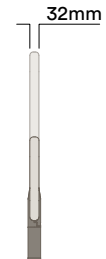
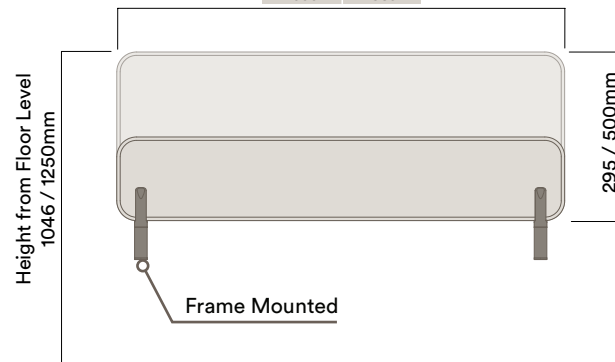
WORKTOP LENGTH*	SCREEN LENGTH
1200	1180
1400	1380
1600	1580
1800	1780
2000	1980



### WSA-4300 Series

### Central Mounted Upholstered Screen

WORKTOP LENGTH*	SCREEN LENGTH
1200	1180
1400	1380
1600	1580
1800	1780
2000	1980



#### \*Note:

Shown sizes are for rectangular Worktops only. For screens to suit 90°, 120° & clusters - please consult your Thinkingworks representative.

# Accessories

## PET Acoustic Screens

### Materials Information

#### Acoustic Screen

PET Screen Panel

- a. Light Grey
- b. Dark Grey

#### Screen Mounts

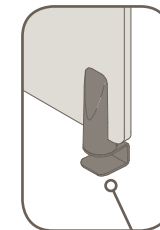
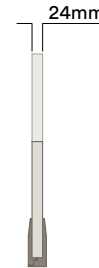
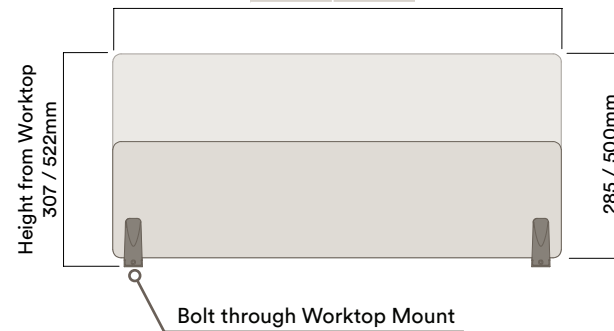
Powdercoat Aluminium Screen Mount and Extrusion

- a. Noir
- b. Blanc

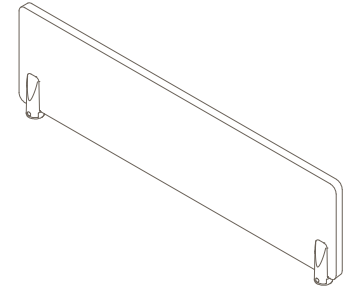
### WSA-4000 Series

### Worktop Mounted Acoustic PET Screen

WORKTOP LENGTH*	SCREEN LENGTH
1200	1100
1400	1300
1600	1500
1800	1700
2000	1900



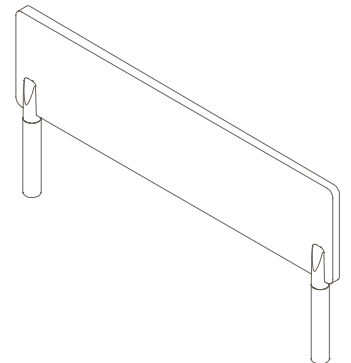
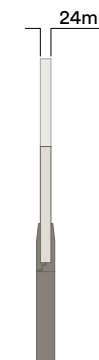
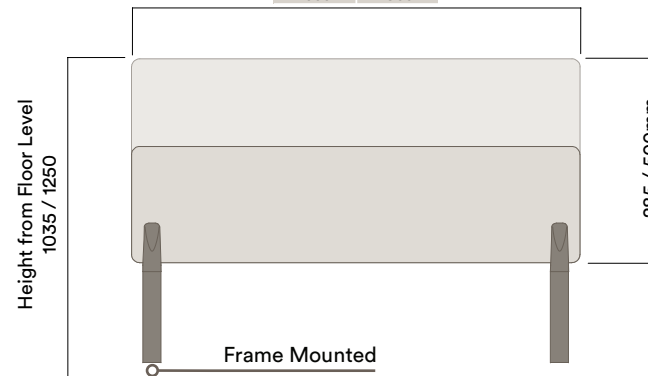
Slide-on Worktop Bracket Option



### WSA-4000 Series

### Central Mounted Acoustic PET Screen

WORKTOP LENGTH*	SCREEN LENGTH
1200	1100
1400	1300
1600	1500
1800	1700
2000	1900



# Accessories

## PET Acoustic Screens

### Materials Information

#### Acoustic Screen

PET Panel

- a. Light Grey
- b. Dark Grey

#### Screen Mounts

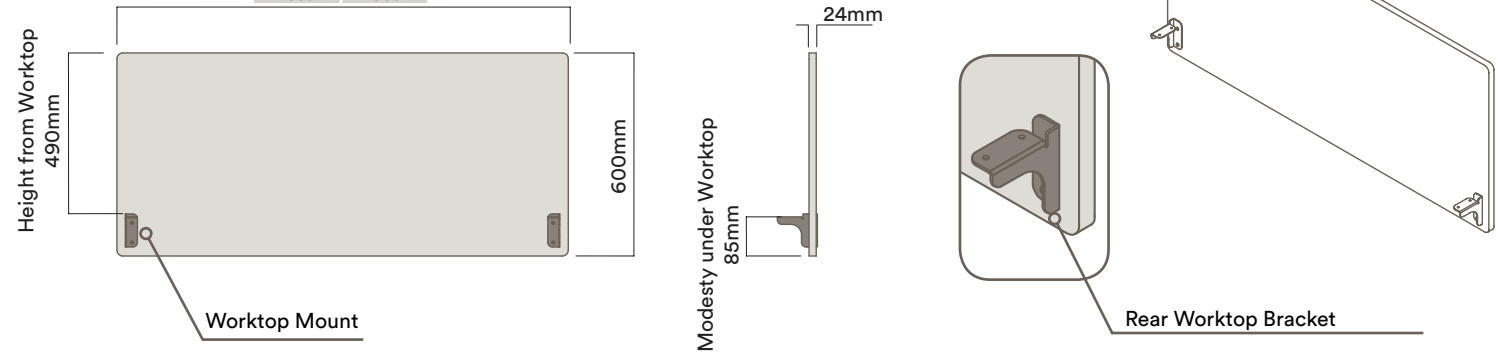
Powdercoat Steel Screen Mount

- a. Noir
- b. Blanc

### WSA-4060 Series

#### Rear Mounted Acoustic Screen & Modesty - Single sided

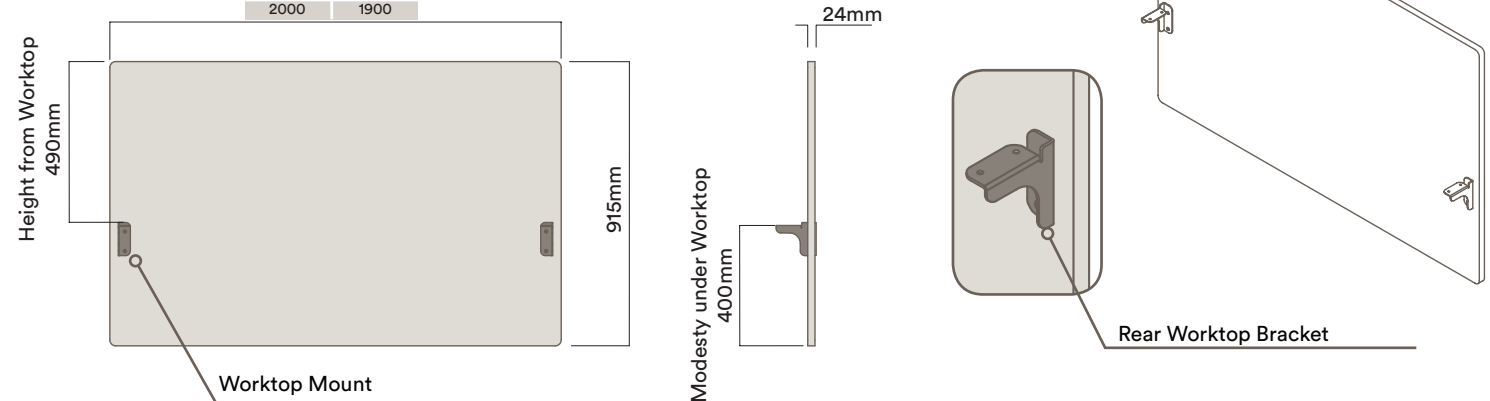
WORKTOP LENGTH*	SCREEN LENGTH
1200	1100
1400	1300
1600	1500
1800	1700
2000	1900



### WSA-4060 Series

#### Rear Mounted Acoustic Screen & Modesty - Double sided

WORKTOP LENGTH*	SCREEN LENGTH
1200	1100
1400	1300
1600	1500
1800	1700
2000	1900



# Accessories

## Frame Mounted Cable Cover

### Materials Information

WSA-5006 / 5007 / 5008

### Frame Mounted Cable Cover

#### Cable Cover

Powdercoat Steel

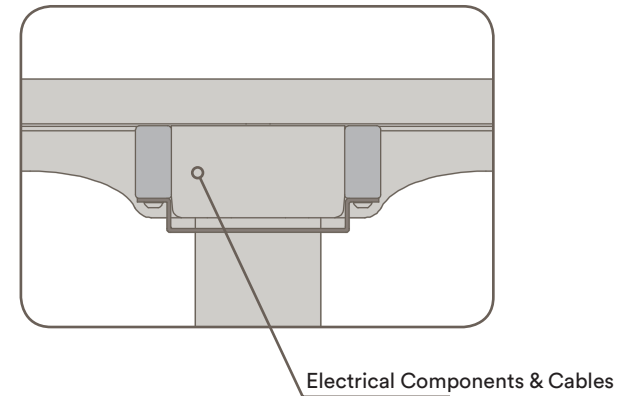
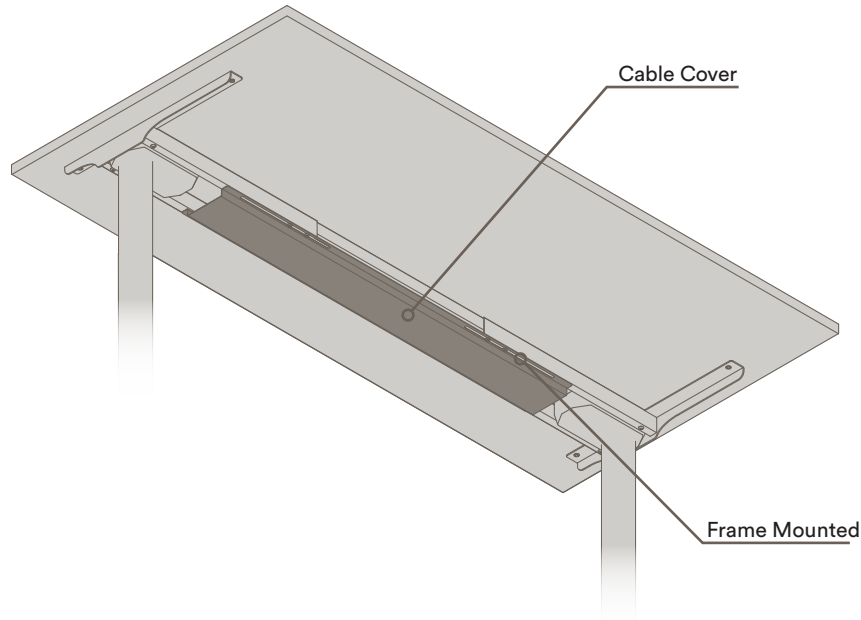
a. Noir

#### Available in different lengths:

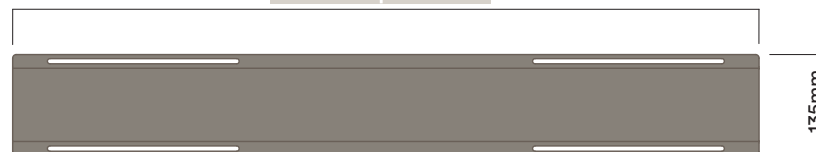
a. 800mm

b. 1000mm

c. 1350mm



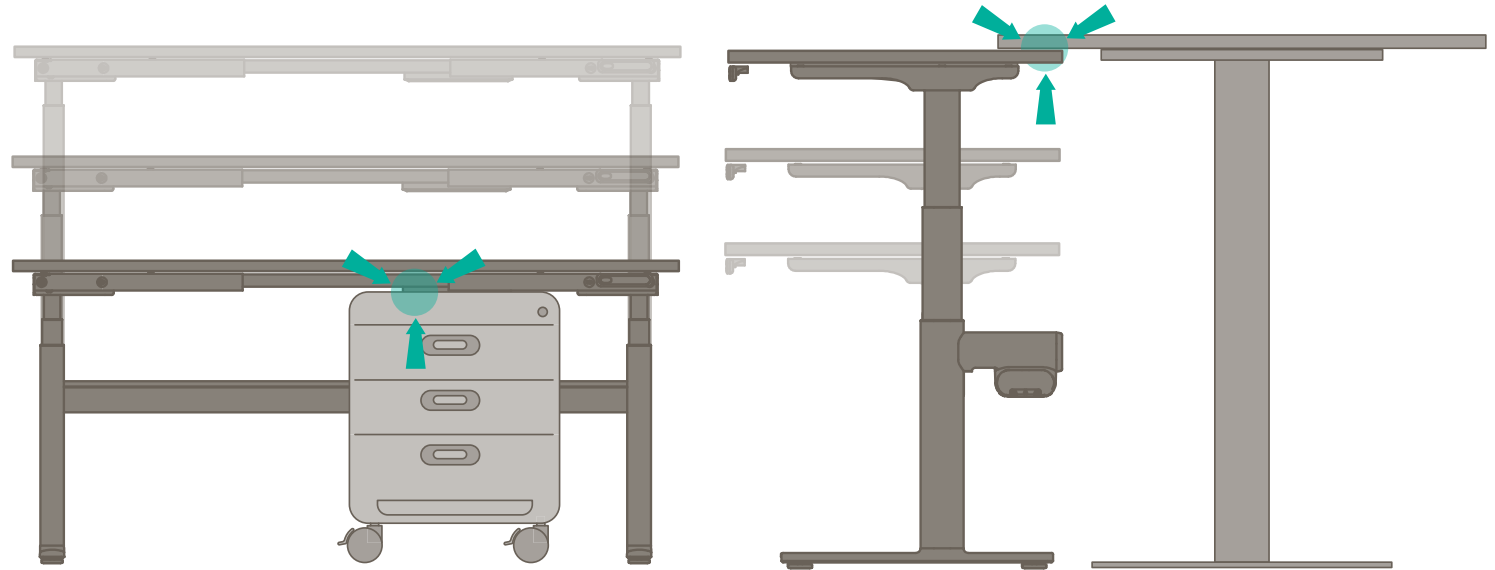
WORKTOP LENGTH*	COVER LENGTH
1200	800
1400	1000
1600	1000
1800	1350
2000	1350



# Electric Safety Features

## Impact Stop

- Impact Stop system minimises damage to Electric Height Adjustable frames from contact with objects obstructing the path of movement
- Impact Stop initiates while frame is lowering or raising, when 1 second of resistance from an obstruction is detected.
- When resistance is detected, desk will automatically stop then move 50mm in opposite direction in order to clear obstruction.







## Specification

If you would like a sample set of any of our finishes, please call us on 61 (0)2 9726 7177 or e-mail at [sales@thinkingw.com](mailto:sales@thinkingw.com).

Due to our policy of continuous product development, specifications and finishes may change without prior notice.

## Sustainability Policy

We realise the importance of responsible business practices and have in place numerous product and company sustainability certifications. We would encourage you to download our annual Sustainability Report from the Thinking Works website to get a full overview of our sustainability program.

Thinking Works  
© Copyright 2019  
All right reserved

Thinking Works  
25 Helles Avenue  
Moorebank  
New South Wales 2170

[www.thinkingw.com](http://www.thinkingw.com)  
61 (0)2 9726 7177  
[sales@thinkingw.com](mailto:sales@thinkingw.com)