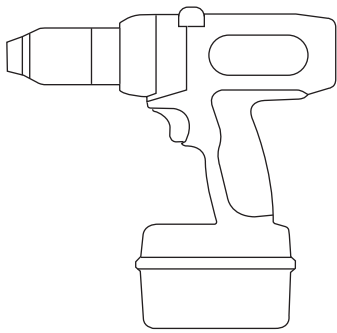
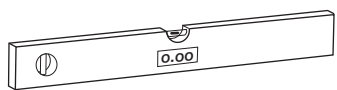


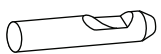
## TOOLS REQUIRED



Drill



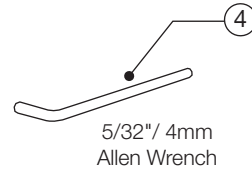
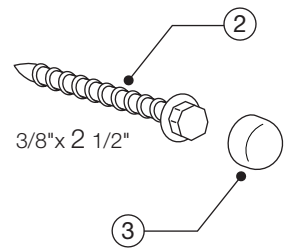
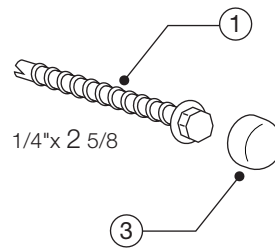
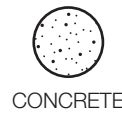
Level



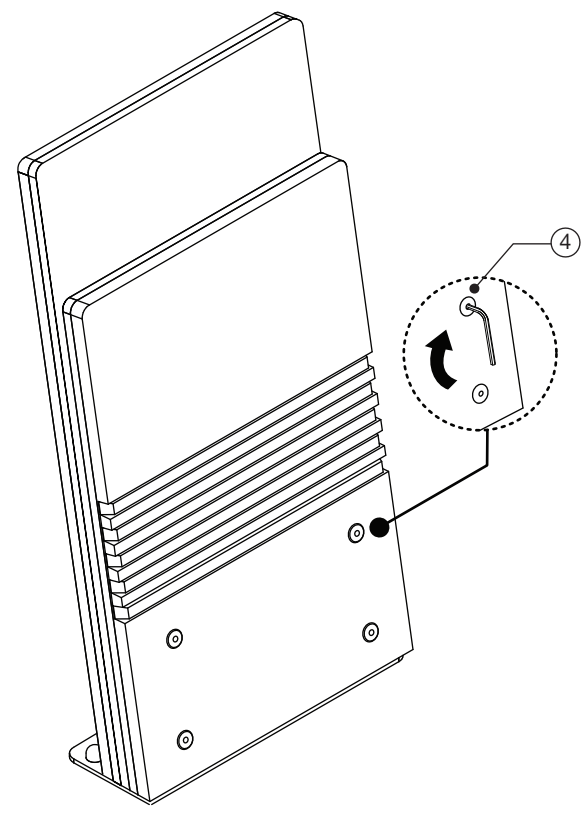
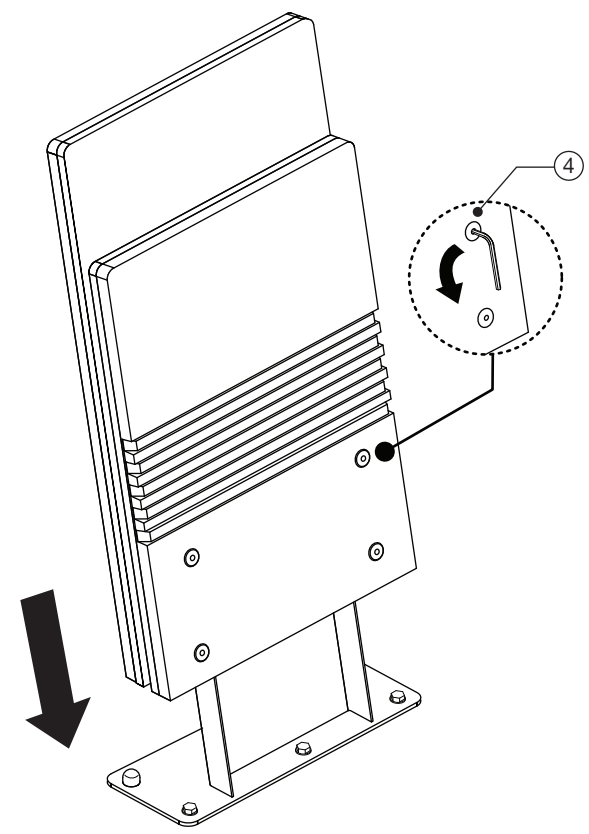
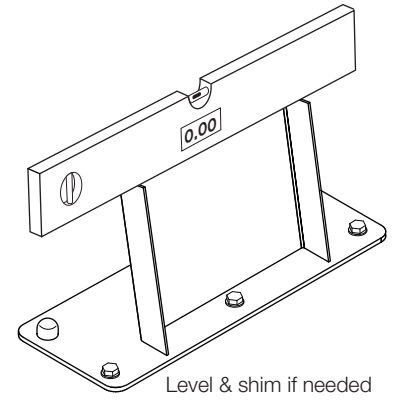
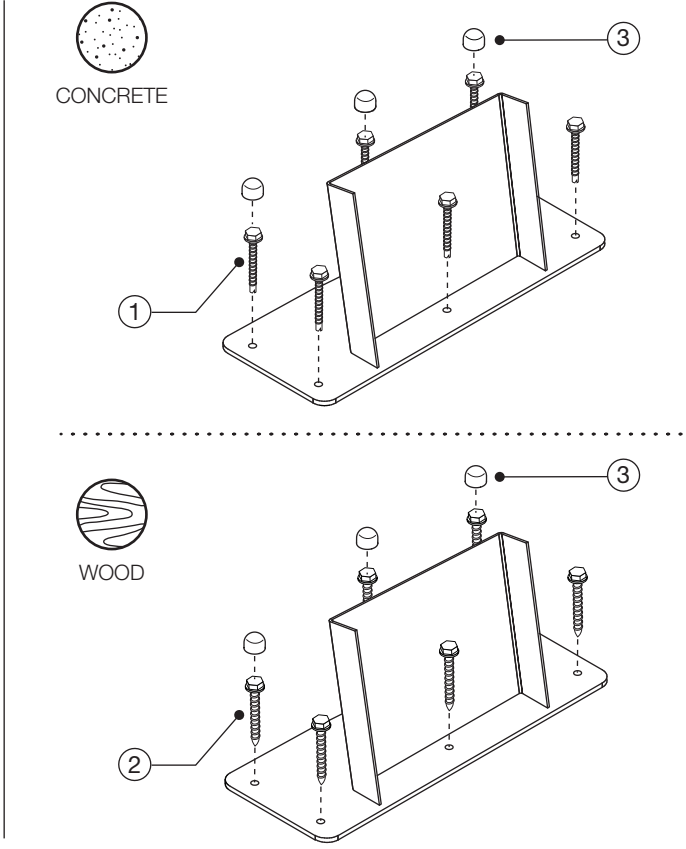
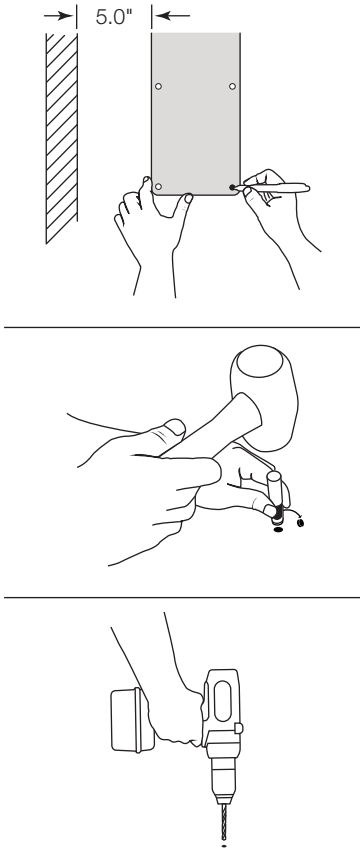
Carpet Punch



## HARDWARE INCLUDED



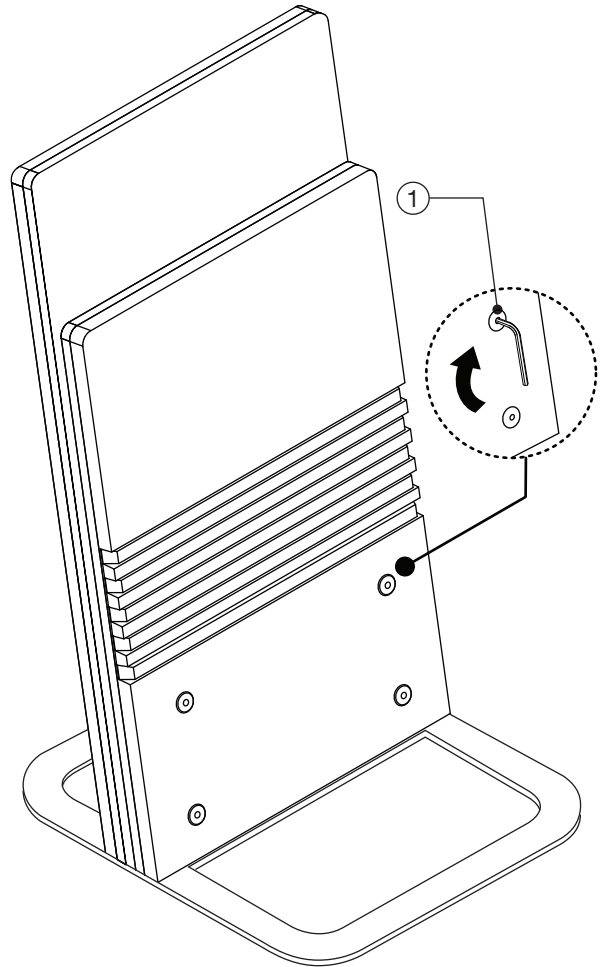
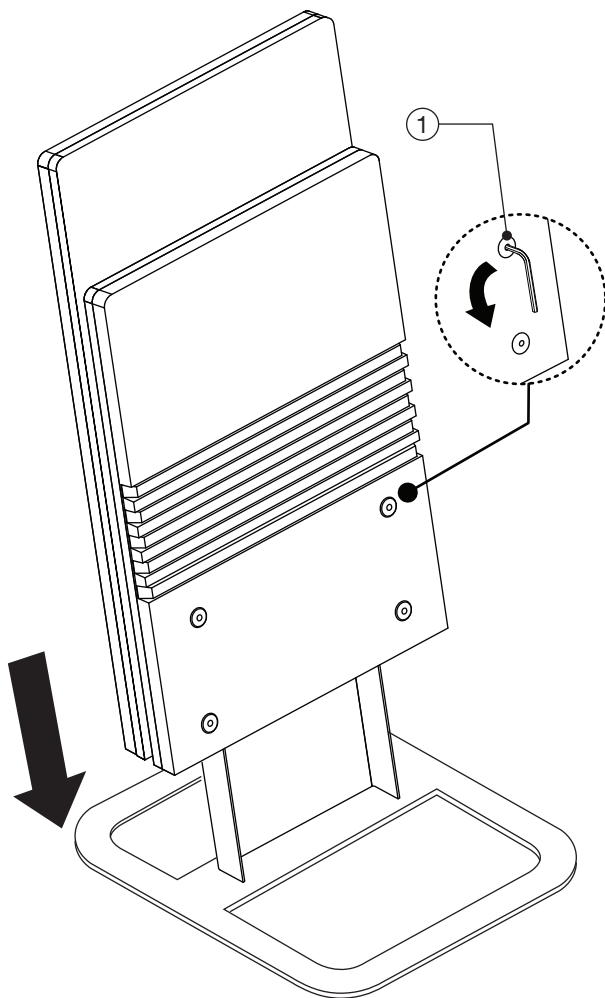
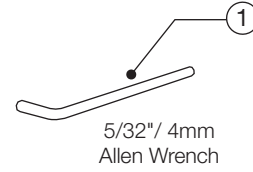
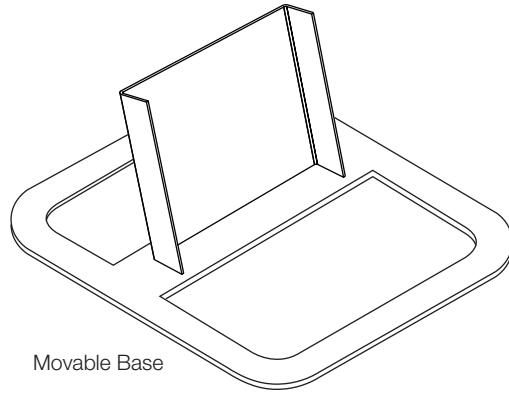
# JumpSeat® Assembly Instructions

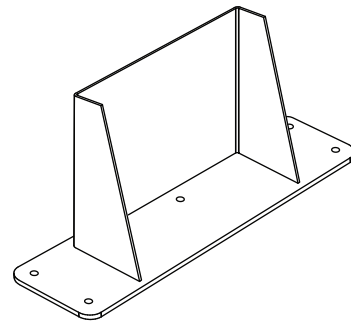
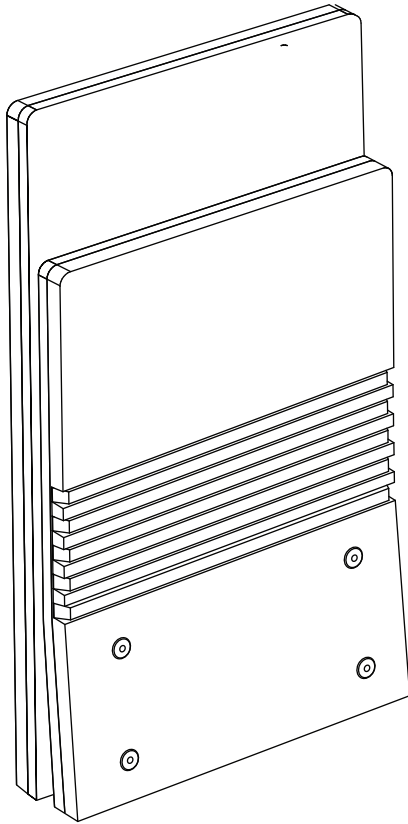


JumpSeat® is a trademark of Aria Enterprises, Inc. used under license by Sedia Systems, Inc.  
 Patents: [www.sediasystems.com/patents](http://www.sediasystems.com/patents)

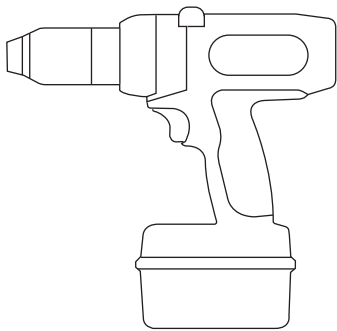
866.892.6130 [www.sediasystems.com](http://www.sediasystems.com)

# JumpSeat® Movable Base Assembly Instructions

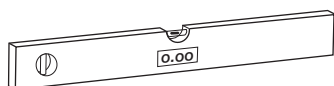




## TOOLS REQUIRED



Drill



Level



Carpet Punch



CONCRETE



WOOD



1/4"



15/64"



7/16"



1/2"

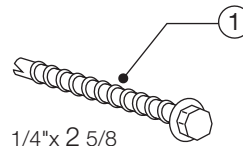
## HARDWARE INCLUDED



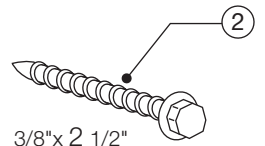
CONCRETE



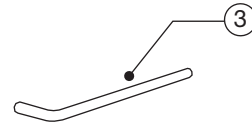
WOOD



1/4" x 2 5/8"

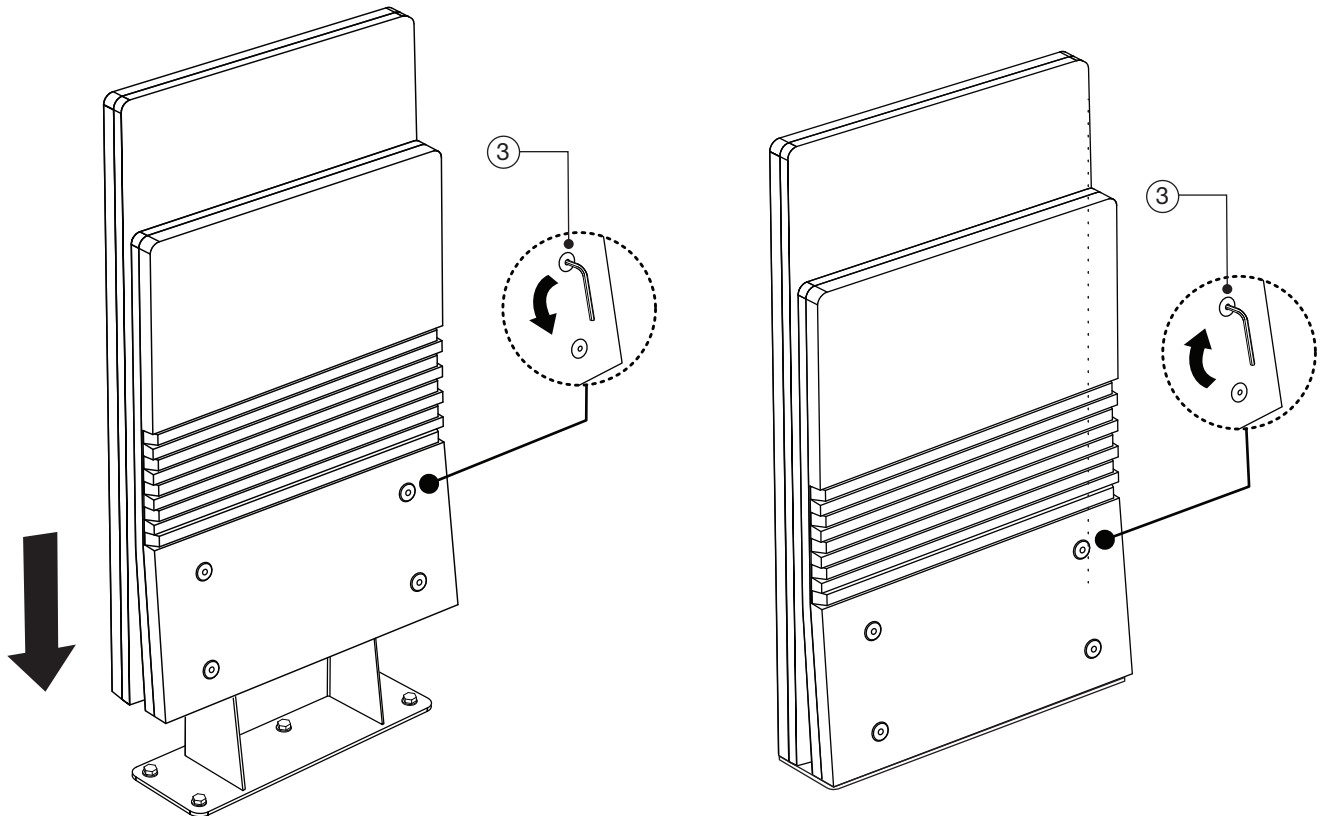
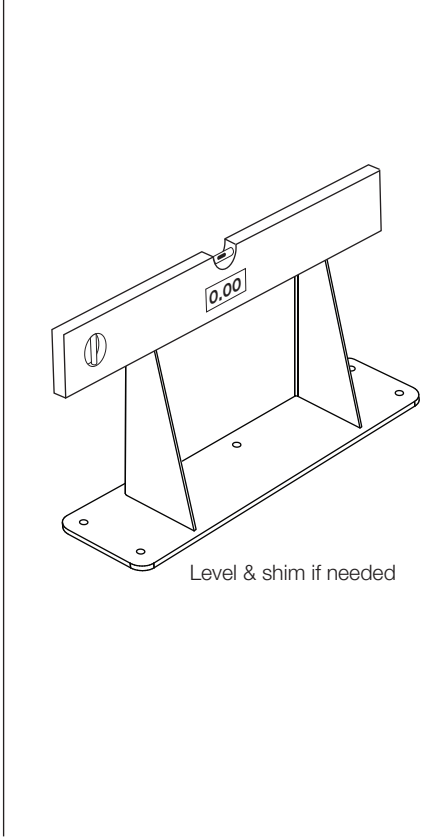
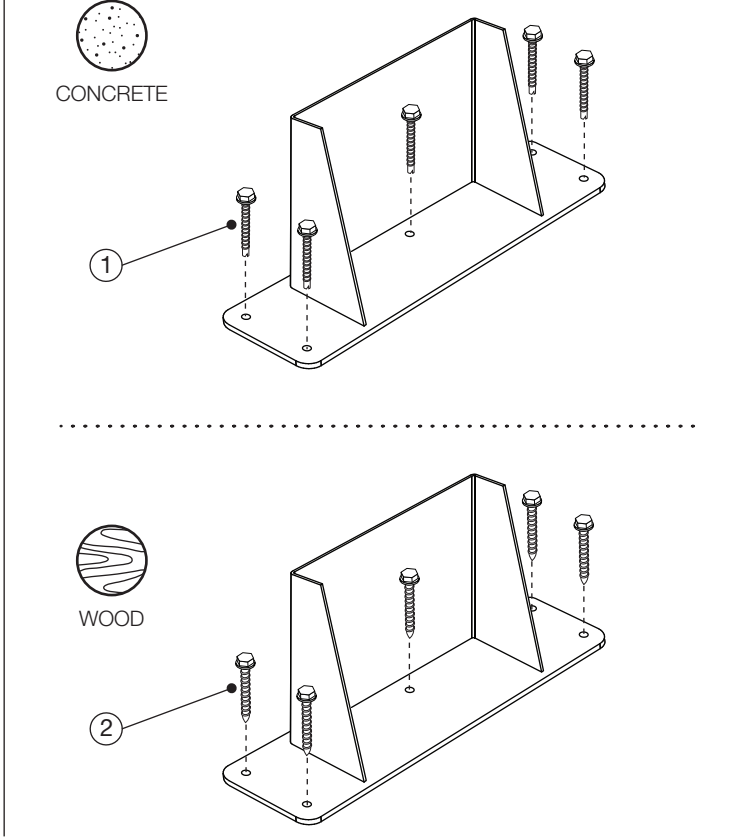
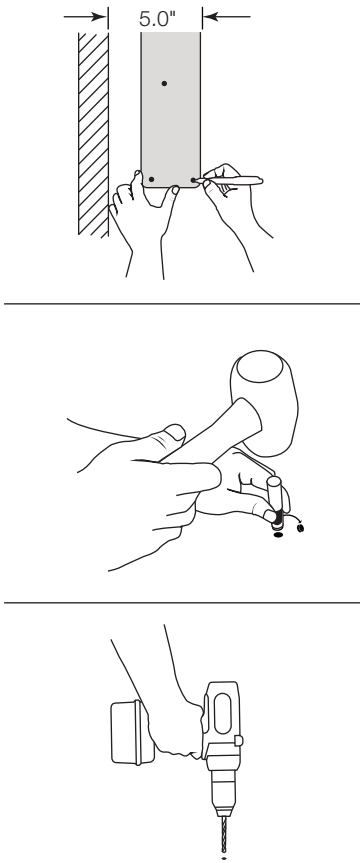


3/8" x 2 1/2"



5/32" / 4mm  
Allen Wrench

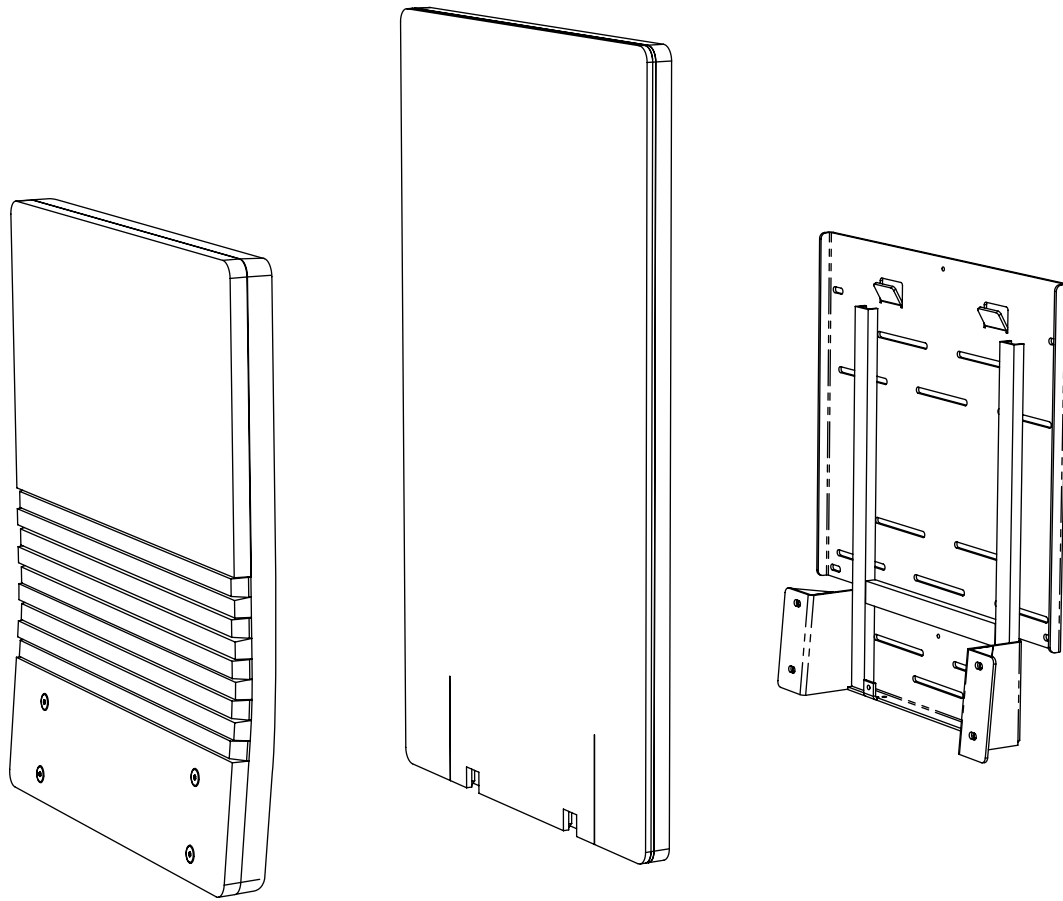
# JumpSeat® 90 Assembly Instructions



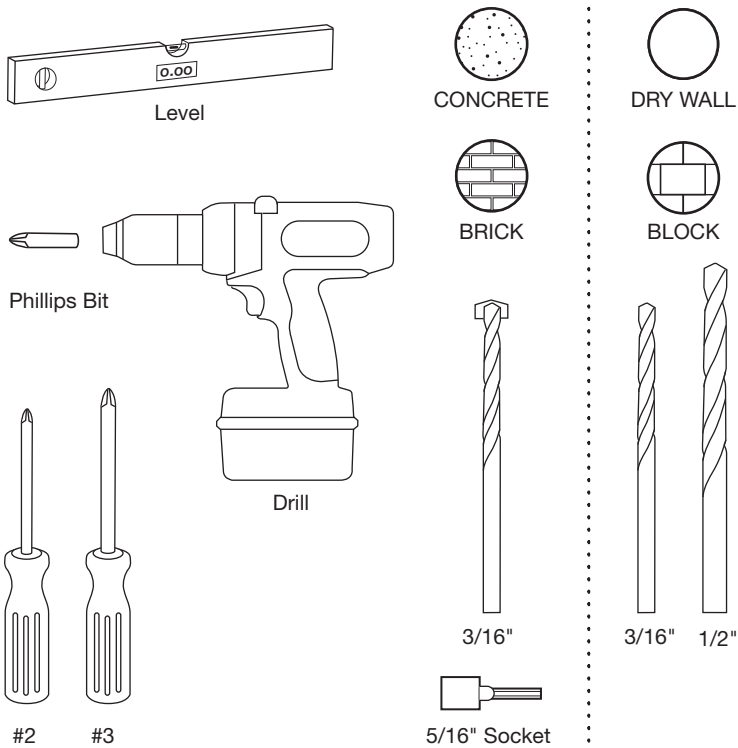
JumpSeat® is a trademark of Aria Enterprises, Inc. used under license by Sedia Systems, Inc.  
Patents: [www.sediastystems.com/patents](http://www.sediastystems.com/patents)

866.892.6130 [www.sediastystems.com](http://www.sediastystems.com)

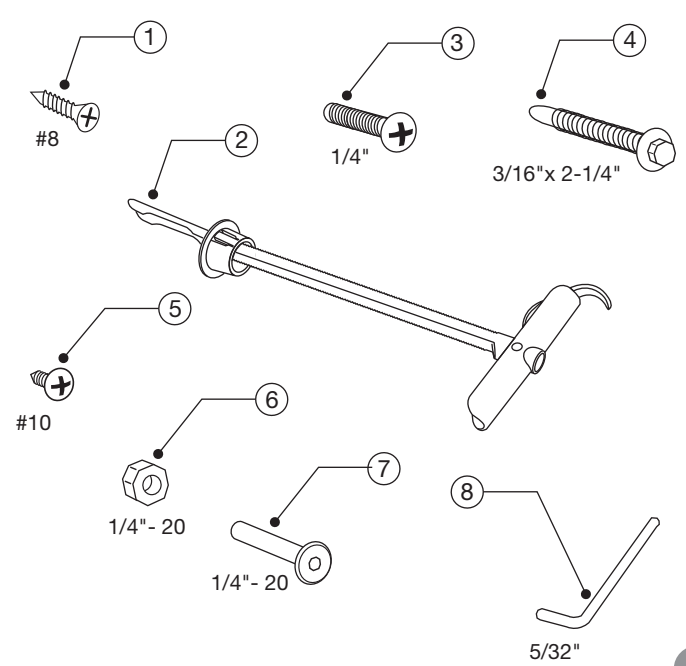
# JumpSeat® Wall Commercial Assembly Instructions



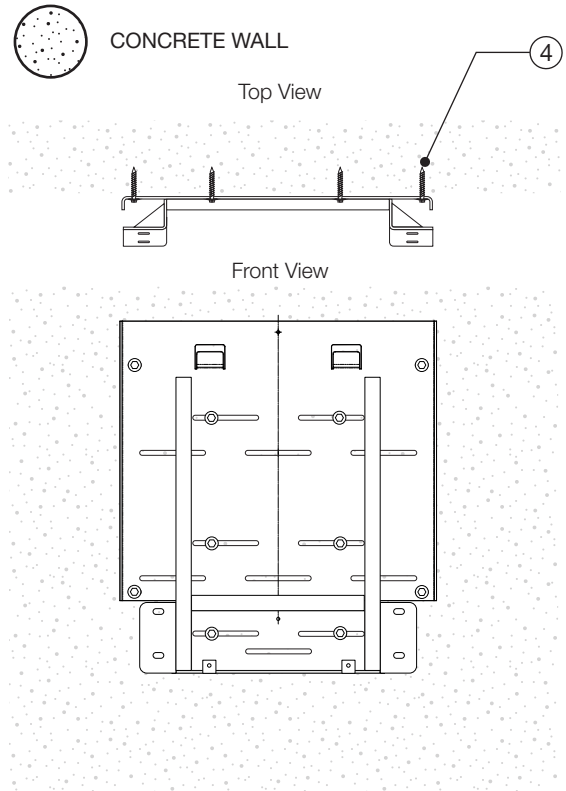
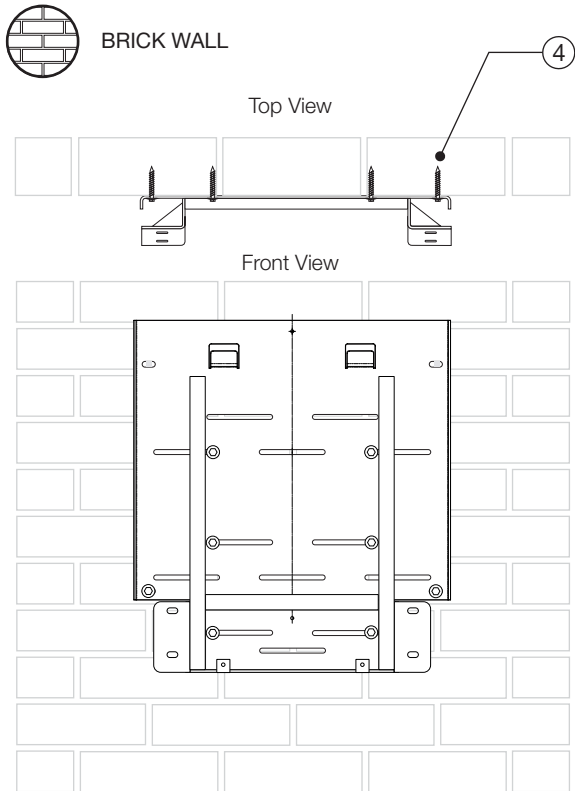
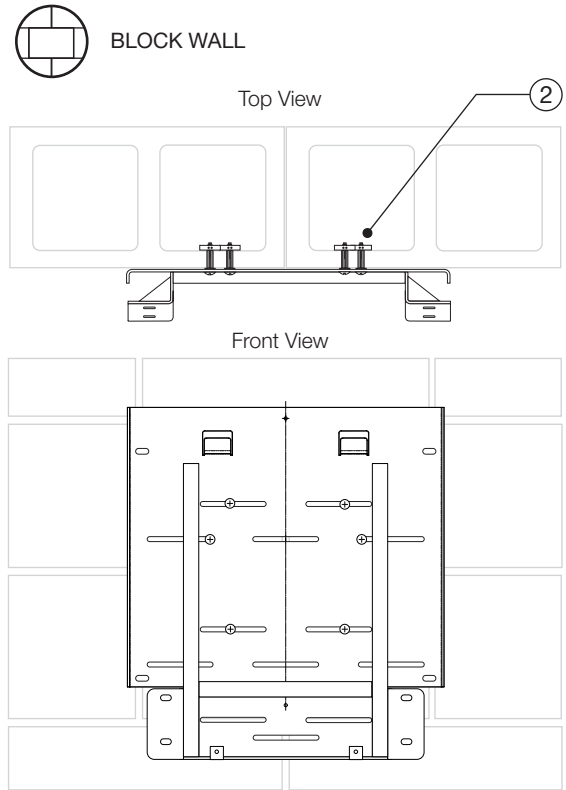
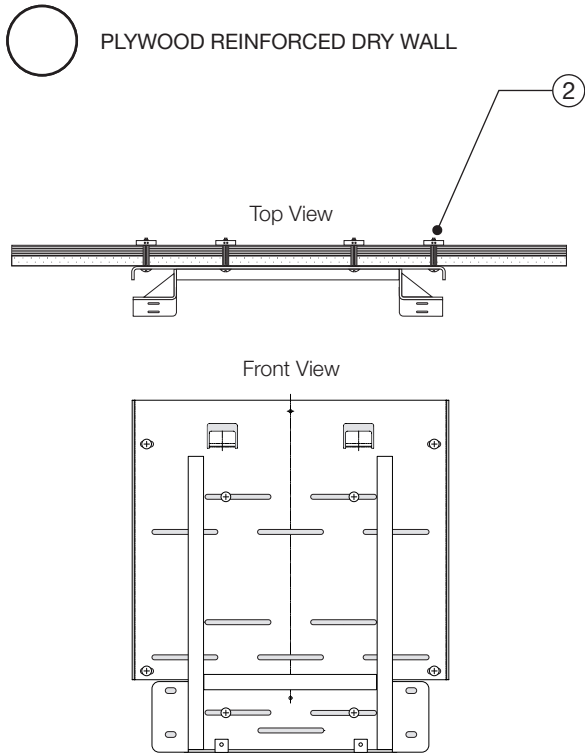
## TOOLS REQUIRED



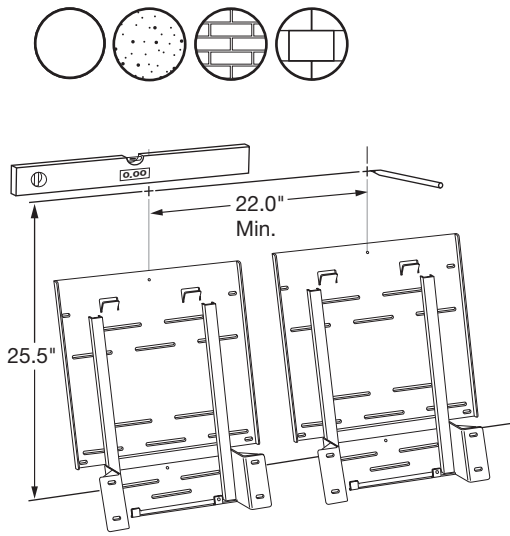
## HARDWARE INCLUDED



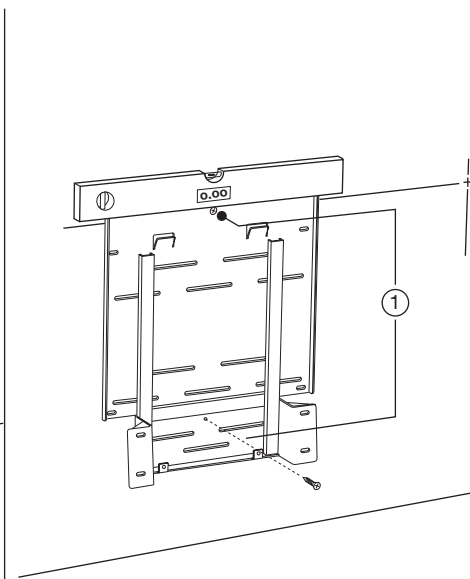
# JumpSeat® Wall Commercial Assembly Instructions



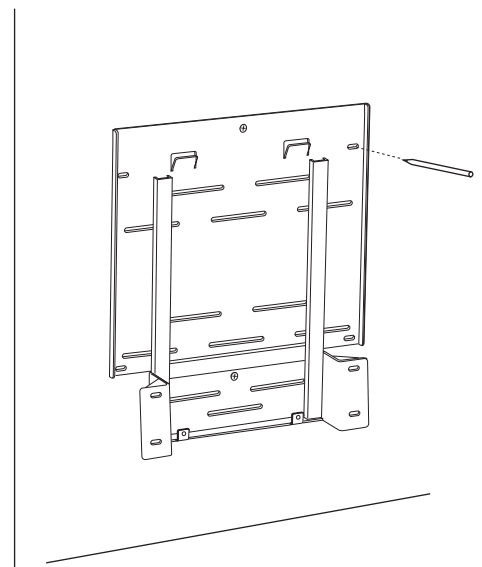
# JumpSeat® Wall Commercial Assembly Instructions



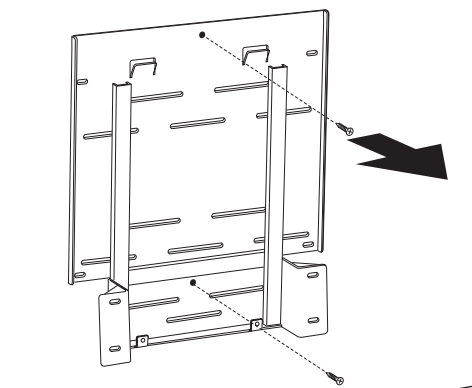
1



2

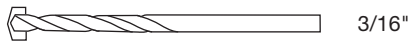
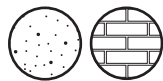


3



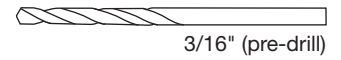
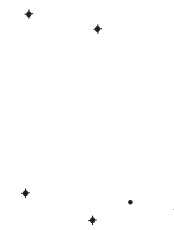
4

Drill



5a

Drill for Toggle Anchor

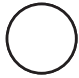


5b

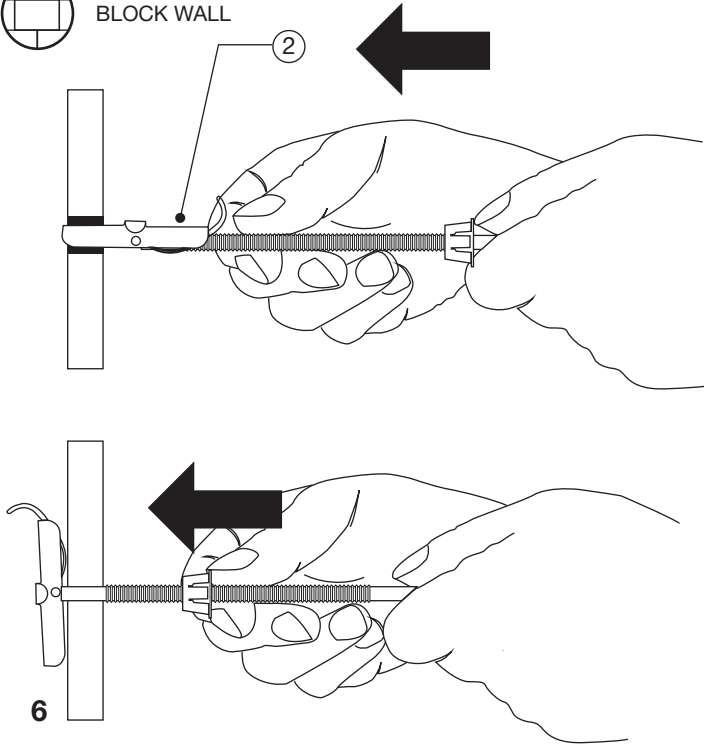
1/2" (drill)



# JumpSeat® Wall Commercial Assembly Instructions

 PLYWOOD REINFORCED DRY WALL

 BLOCK WALL



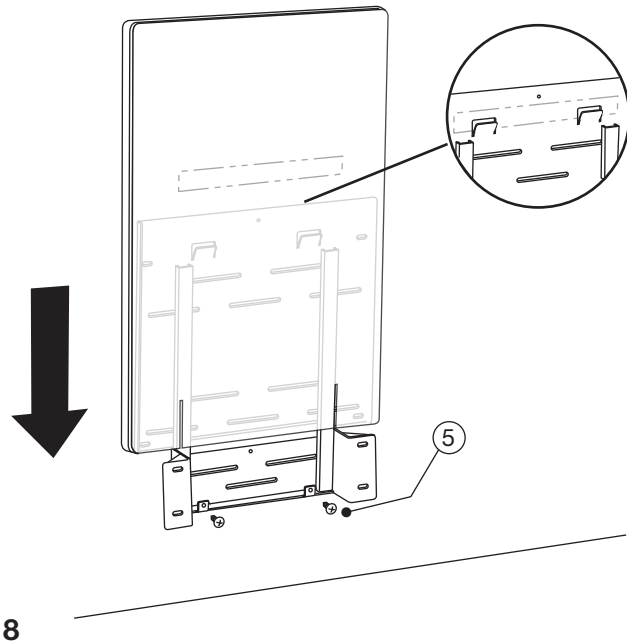
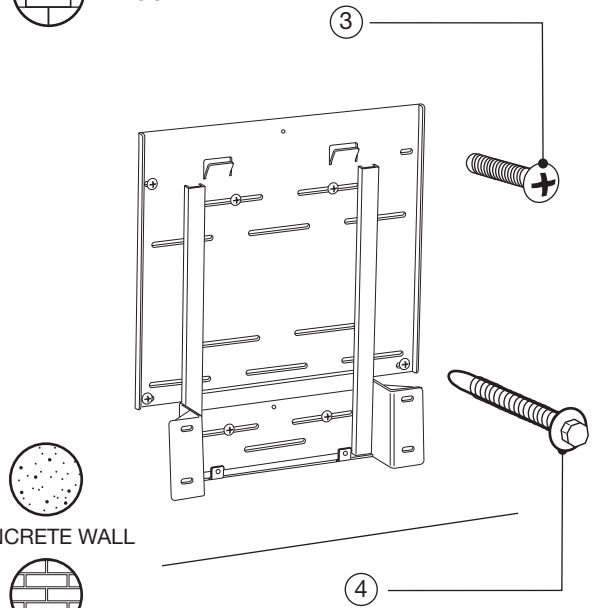
 PLYWOOD REINFORCED DRY WALL

 BLOCK WALL

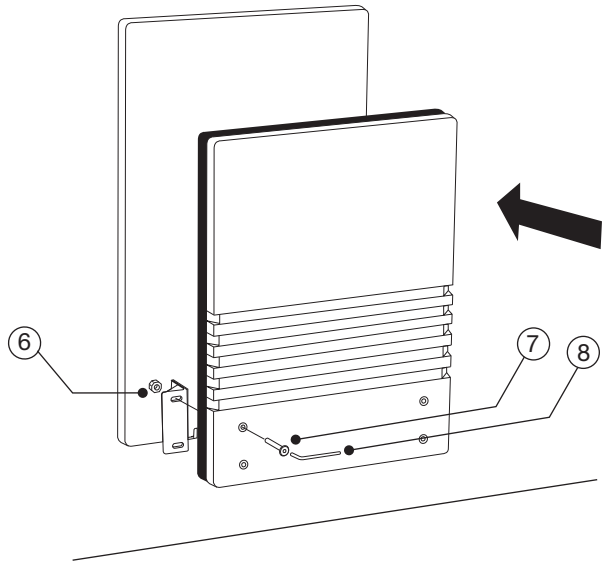
 CONCRETE WALL

 BRICK WALL

7



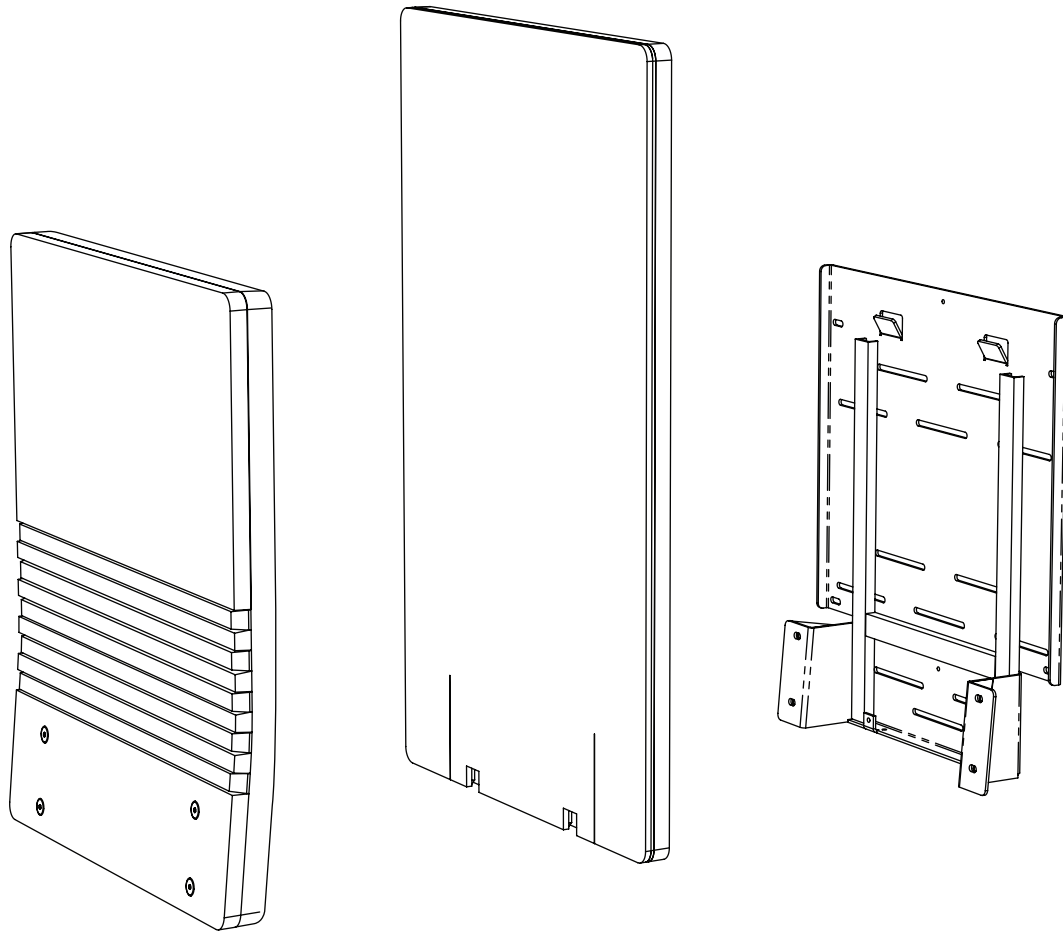
9



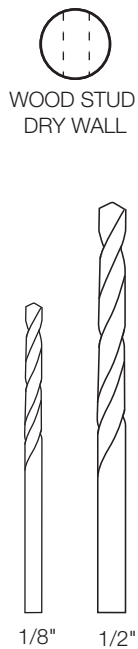
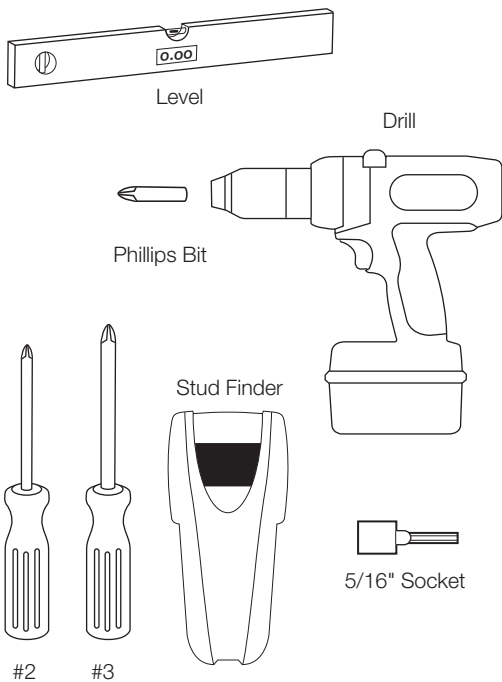
JumpSeat® is a trademark of Aria Enterprises, Inc.  
used under license by Sedia Systems, Inc.  
Patents: [www.sediasystems.com/patents](http://www.sediasystems.com/patents)

866.892.6130 [www.sediasystems.com](http://www.sediasystems.com)

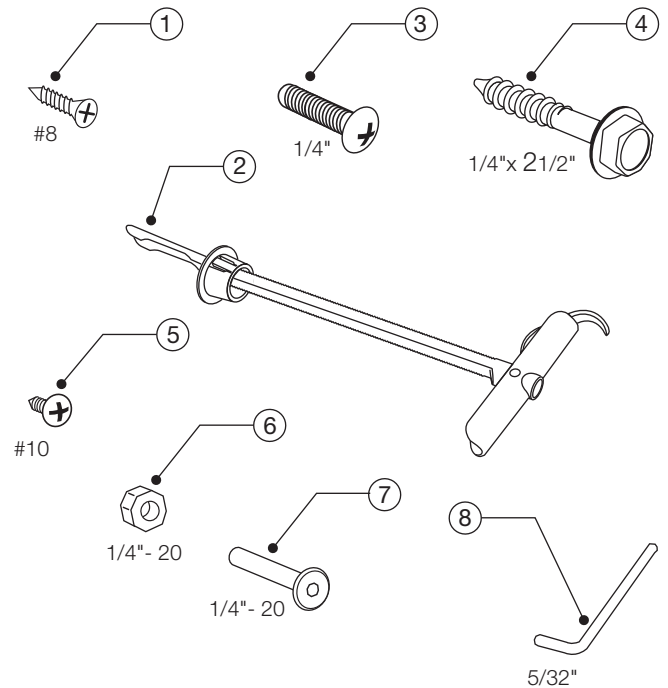
# JumpSeat® Wall Residential Assembly Instructions



## TOOLS REQUIRED



## HARDWARE INCLUDED



# JumpSeat® Wall Residential Assembly Instructions

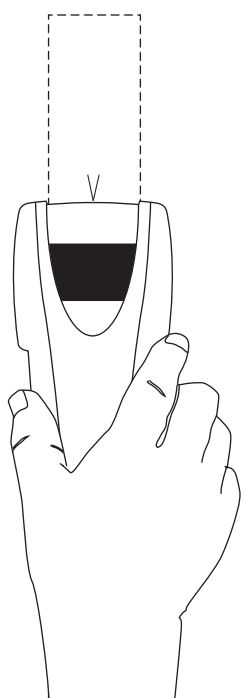
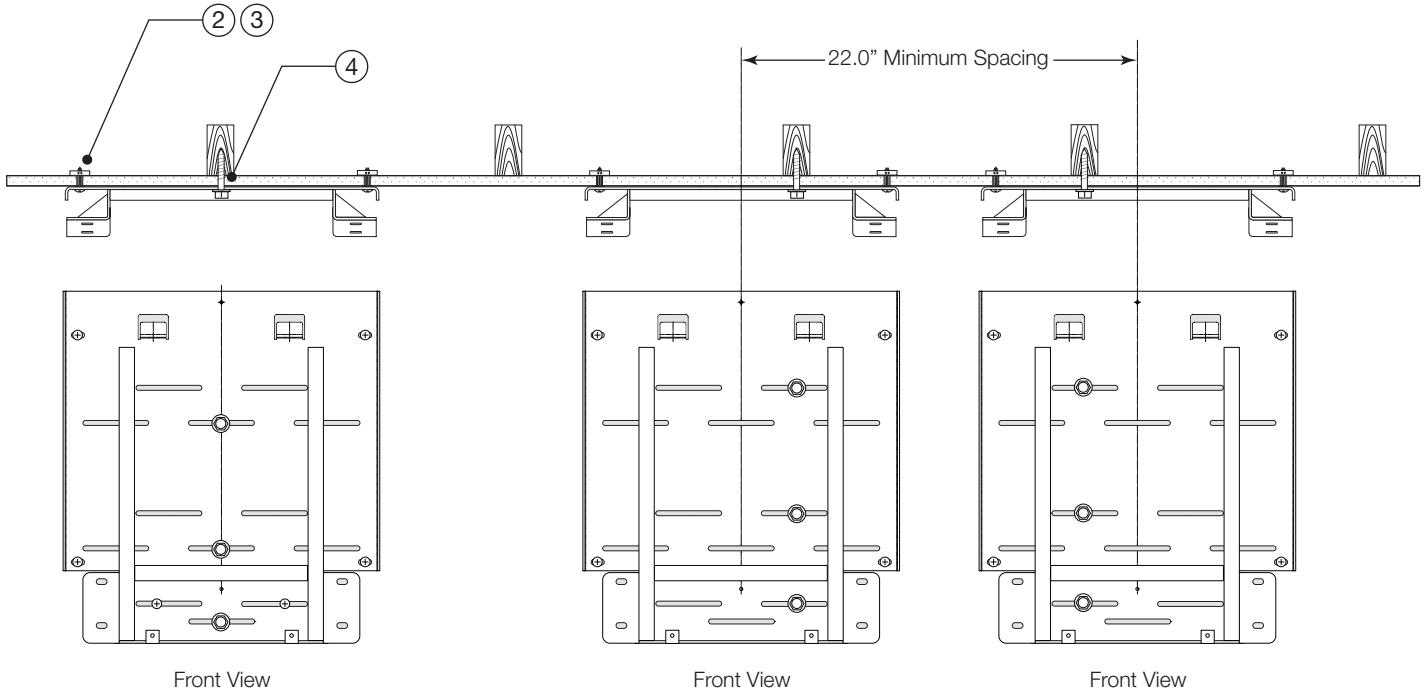


WOOD STUD DRY WALL

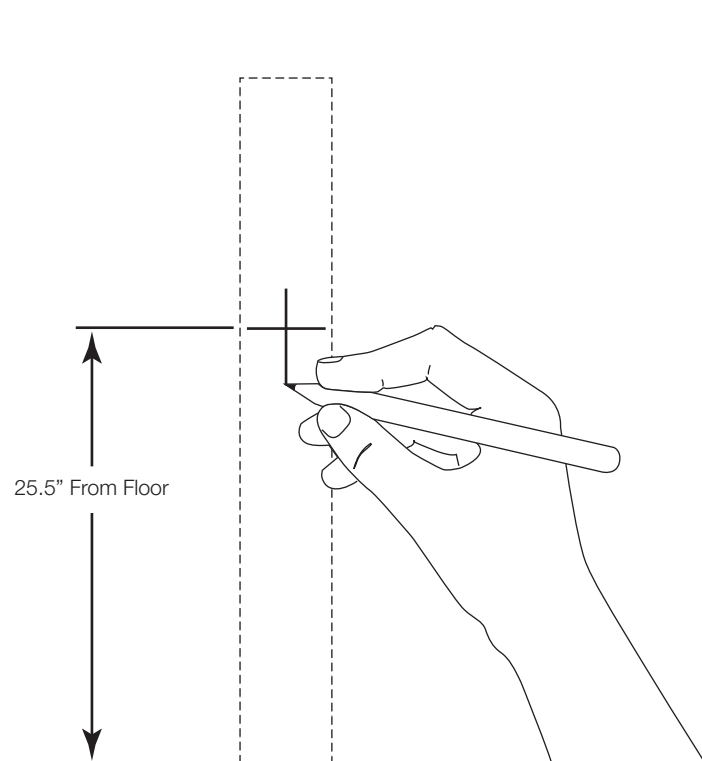
Top View Center Stud

Top View Right Side Stud

Top View Left Side Stud

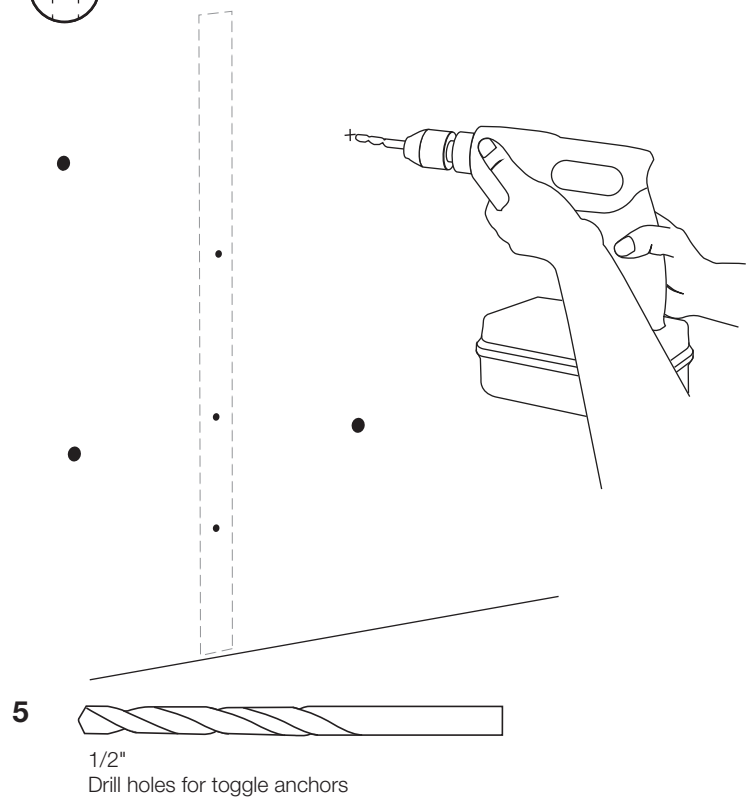
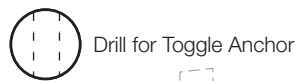
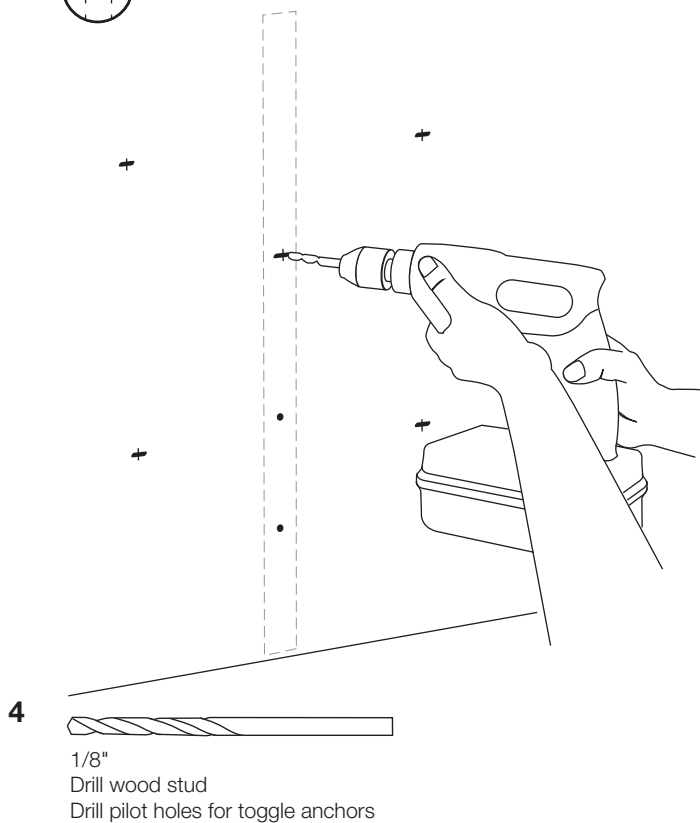
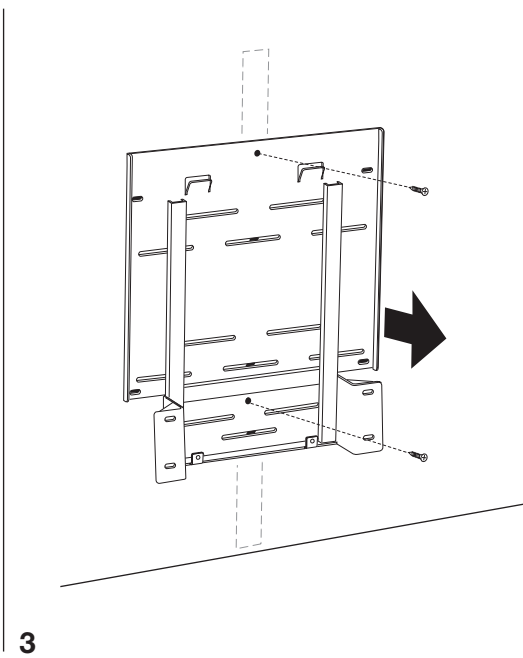
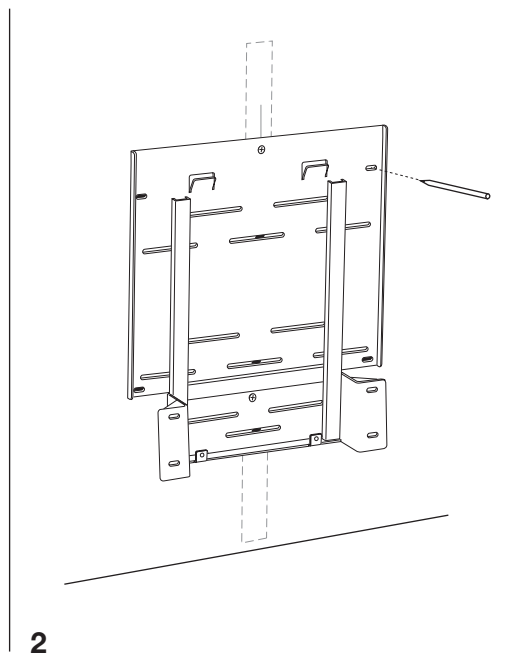
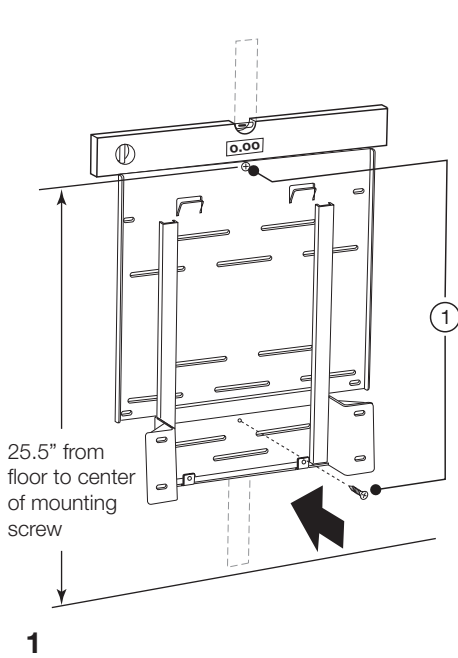
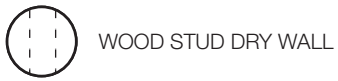


Locate Stud



Mark Center Line

# JumpSeat® Wall Residential Assembly Instructions



# JumpSeat® Wall Residential Assembly Instructions

