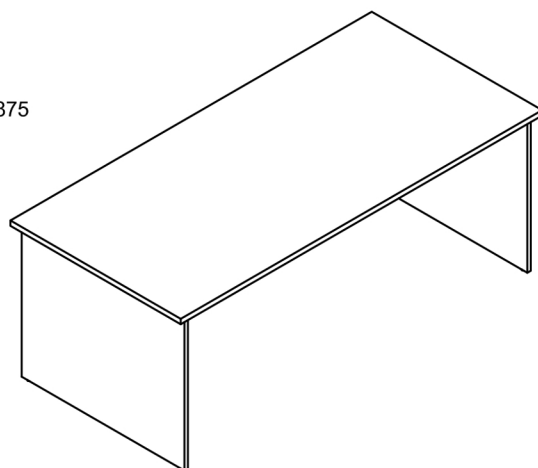


READY2GO

**ASSEMBLY INSTRUCTIONS
R20-DK & R20-DKS**

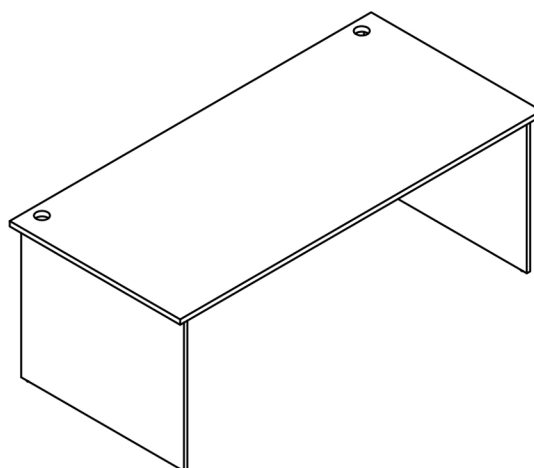
OPTION 1

R20-TT1875 assembly with R20-DB1875



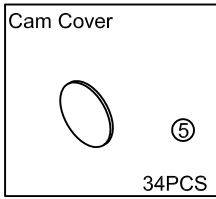
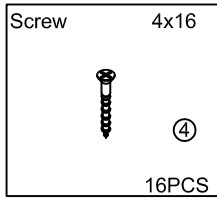
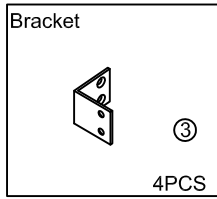
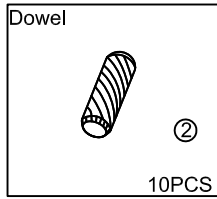
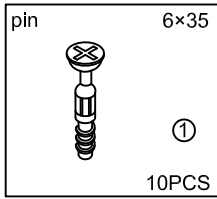
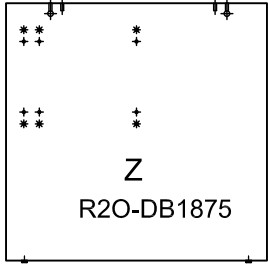
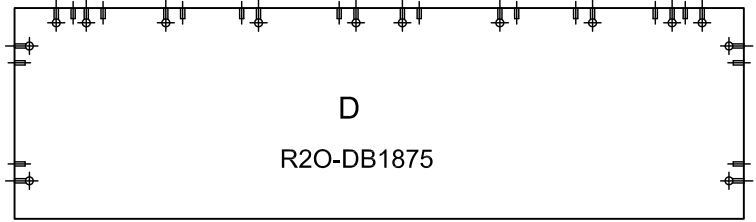
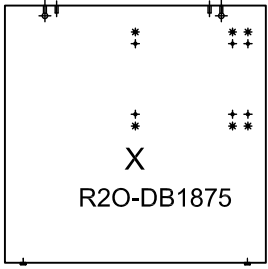
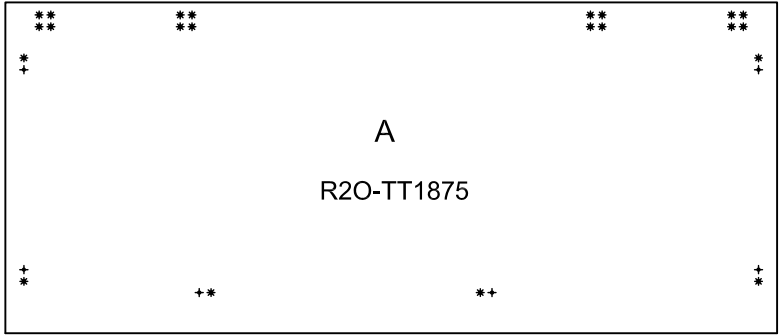
OPTION 2

R20-DT1875 assembly with R20-DB1875



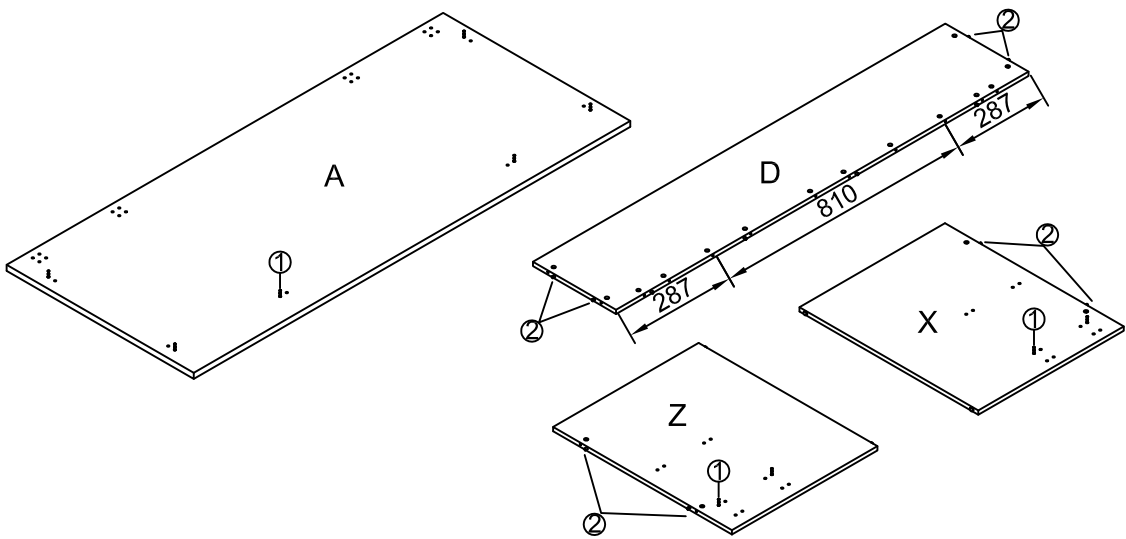
PLEASE NOTE:

THIS RETURN TOP CAN ASSEMBLE WITH METAL FRAMES. IF YOU ARE ASSEMBLING WITH METAL FRAMES, DISREGARD THESE INSTRUCTIONS AS THIS TOP CAN BE USED FOR MULTIPLE DIFFERENT METAL BASES



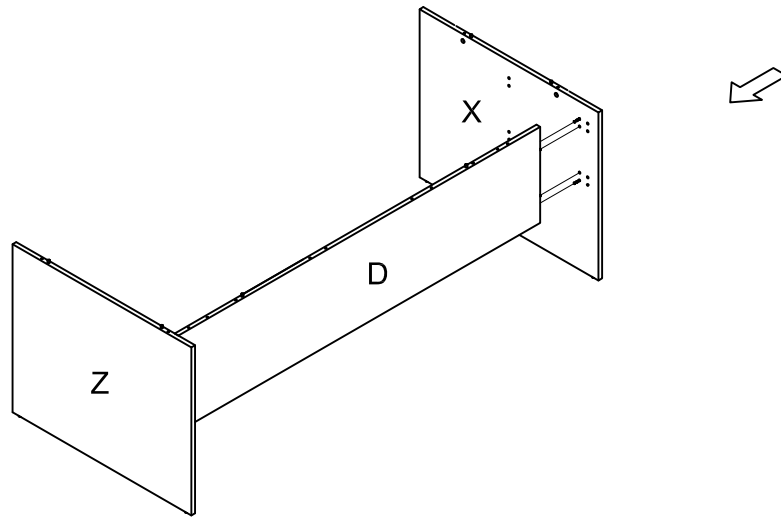
OPTION 1

1

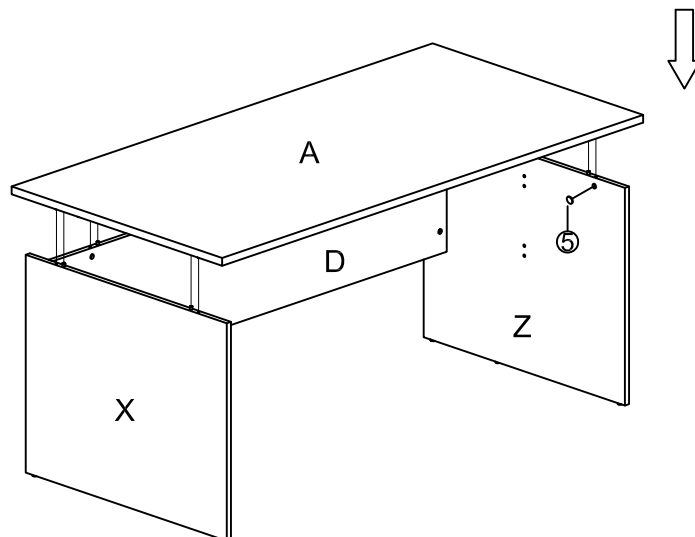


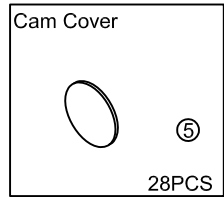
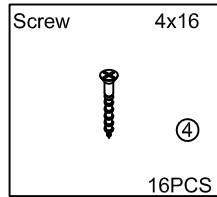
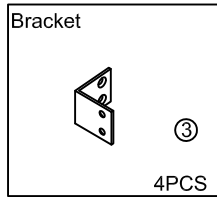
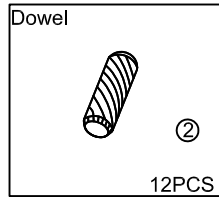
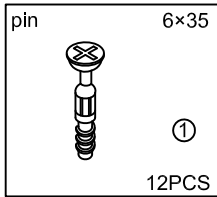
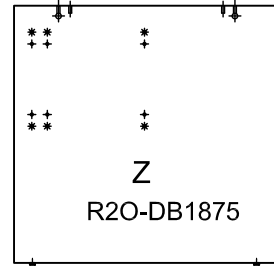
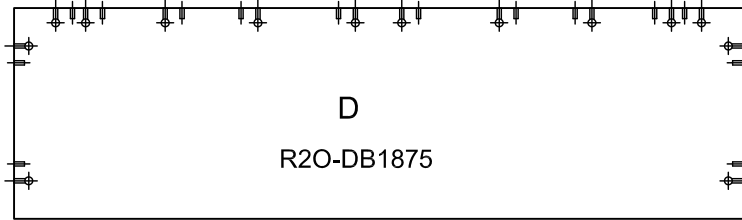
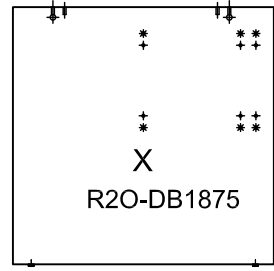
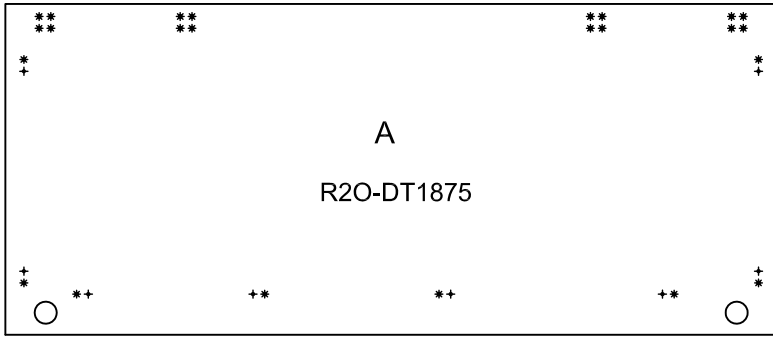
OPTION 1

2



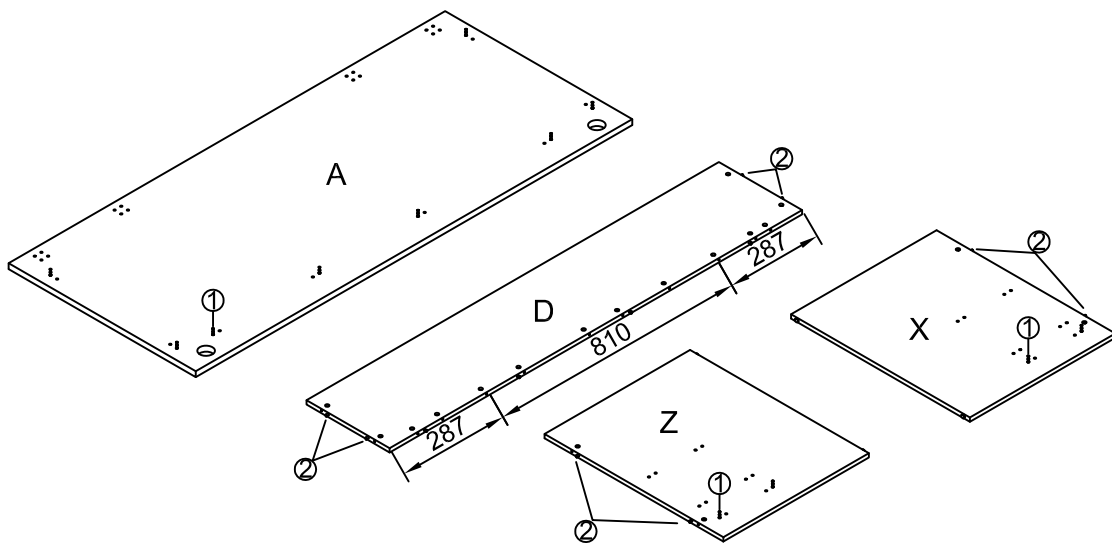
3





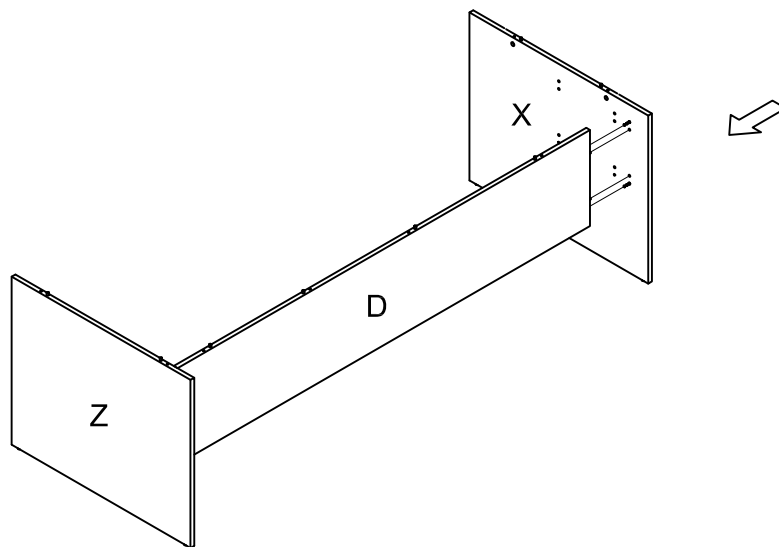
OPTION 2

1



OPTION 2

2



3

