

TYPE:

**KEY FEATURES**

- Internal and external noise-absorbing materials for enhanced acoustics
- A high-performance dimmable circular edge-lit LED panel
- Two sizes and 50 exterior wool colors
- Interior color always in Light Grey
- A minimalistic design that blends seamlessly into existing design features
- Thermo-formed felt shell manufactured from recycled plastics
- Hand-upholstered exterior from rapidly renewable and biodegradable wool
- Height adjustable 9' / 3m suspension cables and Black woven power cable
- IES photometric files available
- L70 lifetime rating of 50,000 hours

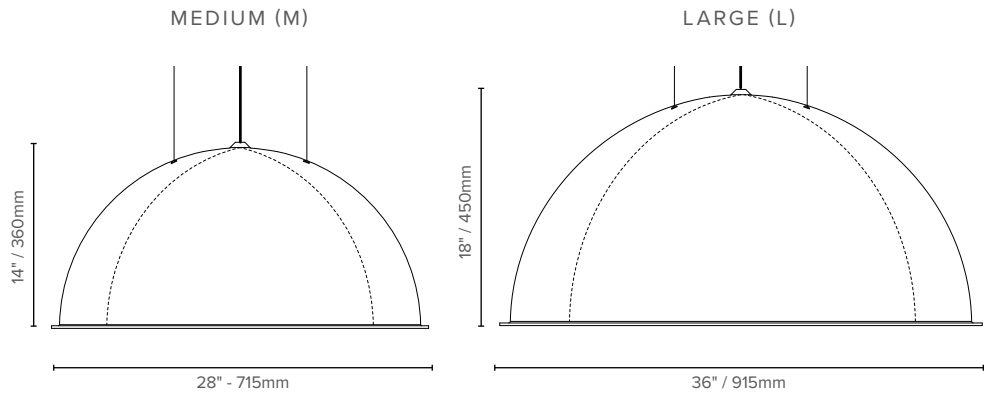
**OPTIONAL EXTRAS**

- Additional options available upon request:
- POE
  - Bluetooth controller (US & EU only)
  - Tunable White output
  - White canopy and power cord



## SIZE AND OUTPUT

	MEDIUM	LARGE
Delivered Lumen Output	2240lm	3850lm
Wattage	28W	48W
Efficacy	80 lm/W	80 lm/W
CRI	90+	
CCT	3000, 3500, 4000 K	
UGR	<19	



## ORDER CODE

**EXAMPLE FOR STANDARD LED PANEL: LX - HI - L - 2W - 40 - UNV - RD**

(Luxxbox Hemii, Large - dia 36" x 18" / dia 915 x 450 mm, Wool option 2W, 4000K, Universal 120-277V / 0-10V 1% dimming, Remote driver)

**EXAMPLE FOR E26/27 LAMP HOLDER: LX - HI - M - SG - E26**

(Luxxbox Hemii, Medium - dia 28" x 14" / dia 715 x 360 mm, Wool option 2W, E26 lamp holder (120V AC))

LX - HI		SIZE		*SHADE COLOR	COLOR TEMP		DRIVER / DIMMING		DRIVER TYPE			
HI	M	Medium Ø28" x 14" / 715mm x 360mm		Use color codes as shown	30	3000K	UNV	0 - 10V - 1% dimming (120-277V) (North America only)		CD	Canopy concealed driver (UNV/North America only)	
	L	Large Ø36" x 18" / 915mm x 450mm			35	3500K		G	1% dimming DSI/DALI (220 - 240V)**			
					40	4000K						
					*E26	E26 Lamp holder - 120V AC (North America only)		* Please note the light globe or driver will not be supplied with the E26/E27 option for this fixture.				
					*E27	E27 Lamp holder - 220-240V AC (Global)						

\*\* Global (G) dimming type is only available with Remote driver (RD)

Luxxbox reserves the right to change the specification, material and colors at any time without notice. Standard warranty terms and conditions apply. All rights reserved © All dimensions and values on specification sheet are nominal. Colors are subject to lead times and variations across batches. June 2023. LX-Hemii-Spec-Sheet v4.00




# HEMII (LX-HI)

TYPE:

## WOOL UPHOLSTERED

2S	2R	3E	2T	21	63	13	18
39	90	3D	2W	82	58	2X	1F
1L	53	1K	1M	1N	2Y	3A	3B
2U	3C	02	2Z	33	1P	26	1Y
09	62	1W	1V	1R	1T	31	47
86	2Q	28	1E	1J	12	30	35
			67	08			

**NOTE:**  
 The standard colour for the interior of the shade is **ALWAYS** Silver Grey(SG).



SG

Luxbox reserves the right to change the specification, material and colors at any time without notice. Standard warranty terms and conditions apply. All rights reserved © All dimensions and values on specification sheet are nominal. Colors are subject to lead times and variations across batches. June 2023. LX-Hemii-Spec-Sheet v4.00



LUXXBOX USA INC × (P)+1 (415) 871 0448 × USA@LUXXBOX.COM  
 LUXXBOX PTY LTD × (P)+61 7 3257 2822 × INFO@LUXXBOX.COM  
 WWW.LUXXBOX.COM





# HEMII (LX-HI)

TYPE:

## PHOTOMETRICS

### LUMEN OUTPUT

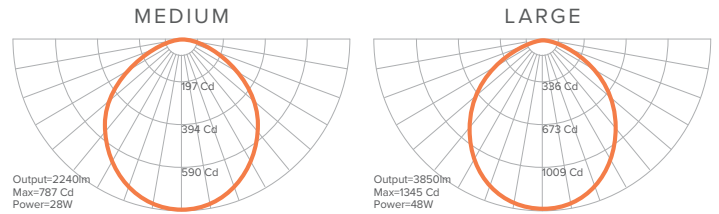
	MEDIUM	LARGE
Delivered Lumen Output	2240lm	3850lm
Wattage	28W	48W
Efficacy	80 lm/W	80 lm/W
CRI	90+	
CCT	3000, 3500, 4000 K	
UGR	<19	

### TM-30METRICS

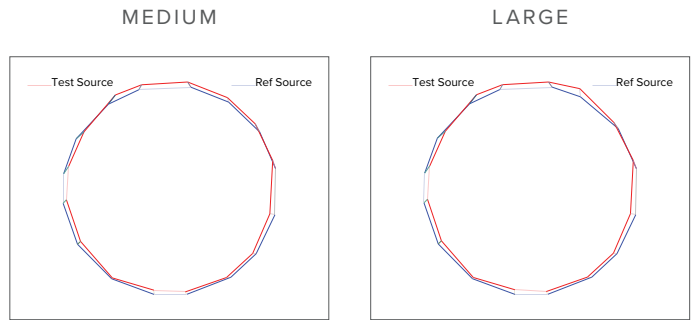
Fidelity Index (Rf): Average similarity to the reference source for all colors  
 Gamut Index (Rg): Average change in chroma for all colors

	MEDIUM	LARGE
Rf (Fidelity Index)	90.135	90.7
Rg (Gamut Index)	97.711	98.8

### LUMINOUS INTENSITY DISTRIBUTION



### COLOR VECTOR GRAPHIC



## DRIVER SPECS

UNV: 0-10V - 1% dimming (110 - 277VAC) (North America only)			
Size	Max Wattage	Max Output	COMPLIANCE
MEDIUM	48W	30-42V	
LARGE			

G: 0-10V - 1% dimming (220- 240VAC)			
Size	Max Wattage	Max Output	COMPLIANCE
MEDIUM	48W	18-54V	
LARGE			

Luxxbox reserves the right to change the specification, material and colors at any time without notice. Standard warranty terms and conditions apply. All rights reserved © All dimensions and values on specification sheet are nominal. Colors are subject to lead times and variations across batches. June 2023. LX-Hemii-Spec-Sheet v4.00



LUXXBOX USA INC × (P)+1 (415) 871 0448 × USA@LUXXBOX.COM  
 LUXXBOX PTY LTD × (P)+61 7 3257 2822 × INFO@LUXXBOX.COM  
 WWW.LUXXBOX.COM





# HEMII (LX-HI)

TYPE:

## PRODUCT ACOUSTIC PROPERTIES

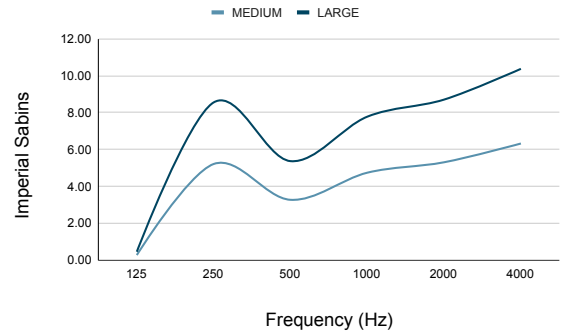
Testing and post analysis procedures were carried out in accordance with the references detailed below:

AS ISO 354-2006 (R2016)	Acoustics—Measurement of sound absorption in a reverberation room
AS ISO 11654—2002	Rating of sound absorption—Materials and systems
ASTM C423-17	Standard Test Method for Sound Absorption and Sound Absorption Coefficients by the Reverberation Room Method
ASTM E795-16	Standard Practices for Mounting Test Specimens During Sound Absorption Tests
ISO 20189	Screens, furniture and single objects intended for interior use – Rating of sound absorption and sound reduction of elements based on laboratory measurements.

Below you'll find the data for both sizes of this product in Imperial and Metric units. Please note we this data has been extrapolated from the results obtained in the testing of the Medium Helm pendant as we are using the same combination of materials in both products.

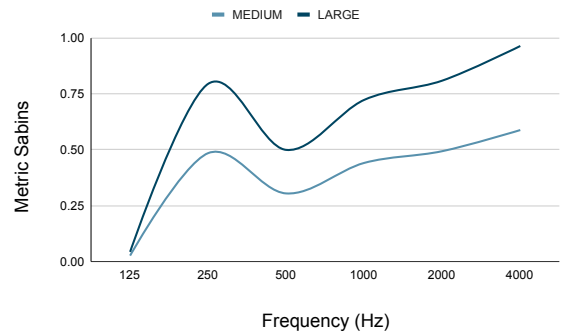
### IMPERIAL SABINS

Frequency (Hz)	Sound Absorption Coefficient	MEDIUM (M)	LARGE (L)
125	0.03	0.28	0.46
250	0.64	5.22	8.55
500	0.40	3.28	5.37
1000	0.58	4.75	7.78
2000	0.65	5.31	8.71
4000	0.78	6.33	10.38



### METRIC SABINS

Frequency (Hz)	Sound Absorption Coefficient	MEDIUM (M)	LARGE (L)
125	0.03	0.03	0.04
250	0.64	0.48	0.79
500	0.40	0.30	0.50
1000	0.58	0.44	0.72
2000	0.65	0.49	0.81
4000	0.78	0.59	0.96



The Sabin data shown above is in accordance with the latest International Standards for the rating of sound absorption and reduction. This is different from the classic methodology, which includes the calculation of the Noise Reduction Coefficient (NRC), the Sound Absorption Average (SAA), the Weighted Sound Absorption Coefficient (**aw**) and the Sound Absorption Class (SAC). However, to make it easier to compare against other products, we are including that information on the table on the right, which was calculated using the Largest Single Face method. Fully detailed test reports are available upon request.

NRC	0.6
SAA	0.58
aw	0.60
SAC	C

Luxbox reserves the right to change the specification, material and colors at any time without notice. Standard warranty terms and conditions apply. All rights reserved © All dimensions and values on specification sheet are nominal. Colors are subject to lead times and variations across batches. June 2023. LX-Hemii-Spec-Sheet v4.00



LUXBOX USA INC × (P)+1 (415) 871 0448 × USA@LUXBOX.COM  
 LUXBOX PTY LTD × (P)+61 7 3257 2822 × INFO@LUXBOX.COM  
 WWW.LUXBOX.COM



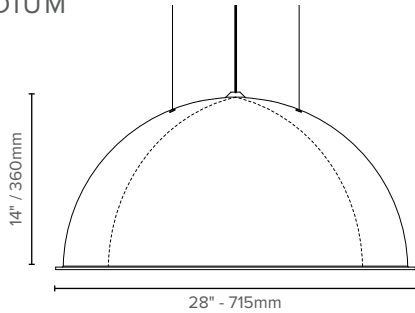


# HEMII (LX-HI)

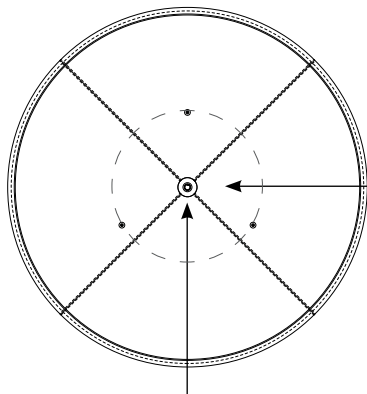
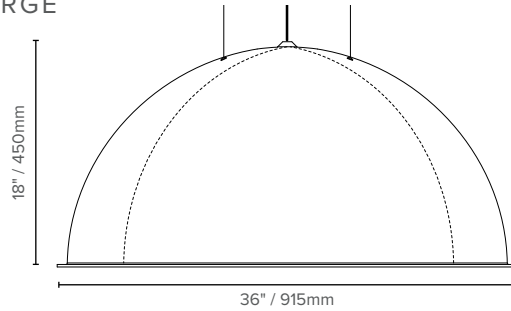
TYPE:

## PRODUCT DIMENSIONS

MEDIUM

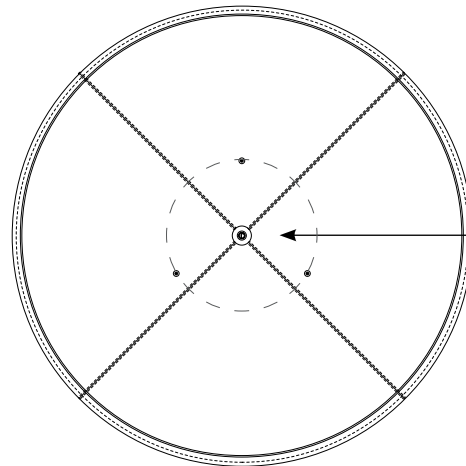


LARGE



Power Cable centered with fixture

PCD = 12.5" / 317.5mm  
3 points equally spaced at 120°



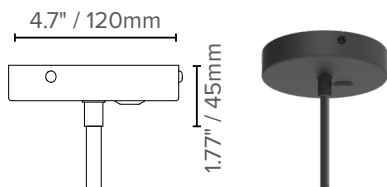
PCD = 12.5" / 317.5mm  
3 points equally spaced at 120°

## CANOPY INFORMATION

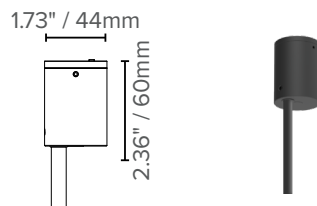
Please note power cord and canopy will always be supplied in black unless specified otherwise.

PRODUCT	SIZE	OUTPUT	UNIVERSAL (NORTH AMERICA)			GLOBAL	
			RD	CD	E26	RD	E27
LX-HI	ALL SIZES	D	SA1	CD9	SA1	SB1	SB1

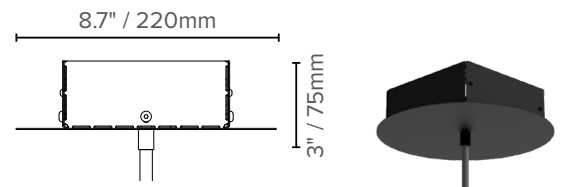
SA1/SA2



SB1/SB2



CD9



Luxbox reserves the right to change the specification, material and colors at any time without notice. Standard warranty terms and conditions apply. All rights reserved © All dimensions and values on specification sheet are nominal. Colors are subject to lead times and variations across batches. June 2023. LX-Hemii-Spec-Sheet v4.00



LUXBOX USA INC × (P)+1 (415) 871 0448 × USA@LUXBOX.COM  
LUXBOX PTY LTD × (P)+61 7 3257 2822 × INFO@LUXBOX.COM  
WWW.LUXBOX.COM

