



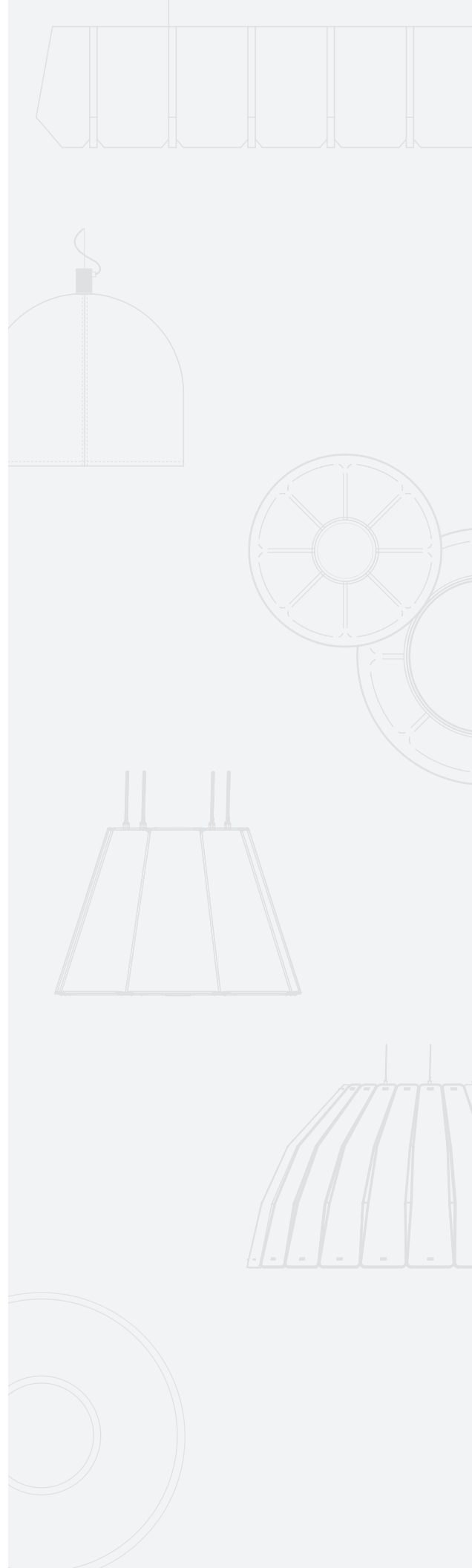
---

# ACOUSTIC LIGHTING

GLOBAL (G)

---

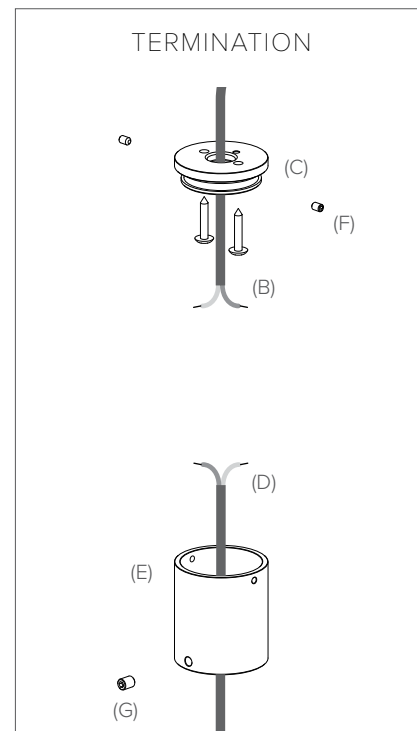
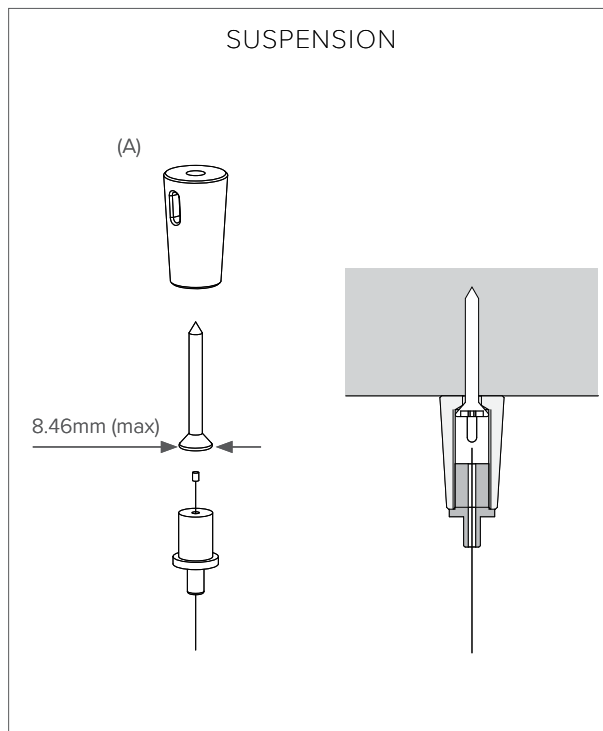
INSTALLATION INSTRUCTIONS





Caution, risk of electric shock

# REMOTE DRIVER



⚠ Before starting, determine which fasteners will be best suited to secure the fitting, based on the material of the ceiling substrate.

⚠ This product is to be installed by a qualified electrician only.

1. See suspension point locations on the product's spec sheet and hang light fixture from ceiling using mounting hardware provided (A).
2. Terminate driver input to mains power following the legend on the driver and the labels on the cables. Terminate dimming cables to dimming module if applicable. Ground canopy.
3. Insert driver's output (B) through canopy base (C). Insert power cable from fixture (D) through the canopy cover (E).
4. Terminate power cable from fixture to driver's output inside the canopy following the labels on the cables.
5. Place canopy cover over canopy base, then fasten the side screws (F) and the strain relief on the canopy cover (G).

Luxxbox reserves the right to change the specification, material and colors at any time without notice. Standard warranty terms and conditions apply. All rights reserved © All dimensions and values on specification sheet are nominal. October 2022. Master-Global-v1.1



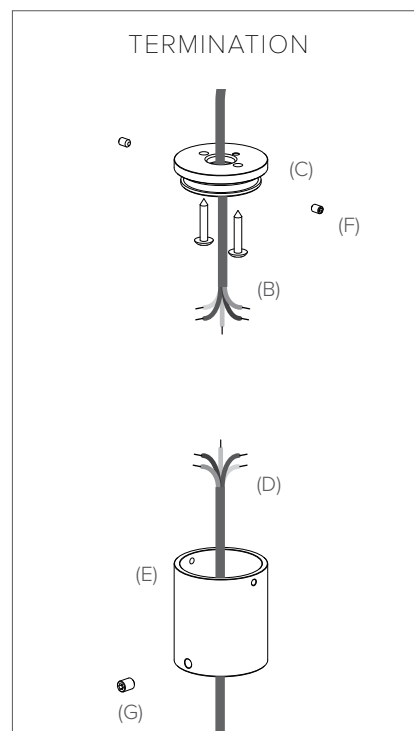
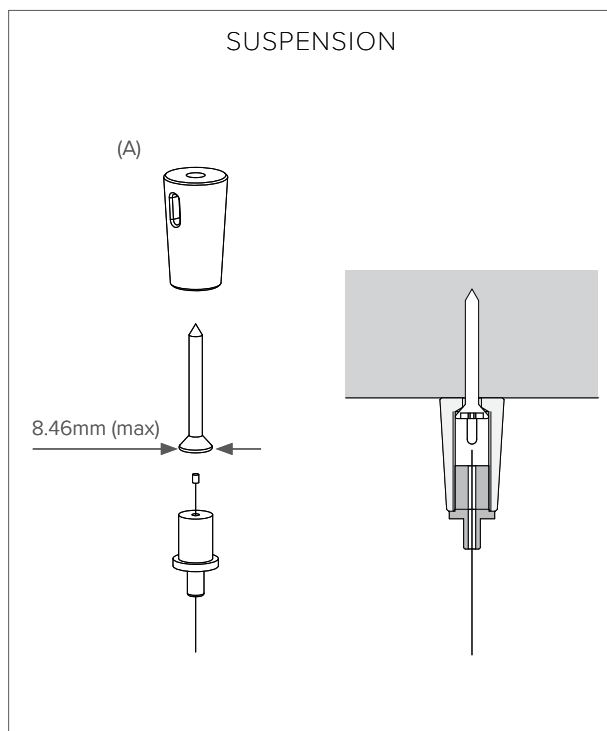
LUXXBOX USA INC × (P)+1 (415) 871 0448 × USA@LUXXBOX.COM  
LUXXBOX PTY LTD × (P)+61 7 3257 2822 × INFO@LUXXBOX.COM  
WWW.LUXXBOX.COM





Caution, risk of electric shock

# ON-BOARD DRIVER



⚠ Before starting, determine which fasteners will be best suited to secure the fitting, based on the material of the ceiling substrate.

⚠ This product is to be installed by a qualified electrician only.

1. See suspension point locations on the product's spec sheet and hang light fixture from ceiling using mounting hardware provided (A).
2. Insert mains power (B) through canopy base (C). Insert power cable from fixture (D) through the canopy cover (E).
3. Terminate power cable from fixture to mains power inside the canopy following the legend on the driver and the labels on the cables.
4. Place canopy cover over canopy base, then fasten the side screws (F) and the strain relief on the canopy cover (G).

Luxxbox reserves the right to change the specification, material and colors at any time without notice. Standard warranty terms and conditions apply. All rights reserved © All dimensions and values on specification sheet are nominal. October 2022. Master-Global-v1.1



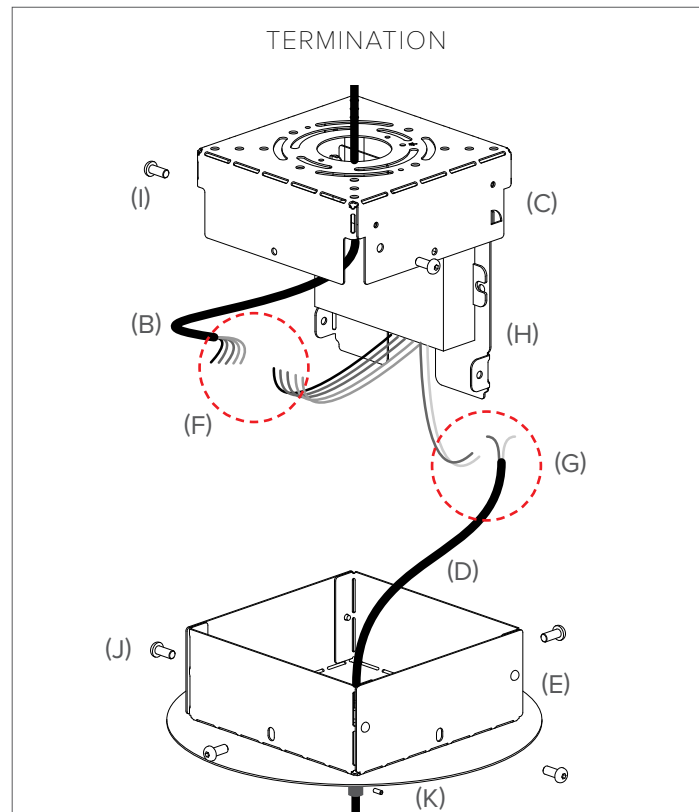
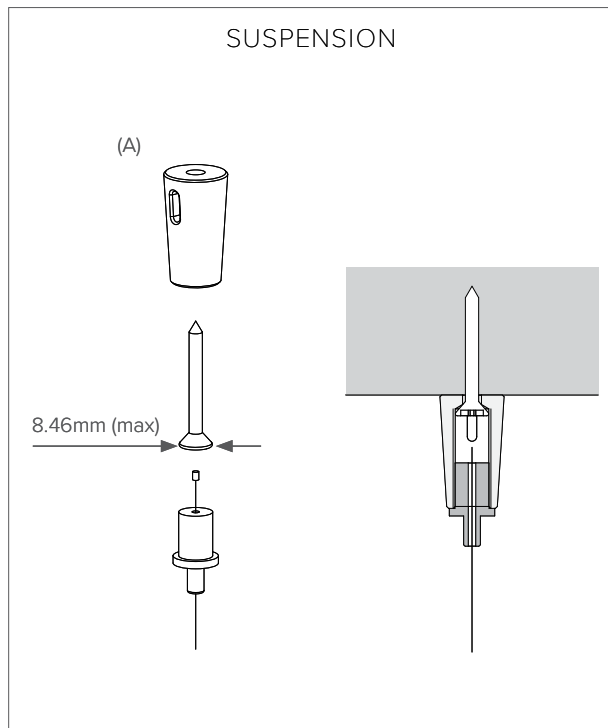
LUXXBOX USA INC × (P)+1 (415) 871 0448 × USA@LUXXBOX.COM  
LUXXBOX PTY LTD × (P)+61 7 3257 2822 × INFO@LUXXBOX.COM  
WWW.LUXXBOX.COM





Caution, risk of electric shock

# CANOPY-CONCEALED DRIVER



⚠ Before starting, determine which fasteners will be best suited to secure the fitting, based on the material of the ceiling substrate.

⚠ This product is to be installed by a qualified electrician only.

1. See suspension point locations on the product's spec sheet and hang light fixture from ceiling using mounting hardware provided (A).
2. Insert mains power (B) through canopy base (C) and power cable from fixture (D) through the canopy cover (E).
3. Terminate power cable from fixture to mains power inside the canopy and following the labels on the cables (F). Do the same with dimming cables if applicable (G).
4. Close driver mount plate (H) and use supplied screws (I) to fix it in place
5. Place canopy cover (E) over canopy base (C), then fasten grub screws (J) and cable strain relief (K).

Luxxbox reserves the right to change the specification, material and colors at any time without notice. Standard warranty terms and conditions apply. All rights reserved © All dimensions and values on specification sheet are nominal. October 2022. Master-Global-v1.1



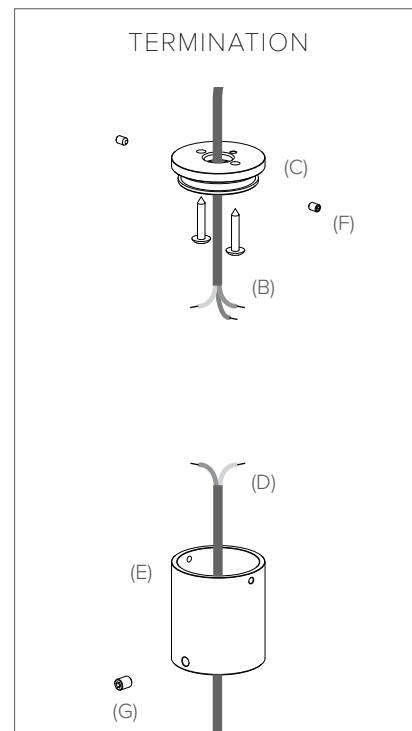
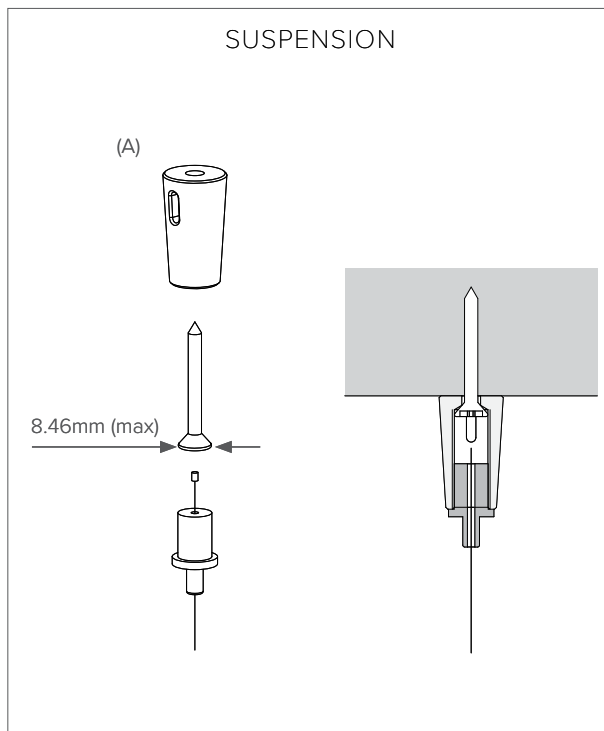
LUXXBOX USA INC × (P)+1 (415) 871 0448 × USA@LUXXBOX.COM  
LUXXBOX PTY LTD × (P)+61 7 3257 2822 × INFO@LUXXBOX.COM  
WWW.LUXXBOX.COM





Caution, risk of electric shock

E27



⚠ Before starting, determine which fasteners will be best suited to secure the fitting, based on the material of the ceiling substrate.

⚠ This product is to be installed by a qualified electrician only.

1. See suspension point locations on the product's spec sheet and hang light fixture from ceiling using mounting hardware provided (A).
2. Insert mains power (B) through canopy base (C). Insert power cable from fixture (D) through the canopy cover (E).
3. Terminate power cable from fixture to mains power inside the canopy following the labels on the cables. Ground canopy.
4. Place canopy cover over canopy base, then fasten the side screws (F) and the strain relief on the canopy cover (G).

Luxxbox reserves the right to change the specification, material and colors at any time without notice. Standard warranty terms and conditions apply. All rights reserved © All dimensions and values on specification sheet are nominal. October 2022. Master-Global-v1.1



LUXXBOX USA INC × (P)+1 (415) 871 0448 × USA@LUXXBOX.COM  
 LUXXBOX PTY LTD × (P)+61 7 3257 2822 × INFO@LUXXBOX.COM  
 WWW.LUXXBOX.COM

