

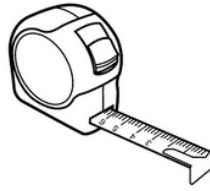
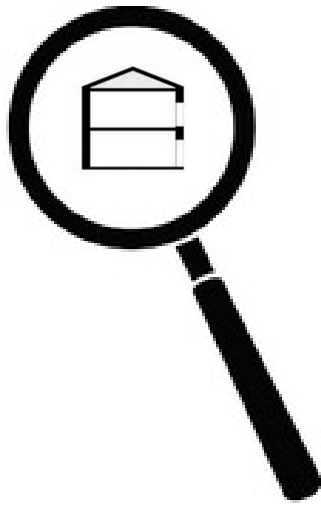
OFFECCT

Notes

ASSEMBLY INSTRUCTIONS



I

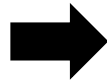


A = ... mm
B = ... mm
C = ... mm
...

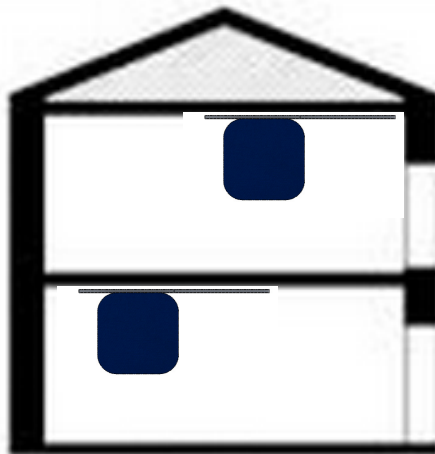
II



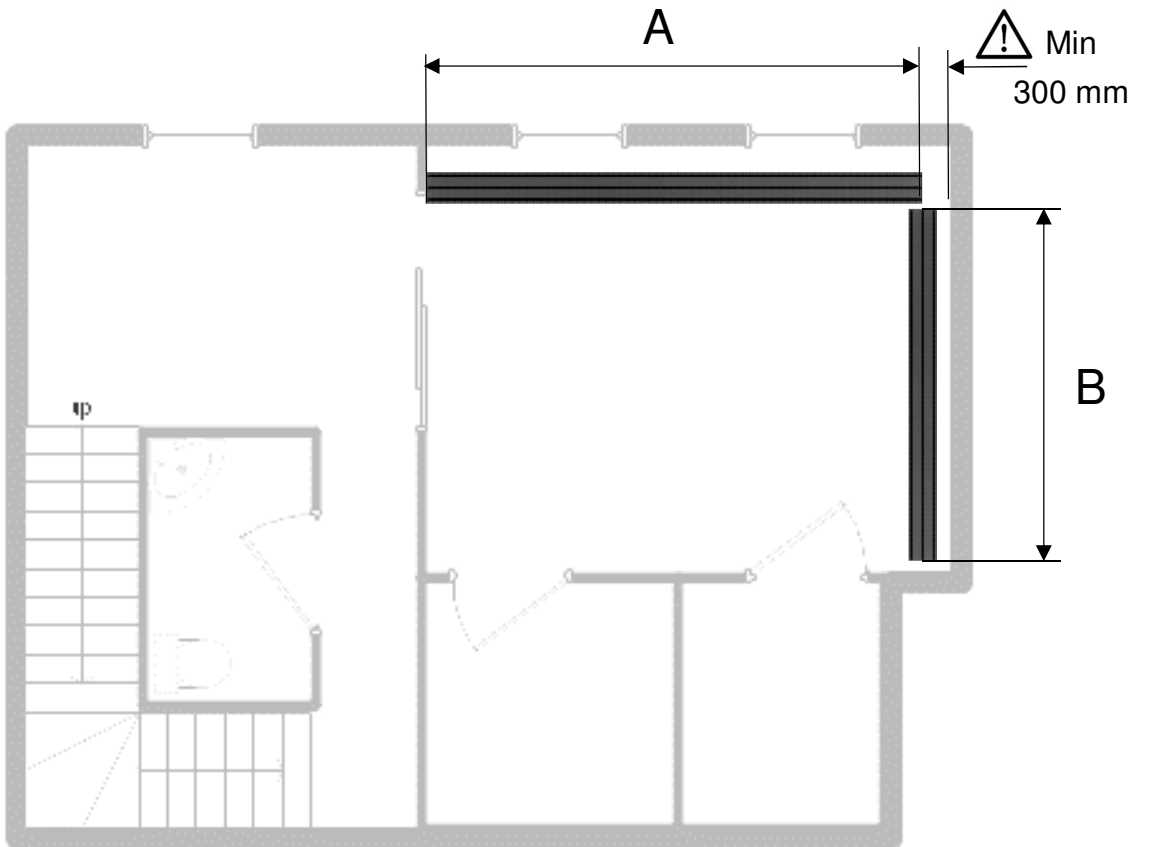
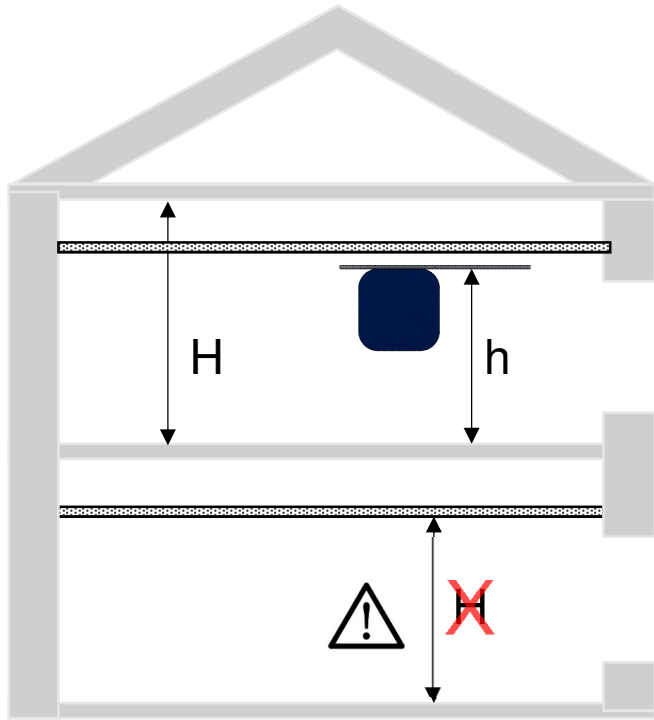
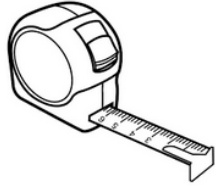
A B C...



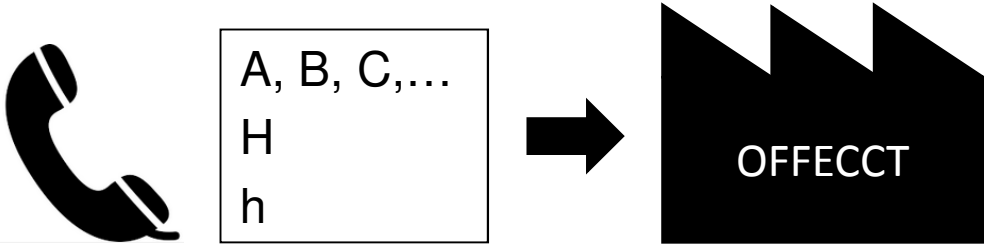
III



I



II



OFFECCT:

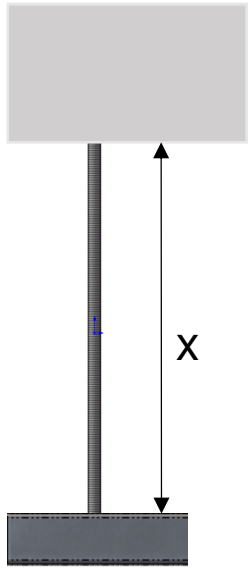
$A < 3000 \text{ mm}$
 $A = A$

$A > 3000 \text{ mm}$
 $A = a_1 + a_2 + \dots \quad a \leq 3000 \text{ mm}$

B...

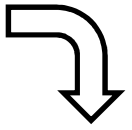
C...

$H - h = x$

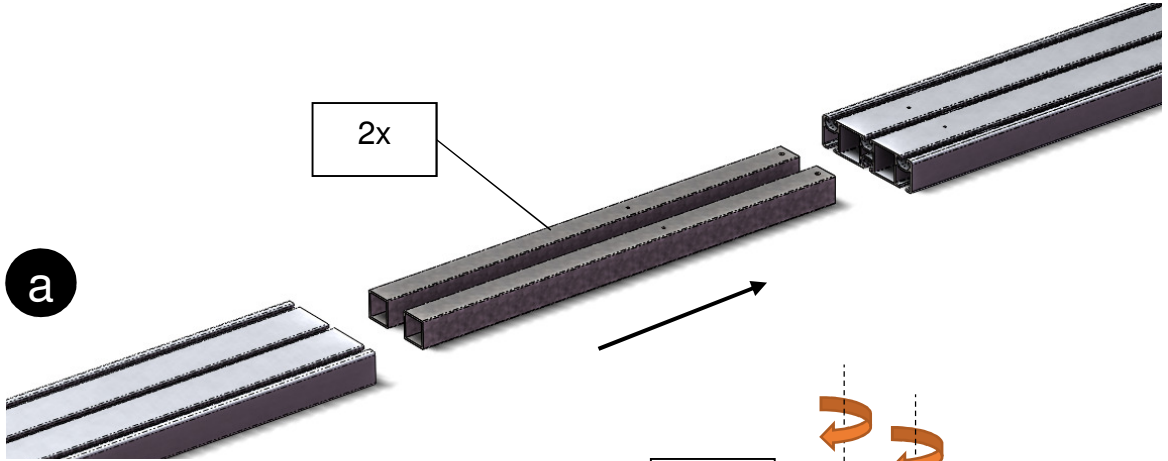


III

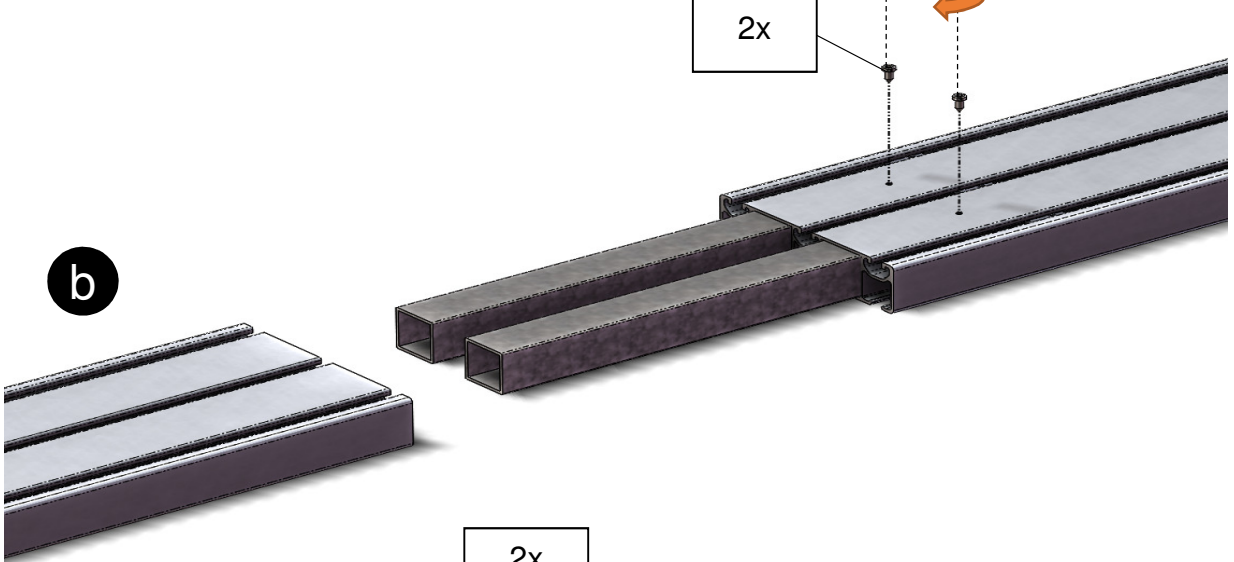
Max 3000 mm + Max 3000 mm + ... ∞



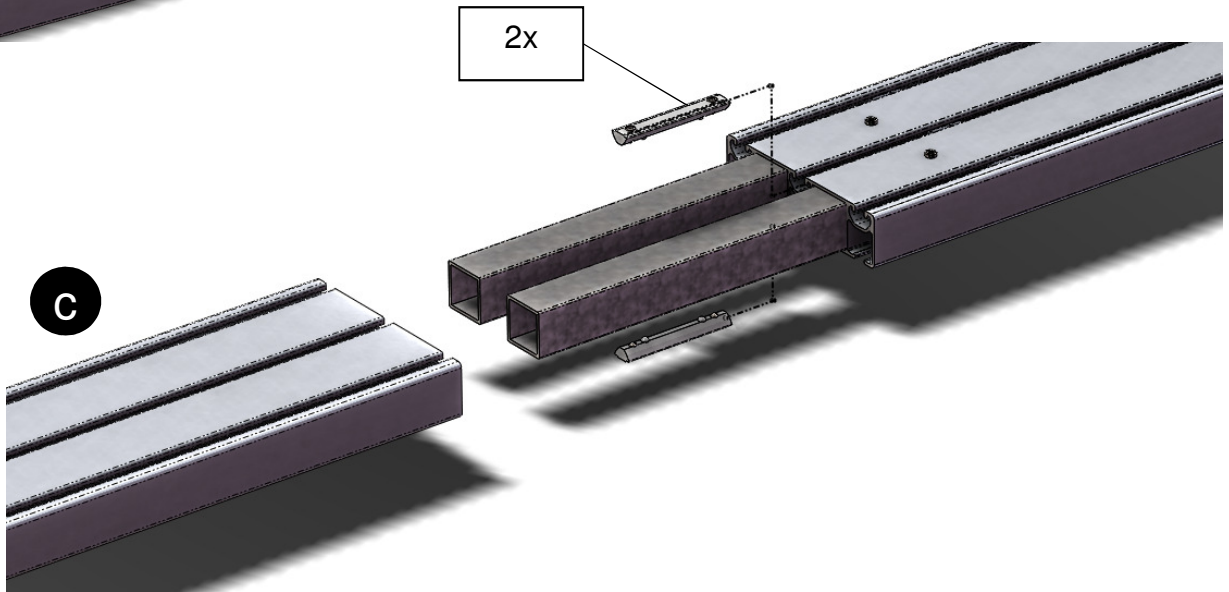
1



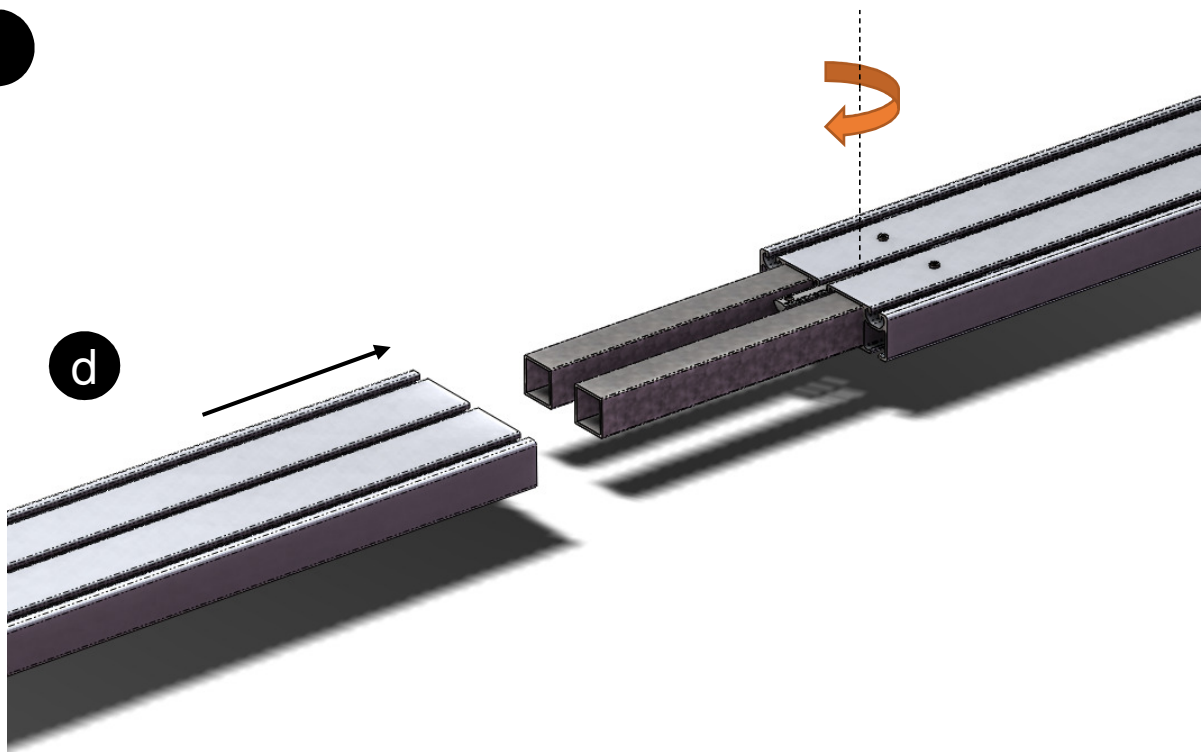
b



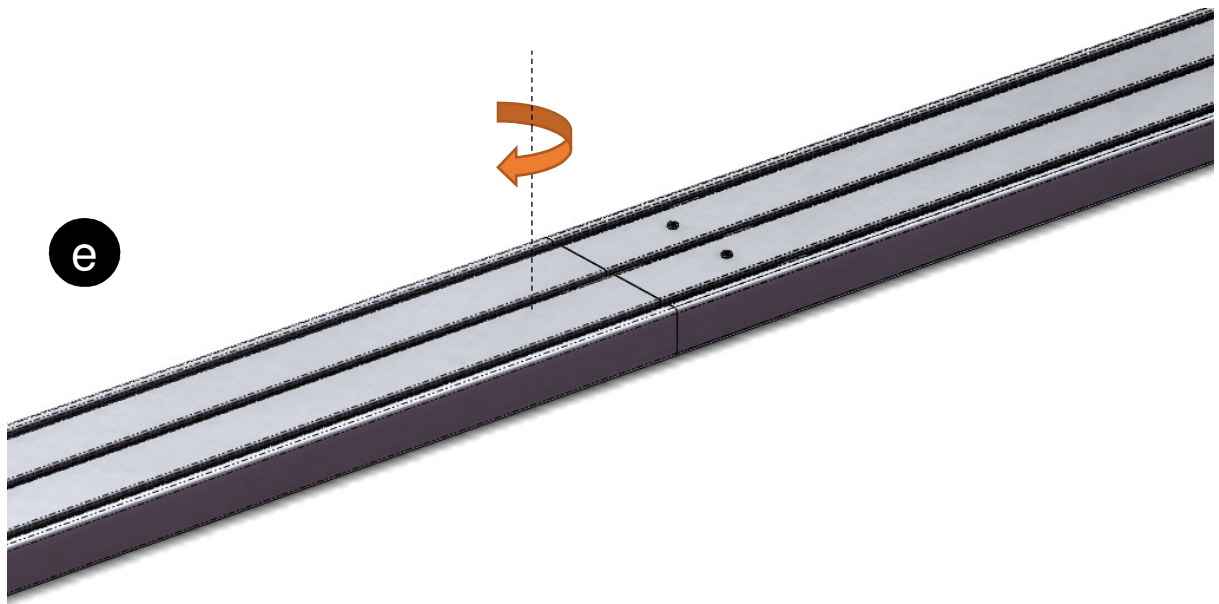
c



1

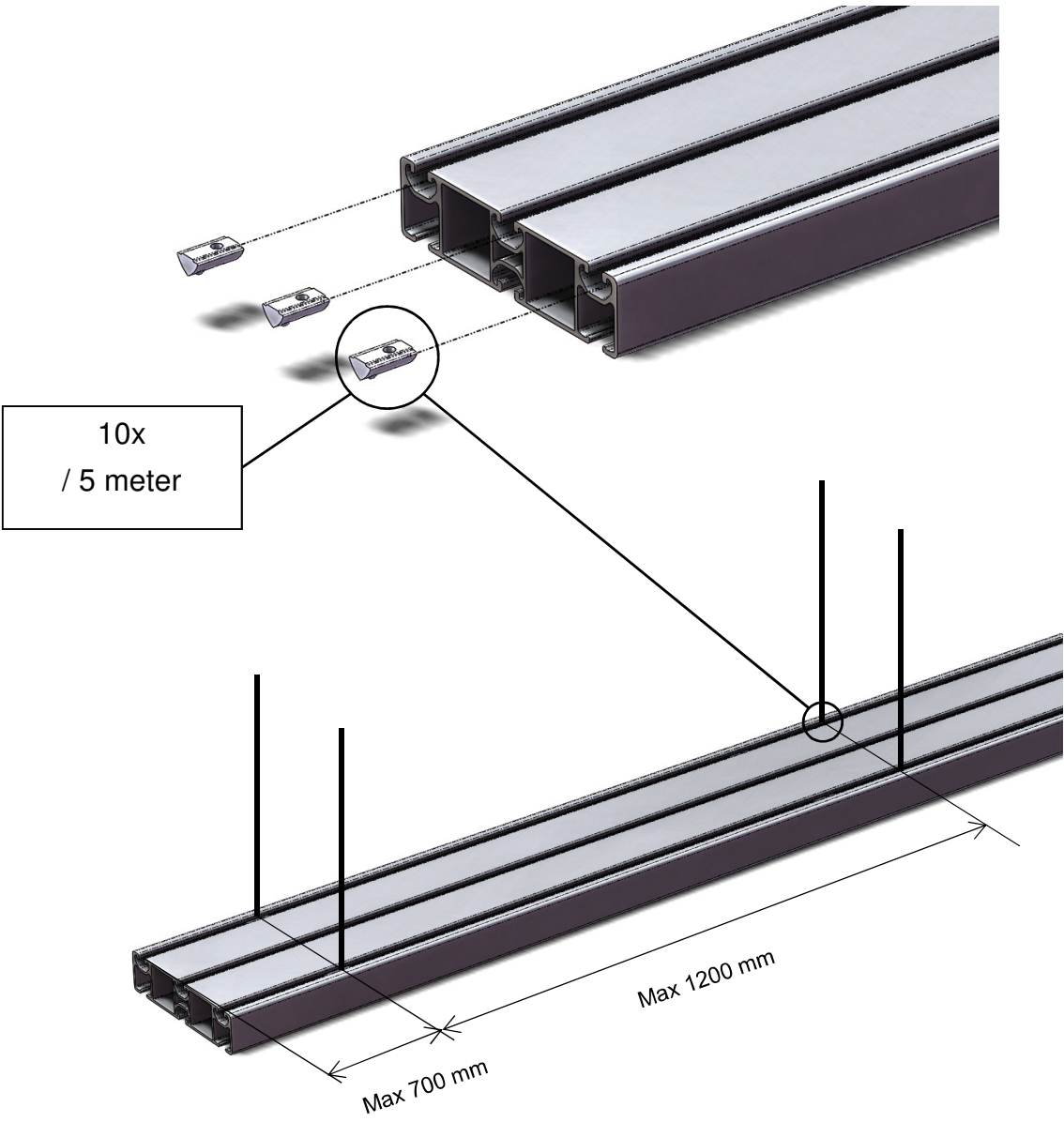


d

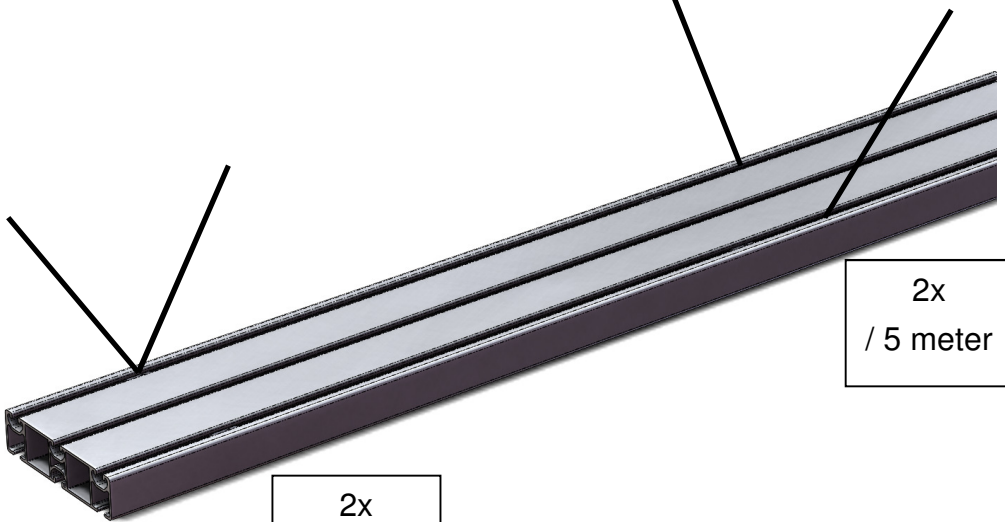
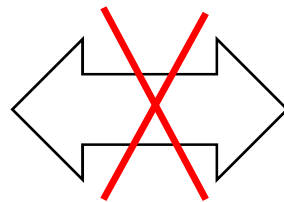
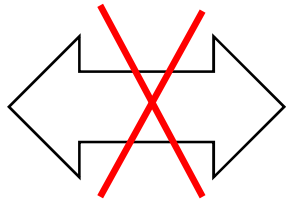
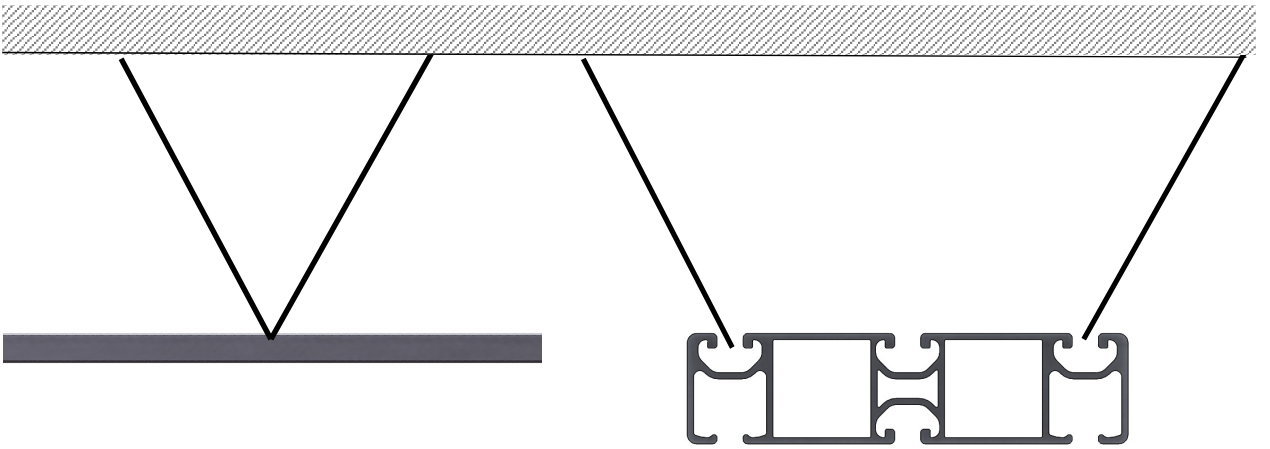
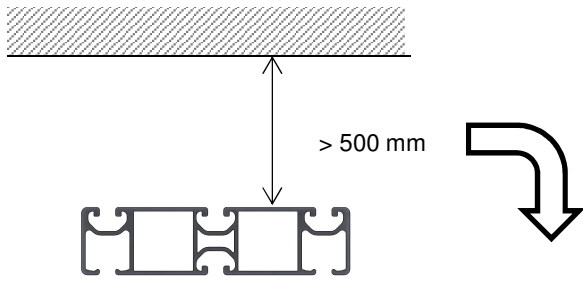


e

2



3



2x
/ 5 meter

2x
/ 5 meter

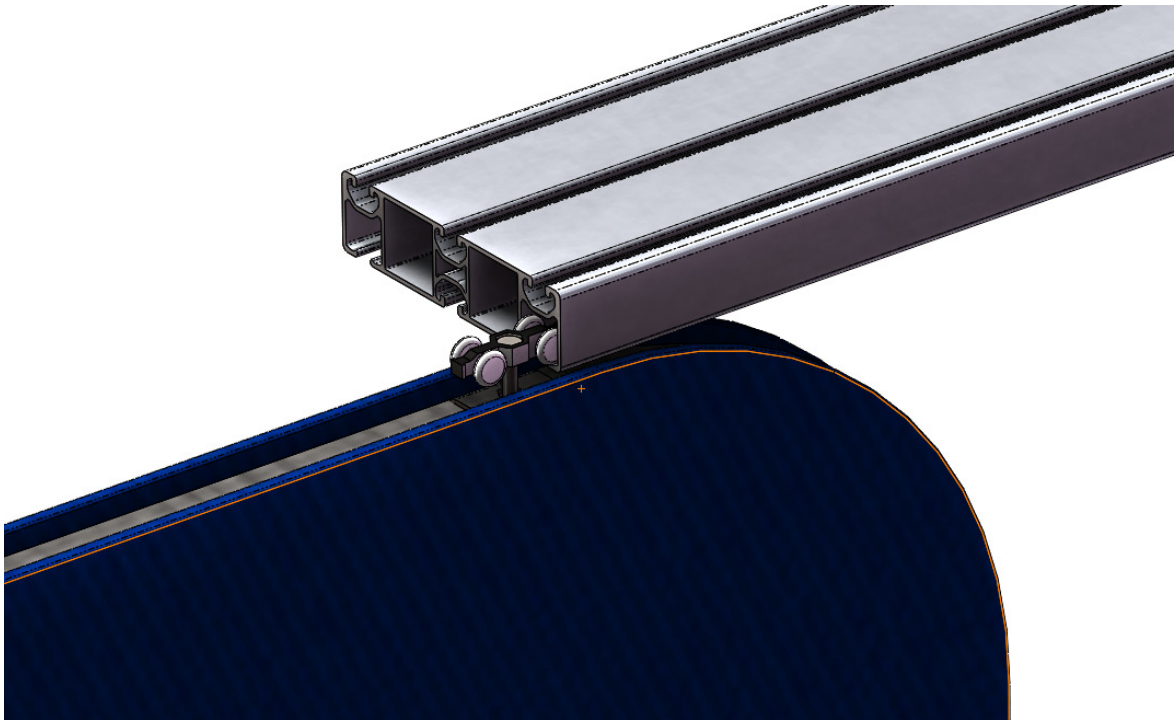
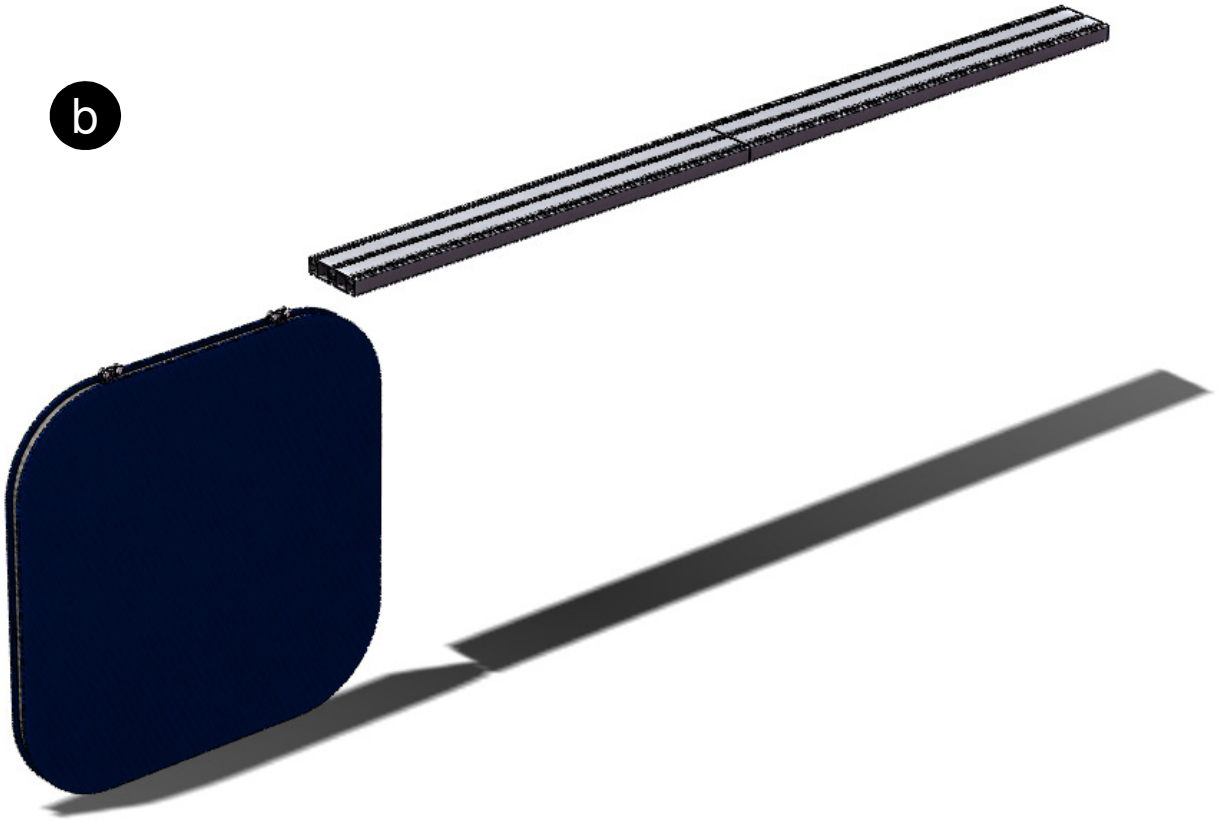
4

a



4

b



5

