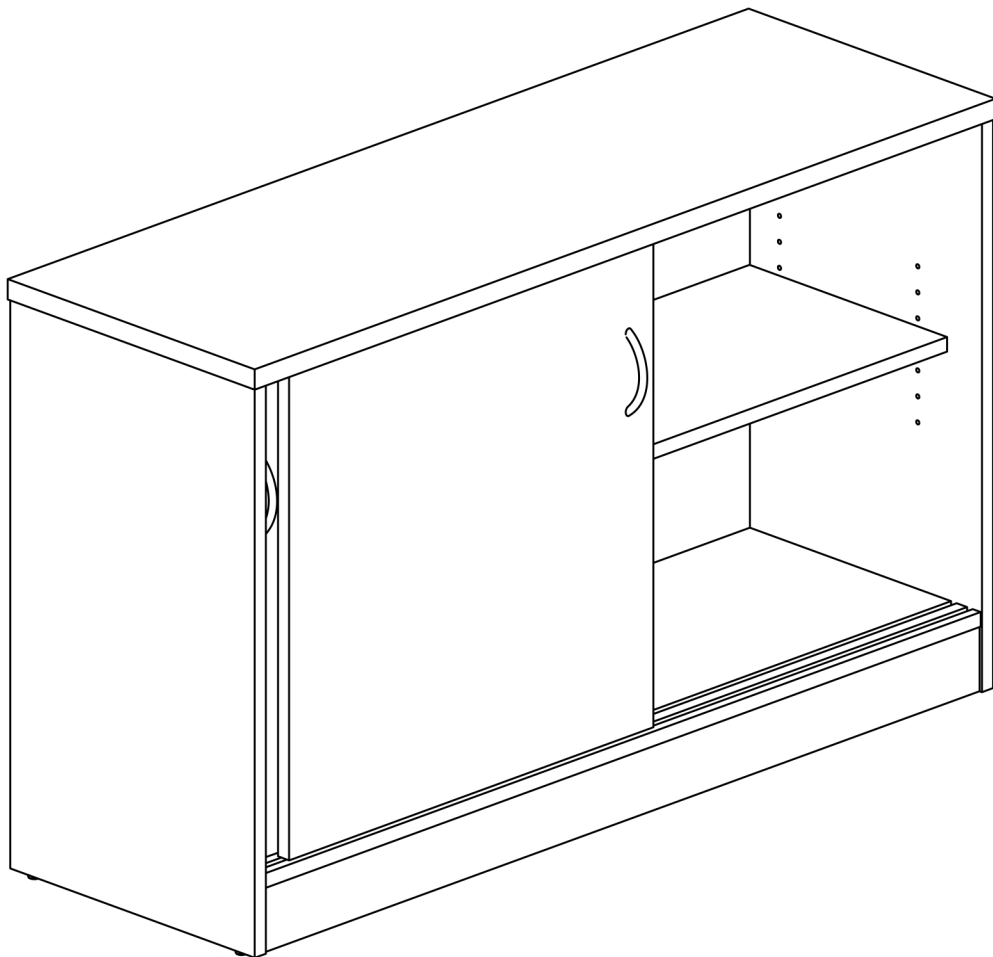
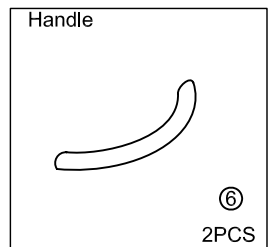
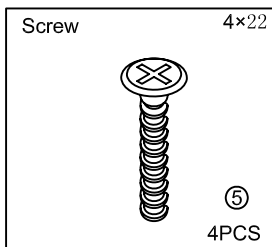
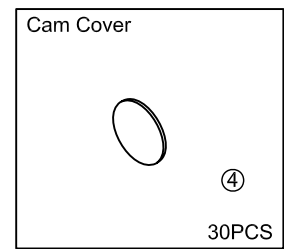
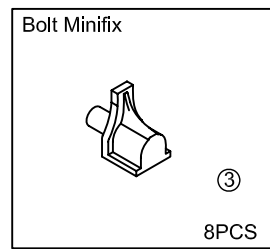
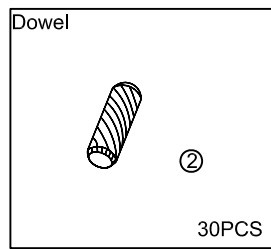
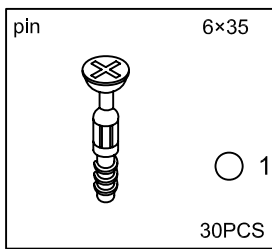
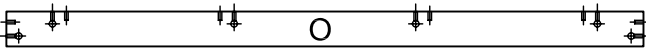
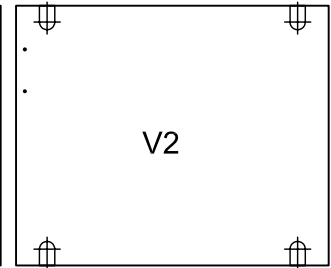
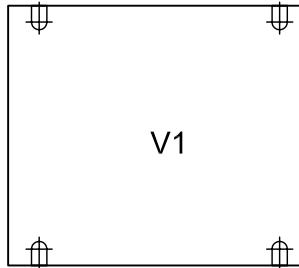
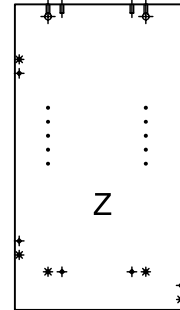
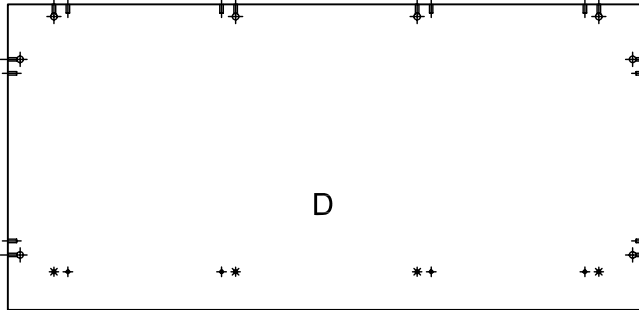
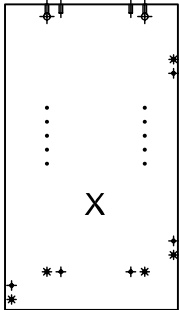
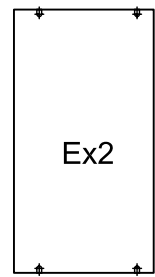
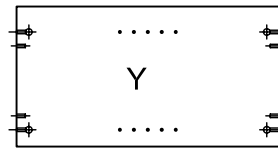
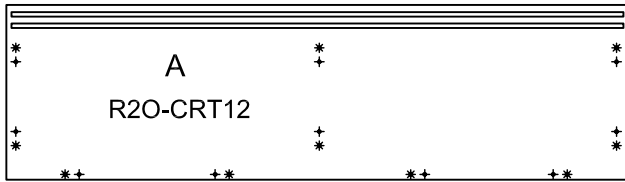


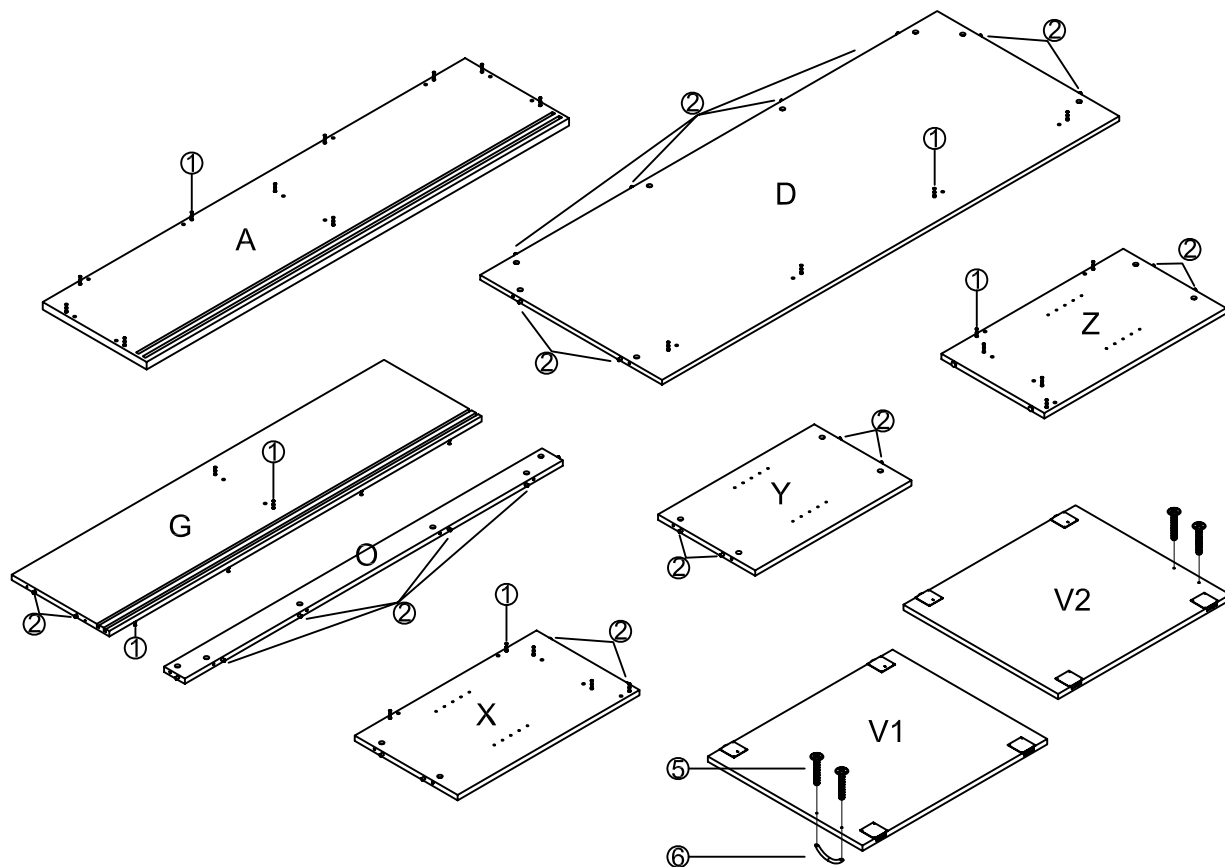
READY2GO

**ASSEMBLY INSTRUCTIONS  
CREDENZA 1200W  
R2O-CR12**

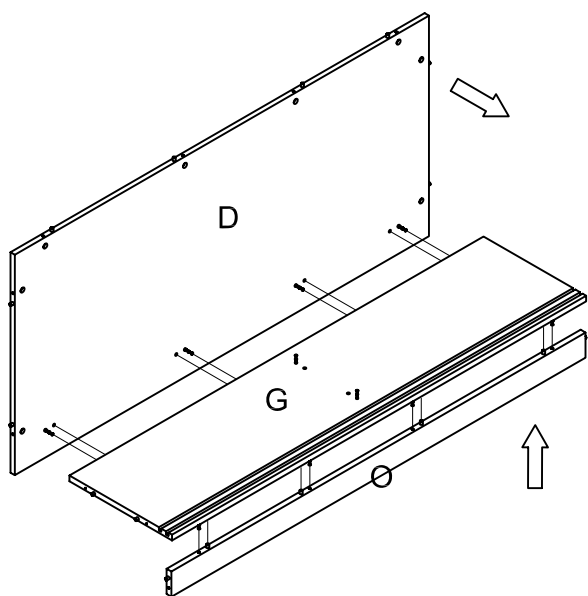




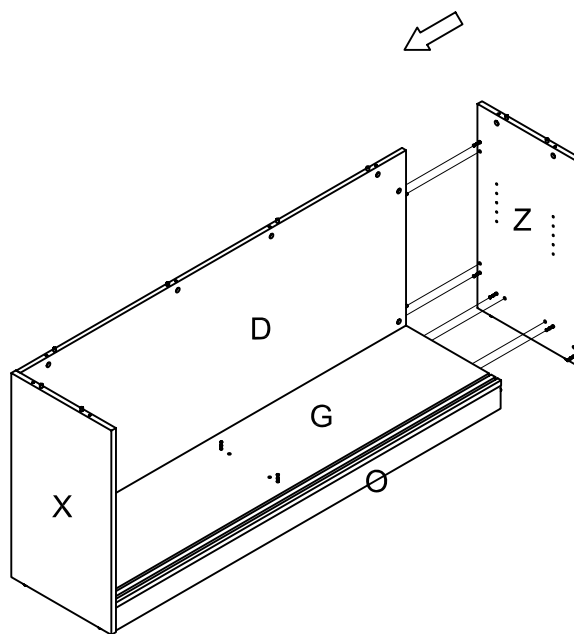
1



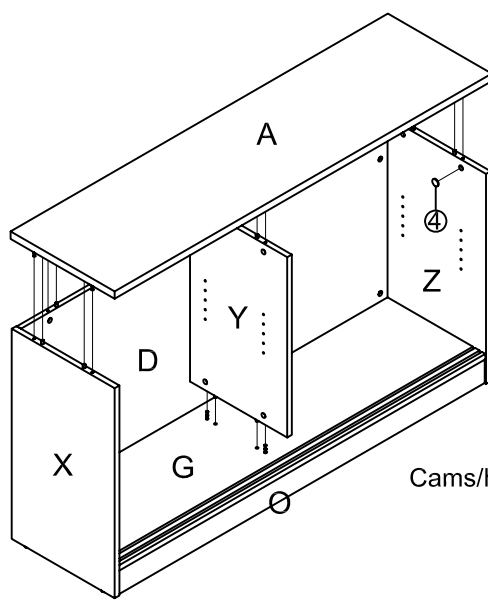
2



3

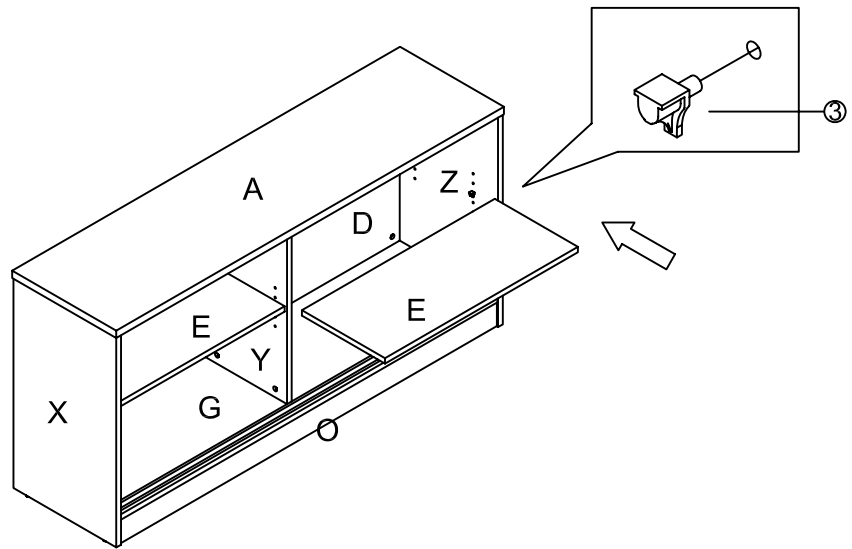


4

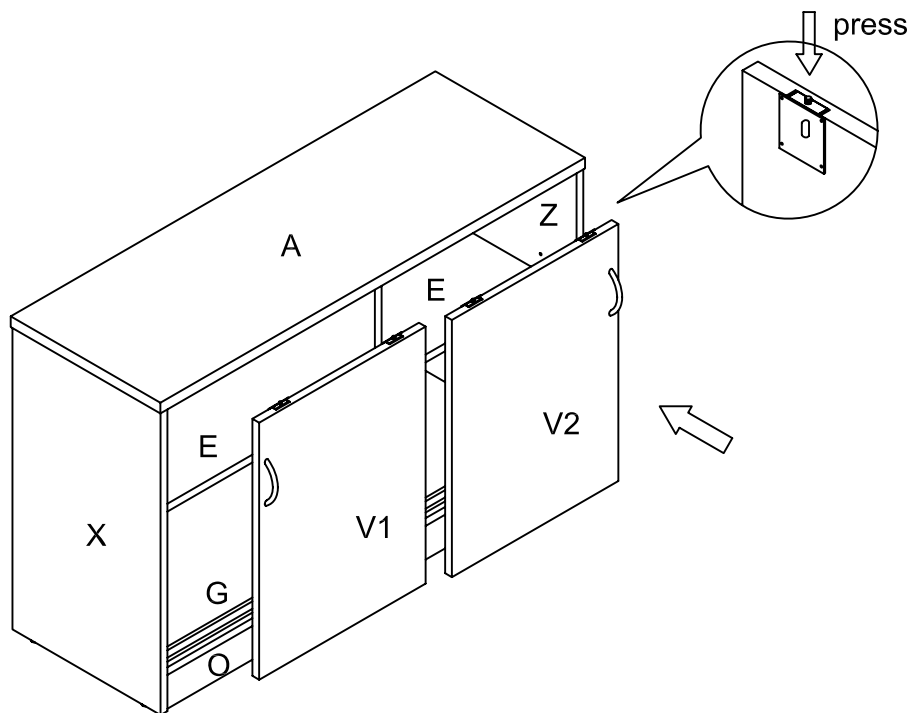


Cams/holes on the panel Y to face to panel X.

5

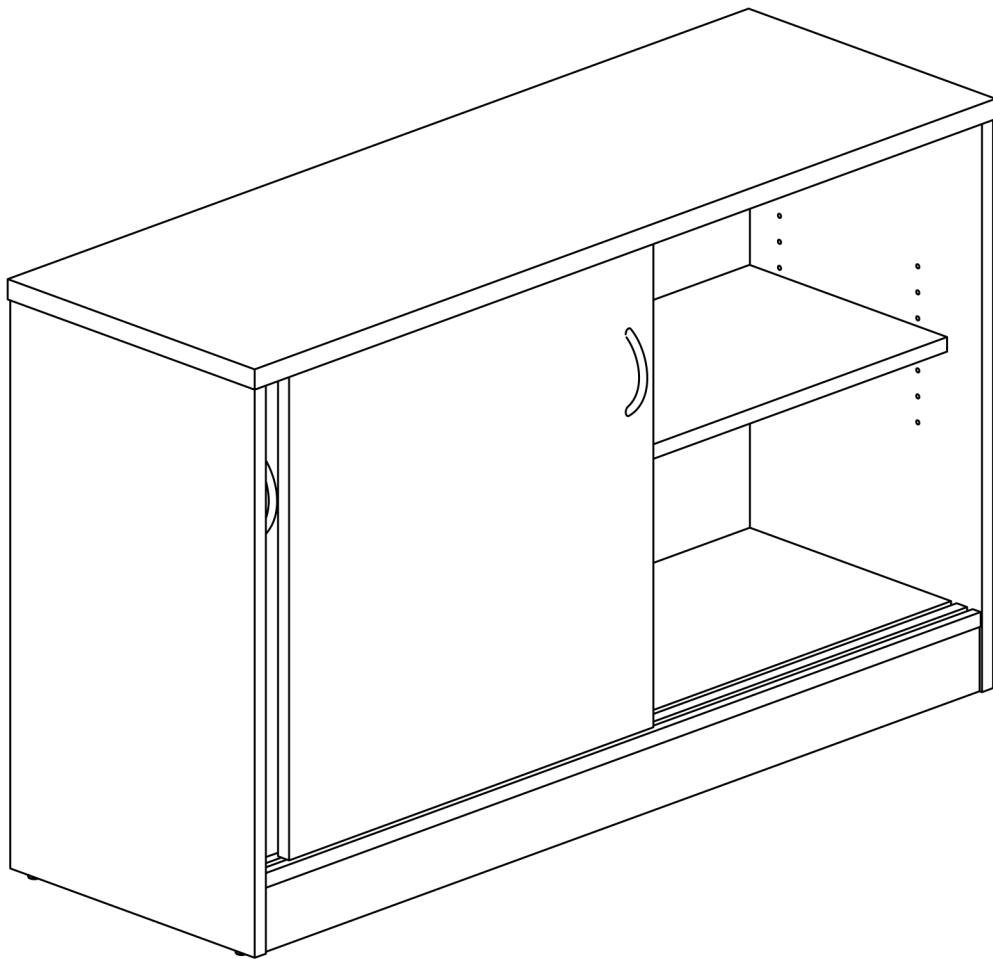


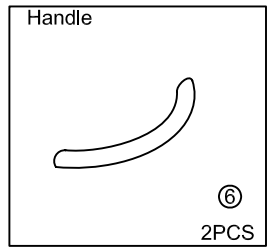
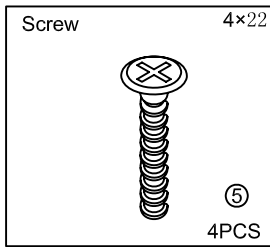
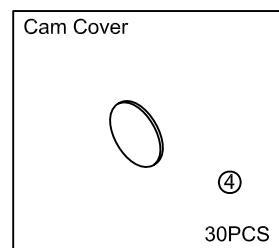
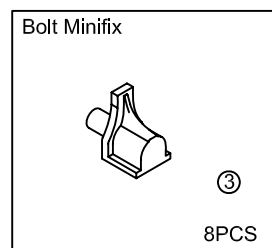
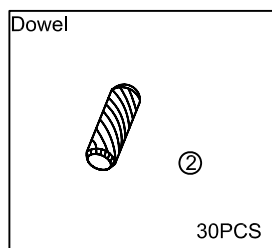
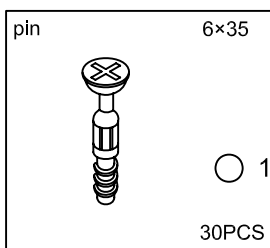
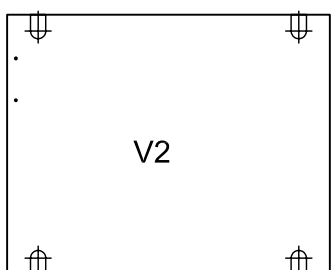
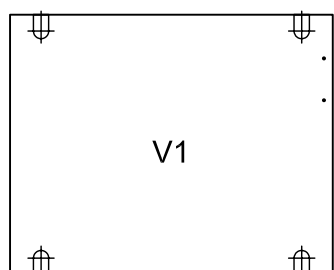
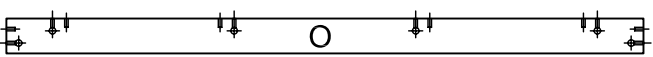
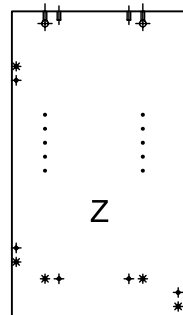
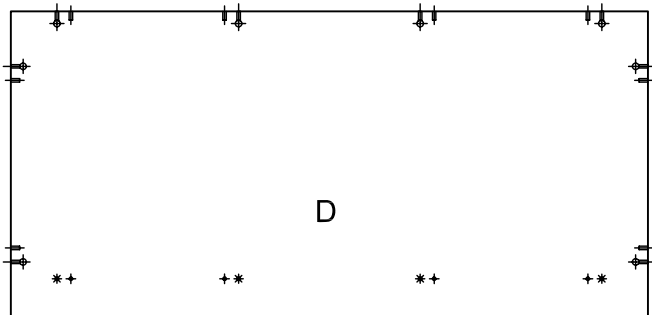
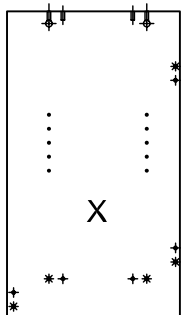
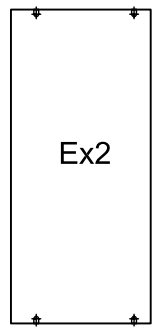
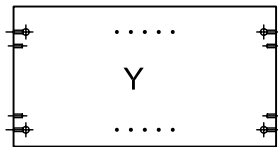
6



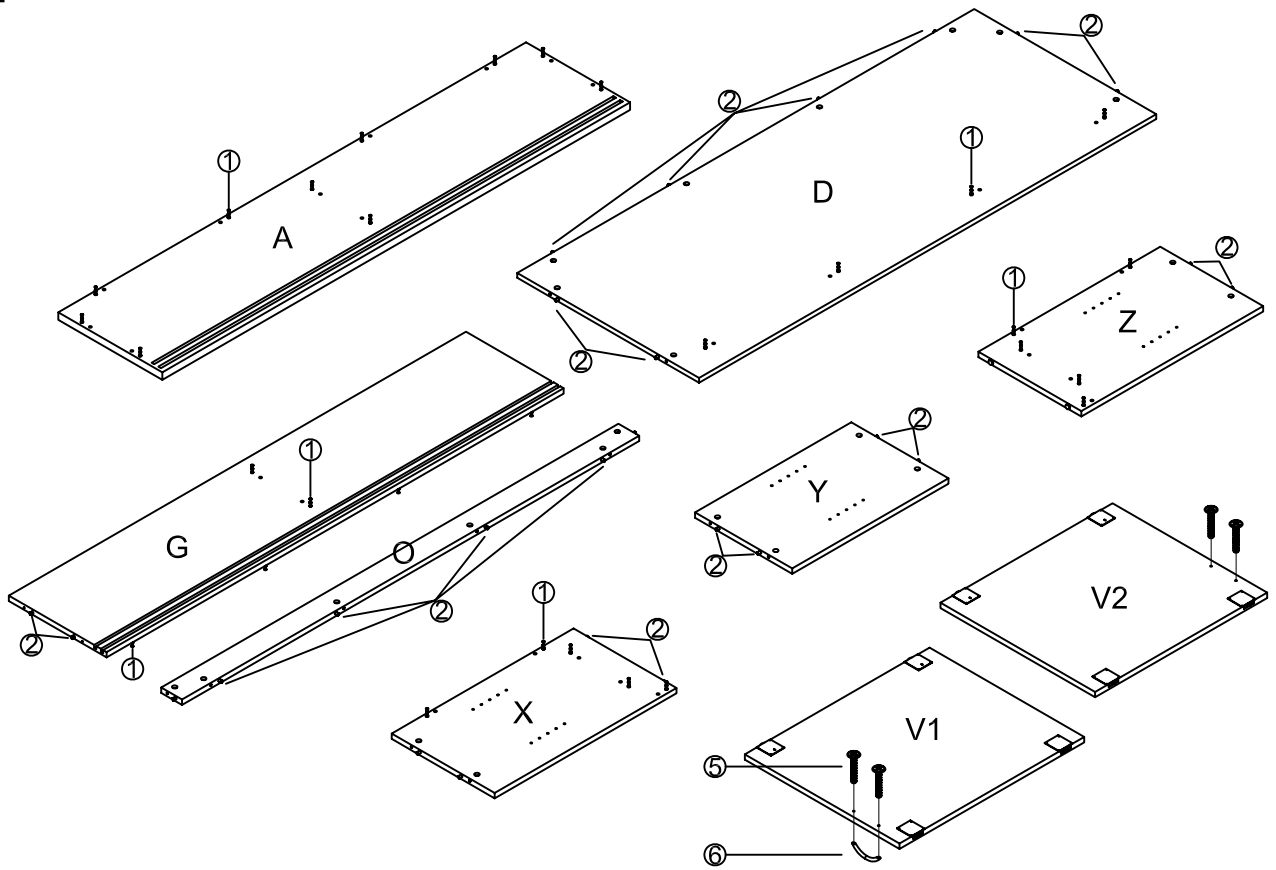
READY2GO

**ASSEMBLY INSTRUCTIONS  
CREDENZA 1500W  
R20-CR15**

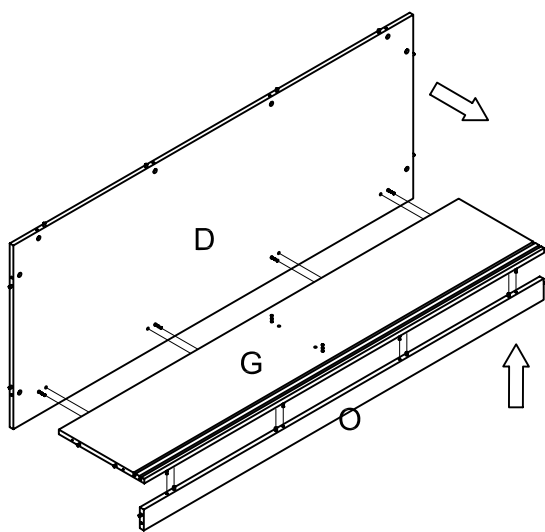




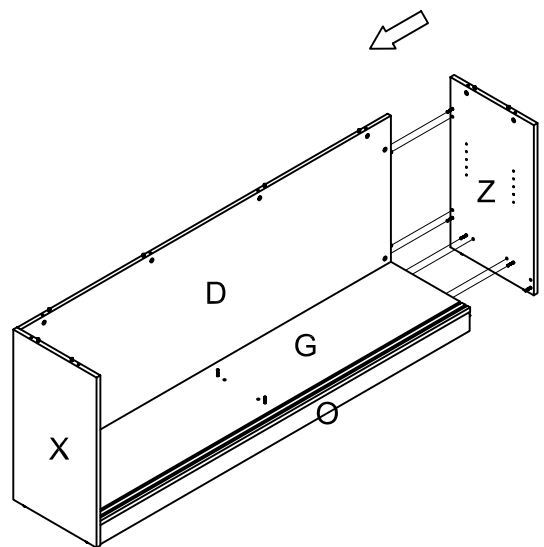
1



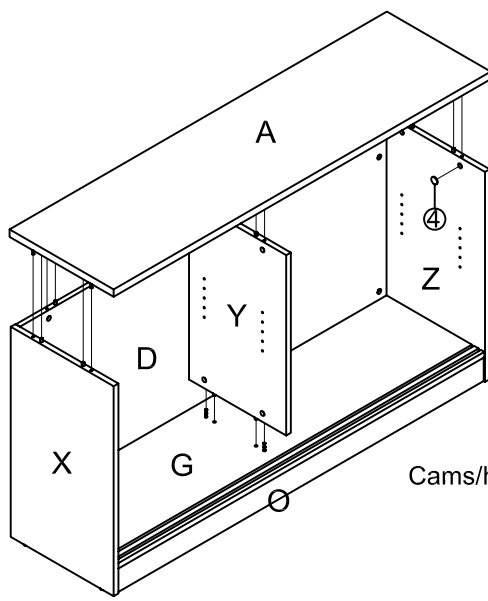
2



3

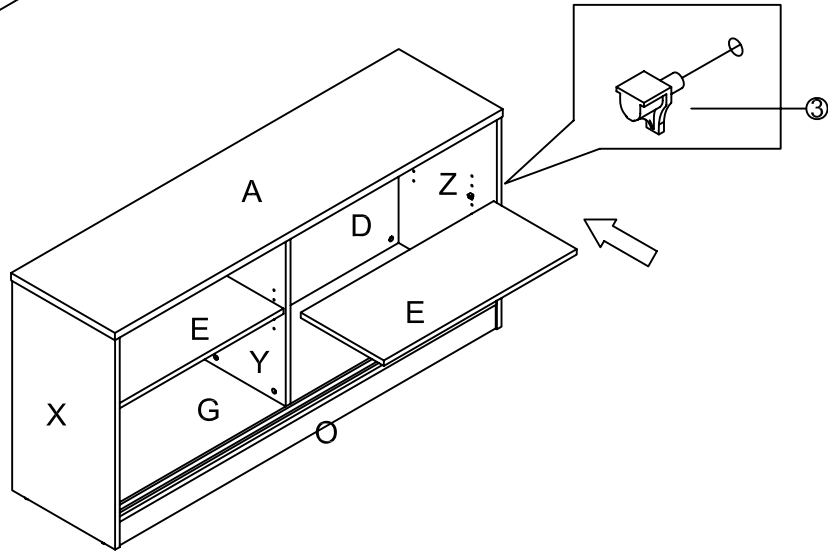


4

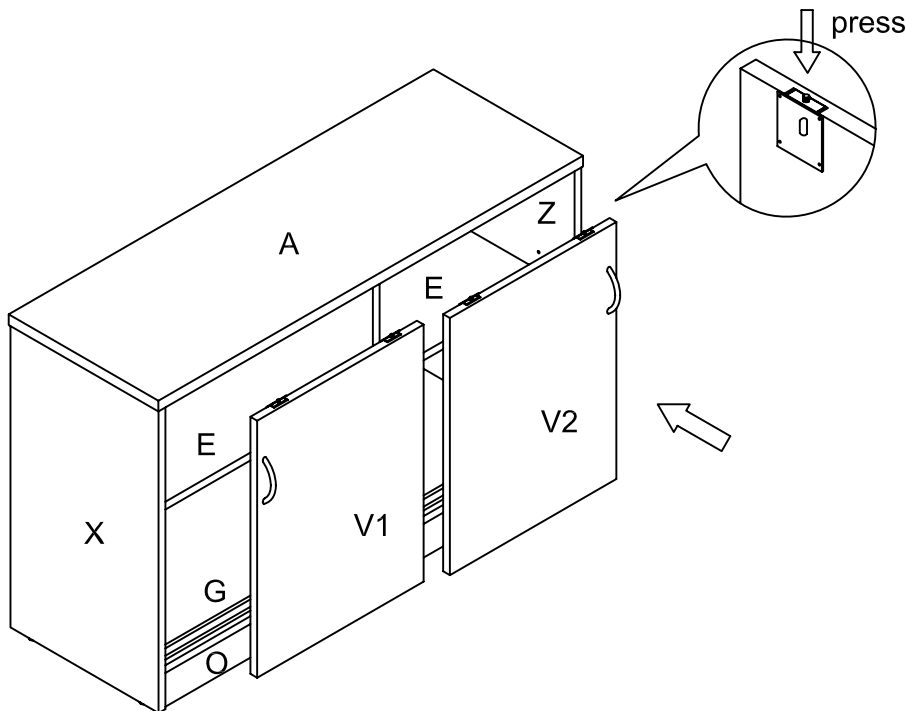


Cams/holes on the panel Y to face to panel X.

5



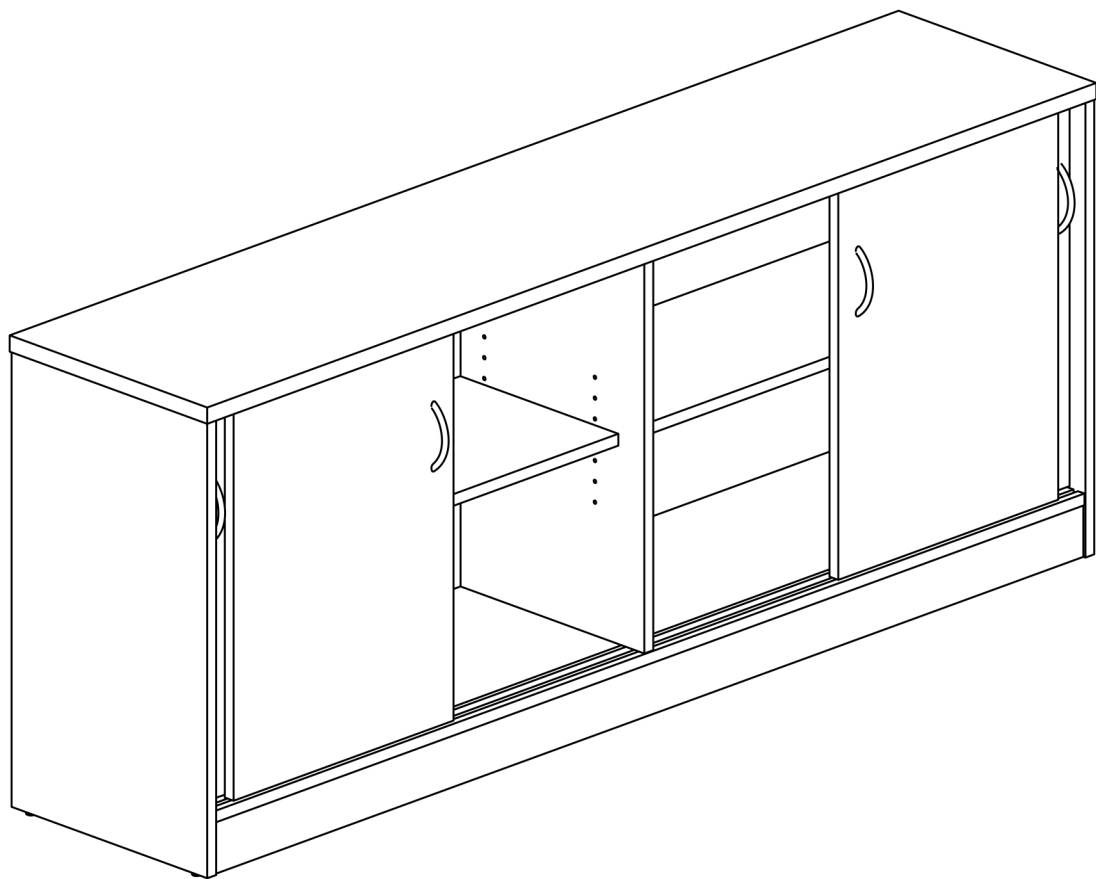
6

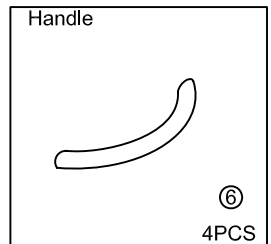
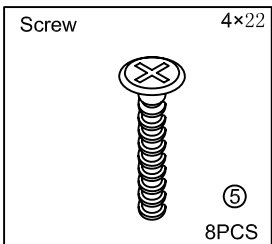
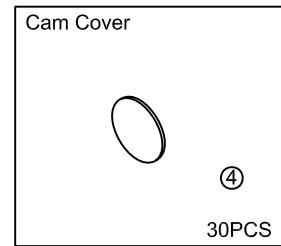
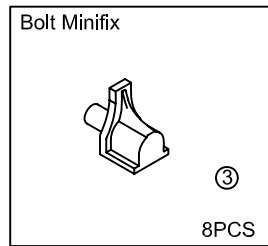
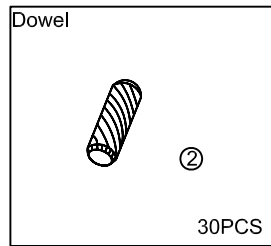
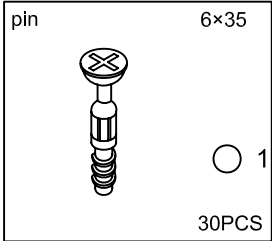
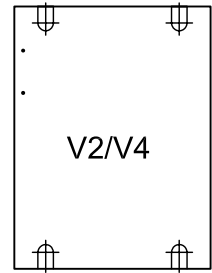
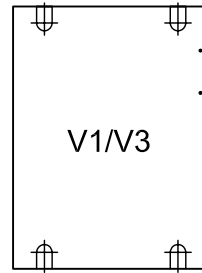
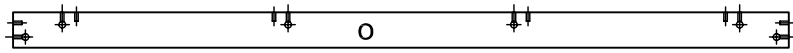
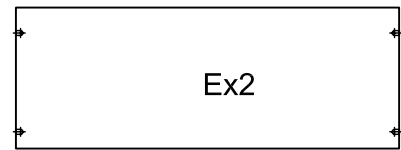
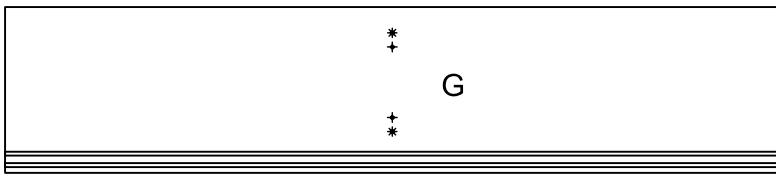
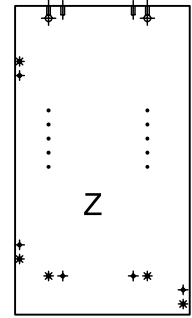
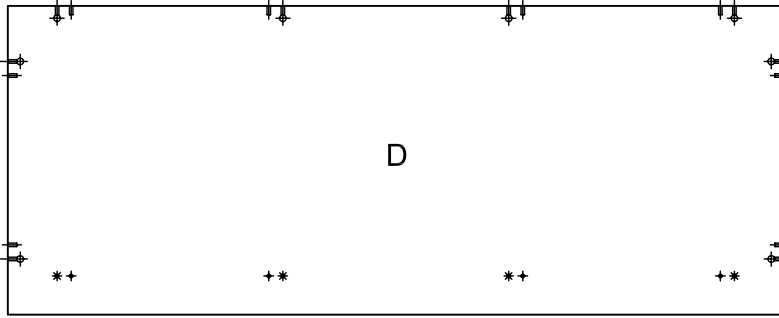
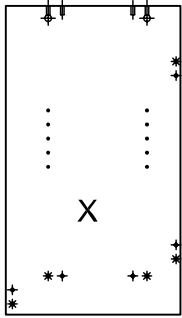
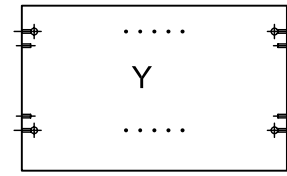
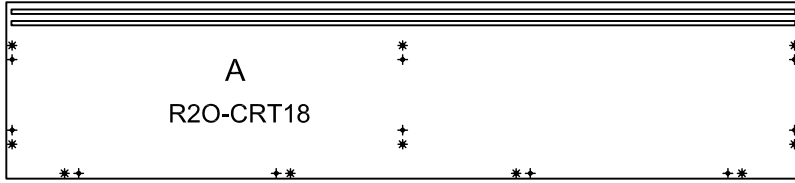




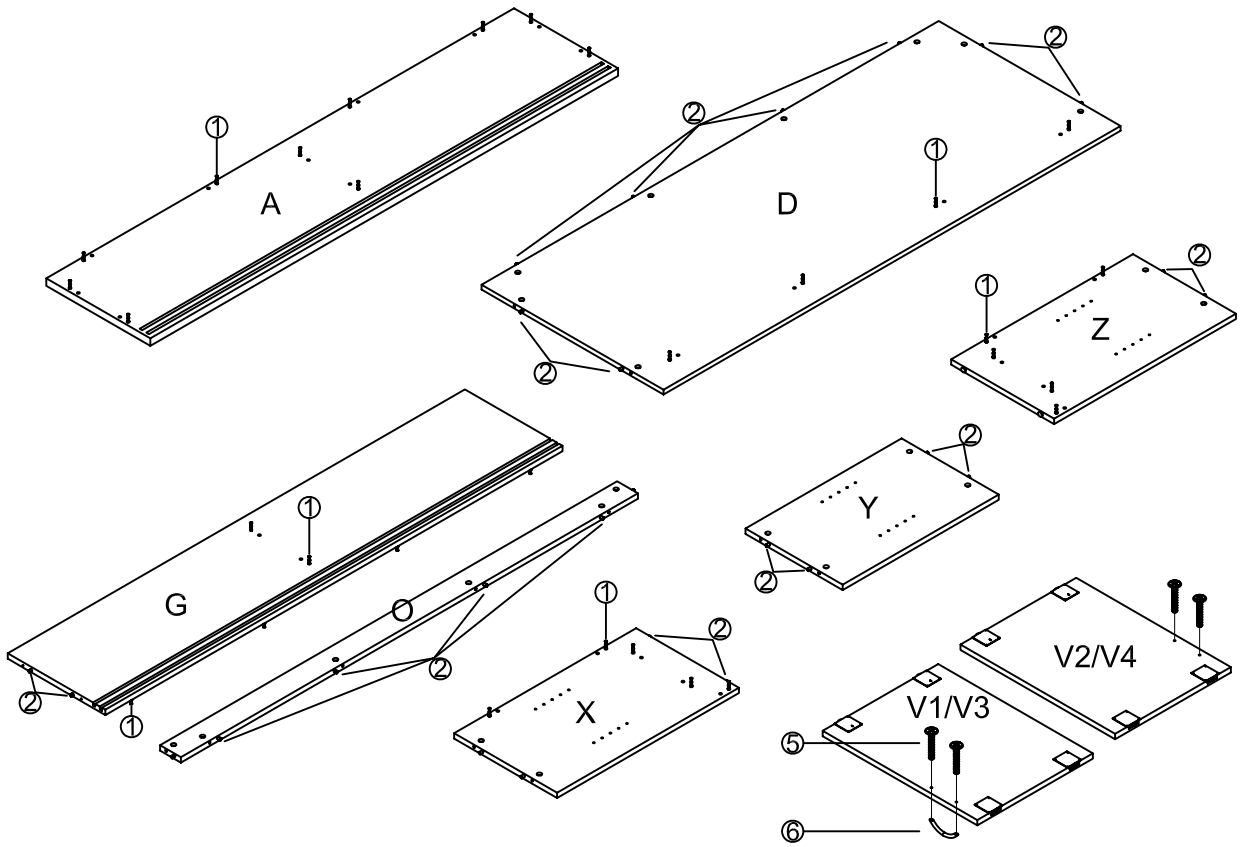
READY2GO

**ASSEMBLY INSTRUCTIONS**  
**CREDENZA 1800W**  
**R20-CR18**

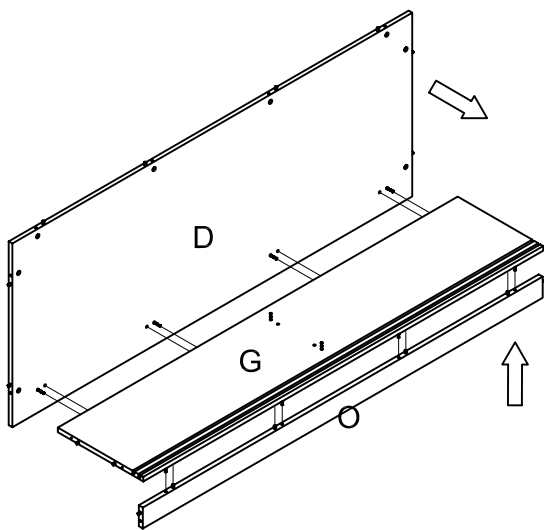




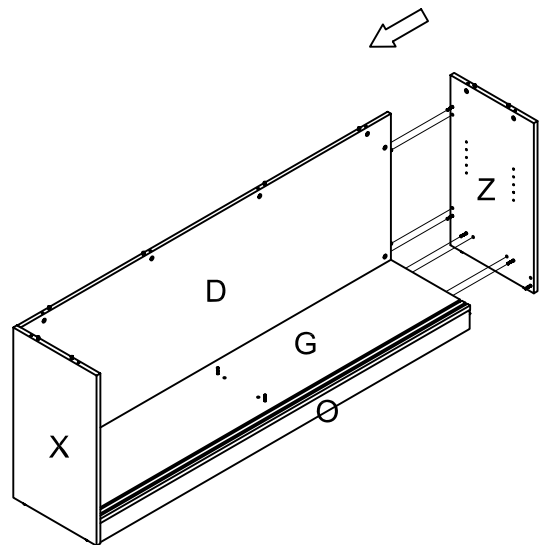
1



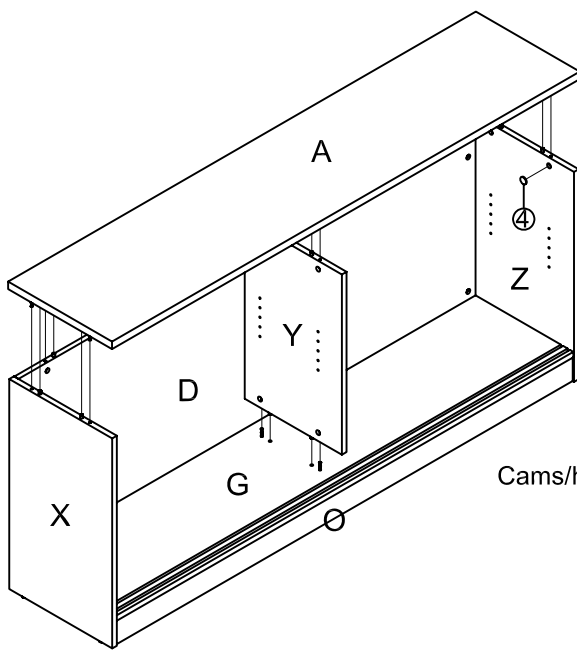
2



3

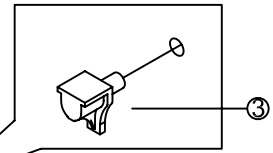
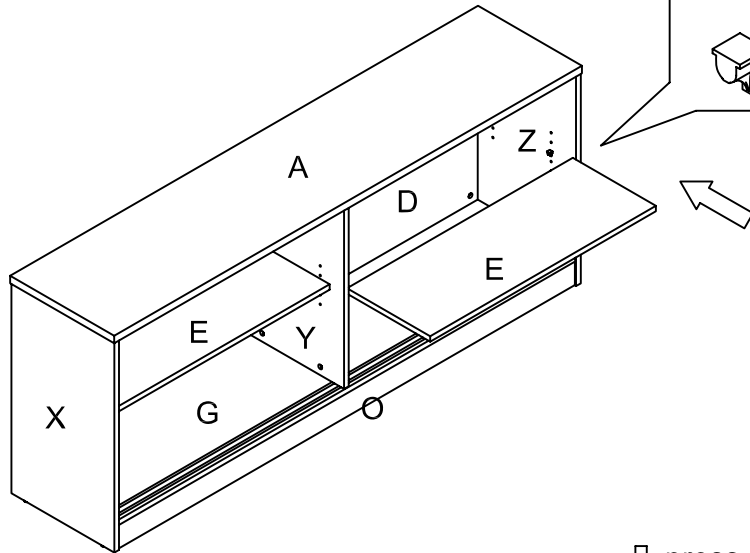


4

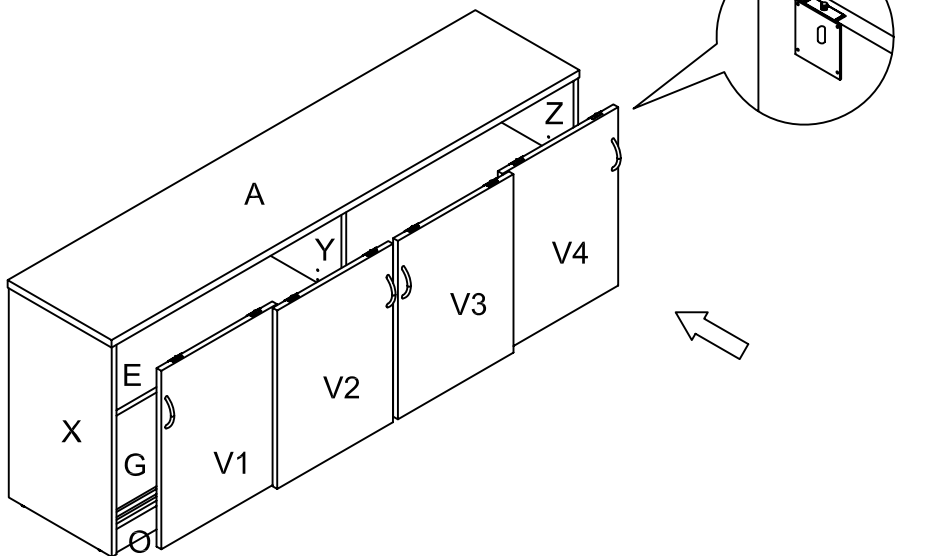


Cams/holes on the panel Y to face to panel X.

5



6



press