



Cup

Cup is a collection of stand-alone, communal booth seats. Capable of seating up to six people, it is ideal for outdoors or office breakout areas. With its flowing form and availability in either a low or high backrest for privacy, Cup is a perfect dining or co-working meeting point.

Cup



Product Details

Design

Alexander Lotersztain

Category

Seating

Environment

Indoor / Outdoor

Materials

Seat: LDPE plastic
 Table top: HDPE plastic or
 American oak veneer
 Table base: Powder coated mild steel

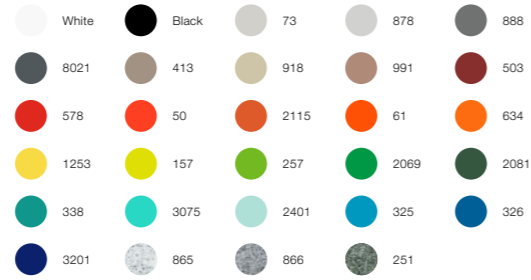
Optional Add-ons

Floor fixing brackets
 Water fill port
 Fire-retardant plastic

Notes

HDPE plastic table top
 recommended for outdoor use.

LDPE Plastic



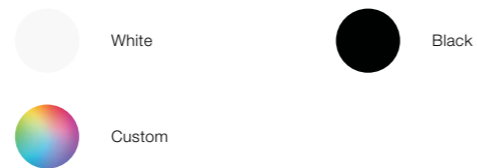
HDPE Plastic



American Oak Veneer

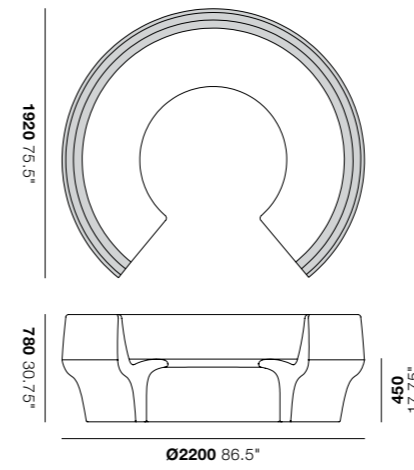


Powder Coat

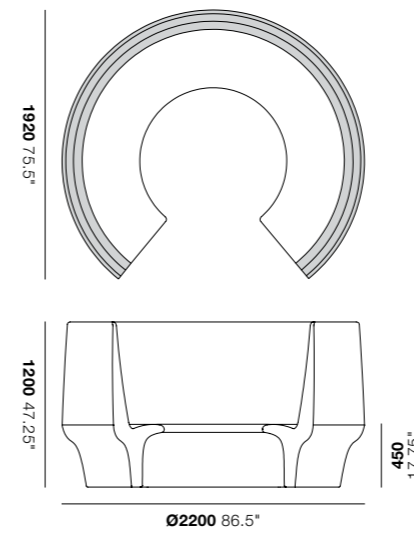


Seat

CUP-01



CUP-02



Table

CUP-03

