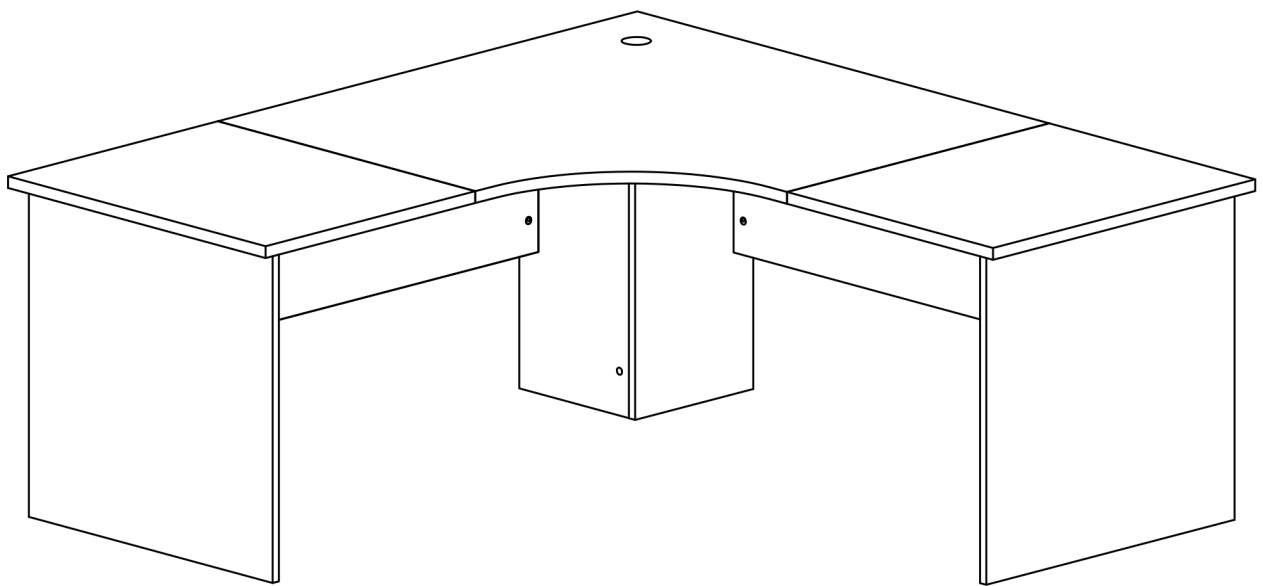



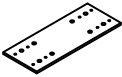




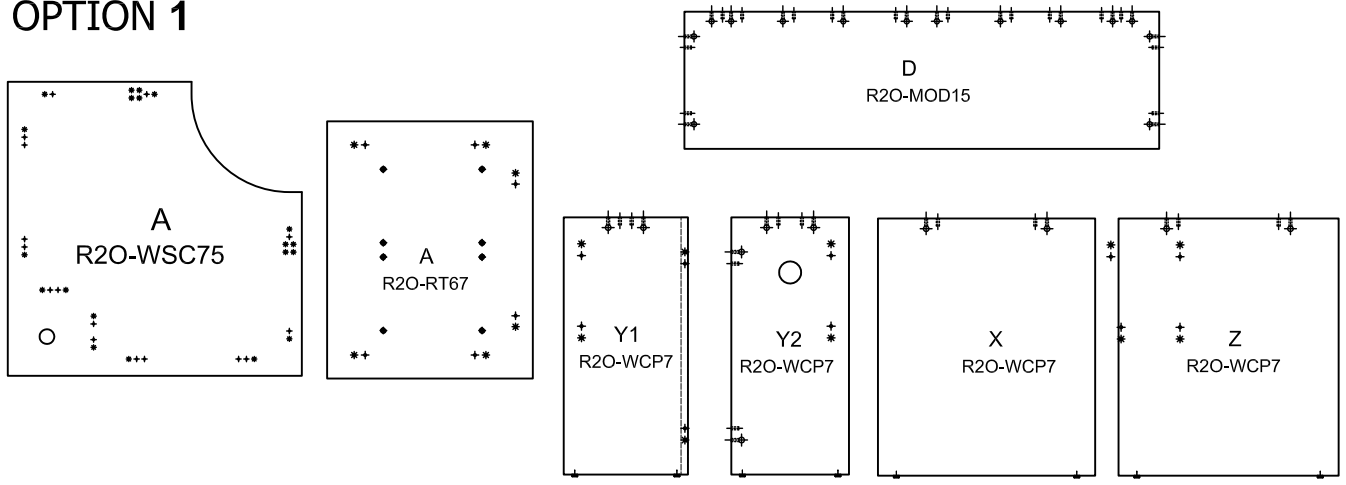
READY2GO

**ASSEMBLY INSTRUCTIONS
WORKSTATIONS
R20-WS**

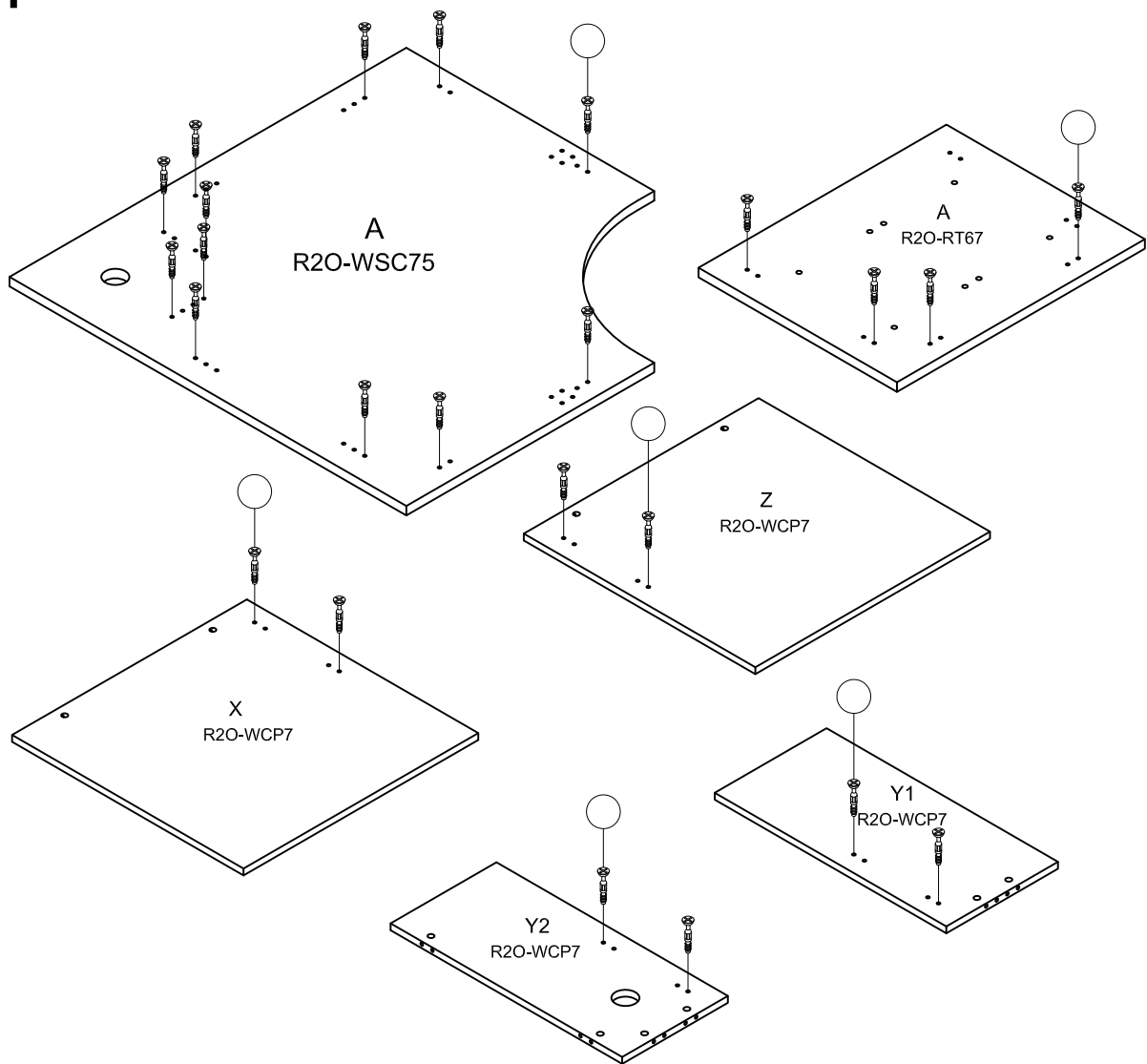


pin  6×35 ① 30PCS	Dowel  8×30 ② 30PCS	Cam Cover  ③ 42PCS	CONNECTOR  ④ 2PCS	SCREW  6×12 ⑤ 8PCS	SCREW  4×16 ⑥ 8PCS
--	--	--	---	---	---

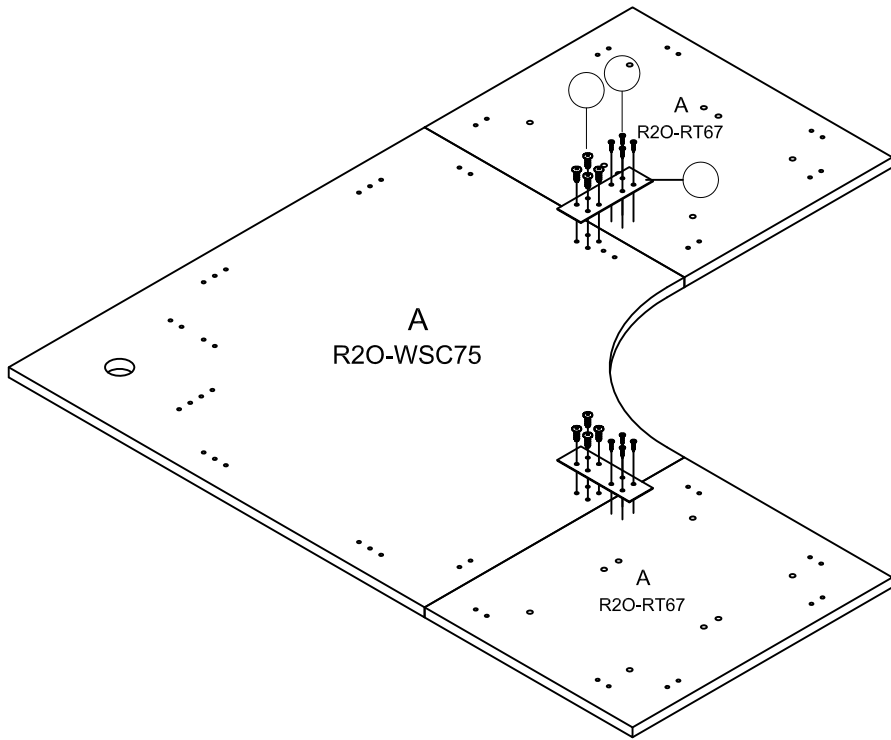
OPTION 1



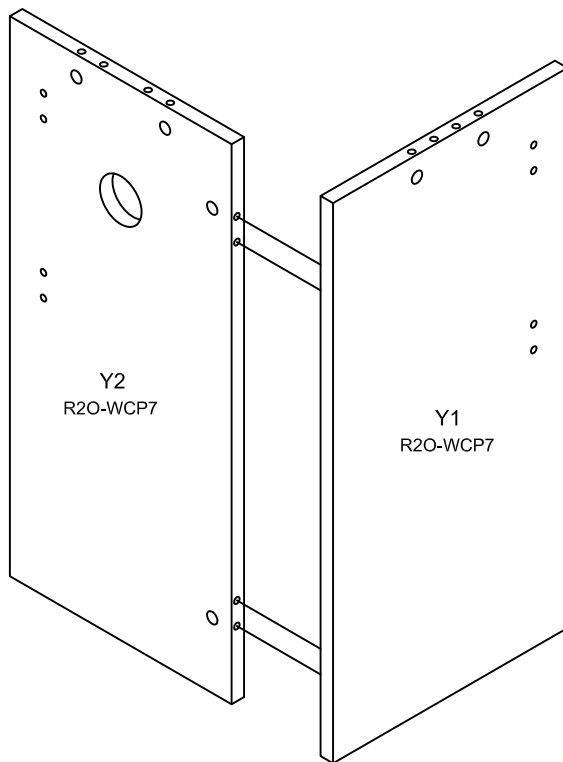
1



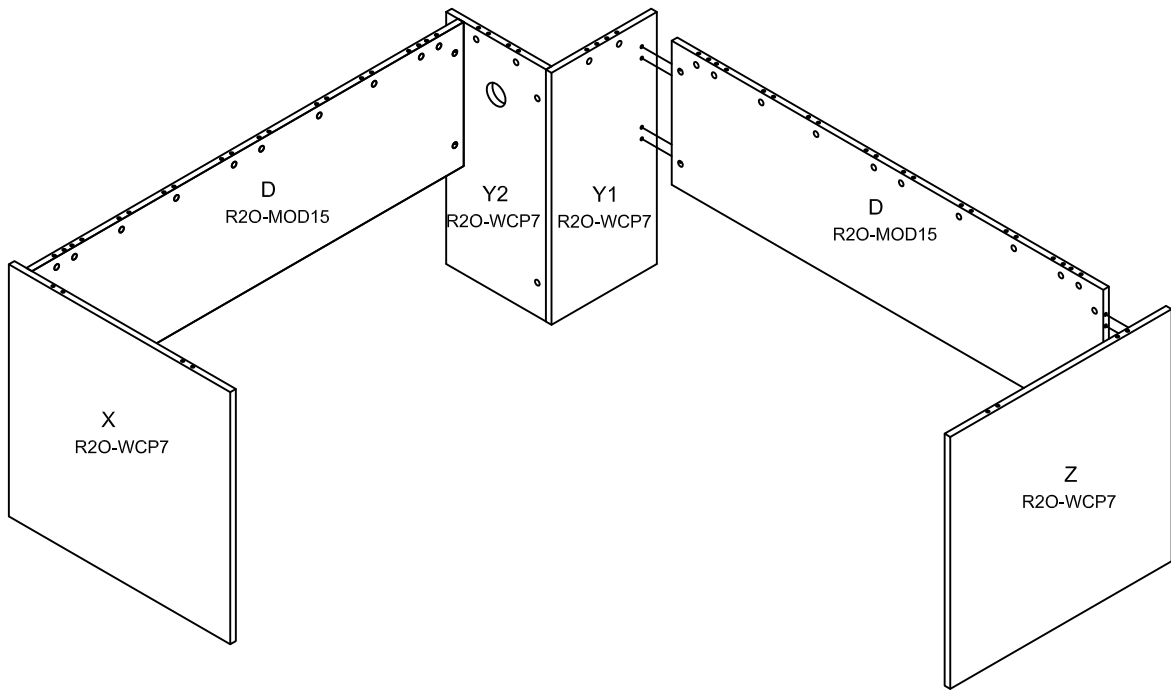
1



2



3



4

