

# TRANSIT

—By Alegre Design—

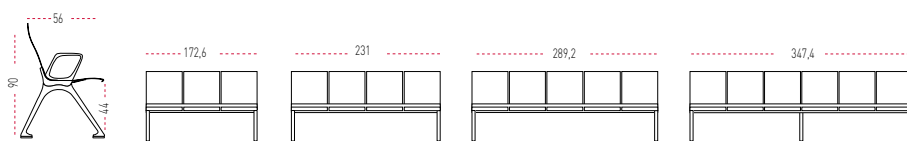




■ **DESCRIPTION**

- ① **PU seat and backrest** 20 mm thickness in back and 25 mm thickness in seat; Moulded over Steel plate 3 mm thickness Available in different finishes
- ② Seat and backrest joined by an extruded aluminium **central beam**. Silver and white finishes
- ③ Moulded aluminium **trims** available in silver or white finish
- ④ Optional moulded aluminium **Arms** available in silver, white or polished aluminium
- ⑤ **Lower Beam** in extruded aluminium
- ⑥ **Moulded aluminium feet**, silver epoxy finish, 90 micron. Available in silver, white or polished finish. Ready to be fixed to the floor Black polypropylene **(P.P)** caps to avoid sliding when sitting in the bench
- ⑦ **Optional** 13 mm compact laminate table. Available in black or white 500 x 300 mm

■ **SIZES**

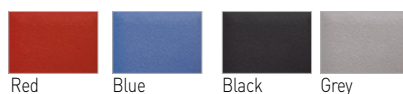


individual seats - high backrest

■ **SIZES**

Total height: from 1726 to 3474 mm  
 Total width: 800 or 900 mm  
 Seat height: from 440 mm

■ **BACK AND SEAT (finishes)**



Red Blue Black Grey

(see finishes and fabric card)



**MATERIALS**

Maximum use of materials to eliminate and minimize scraps. Use of recyclable and recycled materials in those components that do not affect the functionality and durability.

**31,37%**  
RECYCLED  
MATERIALS



**PRODUCTION**

Maximum optimization of energy use. Minimal environmental impact. Last generation technological systems. Zero discharge of wastewater. No VOC coatings. Processes free of heavy metals, phosphates, OC and COD.

**100%**  
RECYCLABLE  
ALUMINIUM, STEEL  
& WOOD



**TRANSPORT**

Detachable systems. Volumes that facilitate the optimization of space. Maximum reduction of energy consumption by transport.

**100%**  
RECYCLABLE  
PACKAGE AND THINNER  
FREE



**USE**

Quality and warranty. Long lasting. Replacements available.

**EASY**  
TO CLEAN  
AND MAINTAIN



**DISPOSAL**

Waste reduction. Supplier-manufacturer packaging reuse system. Components are easy to be separated. Inks in packaging are water-based, without solvents.

**99,83%**  
RECYCLABLE  
MATERIALS

**■ CERTIFICATES AND REFERENCES**

The different programmes get points in different environmental categories to get the LEED certificate (sustainability, material and resources, water, energy and atmosphere, inner environment quality, innovation and design).

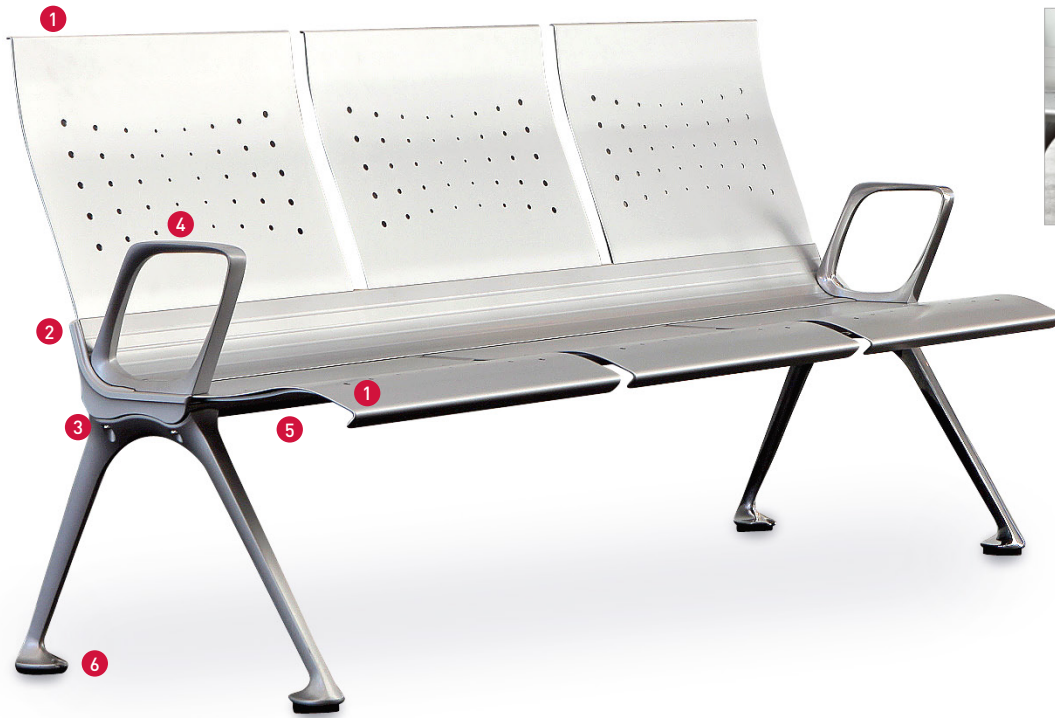


**■ STANDARDS**

TRANSIT has passed tests done in our technical department as well as the tests done in AIDIMA the Technological Institute for furniture. The tests correspond to:

**Contract seating: Essay level 2. Standard to be applied:**

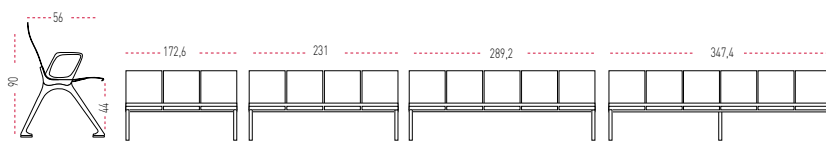
- UNE-EN 15373:07. Furniture. Resistance, long lasting, security. Requirements for non domestic use seating.
- UNE-EN 1728:2001. Domestic furniture - Seating - Test methods for the determination of strength and durability.



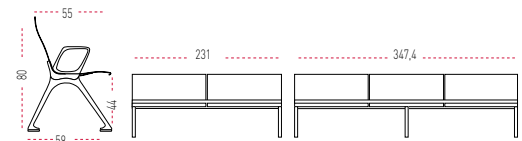
■ **DESCRIPTION**

- ① 3 mm steel **seats and backs** available in different finishes
- ② Seat and backrest joined by an extruded aluminium **central beam**. Silver and white finishes
- ③ Moulded aluminium **trims** available in silver or white finish
- ④ Optional moulded aluminium **Arms** available in silver, white or polished aluminium
- ⑤ **Lower Beam** in extruded aluminium
- ⑥ **Moulded aluminium feet**, silver epoxy finish, 90 micron. Available in silver, white or polished finish. Ready to be fixed to the floor  
Black polypropylene (P.P) caps to avoid sliding when sitting in the bench
- ⑦ **Optional** 13 mm compact laminate table. Available in black or white 500 x 300 mm

■ **SIZES**



individual seats - high backrest



Two large seats - low backrest

■ **SIZES**

Total height: from 1726 to 3474 mm  
 Total width: 800 or 900 mm  
 Seat height: from 440 mm

■ **BACK AND SEAT (finsihes)**



(see finishes and fabric card)



**MATERIALS**

Maximum use of materials to eliminate and minimize scraps. Use of recyclable and recycled materials in those components that do not affect the functionality and durability.

**31,37%**  
RECYCLED  
MATERIALS



**PRODUCTION**

Maximum optimization of energy use. Minimal environmental impact. Last generation technological systems. Zero discharge of wastewater. No VOC coatings. Processes free of heavy metals, phosphates, OC and COD.

**100%**  
RECYCLABLE  
ALUMINIUM, STEEL  
& WOOD



**TRANSPORT**

Detachable systems. Volumes that facilitate the optimization of space. Maximum reduction of energy consumption by transport.

**100%**  
RECYCLABLE  
PACKAGE AND THINNER  
FREE



**USE**

Quality and warranty. Long lasting. Replacements available.

**EASY**  
TO CLEAN  
AND MAINTAIN



**DISPOSAL**

Waste reduction. Supplier-manufacturer packaging reuse system. Components are easy to be separated. Inks in packaging are water-based, without solvents.

**99,83%**  
RECYCLABLE  
MATERIALS

■ **CERTIFICATES AND REFERENCES**

The different programmes get points in different environmental categories to get the LEED certificate (sustainability, material and resources, water, energy and atmosphere, inner environment quality, innovation and design).



The mark of responsible forestry



PEFC Certificate



EN ISO 14006:2011  
ECODESIGN Certificate



UNE-EN ISO 9001:2008  
ISO 9001 Certificate



UNE-EN ISO 14001:2004  
ISO 14001 Certificate



E1 Certificate  
by EN 13986



PARQUE TECNOLÓGICO ACTIU  
proyecto certificado LEED® GOLD  
por el U.S. Green Building Council en 2011  
Leadership in Energy & Environmental Design

■ **STANDARDS**

TRANSIT has passed tests done in our technical department as well as the tests done in AIDIMA the Technological Institute for furniture. The tests correspond to:

**Contract seating: Essay level 2. Standard to be applied:**

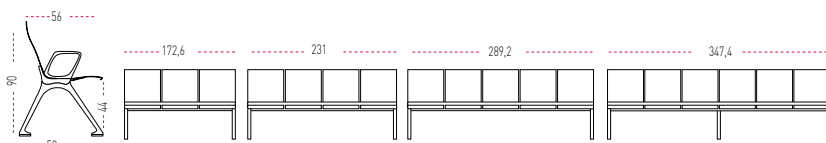
- UNE-EN 15373:07. Furniture. Resistance, long lasting, security. Requirements for non domestic use seating.
- UNE-EN 1728:2001. Domestic furniture - Seating - Test methods for the determination of strength and durability.



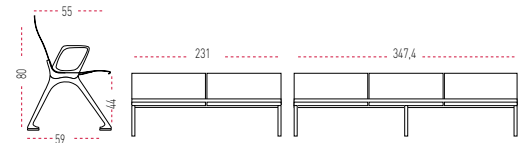
■ **DESCRIPTION**

- ① 13,53 mm Plywood **seats and backs** available in different finishes: natural beech, natural oak or wengue
- ② Seat and backrest joined by an extruded aluminium **central beam**. Silver and white finishes
- ③ Moulded aluminium **trims** available in silver or white finish
- ④ Optional moulded aluminium **Arms** available in silver, white or polished aluminium
- ⑤ **Lower Beam** in extruded aluminium
- ⑥ **Moulded aluminium feet**, silver epoxy finish, 90 micron. Available in silver, white or polished finish. Ready to be fixed to the floor  
Black polypropylene (P.P) caps to avoid sliding when sitting in the bench
- ⑦ **Optional** 13 mm compact laminate table. Available in black or white 500 x 300 mm

■ **SIZES**



individual seats - high backrest

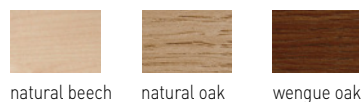


Two large seats - low backrest

■ **SIZES**

Total height: from 1726 to 3474 mm  
 Total width: 800 or 900 mm  
 Seat height: from 440 mm

■ **BACK AND SEAT (finsihes)**



(see finishes and fabric card)



**MATERIALS**

Maximum use of materials to eliminate and minimize scraps. Use of recyclable and recycled materials in those components that do not affect the functionality and durability.

**31,37%**  
RECYCLED  
MATERIALS



**PRODUCTION**

Maximum optimization of energy use. Minimal environmental impact. Last generation technological systems. Zero discharge of wastewater. No VOC coatings. Processes free of heavy metals, phosphates, OC and COD.

**100%**  
RECYCLABLE  
ALUMINIUM, STEEL  
& WOOD



**TRANSPORT**

Detachable systems. Volumes that facilitate the optimization of space. Maximum reduction of energy consumption by transport.

**100%**  
RECYCLABLE  
PACKAGE AND THINNER  
FREE



**USE**

Quality and warranty. Long lasting. Replacements available.

**EASY**  
TO CLEAN  
AND MAINTAIN



**DISPOSAL**

Waste reduction. Supplier-manufacturer packaging reuse system. Components are easy to be separated. Inks in packaging are water-based, without solvents.

**99,83%**  
RECYCLABLE  
MATERIALS

■ **CERTIFICATES AND REFERENCES**

The different programmes get points in different environmental categories to get the LEED certificate (sustainability, material and resources, water, energy and atmosphere, inner environment quality, innovation and design).



The mark of responsible forestry



PEFC Certificate



EN ISO 14006:2011  
ECODESIGN Certificate



UNE-EN ISO 9001:2008  
ISO 9001 Certificate



UNE-EN ISO 14001:2004  
ISO 14001 Certificate



E1 Certificate  
by EN 13986



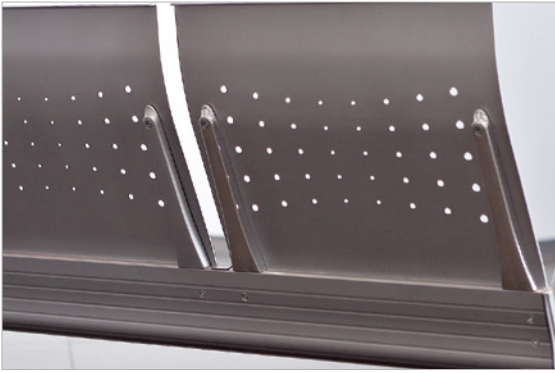
ACTIU TECHNOLOGY PARK  
LEED® PLATINUM certified by USGBC  
Leadership in Energy & Environmental Design  
LEED® Gold certified 2011 - LEED® Platinum certified 2017

■ **STANDARDS**

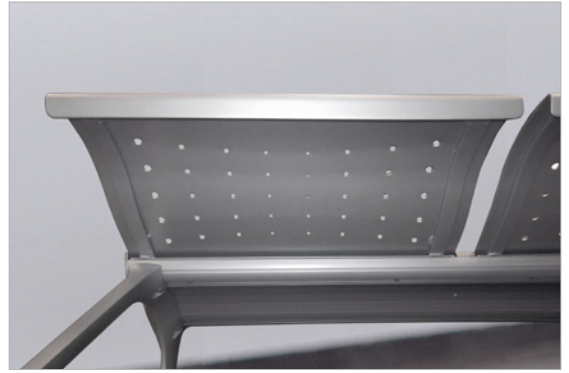
TRANSIT has passed tests done in our technical department as well as the tests done in AIDIMA the Technological Institute for furniture. The tests correspond to:

Contract seating: Essay level 2. Standard to be applied:

- UNE-EN 15373:07. Furniture. Resistance, long lasting, security. Requirements for non domestic use seating.
- UNE-EN 1728:2001. Domestic furniture - Seating - Test methods for the determination of strength and durability.



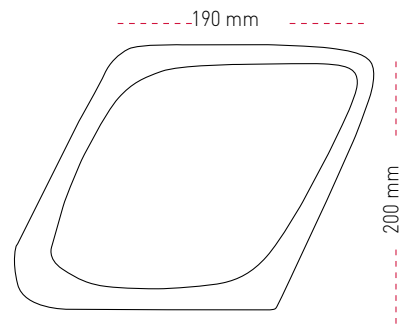
Moulded aluminium back reinforced, 40 x15 mm  
**(only in metal beam seatings)**



Moulded steel seat reinforced, 40 x15 mm  
**(only in metal beam seatings)**



Solid arms, moulded aluminium



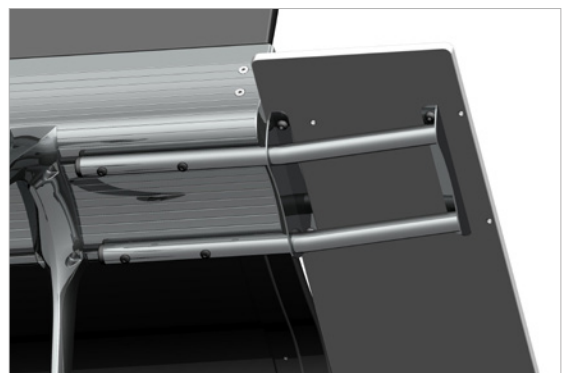
Extruded aluminium central beam 135 height and  
202 mm depth 5 mm thickness



Leg thickness 28 x 34 mm. Solid  
moulded aluminium



13 mm compact laminate table **(optional)**



Steel bracket (steel tube Ø 25 x 1,5 mm)