

# MEMBRANE

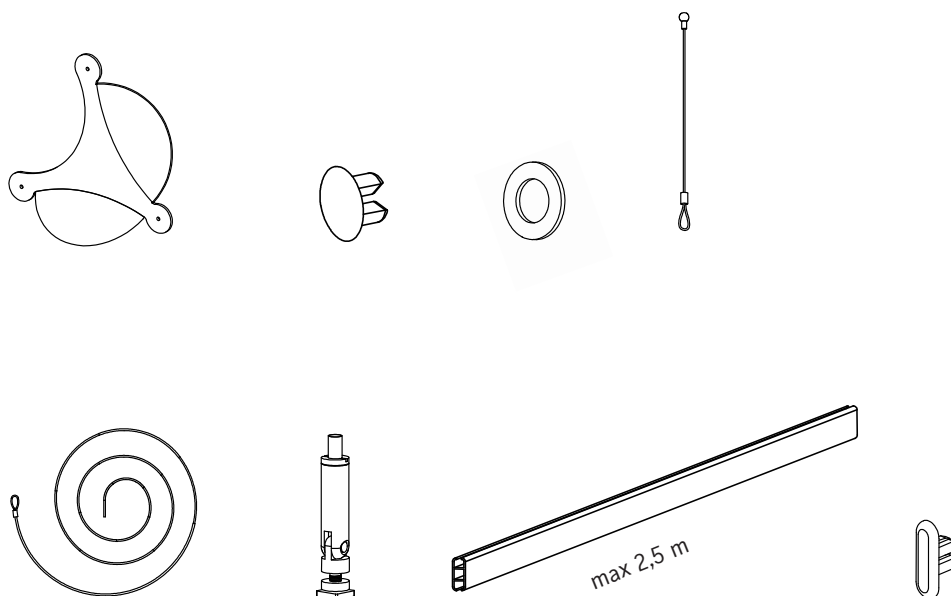
BY DAVID TRUBRIDGE

## PARTS INCLUDED IN PACKAGE

Membrane is an acoustic room divider designed by David Trubridge. The room divider consists of smaller acoustic panels which together create a modular system with two inspiring finished patterns. Membrane filter sound at the same time as it's letting through light and which creates a unique expression.

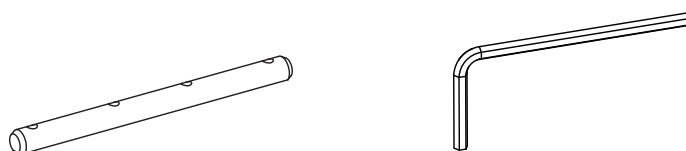
### PARTS IN PACKAGE , QUANTITIES ACCORDING TO PACKING NOTE

---

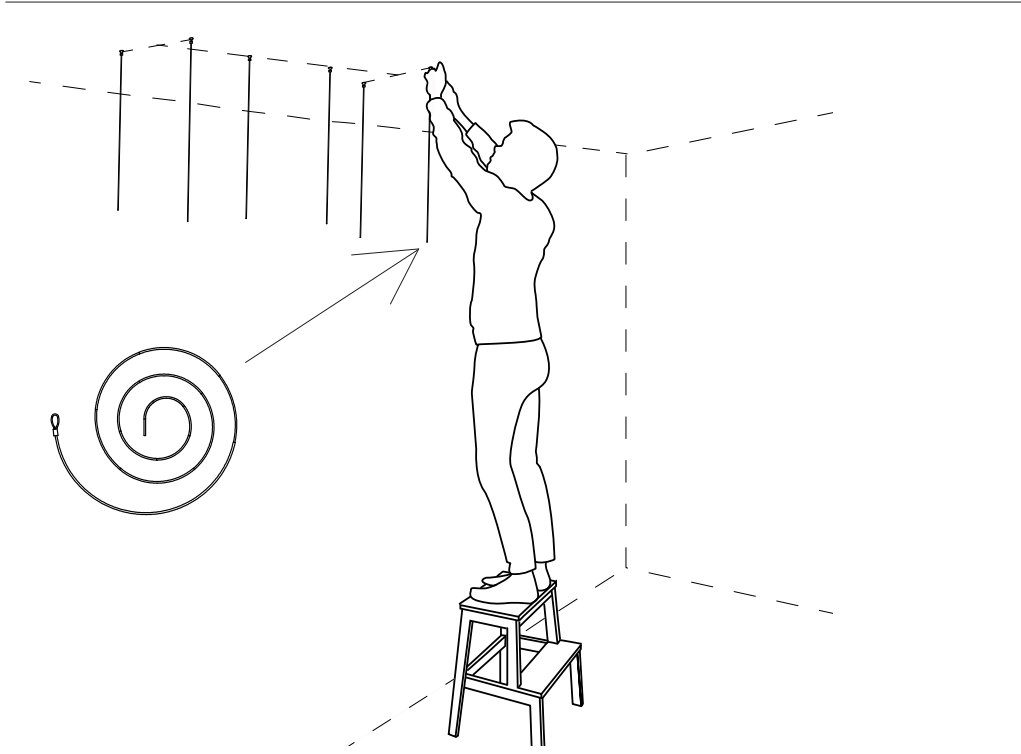


### CONNECTION IF MULTIPLE BEAMS

---

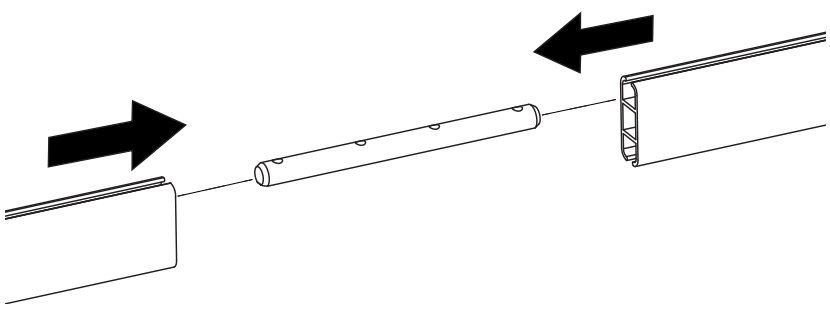


1

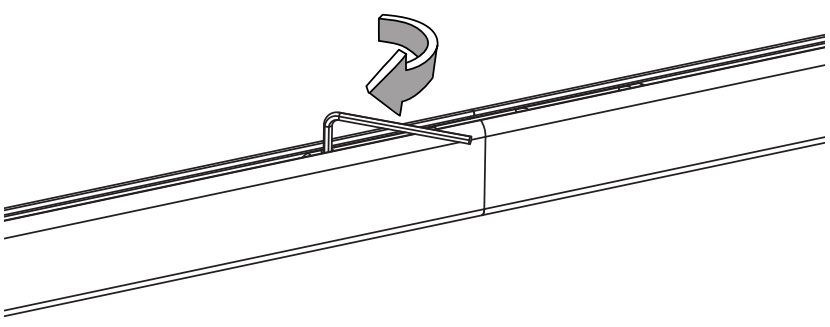


2

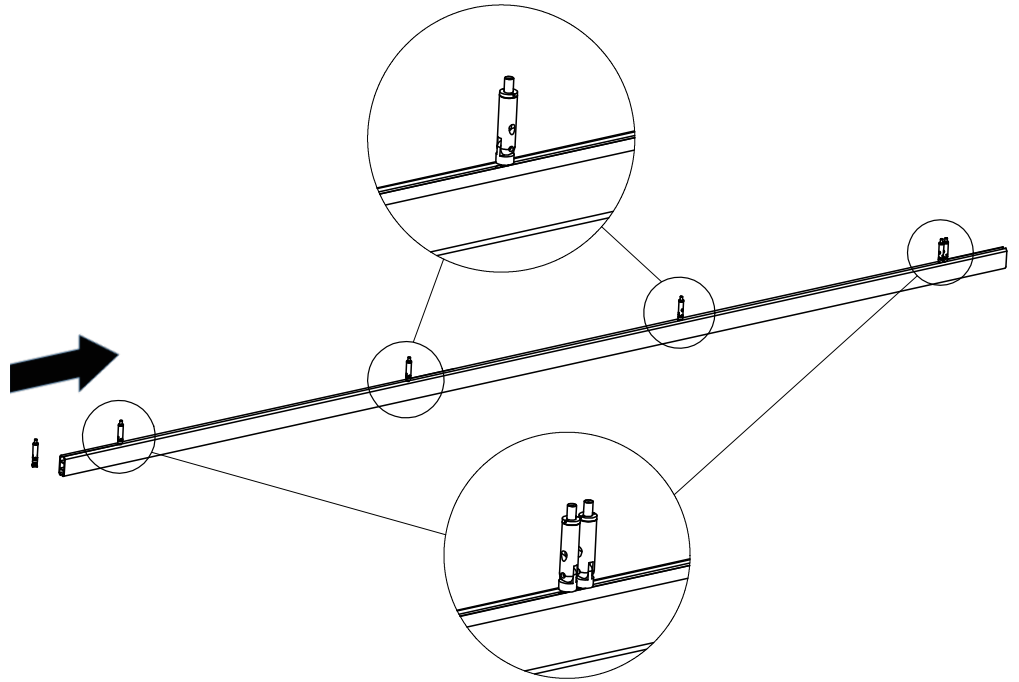
CONNECTION IF MULTIPLE BEAMS



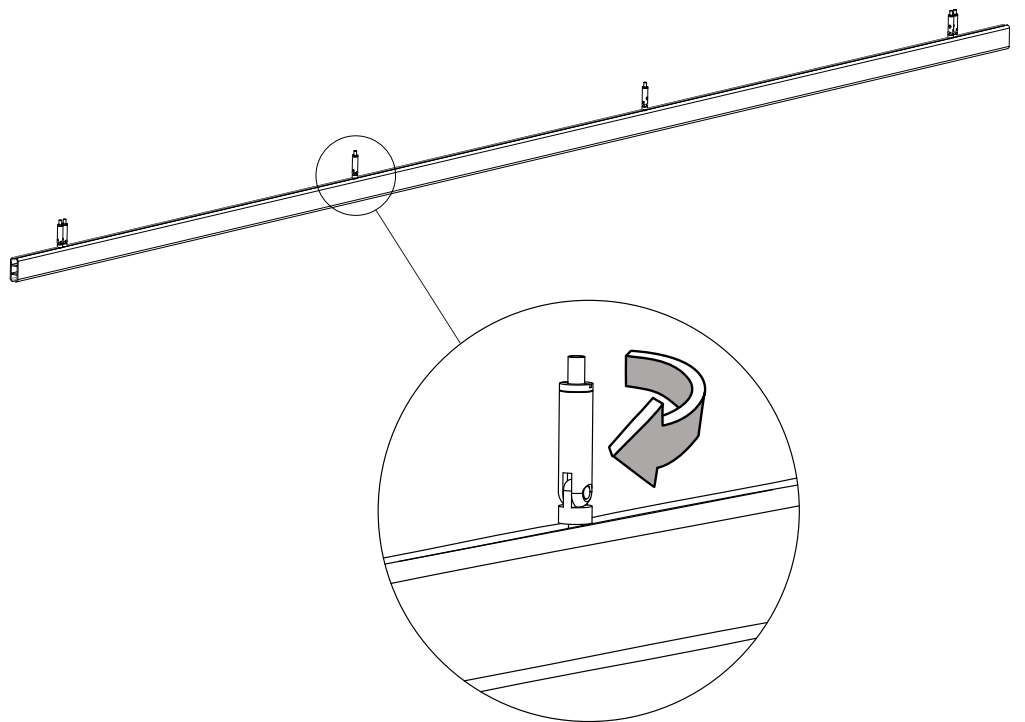
3



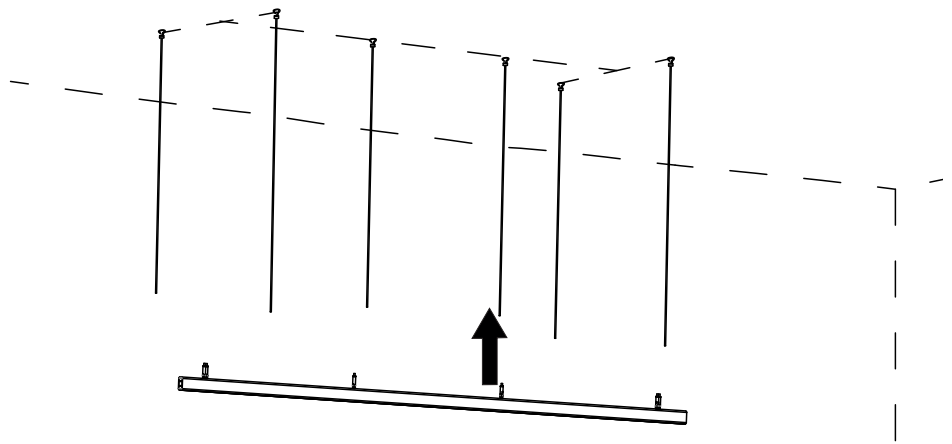
4



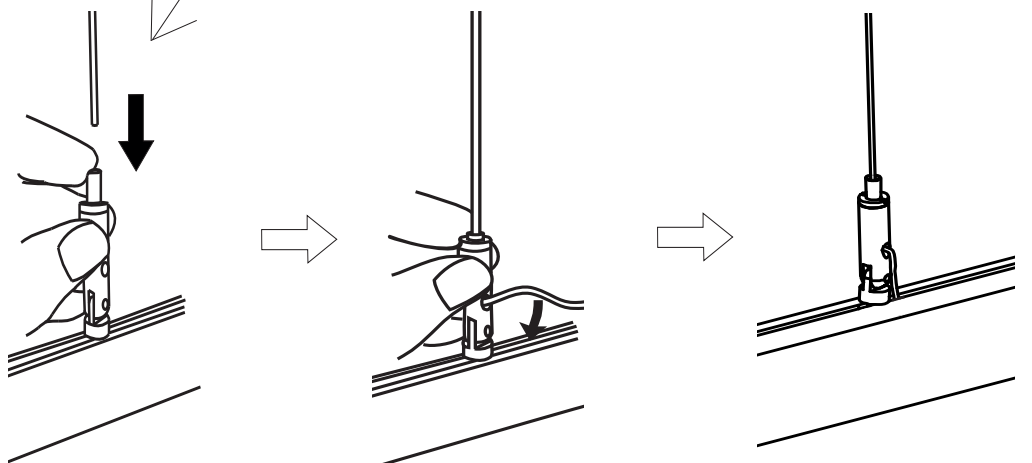
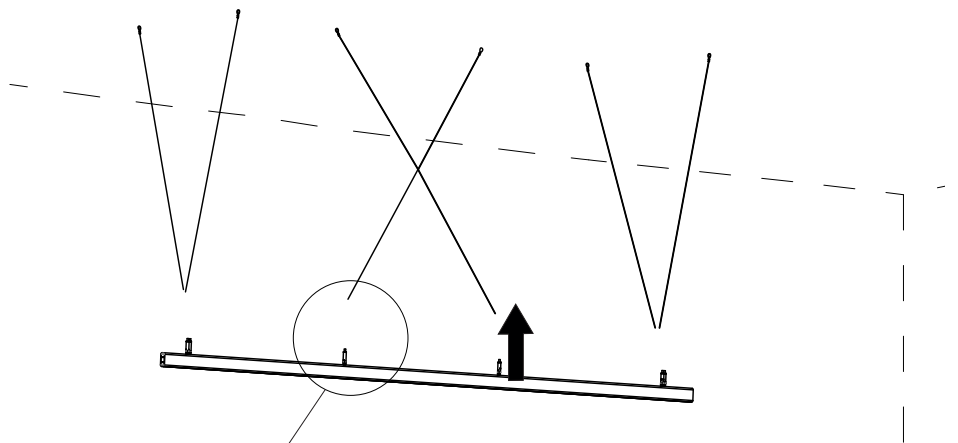
5



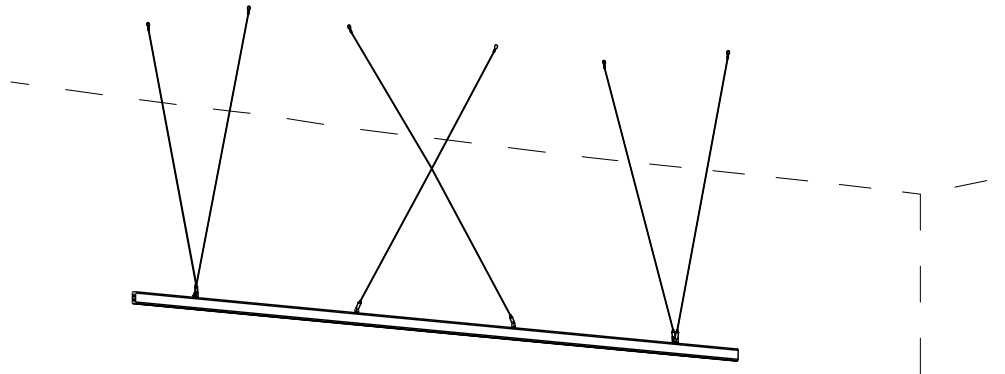
6



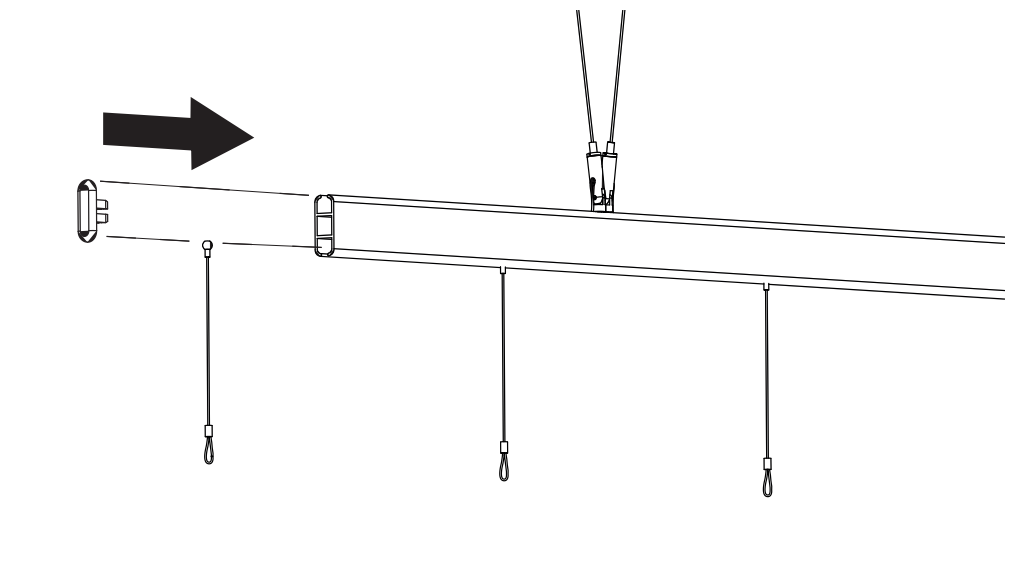
7



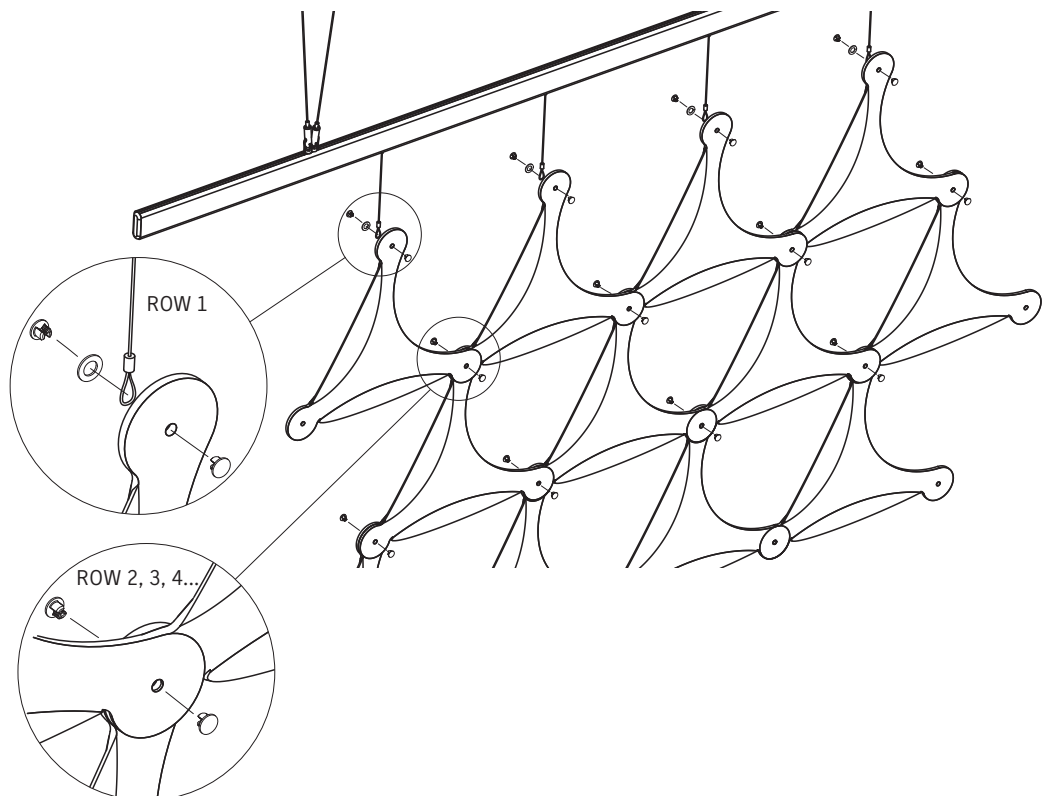
8



9

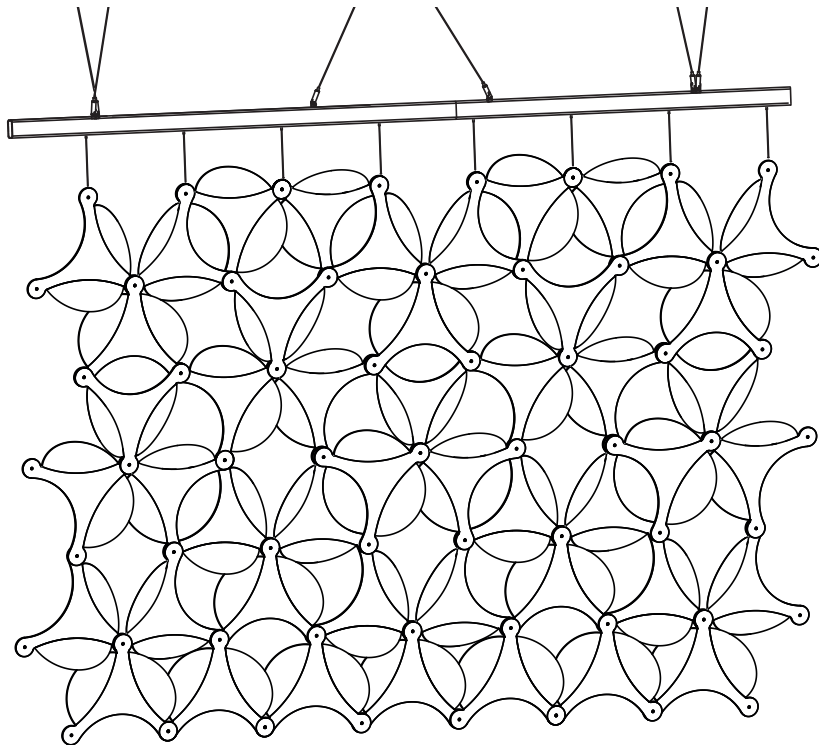
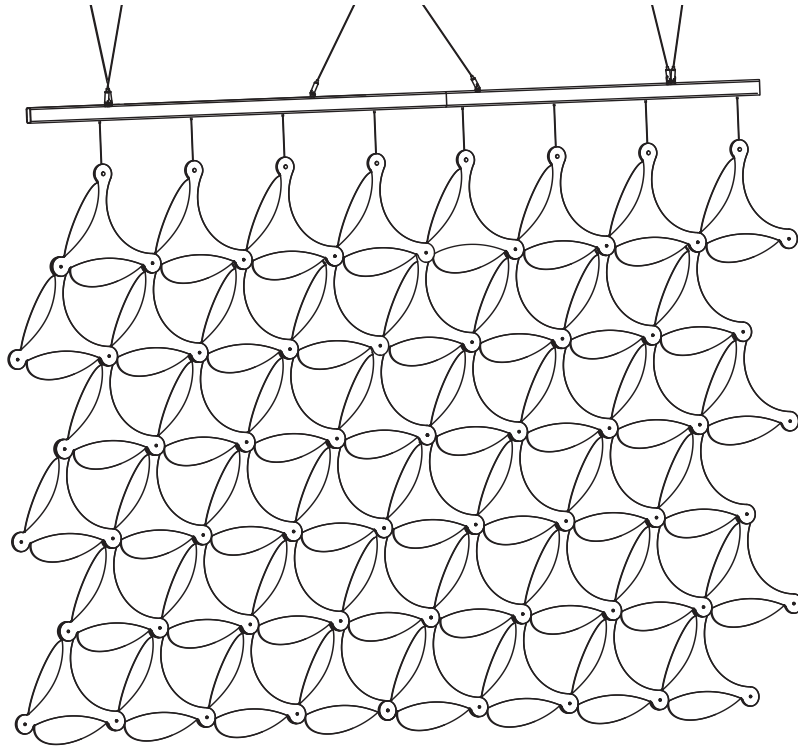


10



PATTERN PROPOSAL

---



# OFFECCT

OFFECCT: BOX 100, SE-543 21 TIBRO, SWEDEN  
PHONE: +46 (0)504 415 00  
E-MAIL: [SUPPORT@OFFECCT.SE](mailto:SUPPORT@OFFECCT.SE)  
[WWW.OFFECCT.COM](http://WWW.OFFECCT.COM)