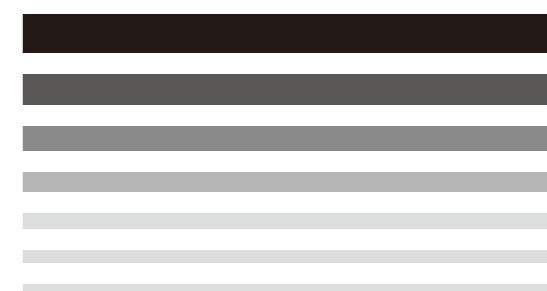




SAKURA

Models: U2II
U2MicroII
U2Fuzzy
U2IIB

RANGE HOOD OPERATING INSTRUCTIONS



Before using this range hood,
please read these instructions
completely.

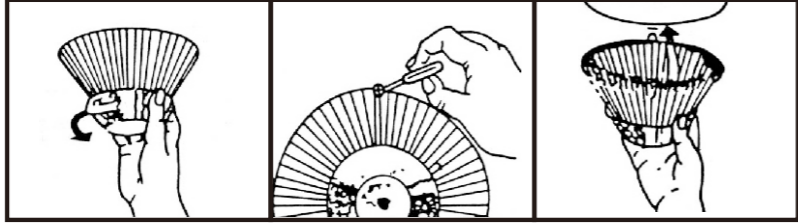


使用方法

4. 立體集油組之拆裝

(A) 欲拆下立體保護網時，將圓集油盤依反時針方向旋轉即可卸下圓集油盤，再用十字螺絲起子卸下螺絲，並取下立體保護網，這二項零件(立體保護網、圓集油盤)是可清洗的，如果必要時建議每3-5個月更換濾油網乙次，每個吸風口一片。

(b) 欲裝回立體保護網時，將立體保護網的一耳傾斜插入中架板後方孔內，另一耳對準中架板的凹槽，再用十字螺絲起子將立體保護網以螺絲固定之。



當油杯內油污積有八分滿時，請將它倒棄以免溢出污染環境。

5. 排風機使用

本機不僅可排除廚房的油煙，平時亦可作排風機使用，調節室內空氣。

6. 保養

(a) “保養重於修護”為發揮本機最佳性能，延長使用壽命，請經常注意保養。

(b) 保養修護時，將將油機電源或總開關切到OFF。

(c) 使用後，請用乾布或沾有中性清潔劑擦拭，外殼與中架板，經常保持清潔，以維持美觀和衛生。

7. 請勿任意改變排風機內任何零件，維修請洽詢合格技術人員。

修理指南

注意：維修前請先切斷電源！

| 毛病 | 原因 | 處置辦法 |
|-------------|---|---|
| 燈亮 馬達不轉動 | 馬達束心，培林損壞 馬達線壓燒毀 電容器啟動線脫落 電容器損壞 扇葉安裝太高或太低， 卡於馬達或油盤 | 換新馬達 換新馬達 啟動線接回電容器 換新電容器 取下風葉半圓塑套，轉 鬆螺絲推到頂點後，再 往下降0.5公分 |
| 機體震動 | 頂板補強板脫落 馬達未鎖緊 風葉受損不平穩 | 鎖緊馬達 更換風葉 |
| 燈泡不亮 | 燈泡損壞 | 將燈罩固定螺絲拔下 再將燈泡取下更換 |
| 油杯四週 漏油 | 1. 油杯內油污溢出來 2. 導油管未對準油杯 | 1. 油杯八分滿即應倒掉 2. 調整導油管角度 |
| 開關無作用 | 1. 接線端子鬆脫 2. 開關損壞 | 1. 將接線端子重新插緊 2. 更換開關 |

PREPARATION FOR INSTALLATION

Please read the following carefully before installing your Range Hood—a quality home appliance. Installation will be much easier if you have read this important note.

1. It is not difficult to install the Range Hood if you have a proper exhaust duct going outside your home. You should also have appropriate tools for installation use. Generally, with a proper exhaust duct and tools, it only takes about 2 hours to install the Range Hood.

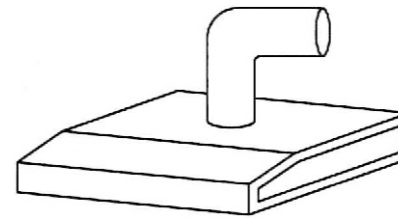
2. The Range Hoods are available in round or rectangular vent which can be connected to either round or rectangular exhaust duct. Please check your exhaust duct and the vent of your existing range hood (if you have one) to see which of the following best suits your situation:

(1) No exhaust duct:

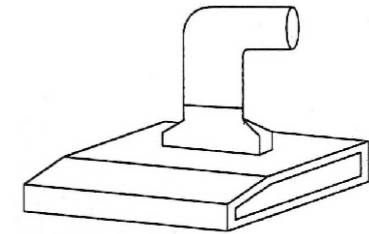
If you do not have an exhaust duct going outside your home, please hire a professional to install one for you.

(2) Round exhaust duct:

A. Round vent—round exhaust duct

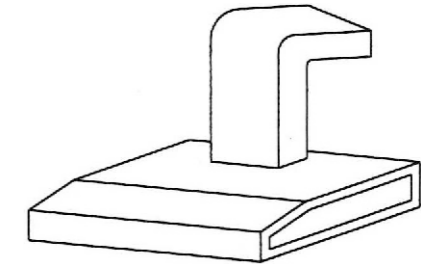


B. Rectangular vent—round exhaust duct



(3) Rectangular exhaust duct:

C. Rectangular vent—rectangular exhaust duct (upper vent)



Explanatory Notes Figures A to C:

A. Round vent—round exhaust duct:

In this case, installation is the easiest and exhaust performance is the best. Please measure the circumference of the exhaust duct with a rope:

If the circumference is 32cm, the diameter of the exhaust duct will be 4",

If the circumference is 40cm, the diameter of the exhaust duct will be 5",

If the circumference is 48cm, the diameter of the exhaust duct will be 6",

If the circumference is 56cm, the diameter of the exhaust duct will be 7".

The vent of the Range Hoods is 6" in diameter. If your exhaust duct is not 6" in diameter, you have to buy a connecting duct to connect the exhaust duct to the vent. Please note that if your exhaust duct is 4" or less in diameter, the performance of your Range Hood will be greatly affected.

B. Rectangular vent—round exhaust duct:

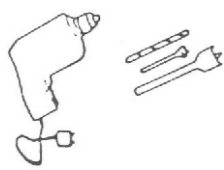
Check whether or not the rectangular-to-round connecting duct is still usable. If not, we suggest that you consider using round vent and follow the procedures mentioned in A.



C. Rectangular vent—rectangular exhaust duct (upper vent):

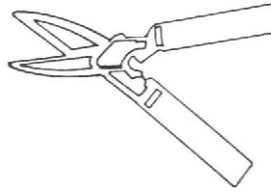
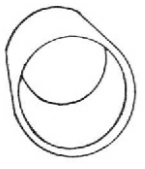
In this case, no connecting duct is required. However, it is not easy to connect the rectangular vent with a rectangular exhaust duct. We suggest that you ask a professional to do the installation for you.


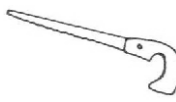
使用 方 法



3. Tools and Materials Required

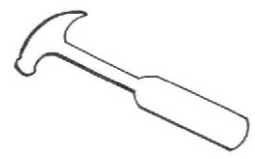

- 
 - Electric drill, with 1-1/4" wood bit (for drilling an access hole on the cabinet for the electric power line);

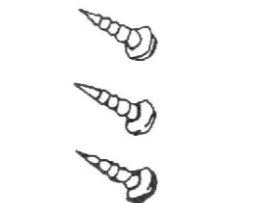

 - Screwdrivers, both philips and slot head, (for securing the mounting screws to the cabinet and removing the wiring case cover and middle support plate);
- 
 - Pliers (for opening electrical knockout);


 - Heavy duty cutter (for cutting metal plate);
- 
 - Electrical supplies for the wiring;


 - Heat resistant tape (for taping the connection between the vent and the exhaust duct);
- 
 - Pencil and ruler (for marking locations);


 - Jigsaw or saber saw (for drilling an appropriate vent);
- 
 - Hammer (for striking out the rectangular steel plate);


 - Hammer (for striking out the rectangular steel plate);
- 
 - Three tapping screws (to fit the rectangular damper onto the back of the machine)


 - Three tapping screws (to fit the rectangular damper onto the back of the machine)

Parts Supplied in the Accessory Package


1. Wood screws 3/16" x 5/8" L — 4 pcs
2. Flat washer 3/16" — 4 pcs
3. Screw connector—3 pcs

- ★ 4. Rectangular damper — 1 pc
- ★ 5. Round cover plate — 1 pc




★ These parts are optional for installation.

1. 開關之操作

一般蹺板開關(U2II)

- (a) " L " 啓動鍵: 控制左馬達運轉/速度(高速-停止-低速)
- (b) " R " 啓動鍵: 控制右馬達運轉/速度(高速-停止-低速)
- (c) "  " 照明鍵: 控制照明燈亮與熄

蹺板開關(U2IIH)

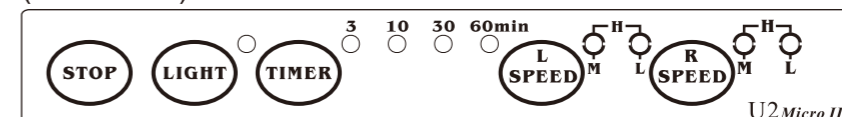
- (a) "  " 指示燈: 燈亮表示啟動熱熔解功能, 燈熄表示關閉熱熔解功能.
- (b) "  " 控制熱熔解功能啟動與關閉
 ※ 馬達停止運轉後, 按此開關即可啟動熱熔解功能, 15分鐘後, 會自動關機.
 使用中途中如欲停止熱熔解功能, 只需再按一次熱熔解開關, 即可停止
- (c) " L " 啓動鍵: 控制左馬達運轉/速度(高速-停止-低速)
- (d) " R " 啓動鍵: 控制右馬達運轉/速度(高速-停止-低速)
- (e) "  " 照明鍵: 控制照明燈亮與熄

觸控開關(U2Fuzzy)



- 「On/Off」 鍵：馬達之開與關控制鍵。
 在關機狀態下，按壓一下，則立即成為開機之狀態，同時馬達開始運轉，且進入自動偵測運轉狀態，馬達轉速會隨著油煙和熱流而變化轉速，待無油煙和熱流時，馬達會以最低轉速持續運轉3小時進行空氣調節功能，再進入30分鐘待機，待機時有任何油煙和熱流產生時即會自動再運轉，若待機30分鐘內無油煙和熱流之產生則機器會自動關機。(註：自動偵測運轉時"低"速內含低速和最低轉速)
- 「Light」 鍵：照明燈之亮與熄控制鍵。
 每按壓一下即可在開燈與關燈間切換，同時按鍵旁之LED指示燈跟隨亮或滅，每次狀態改變時蜂鳴器均"bi"一聲。此按鍵為一獨立運作開關，不受開/關機狀態之影響。
- 「Auto」 鍵：自動控制鍵。
 開機時自動進入"Fuzzy"模式。於"手動"模式時，按一下則切換為"Fuzzy" 模式，要再切換為"手動"模式則須按"Speed"鍵。
- 「Speed」 鍵：馬達轉速手動調整鍵。於"Fuzzy"模式時，按一下則切換為"手動"模式，若要再切換為"Fuzzy"模式時則須按"Speed"鍵。進入"手動"模式後，每按一下，則馬達轉速增加一檔，若已經到達最高檔位，則再從最低檔開始，依此循環。
- 「Clean」 鍵：清潔指示燈。
 電路於偵測到感測器反應遲緩時，清潔指示燈會亮起，清潔完畢時按住"Auto"鍵3秒可使指示燈熄燈。

觸控開關(U2MicroII)



- " Stop " 鍵: 控制左右馬達及定時器之運轉/停止
- " Light " 鍵: 控制燈之照明亮與熄
- " Timer " 鍵: 馬達運轉定時選擇鍵(3min→10min→30min→60min→off循環切換)
- " Speed " 鍵: 控制馬達運轉(High→Medium→Low→off循環切換)

選擇出風口

1. 出風口相關尺寸(圖1)
關於出風口的相關尺寸，請參閱第5頁的說明。
2. 出風口的選擇和說明(請先參閱按裝前準備工作篇)
 - 圓形出風
使用時若選用頂部圓形出風時，直接銜接6" 風管排風(本機係以圓形出風口出廠)。
 - 方形出風
(1)選用頂部方形出風時，請依下列步驟按裝：
 - a. 取下圓形風管座。(圖2)
 - b. 將圓形上蓋板上下扭轉取下" A"部，並以2支直徑5/32"×5/16"L自攻螺絲固定於頂板。(圖 3)
 - c. 取方形風管座並以2支直徑5/32"×5/16"L自攻螺絲固定於頂板。(圖 4)

按裝順序

1. 依據電源的進入方向(經由壁櫥或牆壁配線)，決定敲開油機頂板或後板的入線孔方向(圖 5)。
2. 用一字螺絲起子插入線孔的溝槽並前後擺動(圖 5)，再用鉗子夾起鬆動之入線孔塞(圖 6)。
3. 在櫥櫃的底板上，標示出油機頂部4個鑰匙孔的狹長槽孔中心位置，並鎖上4個長5/8"，直徑3/16"之木螺釘。(請勿鎖緊，保留約1/8"之間隙)(圖 7)。
4. 依已決定之出風口位置以工具鑿出風口孔。
5. 在櫥櫃上，標示電源入口的位置並鑽孔(圖 8)。
注意：(1)電源線如設計於櫥櫃底板下方，則可省略本項鑽孔動作。
(2)進行配線前，請先關掉屋內之電源。
6. 將電源線穿入已鑽在壁櫥上之電源線入口孔內(圖 9)。
7. 用十字起子鬆開中架板上之螺絲，將拔除感測器完成接線後(圖 11，適用於U2Fuzzy機型)，務必將感測器之接頭插入後再將中架板鎖回(圖 10)。
8. 將油煙機置於櫥櫃下方，並在電源線尾端裝上護線環後穿入油煙機上的電源線入線孔，使電源線固定在油機上而不易脫落(圖 12)。
9. 將油煙機頂部鑰匙孔之大孔(圓孔位)，對準櫥櫃上尚未鎖緊的螺絲頭，並推動油機，使螺釘頭固定在鑰匙孔的狹長孔位上，再逐一取下螺釘，套入直徑5mm平墊圈再鎖上螺釘(圖 13)。
10. 調整油煙機與壁櫥於適當位置後，將螺釘鎖緊，使油機固定於壁櫥上。
11. 將油煙機的外接電線與電源線(參考配線圖)進行配線後再鎖上線蓋。(圖 14)。
(U2MicroII機型:參考圖14-1;U2Fuzzy機型:參考圖14-2)
12. 將中架板鎖回(圖 15)。
13. 裝上油杯(圖 16)。
14. 用耐熱膠布將風管接口封住，以免漏氣。

IMPORTANT SAFETY INSTRUCTIONS "READ AND SAVE THESE INSTRUCTIONS " READ ALL INSTRUCTIONS BEFORE USING YOUR RANGE HOOD

1. Make sure the power is off before installing, wiring or maintenance.
2. Keep the range hood clean.
3. To get the best performance, the vertical clearance between the cook-top and the range hood should range from 24" to 32".
4. Always keep the duct clear to have proper airflow.
5. Please read the specification label on the product for further information.
6. When the "clean" indicator is light, use neutral detergent to clean the surface of sensor in the center of support plate. Press and hold the "Auto" switch for 3 seconds to light off after cleaning.
7. CAUTION-To reduce risk of fire and to properly exhaust air, be sure to duct air outside-Do no vent exhaust air into spaces within walls or ceilings or into attics, crawl spaces, or garages"
8. WARNING-To Reduce The Risk Of Fire Or Electric Shock, Do Not Use This Fan With Any Solid-State Speed Control Device".
9. WARNING-TO REDUCE THE RISK OF FIRE, ELECTRIC SHOCK, OR INJURY TO PERSONS, OBSERVE THE FOLLOWING:
 - a) Use this unit only in the manner intended by the manufacturer. If you have questions, contact the manufacturer.
 - b) Before servicing or cleaning unit, switch power off at service panel and lock service panel to prevent power from being switched on accidentally. When the service disconnecting means cannot be locked, fasten a prominent warning device, such as a tag, to the service panel.
 - c) Installation work and electrical wiring must be done by a qualified person(s) in accordance with all applicable codes and standards, including Fire--Rated Construction.
 - d) Sufficient air is needed for proper combustion and exhausting of gases through the flue(chimney) of fuel burning equipment to prevent back drafting .Follow the heating equipment manufacturer's guideline and safety standards such as those published by the National Fire Protection Association (NFPA), and the American Society for Heating, Refrigeration and Air Conditioning Engineers (ASHRAE), and the local code authorities.
 - e) When cutting or drilling into wall or ceiling, do not damage electrical wiring and other hidden utilities.
 - f) Ducted fans must always be vented to the outdoors.
10. "CAUTION"- "For General Ventilating Use Only. Do Not Use To Exhaust Hazardous Or Explosive Materials And Vapors."
11. WARNING-TO REDUCE THE RISK OF A RANGE TOP GREASE FIRE
 - a) Clean ventilating fans frequently. Grease should not be allowed to accumulate on fan or filter.
 - b) Always turn hood on when cooking at high heat or when cooking flaming foods.
 - c) Never leave surface units unattended at high settings. Boilovers cause smoking and greasy spillovers that may ignite and spread if hood is used. Heat oils slowly on low or medium settings.
 - d) Don't leave your range unattended when cooking.
 - e) Use proper pan size. Always use cookware appropriate for the size of the surface element.
12. WARNING-TO REDUCE THE RISK OF INJURY TO PERSONS IN THE EVENT OF A RANGE TOP GREASE FIRE, OBSERVE THE FOLLOWING:
 - a) SMOTHER FLAMES with a close-fitting lid, cookie sheet, or metal tray, then turn off the burner. BE CAREFUL TO PREVENT BURNS. If the flames do not go out immediately, EVACUATE AND CALL THE FIRE DEPARTMENT.
 - b) NEVER PICK UP A FLAMING PAN-You may be burned.
 - c) DO NOT USE WATER, including wet dishcloths or towels-a violent steam explosion will result.
 - d) Use an extinguisher ONLY if:
 - 1) You know you have a Class ABC extinguisher, and you already know how to operate it.
 - 2) The fire is small and contained in the area where it started.
 - 3) The fire department is being called.
 - 4) You can fight the fire with your back to an exit.
13. WARNING-To reduce the risk of fire, use only metal ductwork.
14. A replacement SBCFL lamp be type that complies with UL 1993.
15. Please wait for 2 minutes to operate Electric heating function when installation or power failure.
16. Please wait 5 seconds to switch Electric heating function when operating.
17. Do not touch the exterior when using Electric heating function.

MAKE YOUR VENT READY BEFORE INSTALLING THE RANGE HOOD

1. Dimension details. (Fig1)

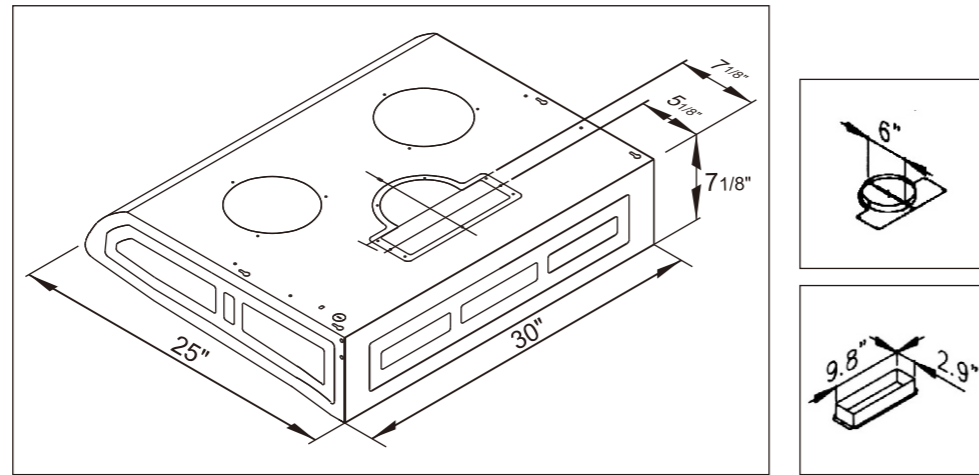


Fig. 1 Dimension details

2. Available in two different exhaust vents:

- (1) For round vent (the standard type), please connect the 6" exhaust duct to the round vent off the machine.
- (2) For rectangular vent on the top, please follow the procedures below:
 - (a) Take out the round damper assembly from the top. (Fig2)
 - (b) Cut the round cover plate into 2 halves. Then screw Part A with 5/16" L X 5/32" Dia. Screws on both sides. (Fig3)
 - (c) Place and screw the rectangular damper with 5/16" L X 5/32" Dia. Screws. (Fig4)

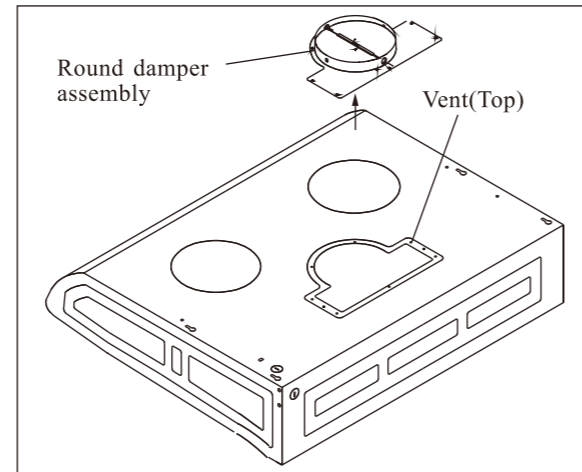


Fig. 2 Take out the round damper assembly

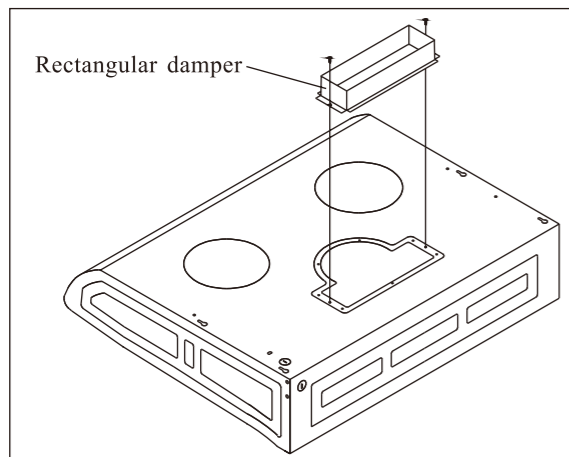


Fig. 4 Place and screw the rectangular damper

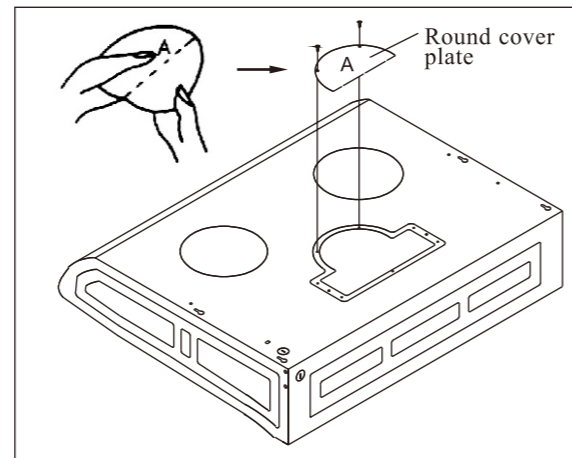


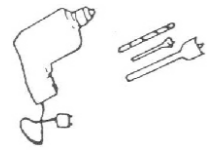
Fig. 3 Fit the round cover plate

注意事項 ◆(使用前請先閱讀相關指示)◆

1. 在安裝、接線及維修之前，請先確認電源已完全關閉。
2. 保持油煙機清潔。
3. 為保持油煙機良好的功能，油煙機和瓦斯爐之間的垂直淨空範圍必須保持24-32英寸之間。
4. 確保出風管暢通以維持適宜的空氣流通。
5. 欲了解更詳盡資料，請參閱機體上之規格貼紙。
6. 當“Clean”指示燈亮起，可用中性清潔劑清潔位於中架板中央之偵測器的表面。清潔完畢後，壓住“Auto”按鈕3秒鐘，清潔指示燈即可熄滅。
7. 注意：為減低著火的風險及適當的排出油煙，請確保油煙排出屋外，切勿排放油煙至狹窄的牆面或天花板間，如：閣樓、車庫...。
8. 警告：為減低著火或觸電的風險，本風扇切勿用其他電氣開關(固態繼電開關)代用。
9. 警告：為減低著火、觸電或是有傷害到人的風險，請遵守以下重點：
 - (a) 請依製造者指示來使用油煙機。若有疑問請連絡製造商。
 - (b) 維修或清洗油煙機之前，關掉電源。
 - (c) 安裝及接線工作必須由合格的技術人員依據合宜的安規來執行，包括和火相關的指示。
 - (d) 為了燃燒系統能完全的燃燒及廢氣經由排氣管排放，避免廢氣回流，充足的空氣是必須的。請遵守燃燒系統製造者之使用手冊及安全規格，例如國家火災保護協會(NFPA)、美國加熱、冷凍及空調工程協會(ASHRAE)，及當地政府之規章。
 - (e) 當在牆面或天花板上鑽孔時，請勿傷及電線及其他隱藏之設施。
 - (f) 排氣管的風扇必須接通至戶外。
10. 注意：本機僅用於一般空氣流通方面使用，禁止用於排放危險、易爆氣體或蒸汽。
11. 警告：為減低油煙機著火之風險：
 - (a) 經常清潔排風之風扇，不應該讓油漬累積在風扇上或濾網上。
 - (b) 當高溫煮食時務必打開抽油煙機。
 - (c) 當油煙機高速運行時，對爐火上之食物不可離開視線，過度烹煮之食物易引起油煙或是熱油易自鍋中噴起溢出，如此易造成在使用中之油煙機著火並使火蔓延。在油煙機低速運轉時，慢慢加熱油之溫度。
 - (d) 當煮食時，要隨時留意抽油煙機是否發生異常。
 - (e) 使用適當大小之煮食鍋具。
12. 警告：為減低著火、觸電或是有傷害到人的風險，請遵守以下重點：
 - (A) 用緊密的鍋蓋，褥單或托盤來悶住燄火，然後關掉爐火，請注意避免燙傷。如果火燄沒有立即熄滅，請立刻離開起火點並打電話給消防隊。
 - (b) 切勿拿起著火的鍋具—你很有可能因此受傷。
 - (c) 不要試著用水熄火，亦包含用濕餐巾或濕毛巾，因為如此易引起猛烈的蒸汽。
 - (d) 使用滅火器滅火，如果狀況如以下敘述時：
 1. 確定有級數ABC的滅火器，而且你已知道如何來操作它。
 2. 燄火很小並仍在原起火點內燃燒。
 3. 已打電話通知消防隊了。
 4. 確定有足夠的能力滅火且後方有安全逃生的出口。
13. 警告：為降低火災的風險，建議使用金屬的管道系統。
14. 安裝熱熔解油機初次通電或斷電，重新啟動時，請於2分鐘後，再按壓熱熔解開關。
15. 使用中切換熱熔解開關時，機體表面隔5秒以上，再進行切換功能。
16. 使用電熱除油功能時，機體表面溫度較高，請勿觸摸。

INSTALLATION PROCEDURES

3 · 必備的工具：★



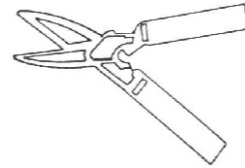
- ★電鑽(1-1/4" 木鑽頭)
- ★一字和十字起子



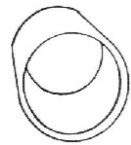
鉗子



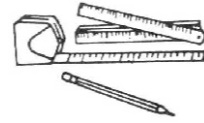
- ★剪鐵片的剪刀



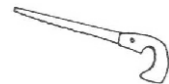
配線用電料



- ★耐熱膠布



鉛筆及尺



- ★電動鋼片鋸(手動鋸亦可)



鐵錘



二~三個攻牙螺絲(固定風管用)



所附之零件

- 1 · 木螺釘(M4×8L) 四個
- 2 · 平面華司(3/16") 四個
- 3 · 螺絲接線座 三個

- ★ 4 · 方形風管座 一個
- ★ 5 · 圓形上蓋板 一個

★這些零件為選擇性安裝需求。

1. Remove the top or the rear electrical knockout according to the location of the power cable. (Fig. 5)
2. Loosen the knockout with a screwdriver and use pliers to pull out the loosened knockout. (Fig.5 & Fig.6)
3. On the bottom of the cabinet, mark the center position of the narrower ends of the four keyholes on the top of the range hood. Screw the four 5/8"-long wood screws (3/16" in diameter) on the cabinet loosely. (Fig.7)
4. On the bottom of the cabinet, cut the exhaust vent with suitable tools.
5. On the cabinet, mark the position of the access hole through which the power supply cord will go. Drill the access hole with a 1-1/4" bit on your drill. (Fig. 8)
6. Take the power supply cord through the access hole drilled on the cabinet. (Fig. 9)

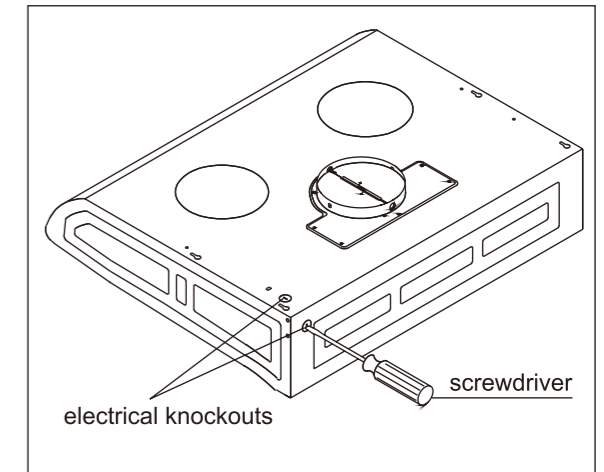


Fig.5 Electrical knockouts

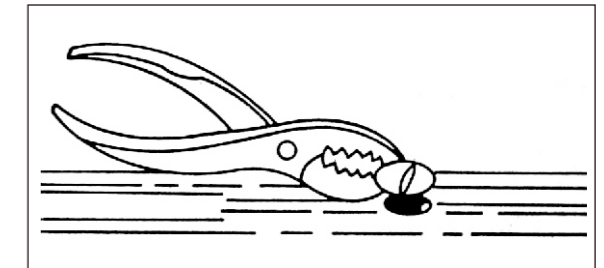


Fig.6 Remove the electrical knockouts

Note:

1. If the power supply cord has been led out from the wall under the bottom of the cabinet, you can skip the procedure of drilling the access hole on the cabinet.
2. Warning: Turn off the power at the service panel before wiring.

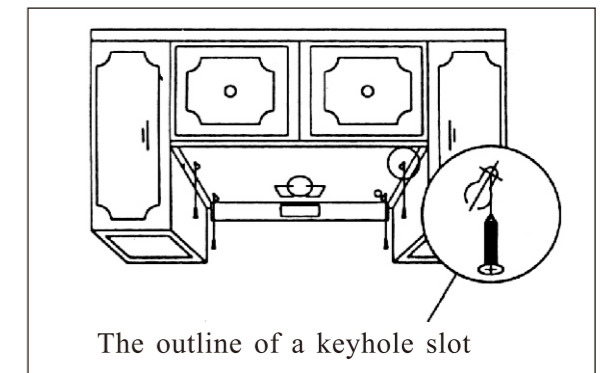


Fig. 7 Fasten screws to the bottom of the cabinet

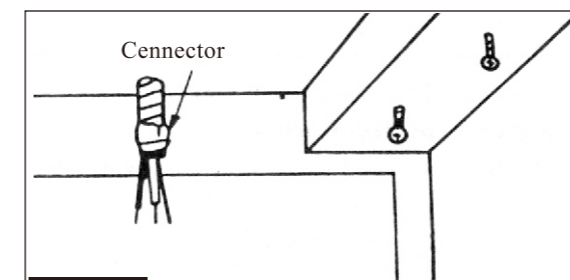


Fig.9 Take the power supply cord through the access hole

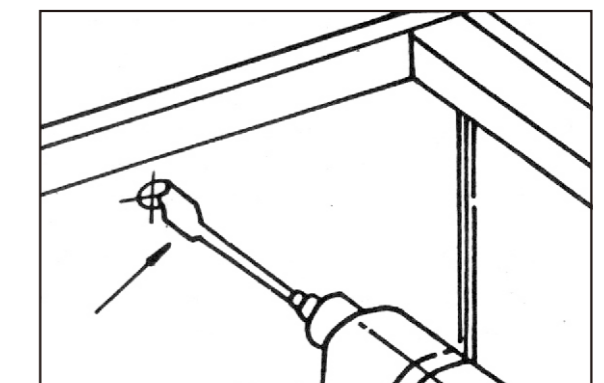


Fig.8 Drill an access hole for electrical power line

按裝前的準備工作

- Loosen the screws on the middle support plate with a philips screwdriver. Remove the middle support plate and then pull out wire housing of sensor. After wire power supply cord, please make sure to plug the housing of sensor in before you re-screw the middle support plate up. (Fig.10/Fig.11)
- Locate the range hood on the bottom of the cabinet. Thread the power supply cord through the knockout and secure the power cord on the hood. (Fig. 12)
- Fit the four wider ends of the keyholes into the four screws on the cabinet, then adjust the hood till the screws are pushed into the narrow part of keyhole slots. Loose every screws and increase 3/16" washers to screw on together. (Don't screw on too tightly.)(Fig. 13)
- Adjust and center the location of the hood on the cabinet, then tighten the screws. Make sure the hood is attached to the cabinet firmly.

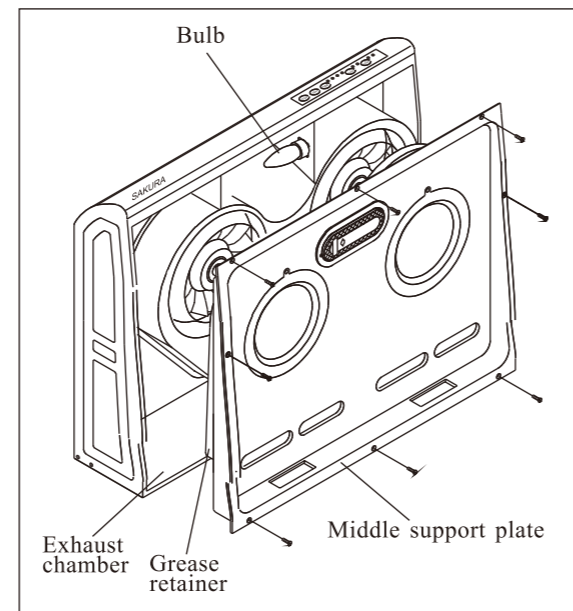


Fig. 10 Remove the middle support plate

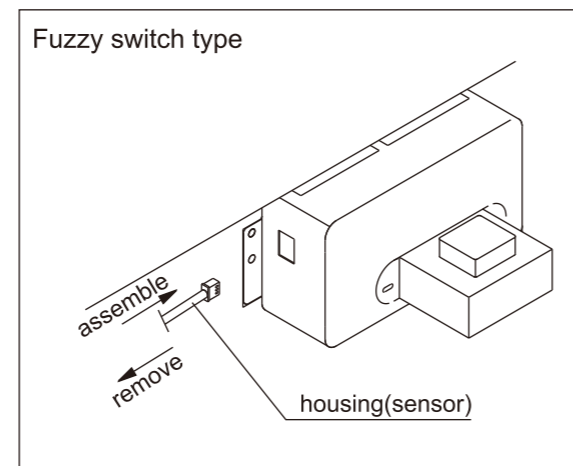


Fig. 11 Plug the housing sensor

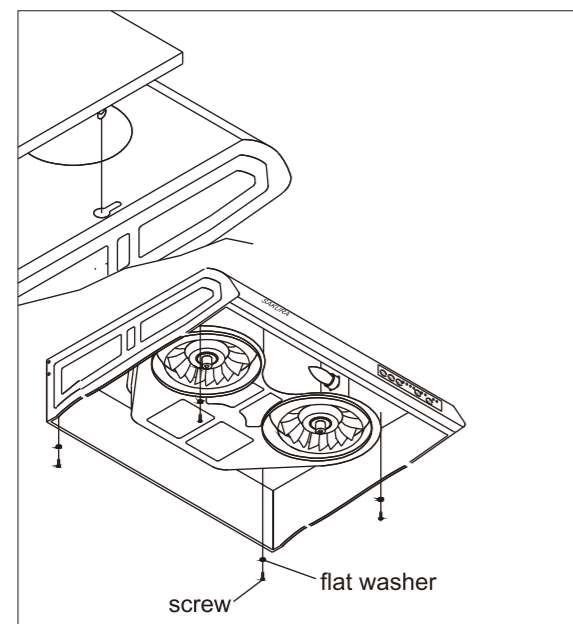


Fig. 13 Fit the keyhole slots over the screws

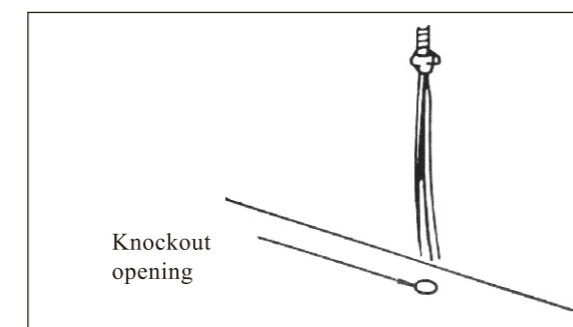
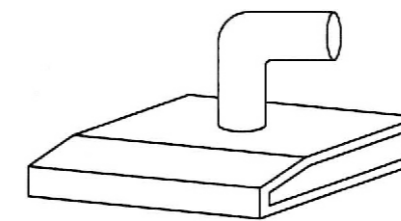


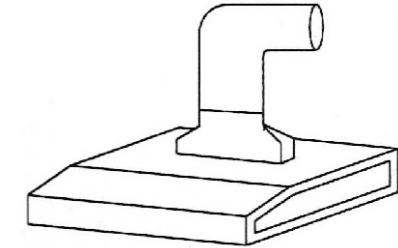
Fig. 12 Route the power supply cord

- 按裝抽油煙機並不困難，若家中本來就配有風管，又有齊全的工具，一般在兩小時之內應可完成。但有許多人常因工具配件不足，而花了數倍的時間，故按裝前的了解及準備十分重要。
- 抽油煙機可使用圓出風口或方出風口，兩種均可接圓或方的風管。如果您還沒有風管的話，我們建議您找專家替您按裝一個。如果您已有風管，請先檢查您的風管及現有抽油煙機(如果您有的話)的出風口為下列哪一種接法：

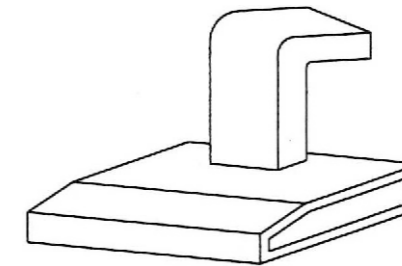
圓出風管：
A式. 圓出風口接圓風管



B式. 方出風口接圓風管



方出風管：
C式. 方出風口接方風管(上出風)



上述圖例說明如下：

A式. 圓出風口接圓風管：

此種方式按裝容易，且出風效果最好，抽油煙機圓出風口的直徑為六吋，請測量您的風管的直徑，如果不是六吋的話，您就需要買一個轉接管(六吋轉五吋或六吋轉七吋等)。請注意，如果風管的直徑等於或小於四吋的話，抽風效果將大打折扣。測量出風管直徑方法如下：用一根繩子環繞風管，測出風管的圓周長：

如果圓周長為32公分，則風管的直徑為4吋；
如果圓周長為40公分，則風管的直徑為5吋；
如果圓周長為48公分，則風管的直徑為6吋；
如果圓周長為56公分，則風管的直徑為7吋；

B式. 方出風口接圓風管：

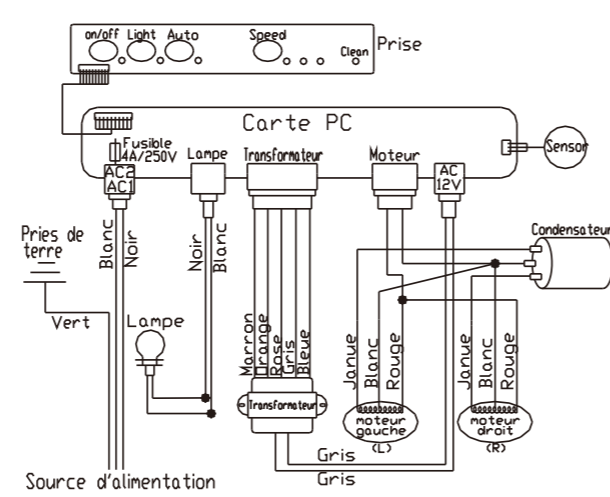
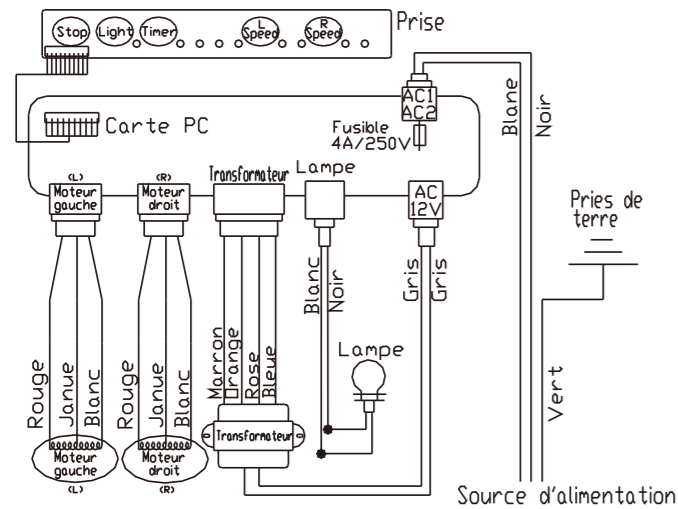
若您現有的抽油煙機為此種按裝方式，您可以查看方轉圓的轉接管是否還能用，如果已老舊或損壞，建議您乾脆改用圓出風口，出風效果較好，若決定使用圓出風口，請參照圖A的說明。

C式. 方出風口接方風管(上出風)：

此種接法不需再買任何轉接管，但要將方風管接上方出風口較為困難，建議您找專家替您按裝。

(Modèle : U2MicroII)

(Modèle : U2Fuzzy)



11. Connect the leading wires and power supply cord (refer to the circuit diagram on page 10/11 in this manual.), put back cover and screw on. (Fig. 14)

(For the soft touch membrane control model: U2MicroII/ U2Fuzzy, please refer to Fig14-1/ Fig14-2) ..

12. Screw on middle support plate(Fig.15)

13. Place the two oil collectors as shown. (Fig. 16)

14. Seal the joint(s) connecting the vent and the exhaust duct with heat resistant tape to prevent air from leaking.

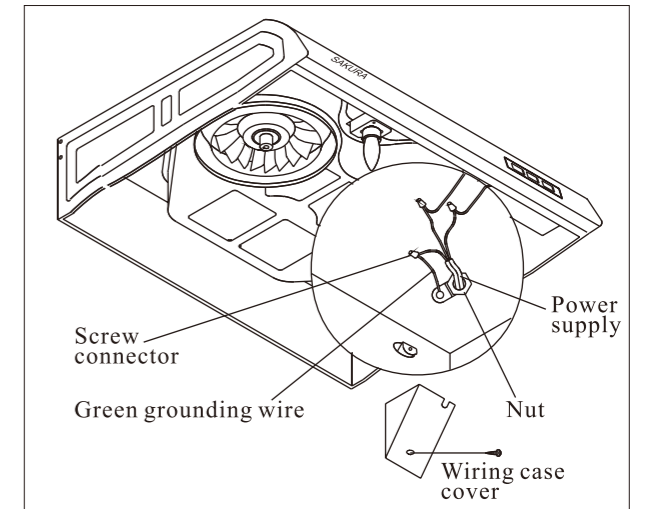


Fig. 14 Wire the power supply cord(U2II)

DEPANNAGE

PRECAUTION: Coupez l'alimentation avant d'effectuer toute réparation.

| ETAT | CAUSE ET REMEDE POSSIBLE |
|--|--|
| La lampe fonctionne, mais le moteur ne tourne pas. | <p>a. Enlevez la protection girouette et tournez la girouette à la main. Si la girouette ne tourne pas en douceur, le centre des roulements à bille du moteur peut être endommagé. Dans un tel cas, changez-le avec un nouveau moteur.</p> <p>b. Si le moteur s'arrête de fonctionner et émet une odeur après un certain temps d'opération, les fils du moteur peuvent être brûlés. Changez le moteur.</p> <p>c. Si le fil de démarrage (jaune) est désengagé depuis le condensateur, vous devez le remettre en place.</p> <p>d. Si le condensateur est endommagé, changez-le avec un nouveau.</p> |
| Vibration de la machine | <p>a. Si les moteurs n'ont pas été fermement vissés, resserrez-les bien.</p> <p>b. Si la girouette est endommagée ou déséquilibrée, changez-la avec une nouvelle.</p> |
| L'ampoule ne s'allume pas | Il vous suffit de dévisser l'abat-jour de l'ampoule, de changer celle-ci, puis de remettre l'abat-jour en place. |
| De l'huile fuit depuis les collecteurs d'huile | <p>a. Lorsque les collecteurs d'huile sont remplis au 3/4 ou que l'huile est sale, ils ont besoin d'être nettoyés.</p> <p>b. Ajustez les tuyaux de guide d'huile pour qu'ils aillent bien avec les collecteurs.</p> |
| Aucun changement de la vitesse du ventilateur | Si aucun changement de la vitesse du ventilateur n'est observé tout en contrôlant le bouton de vitesse, changez de transformateur. |
| Bruit de ventilateur extraordinaire | Changez de transformateur. |

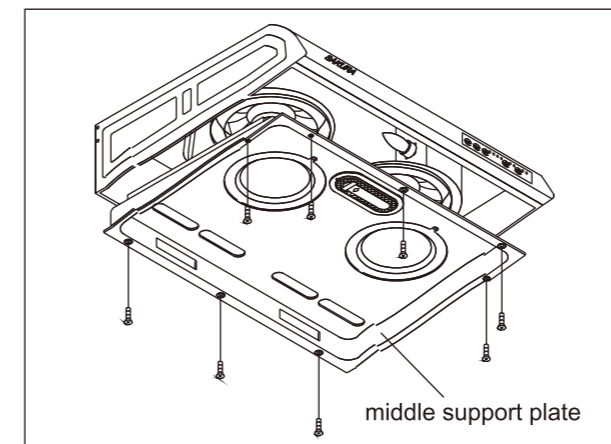


Fig. 15 Fix the middle support plate

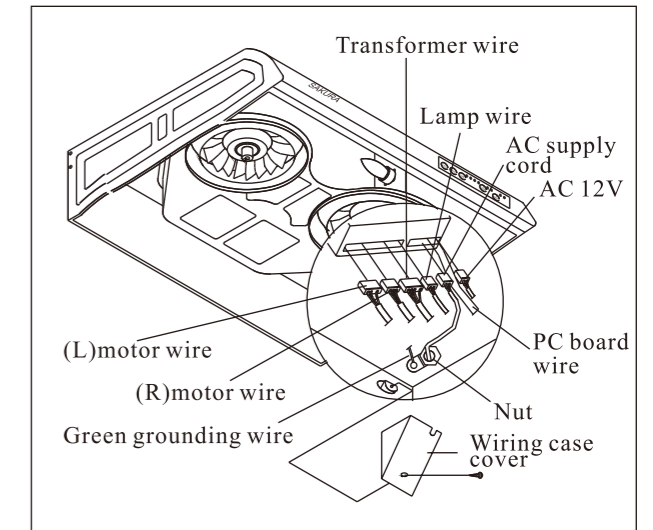


Fig. 14-1 Wire the power supply cord (U2MicroII)

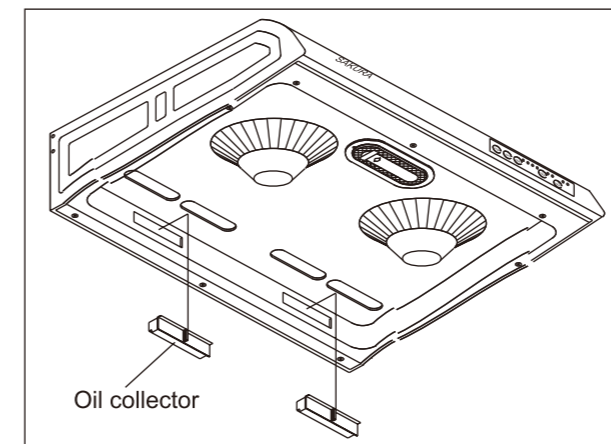


Fig. 16 Hang up the oil collectors

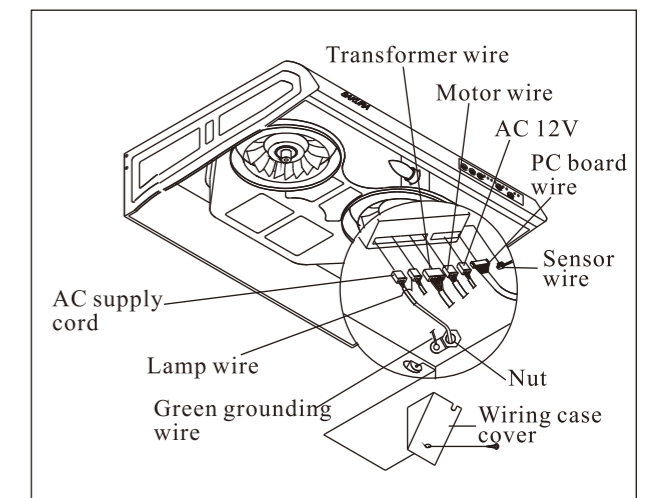


Fig. 14-2 Wire the power supply cord (U2Fuzzy)

HOW TO OPERATE YOUR RANGE HOOD

1. SWITCH OPERATION:

● Rocker Switch:(U2II)

- (a) "L" switch :Control left motor speed.(High→Off→Low)
- (b) "R" switch :Control right motor speed.(High→Off→Low)
- (c) The "☹️" lamp switch :Control on and off the light.

● Rocker Switch:(U2IIH)

- (a) "☉" Led : Display of the heat-cleaning function on and off.
- (b) "●" switch : Control on and off the heat-cleaning.
※Press this bottom to open Electric heating function when motor stop operating, It will auto-shut off after 15 minutes.
Press this bottom again to stop Electric heating function.
- (c) "L" switch :Control left motor speed.(High→Off→Low)
- (d) "R" switch :Control right motor speed.(High→Off→Low)
- (e) The "☹️" lamp switch :Control on and off the light.

● Electronic Switch (U2Fuzzy)



- (a) "On/Off" Switch: Control on and off of the motor

Press the switch to turn on the hood, and operation mode will be at auto-mode. Motor speed changes depend on the volume and heat of cooking fume and it will perform from low speed. If there's no fume been sensed, motor will drop to lowest speed in 30 seconds and operate 3 hours air ventilation with the lowest speed then stop. But it will keep 30 minutes stand by mode, if sensor detects any cooking fume and heat, motor will operate again automatically during stand by mode. Otherwise, the hood will turn off. (Remark: when the appliance is speed "L" indicator presents two levels of speed: low and lowest)

- (b) "Light" Switch: Control on and off of the light.

Press the switch to turn on and off the light with the LED indicator. The built-in alarm will give a "bi" sound whenever the operation status changes. The operation of this switch is independent and will not affect the on and off of the motor.

- (c) "Auto" Switch: Automatic control switch.

The operation mode will automatically set at "Fuzzy" mode when switch on the range hood. In manual operation, press "Auto" switch to change the mode to "Fuzzy". Press "manual" switch to return to manual operation.

- (d) "Speed" Switch: Speed control switch. (Remark: low speed-"L"; medium speed-"M"; high speed-"H")

In "Fuzzy" mode, press the "Speed" switch to change the "Manual" mode. Press "Auto" switch again to return "Fuzzy" mode. In "Manual" mode, press "Speed" switch to alter motor speeds (low→medium→high in an overriding sequence).

- "Clean" switch: Clean indicator.

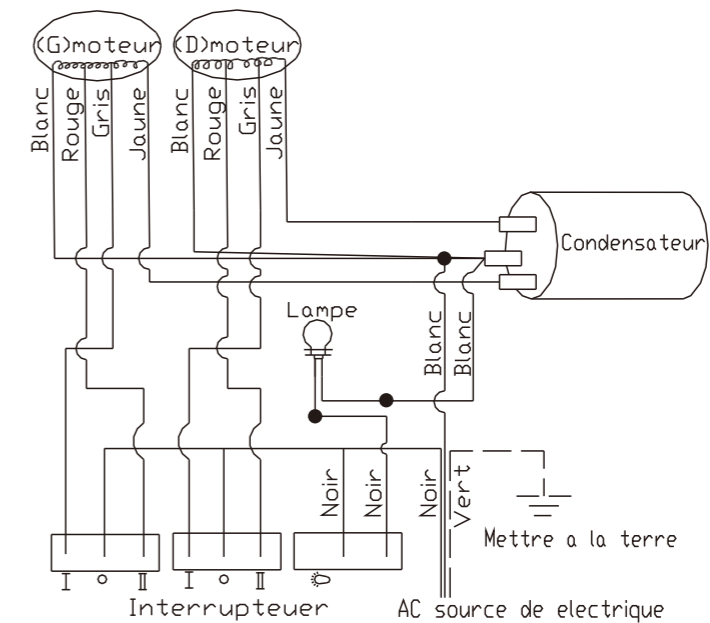
The indicator will light when the appliance self-detects the lagging reaction of the sensor. Clean the sensor, press and hold the "Auto" switch for 3 seconds to light off.

SPECIFICATIONS ET DIAGRAMME DU CIRCUIT

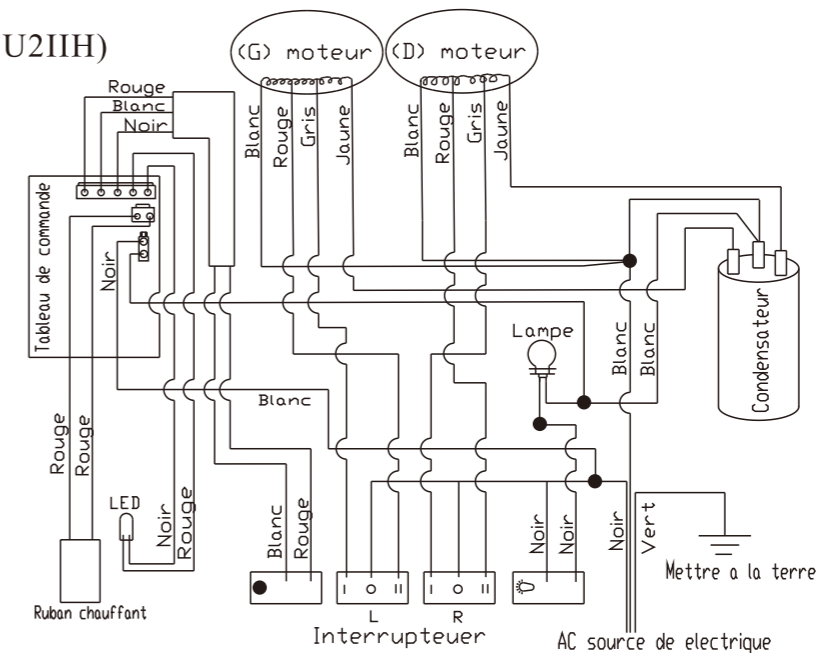
CARACTERISTIQUES

| Modèle | U2IIH | U2II | U2MicroII | U2Fuzzy |
|------------------------------------|--------------------------|----------|-----------|---------|
| Voltage | 120V x 60Hz | | | |
| Rotation | Doubles moteurs | | | |
| Diamètre de l'orifice d'aspiration | Diam.: 6" et 3- 1/8" X10 | | | |
| Vitesse de rotation | 1 vitesse | 1600 RPM | | |
| | 2 vitesses | 1300 RPM | | |
| | 3 vitesses | ---- | 900 RPM | 900 RPM |
| | 4 vitesses | ---- | ---- | 600 RPM |
| Consommation | 345W | 190 W | | |
| PROTECTION THERMIQUE | | | | |

(Modèle : U2II)



(Modèle : U2IIH)



● **Commutateur électronique (U2MicroII)**

- (a) Bouton "Arrêt"

Met en marche ou arrête le moteur.

- (b) Bouton "Lumière"

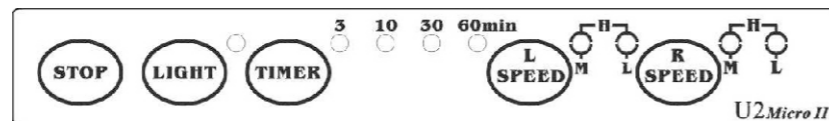
Contrôle la lampe.

- (c) Bouton "Chrono"

Contrôle le moment du mouvement du moteur (3mn → 10mn → 30mn → 60mn → Arrêt en séquence)

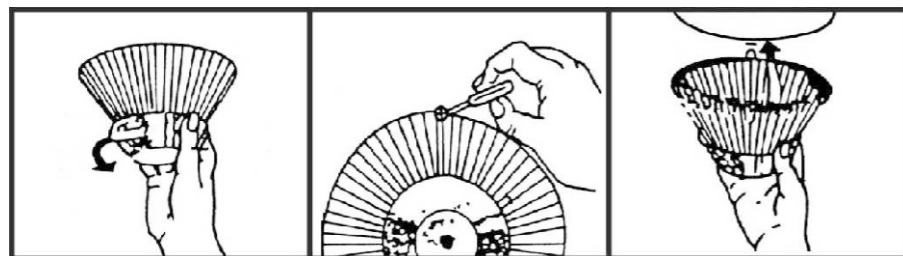
- (d) Bouton "Vitesse"

Contrôle la vitesse du moteur (lente → moyenne → rapide en séquence).



2. ENLEVEMENT DU FILTRE

- (a) Pour enlever la graisse et son système de prise, tournez le collecteur d'huile rond dans le sens inverse des aiguilles d'une montre, puis desserrez la vis avec un tournevis à tête de socle et enlevez les protections girouette en forme de cône. Cette protection girouette, les collecteurs d'huile et les filtres sont lavables. 6 filtres en aluminium sont fournis dans l'emballage des accessoires. Il est conseillé de remplacer les filtres une fois tous les 3-4 mois. Et une fois par mois pour les entrées d'échappement.
- (b) En installant la protection girouette, placez une oreille de la protection dans le trou arrière du plateau de support du milieu, puis faites aller ensemble l'autre oreille avec la fente sur l'autre côté du plateau. Utilisez un tournevis à tête de socle pour visser les protections girouette sur le plateau.



3. CETTE MACHINE PEUT AUSSI ETRE UTILISEE EN TANT QUE VENTILATEUR

De même, cette machine peut être utilisée en tant que ventilateur pour améliorer la circulation d'air en intérieur.

4. ENTRETIEN

- (a) Un bon entretien donne de meilleures performances et prolonge la durée de vie de votre appareil. Veuillez entretenir périodiquement votre **Ventileuse de Cuisine**.
- (b) Veuillez éteindre l'appareil avant de l'entretenir.
- (c) Après chaque utilisation, frottez le corps de la ventileuse et aussi le plateau de support du milieu avec un chiffon sec et un produit détergent neutre pour conserver la ventileuse propre et sensible.
5. N'essayez pas de réparer ou changer toute partie du corps de la ventileuse et du plateau de support du milieu, à moins que cela ne soit spécifiquement recommandé par ce guide. Tout autre genre de service doit être effectué par un technicien qualifié.

● **Electronic Switch (U2MicroII)**

- (a) "Stop" Switch

It turns on and off of the motor.

- (b) "Light" Switch

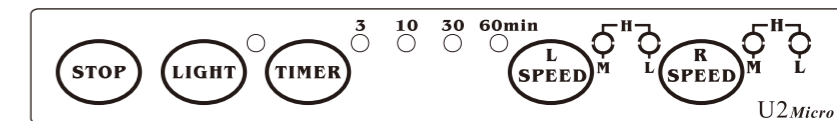
It controls the light.

- (c) "Timer" Switch

It sets time for the motion of the motor (3min→10min→30min→60min→timer off in an overriding order).

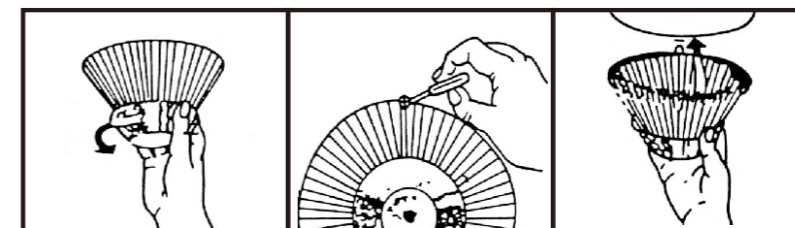
- (d) "Speed" Switch

It controls the speed of the motor (high→medium→low →off in an overriding order).



2. FILTER SET REMOVAL

- (a) To remove the grease—trapping device, turn the round oil collector in counterclockwise, then loosen the setting screw with a slot-head screwdriver and take off the cone shaped vane guards. The vane guard, oil collectors and filters are washable. 6 pcs. aluminum filters are provided in accessory package. Filters are recommended to be replaced every 3 to 5 months, one for each exhaust inlet.
- (b) When installing the vane guard, place one ear of the guard in the rear hole of the middle support plate, and then match the other ear with the groove on the other side of the plate. Use a slot head screwdriver to screw the vane guards on the plate.



3. THIS MACHINE CAN ALSO BE USED AS A VENTILATOR

As well, this machine can be used as a ventilator to enhance indoor air circulation.

4. MAINTENANCE

- (a) Good maintenance gives the best performance and prolongs the life of the machine. Please maintain your range hood periodically.
- (b) Please turn off the power before maintenance.
- (c) After each use, please wipe the body of the hood and middle support plate with a dry cloth or a wet cloth with mild detergent to keep the hood clean and sensitivity.
5. Do not attempt to repair or replace any part of your range hood unless it is specifically recommended in this guide. All other servicing should be referred to a qualified technician.

COMMENT FAIRE FONCTIONNER VOTRE HOTTE


SPECIFICATIONS AND CIRCUIT DIAGRAM

SPECIFICATIONS


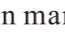

| Model | U2IIH | U2II | U2MicroII | U2Fuzzy |
|---------------------|------------------------|------------|-----------|-----------|
| Voltage | 120V x60Hz | | | |
| Rotation | Twin motors | | | |
| Exhausting hole | 6" Dia. and 3-1/8" X10 | | | |
| Revolutions | 1 Speed | 1600 R.P.M | | |
| | 2 Speed | 1300 R.P.M | | |
| | 3 Speed | ----- | 900 R.P.M | |
| | 4 Speed | ----- | ----- | 600 R.P.M |
| Power consumption | 345W | 190 W | | |
| THERMALLY PROTECTED | | | | |

1. OPERATION DU BOUTON

● Bouton à Bascule (U2II)

- Le bouton (G) contrôle la vitesse du moteur gauche (Rapide → Arrêt → Lente)
- Le bouton (D) contrôle la vitesse du moteur droit (Rapide → Arrêt → Lente)
- Le bouton de Lampe “” met en marche ou éteint la lampe

● Bouton à Bascule (U2IIH)

- LED “” : Affiche la fonction de nettoyage à chaud, marche/arrêt
- Bouton “” : Met en marche/arrête la fonction de nettoyage à chaud.
 ※Après l’arrêt du moteur, pressez ce bouton pour activer la fonction de fonte chaude, elle s’arrêtera automatiquement après 15 minutes. Si vous souhaitez arrêter la fonction de fonte chaude durant l’opération de la machine, il suffit de presser une seule fois le bouton de la fonction de fonte chaude.
- Le bouton (G) contrôle la vitesse du moteur gauche (Rapide → Arrêt → Lente)
- Le bouton (D) contrôle la vitesse du moteur droit (Rapide → Arrêt → Lente)
- Le bouton de Lampe “” met en marche ou éteint la lampe

● Bouton Electronique (U2Fuzzy)



- Bouton Marche/Arrêt: Met en marche et arrête le moteur.

Pressez le bouton pour allumer la ventiluse et le mode d’opération sera programmé sur Mode Auto. La vitesse du moteur varie selon le volume et la chaleur de la fumée de cuisson et commencera à partir d’une vitesse lente. S’il n’y a pas de fumée captée, le moteur reviendra en 30 secondes à une vitesse lente et opérera la ventilation d’air pendant 3 heures avant de s’arrêter. Il restera cependant pendant 30 minutes en Mode Attente. Si le capteur détecte de la fumée de cuisson ou de la chaleur, le moteur opérera de nouveau automatiquement depuis le Mode Attente. Sinon, la ventiluse s’éteindra (Remarque: lorsque l’appareil accélère, l’indicateur “L” montre deux niveaux de vitesse: lent et le plus lent).

- Bouton “Lumière”: Allume et éteint la lampe.

Pressez ce bouton pour allumer et éteindre la lampe avec l’indicateur LED. L’alarme incorporée émettra un “beep” sonore lorsque l’état d’opération change. L’opération de ce bouton est indépendante et n’influencera pas la marche ni l’arrêt du moteur.

- Bouton “Auto”: Bouton du contrôle automatique.

Le mode d’opération sera programmé automatiquement sur le Mode “Fuzzy” en allumant la ventiluse. Dans l’opération manuelle, pressez le bouton “Auto” pour changer le mode sur “Fuzzy”. Pressez le bouton “Manuel” pour revenir au mode d’opération manuelle.

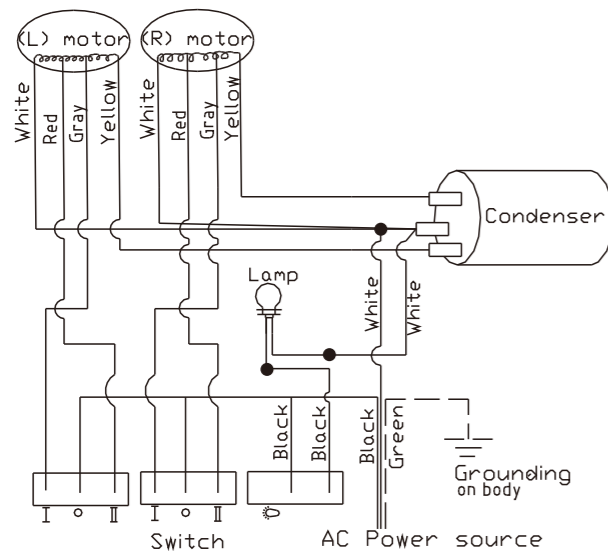
- Bouton “Vitesse”: Bouton de contrôle de vitesse (Remarque: Vitesse lente = L, Vitesse moyenne = M et Grande vitesse = H)

Dans le mode “Fuzzy”, pressez le bouton “Vitesse” pour changer le mode “Manuel”. Pressez de nouveau le bouton “Auto” pour revenir au mode “Fuzzy”. Dans le mode “Manuel”, pressez le bouton “Vitesse” pour changer les vitesses du moteur (lente → moyenne → rapide en séquence)

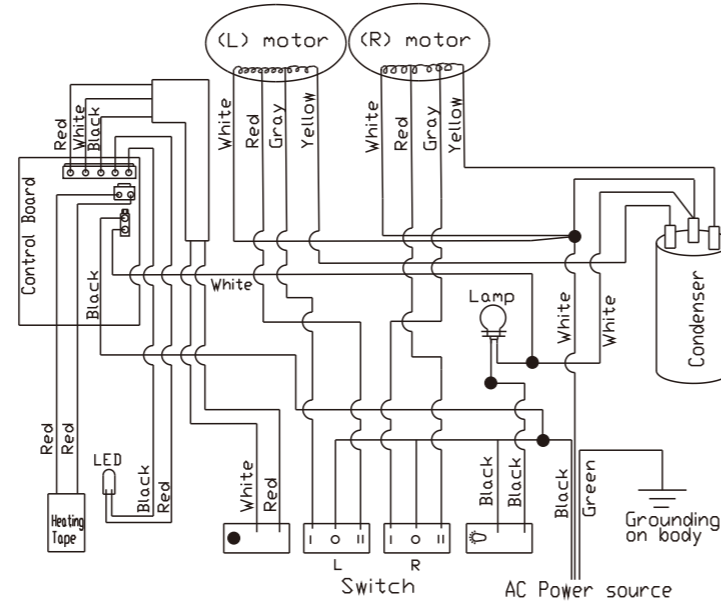
- Bouton “Nettoyer”: Indicateur du nettoyage.

Cet indicateur s’allumera lorsque l’appareil détecte automatiquement une réaction en retard de la part du capteur. Nettoyez le capteur, puis pressez le bouton “Auto” pendant 3 secondes pour éteindre la lampe.

(Model: U2II)



(Model:U2IIH)



11. Connectez les fils de conduite et le cordon électrique (voir le diagramme de circuit en page 10/11 dans ce manuel), puis remettez le couvercle en place et vissez (Schéma 14).
(Pour les modèles à contrôle par membrane digito-sensible: U2MicroII/U2Fuzzy, veuillez consulter les Schéma 14-1/14-2)
12. Vissez le plateau de support du milieu (Schéma 15).
13. Placez les deux collecteurs d'huile comme indiqué (Schéma 16).
14. Scellez les joints en connectant la ventilation et la conduite d'échappement avec une bande thermo-résistante pour éviter toute fuite d'air.

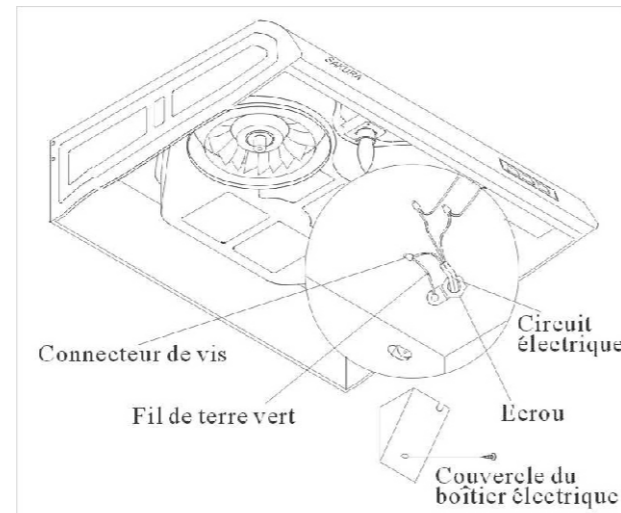
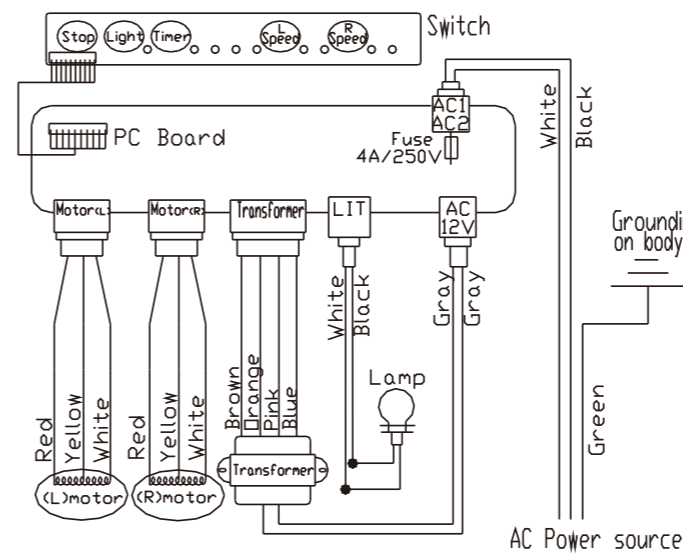
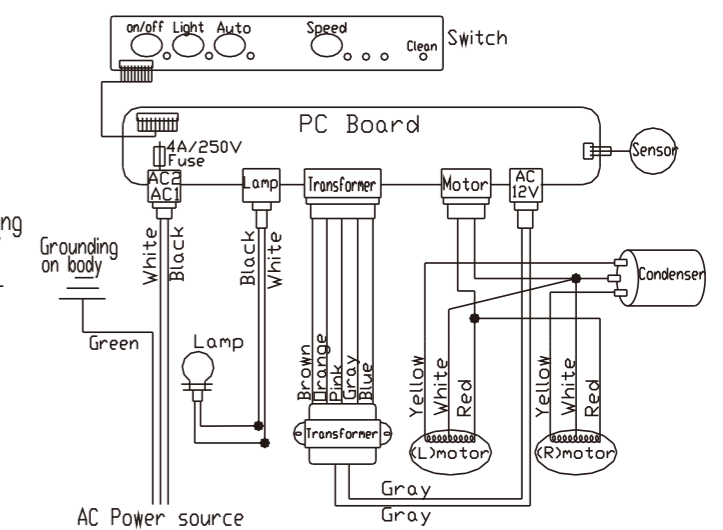


Schéma 14: Relier le cordon électrique (U2II)

(Model:U2MicroII)



(Model:U2Fuzzy)



TRUBLE SHOOTINGS

CAUTION: Disconnect the power before servicing

| STATUS | CAUSE AND METHOD OF REPAIRING |
|---|--|
| The lamp works but the motor does not run | <ol style="list-style-type: none"> a. Remove the vane guard and rotate the vane by hand. If the vane cannot move smoothly, the core or bearings of the motor may be damaged. In this case, replace with a new motor. b. If the motor stops running and has a bad odor after a moment of operation, the motor wires may be burnt out. Replace the motor. c. If the starting wire (yellow) is disengaged from the condenser, it needs to be rewired. d. If the condenser is damaged, replace with a new one. |
| Machine vibration | <ol style="list-style-type: none"> a. If the motors were not firmly screwed, screw tighten them up. b. If the vane is damaged or imbalanced, replace with a new one. |
| Bulb does not light | Just screw off the lamp shade and replace with a new bulb, then put the shade back. |
| Oil leaks from the oil collectors | <ol style="list-style-type: none"> a. When the oil collectors are 3/4 full of dirty oil, they need to be cleaned. b. Adjust the oil guiding hoses to be matched with oil collectors. |
| Unobvious fan speed change | a. If no obvious fan speed change is observed while controlling the speed switch, replace with a new transformer. |
| Extra ordinary fan noise | a. Replace with a new transformer. |

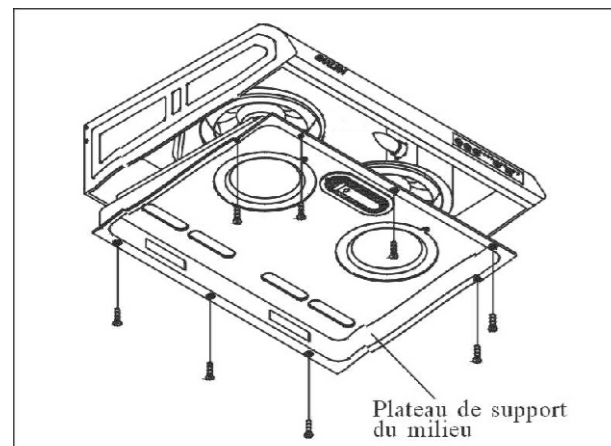


Schéma 15: Fixer le plateau de support du milieu

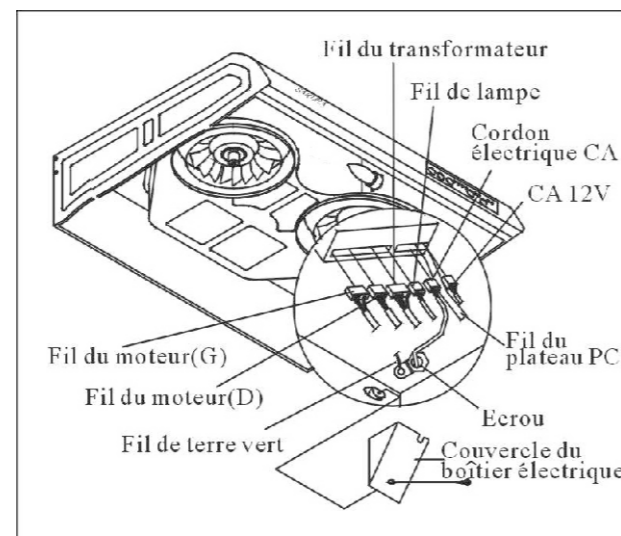


Schéma 14-1: Relier le cordon électrique (U2MicroII)

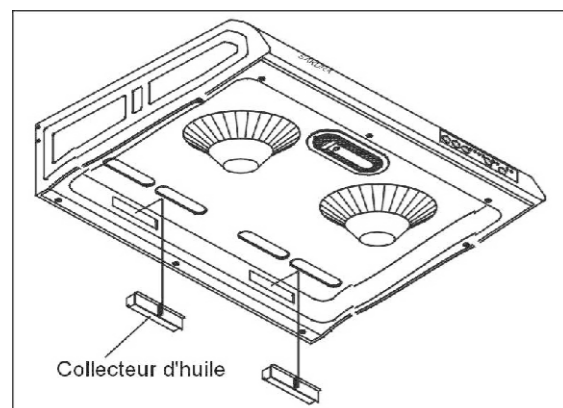


Schéma 16: Accrocher les collecteurs d'huile

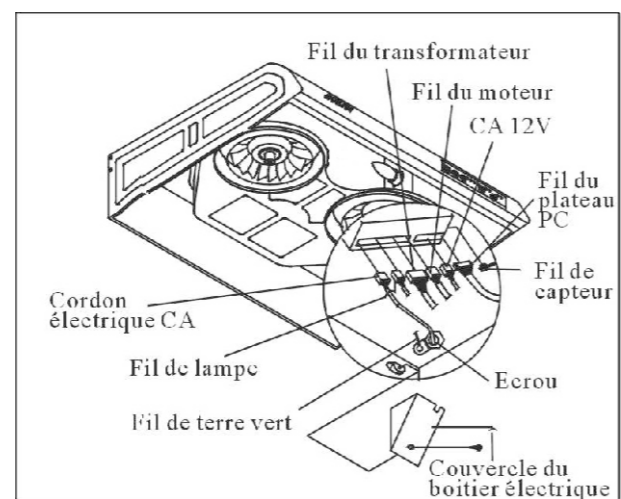


Schéma 14-2: Relier le cordon électrique (U2Fuzzy)

PREPARATION POUR L'INSTALLATION

Veillez lire attentivement les remarques ci-dessous avant d'installer votre hotte---une installation de qualité à domicile sera beaucoup plus facile si vous avez préalablement lu cette notice importante.

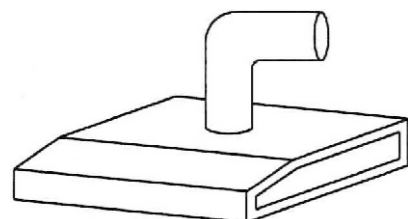
1. Il n'est pas difficile d'installer la hotte Range Hood si vous possédez un conduit d'aspiration allant vers à l'extérieur de votre maison. Vous devriez également posséder des outils appropriés pour l'utilisation durant l'installation. En général cela ne prend qu'environ 2 heures pour installer la hotte Range Hood avec un conduit et des outils appropriés.
2. Les hottes Range Hood sont disponibles sous forme d'aspirateurs arrondis ou rectangulaires pouvant être connectés ou bien au conduit d'aspiration arrondi ou rectangulaire. Veuillez vérifier votre conduit d'aspiration et les aspirateurs de votre hotte actuelle (si vous en avez une) pour déterminer lequel convient le mieux à votre situation.

(1) Pas de conduit d'aspiration :

Si vous ne possédez pas de conduit d'aspiration allant vers l'extérieur de votre maison, veuillez appeler un professionnel pour effectuer l'installation à votre place.

(2) Conduit d'aspiration arrondi :

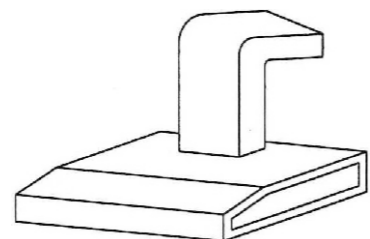
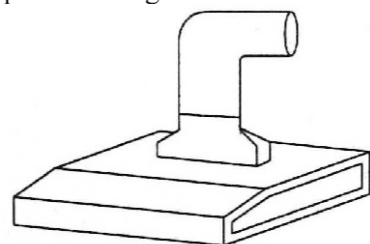
A. Aspirail arrondi-conduit d'aspiration arrondi



(3) Conduit d'aspiration rectangulaire:

C. Aspirail rectangulaire – conduit d'aspiration rectangulaire (aspirail arrière)

B. Aspirail rectangulaire – conduit d'aspiration arrondi



Remarques explicatives des figures A à C:

A. Aspirail arrondi – conduit d'aspiration arrondi:

Dans ce cas l'installation est la plus facile et le fonctionnement de la hotte est la meilleure. Veuillez mesurer la circonférence du conduit d'aspiration avec une ficelle:

- Si la circonférence est de 12 1/2'', le diamètre du conduit d'aspiration sera de 4'',
- Si la circonférence est de 15 5/16'', le diamètre du conduit d'aspiration sera de 5'',
- Si la circonférence est de 18 7/8'', le diamètre du conduit d'aspiration sera de 6'',
- Si la circonférence est de 22'', le diamètre du conduit d'aspiration sera de 7''.

L'aspirail de la hotte est d'un diamètre de 6''. Si votre conduit d'aspiration n'a pas un diamètre de 6'' vous devez acheter un conduit de connexion pour connecter le conduit d'aspiration à celui de l'aspirail. Veuillez noter que si votre conduit possède un diamètre égale ou inférieur à 4'' la performance de votre hotte en sera énormément affecté.

B. Aspirail rectangulaire – conduit d'aspiration arrondi:

Vérifiez si les conduits de connexions rectangulaires ou arrondis sont toujours utilisables. Si ils ne le sont plus nous vous recommandons d'utiliser un aspirail arrondi et de suivre les procédures indiquées en A.

C. Aspirail Rectangulaire - conduit d'aspiration rectangulaire (aspirail de dessus):

Dans ce cas aucun conduit de connexion n'est nécessaire. Il n'est toutefois pas facile de connecter un aspirail rectangulaire avec un conduit d'aspiration rectangulaire. Nous vous recommandons de faire appel à un professionnel pour effectuer l'installation.

7. Desserrez les vis sur le plateau de support du milieu avec un tournevis Philips. Enlevez le plateau de support du milieu, puis sortez le logement de câble du capteur. Après avoir relié le cordon électrique, veuillez vous assurer de bien brancher le logement du capteur dedans avant de revisser le plateau de support du milieu (Schéma 10 et 11).
8. Localisez la ventileuse de cuisine au bas du boîtier. Passez le cordon électrique au travers du bloc et sécurisez le cordon sur la hotte (Schéma 12).
9. Faites aller les quatre bouts plus larges des trous de serrure dans les quatre vis sur le boîtier, puis ajustez la hotte jusqu'à ce que les vis soient bien poussées dans la partie la plus étroite des socles. Desserrez chaque vis et augmentez de 3/16'' les rondelles ensemble (Ne vissez pas trop fort) (Schéma 13).
10. Ajustez et centrez l'emplacement de la hotte sur le boîtier, puis serrez les vis. Assurez-vous que la hotte soit bien attachée au boîtier.

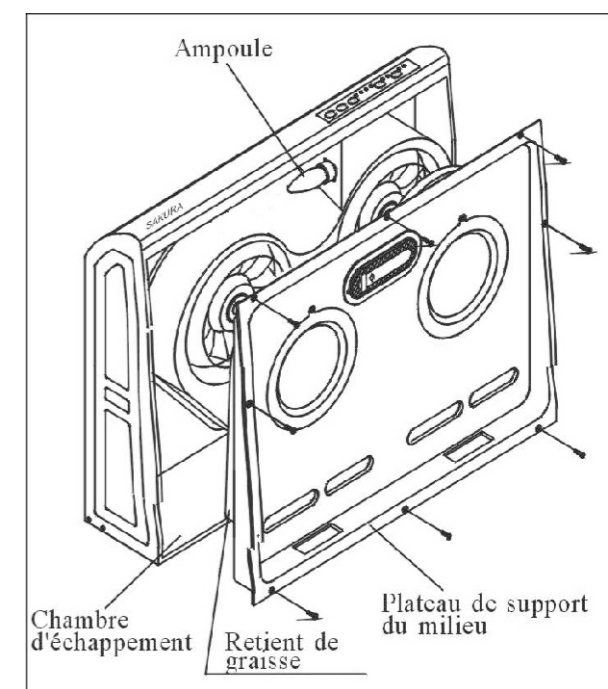


Schéma 10: Enlever le plateau de support du milieu

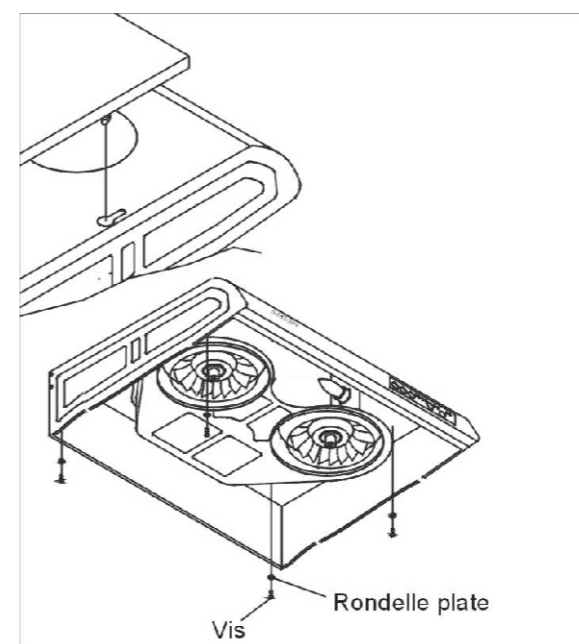


Schéma 13: Placer les socles de trou au-dessus des vis

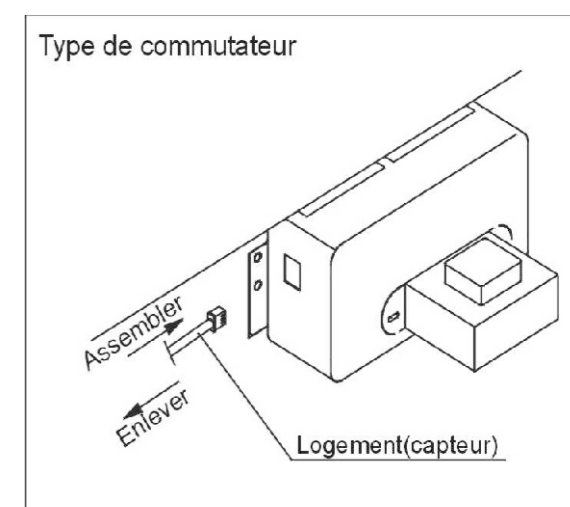


Schéma 11: Brancher le capteur du logement

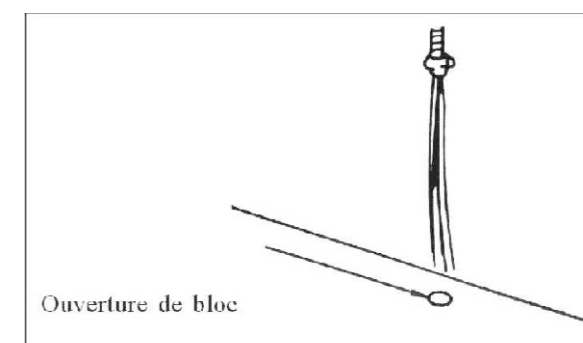


Schéma 12: Router le cordon électrique

PROCEDURES D'INSTALLATION

1. Enlevez le sommet du bloc électrique arrière selon l'emplacement du câble électrique (Schéma 5).
2. Desserrez le bloc avec un tournevis et utilisez des pinces pour sortir le bloc desserré (Schéma 5 et 6).
3. A la base du boîtier, marquez le centre des bouts les plus proches des quatre trous sur votre **Ventileuse de Cuisine**. Serrez les quatre vis en bois longues de 5/8" (3/16" de diamètre) sur le boîtier (Schéma 7).
4. Au bas du boîtier, coupez la ventilation d'échappement avec les outils appropriés.
5. Sur le boîtier, marquez la position du trou d'accès au travers duquel le cordon électrique passera. Percez le trou d'accès avec une mèche de 1-1/4" sur votre perceuse (Schéma 8).
6. Passez le cordon électrique au travers du trou d'accès percé dans le boîtier (Schéma 9).

NOTE:

1. Si le cordon électrique a été tiré depuis le mur sous la base du boîtier, vous pouvez passer la procédure de perçage du trou d'accès sur le boîtier.
2. Avertissement: Eteignez l'appareil sur le panneau de service avant d'installer le câblage.

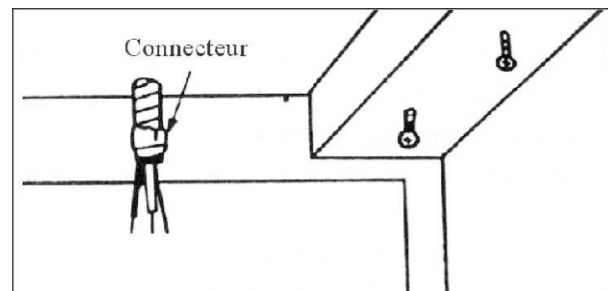


Schéma 9: Passer le cordon électrique au travers du trou d'accès

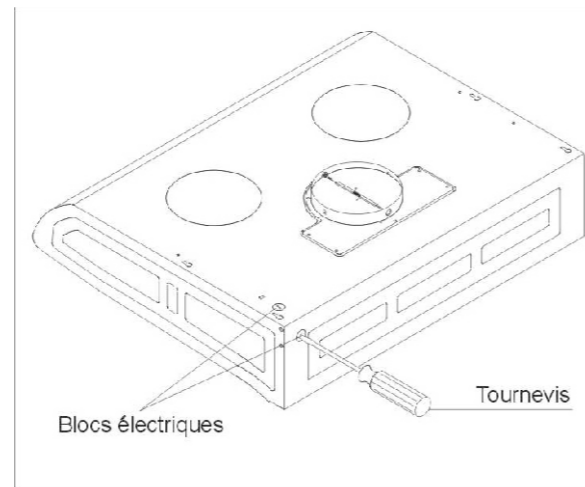


Schéma 5: Blocs électriques

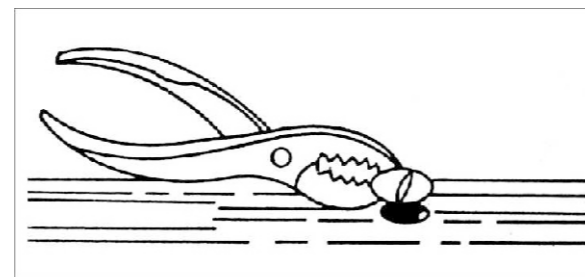


Schéma 6: Enlever les blocs électriques

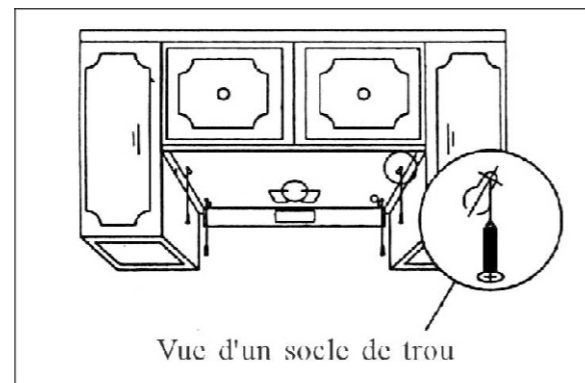


Schéma 7: Serrer les vis sur la base du boîtier

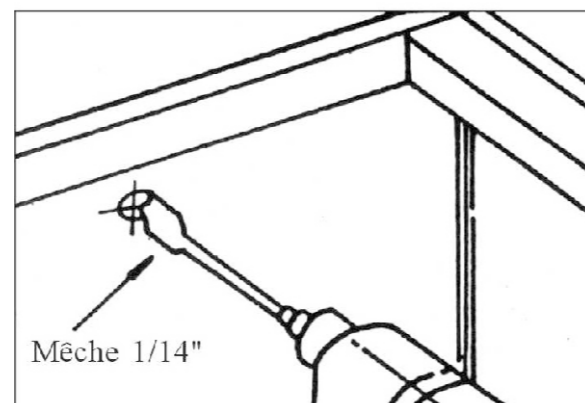
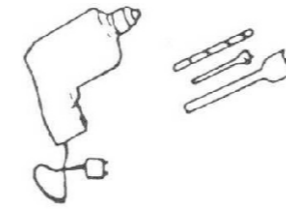


Schéma 8: Percer un trou d'accès pour la ligne électrique

3. Outils et matériaux requis



■ Une perceuse électrique avec têtes de perceuse en bois de dimensions 1-1/4" (pour percer un trou d'accès dans le cabinet pour le câble d'alimentation);

■ Tournevis philips et tournevis plat. (pour fixer les vis d'assemblage au cabinet et pour retirer les couvercles des casiers de raccordement et les plaques centrales de support);

■ Des pinces (pour ouvrir les vis électriques);

■ Un tailleur (pour couper les plaques en métal);

■ Du matériel électrique pour le raccordement;

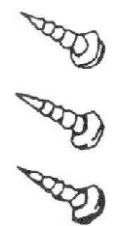
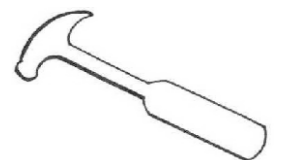
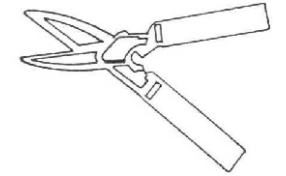
■ Ruban isolant résistant (pour raccorder l'aspirail et le conduit d'aspiration);

■ Un stylo et une règle (pour marquer les emplacements);

■ Une scie anglaise ou une scie à sabre (pour scier un aspirail approprié);

■ Un marteau (pour frapper les plaques rectangulaires en métal);

■ Trois vis de perçage (pour installer la soupape de réglage rectangulaire au dos de l'appareil);



Pièces fournies dans l'emballage.

1. Vis en bois 3/16" x 5/8" L – 4 pcs
2. Laveur plat 3/16" - 4 pcs
3. Connecteur de vis – 3 pcs

- ★ 4. Soupape Rectangulaire – 1 pc
- ★ 5. Couvercle arrondi – 1 pc

★ Ces parties sont optionnelles pour l'installation.

**INSTRUCTION DE SECURITE IMPORTANTES ‘ LIRE ET GARDER CES INSTRUCTIONS ‘
LIRE TOUTES LES INSTRUCTIONS AVANT TOUTE UTILISATION DE VOTRE HOTTE**

1. Assurez-vous que l'alimentation soit bien coupée avant d'installer, de brancher ou d'effectuer un entretien.
2. Consuvez toujours votre Ventiluse de Cuisine propre.
3. Pour obtenir la meilleure performance possible, la clairance verticale entre la cuisinière et votre Ventiluse de Cuisine doit se situer entre 24" et 32".
4. Conservez toujours la conduite propre pour avoir un flux d'air correcte.
5. Veuillez consulter l'étiquette des spécifications sur le produit pour de plus amples informations.
6. Lorsque l'indicateur "Nettoyer" est allumé, utilisez un détergent neutre pour nettoyer la surface du capteur au centre du plateau de support. Pressez et maintenez le bouton "Auto" pendant 3 secondes pour éteindre la lumière après le nettoyage.
7. **PRECAUTION:** Pour réduire le risque d'incendie et expulser correctement l'air, assurez-vous de bien diriger l'air vers l'extérieur — Ne ventilez pas l'air dans des endroits avec juste des murs ou un plafond ou dans un grenier, des espaces rampants ou dans un garage.
8. **AVERTISSEMENT:** Pour réduire le risque d'incendie ou d'électrocution, n'utilisez pas ce ventilateur avec un appareil de contrôle de vitesse statique solide.
9. **AVERTISSEMENT: POUR REDUIRE LE RISQUE D'INCENDIE, D'ELECTROCUTION OU DE BLESSURE CORPORELLE FAITES COMME SUIV:**
 - a) Utilisez cette unité uniquement de la manière prévue par le fabricant. Si vous avez des questions, veuillez contacter le fabricant.
 - b) Avant de réparer ou nettoyer cette unité, éteignez-la depuis le panneau de service et verrouillez ce panneau pour éviter tout allumage accidentel. Lorsque le panneau de service ne peut pas être verrouillé, serrez un système d'alerte saillant, du genre languette, sur le panneau de service.
 - c) Le travail d'installation et le câblage électrique doivent être effectués par une personne qualifiée selon tous les codes et normes applicables, y compris "Fire-Rated Construction".
 - d) De l'air suffisant est requis pour une combustion et une expulsion correctes des gaz via la conduite (ou cheminée) de l'équipement de brûlure du carburant pour éviter tout retour. Respectez les directives du fabricant de l'équipement de combustion ainsi que les normes de sécurité, du genre de celles publiées par l'Association Nationale pour la Protection Contre les Incendies (NFPA), la Société Américaine pour les Ingénieurs en Chauffage, Réfrigération et Climatisation (ASHRAE) mais aussi par les autorités du code local.
 - e) En coupant ou perçant dans un mur ou un plafond, n'endommagez jamais le câblage électrique ou tout autre utilitaire caché.
 - f) Les ventilateurs de conduite doivent toujours être ventilés vers l'extérieur.
10. **PRECAUTION:** N'est destiné qu'à une utilisation générale de ventilation. N'utilisez jamais pour expulser des matériaux explosifs ou des vapeurs dangereuses.
11. **AVERTISSEMENT: POUR REDUIRE LE RISQUE D'UN INCENDIE HUILEUX:**
 - g) Nettoyez souvent les ventilateurs. La graisse ne doit jamais s'accumuler sur les hélices ou le filtre.
 - h) Allumez toujours votre Ventiluse de Cuisine en cuisinant à haute température ou avec des flammes.
 - i) Ne laissez jamais les unités de surface sans surveillance à haute température. Les ébullitions risquent de provoquer de la fumée et un débordement de graisse mettant à feu et se répandre en utilisant votre Ventiluse de Cuisine. Chauffez l'huile doucement ou à feu petit ou moyen.
 - j) Ne laissez votre Ventiluse de Cuisine sans surveillance en cuisinant.
 - k) Utilisez une casserole d'une taille correcte. Utilisez toujours un matériel de cuisson approprié pour la taille de l'élément de surface.
12. **AVERTISSEMENT: POUR REDUIRE LE RISQUE DE BLESSURE CORPORELLE EN CAS D'INCENDIE HUILEUX SUR VOTRE VENTILEUSE DE CUISINE, FAITES COMME SUIV:**
 - l) **RAPETISSEZ LES FLAMMES** avec un couvercle de cuisson, une plaque à gâteaux ou toute autre plaque en métal et éteignez de suite les brûleurs. **EVACUEZ ET APPELEZ UN SERVICE DES POMPIERS.**
 - m) **NE PRENEZ JAMAIS UNE CASSEROLE ENFLAMMEE**, vous risqueriez de vous brûler.
 - n) **N'UTILISEZ JAMAIS DE L'EAU**, y compris les torchons humides ou les serviettes, car une explosion de vapeur risque de se produire.
 - o) N'utilisez un extincteur que si:
 - 1) Vous savez qu vous possédez un extincteur de Catégorie ABC et aussi comment l'opérer.
 - 2) Le feu est de petite taille et est contenu dans la zone où il a commencé.
 - 3) Si on a appelé le service des pompiers.
 - 4) Vous êtes en mesure de combattre le feu avec une porte de sortie dans votre dos.
13. **AVERTISSEMENT:** Pour réduire le risque d'incendie, n'utilisez que des matériaux en métal.
14. Lors de la première activation de la Machine de fonte chaude à huile ou lors de la réactivation après une coupure électrique, veuillez attendre 2 minutes avant de presser à nouveau le bouton Marche/Arrêt.
15. Pour employer le changement du mode de fonte durant l'opération, veuillez patienter plus de 5 secondes avant d'effectuer le changement.
16. En utilisant la fonction de nettoyage thermo-électrique de l'huile, la température en surface est élevée, veuillez éviter d'entrer au contact.

**PREPAREZ VOTRE ASPIRAIL AVANT L'INSTALLATION
DE LA HOTTE RANGE HOOD**

1. Dimensions
(Schéma 1)

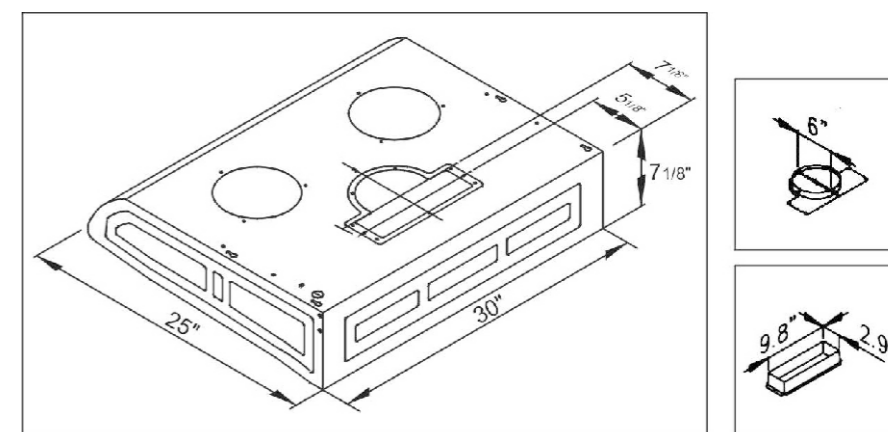


Schéma 1: Détails des dimensions

2. Disponible dans deux genres de ventilation d'échappement différents:
 - (1) Pour une ventilation ronde (type standard), veuillez connecter la conduite d'échappement 6" sur la ventilation ronde de la machine.
 - (2) Pour une ventilation rectangulaire sur le sommet, veuillez suivre les procédures ci-dessous:
 - (a) Sortez l'assemblage de l'amortisseur rond depuis le sommet (Schéma 2).
 - (b) Coupez le plateau du couvercle rond en deux moitiés. Vissez ensuite la Partie A avec des vis aux dimensions 5/16"L x 5/32" Dia sur les deux côtés. (Schéma 3).
 - (c) Placez et vissez l'amortisseur rectangulaire avec des vis aux dimensions 5/16"L x 5/32" Dia. (Schéma 4).

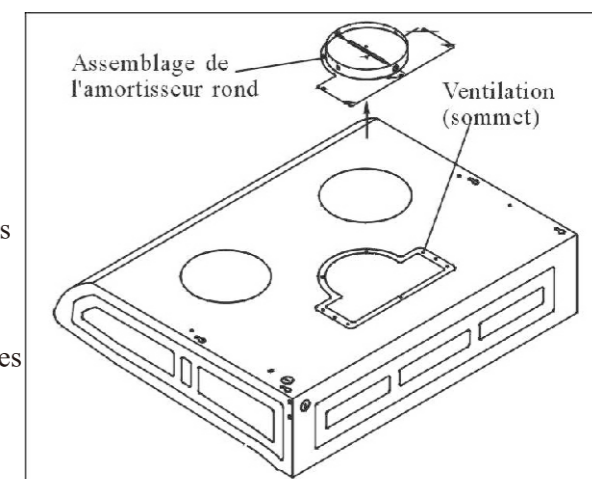


Schéma 2: Sortir l'assemblage de l'amortisseur rond

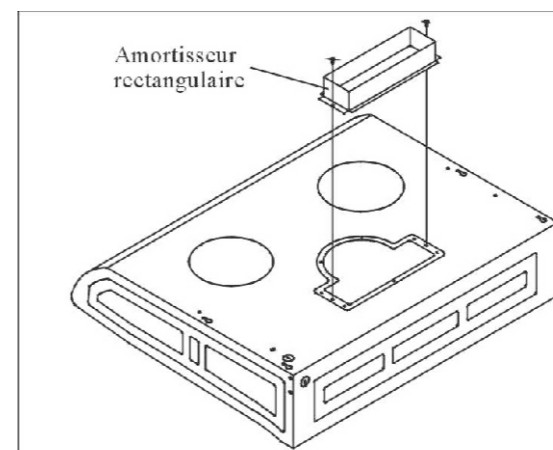


Schéma 4: Placer et visser l'amortisseur rectangulaire

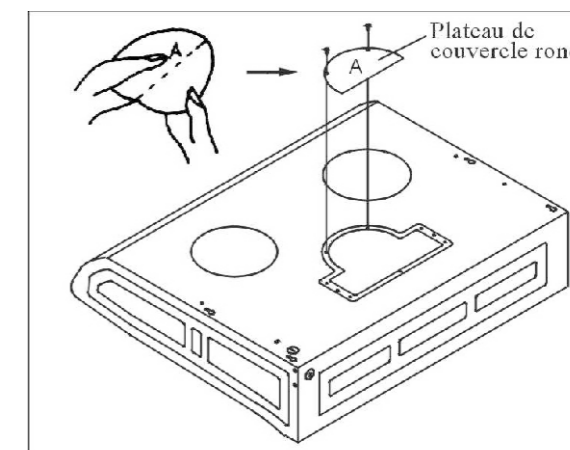


Schéma 3: Placer le plateau de couvercle rond