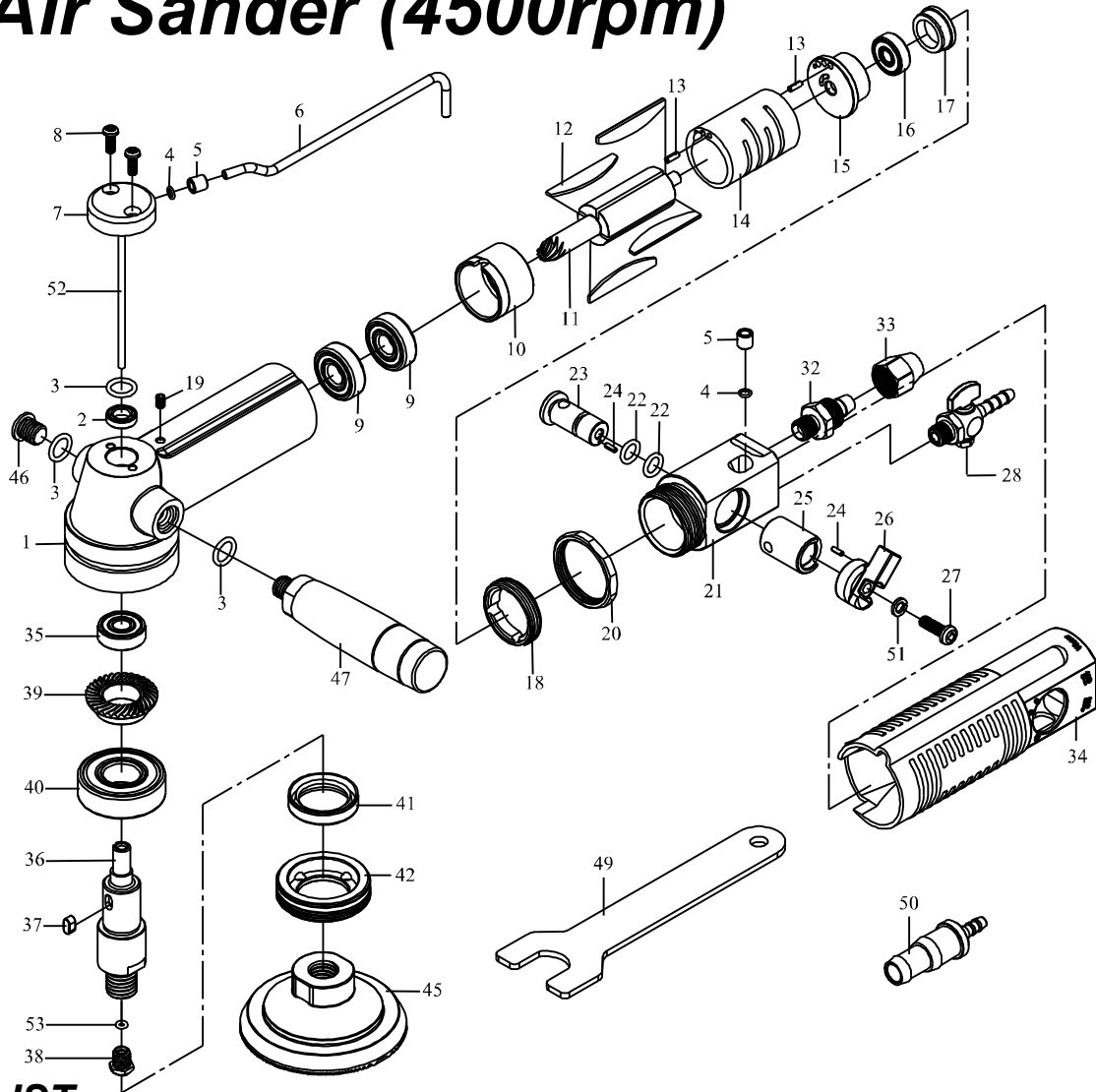


# Wet Air Sander (4500rpm)



## PARTS LIST

☛: Consuming Parts

Item No.	Part No.	Description	Qty.	Item No.	Part No.	Description	Qty.
1	7W001	Main Body	1	☛26	7W016	Shifting Knob	1
☛2	SG009	Oil Seal	1	27	MC008	Locking Screw	1
3	OR006	O-Ring	3	28	7W019S	Water Cock	1
4	OR044	O-Ring	2	32	7W042	Air Inlet Nozzle	1
5	7W013-2	Brass Cover	2	33	7W043	Hose Adaptor	1
6	7W020	Water Inlet Tube	1	34	7W021	Rubber Glue	1
7	7W023	Water Inlet Transfer Pos	1	☛35	B608LLU	Bearing	1
8	MC007	Screw	2	36	7W027D	Main Shaft (5/8")	1
☛9	B6000LLU	Bearing	2		7W027E	Main Shaft (M14)	
10	7W004	Cylinder Cap	1	37	KC003	Locking Key	1
☛11	7W006	Rotor	1	38	829055W	Water Exit	1
☛12	7W007	Blade	4	39	7W029	Spiral Gear	1
13	SP014	Spring Pin	2	☛40	B6203LLU	Bearing	1
14	7W005	Cylinder	1	41	SG011-1	Oil Sealer	1
15	7W008	Rear Cylinder Cap	1	42	7W033	Locking Screw Cap	1
☛16	B626LLU	Bearing	1	45	7W037	3" Sanding Pad	1
17	7W010	Dust-Proof Plug	1		7W037-1	4" Sanding Pad	
18	7W011	Locking Cap	1	46	7W040	Plug	1
19	MS010	Screw	1	47	7W038	Handle	1
20	7W012	Locking Ring	1	49	829048	Stop Spanner	1
21	7W013	Shifting Post	1	50	7W019-1	Water Valve	1
22	OR030	O-Ring	2	51	SPW5	Spring Washer	1
23	7W014	Air Plunger	1	52	218035	Pipe	1
24	SP033	Spring Pin	2	53	OR052	O-Ring	1
25	7W013-1	Bush	1				