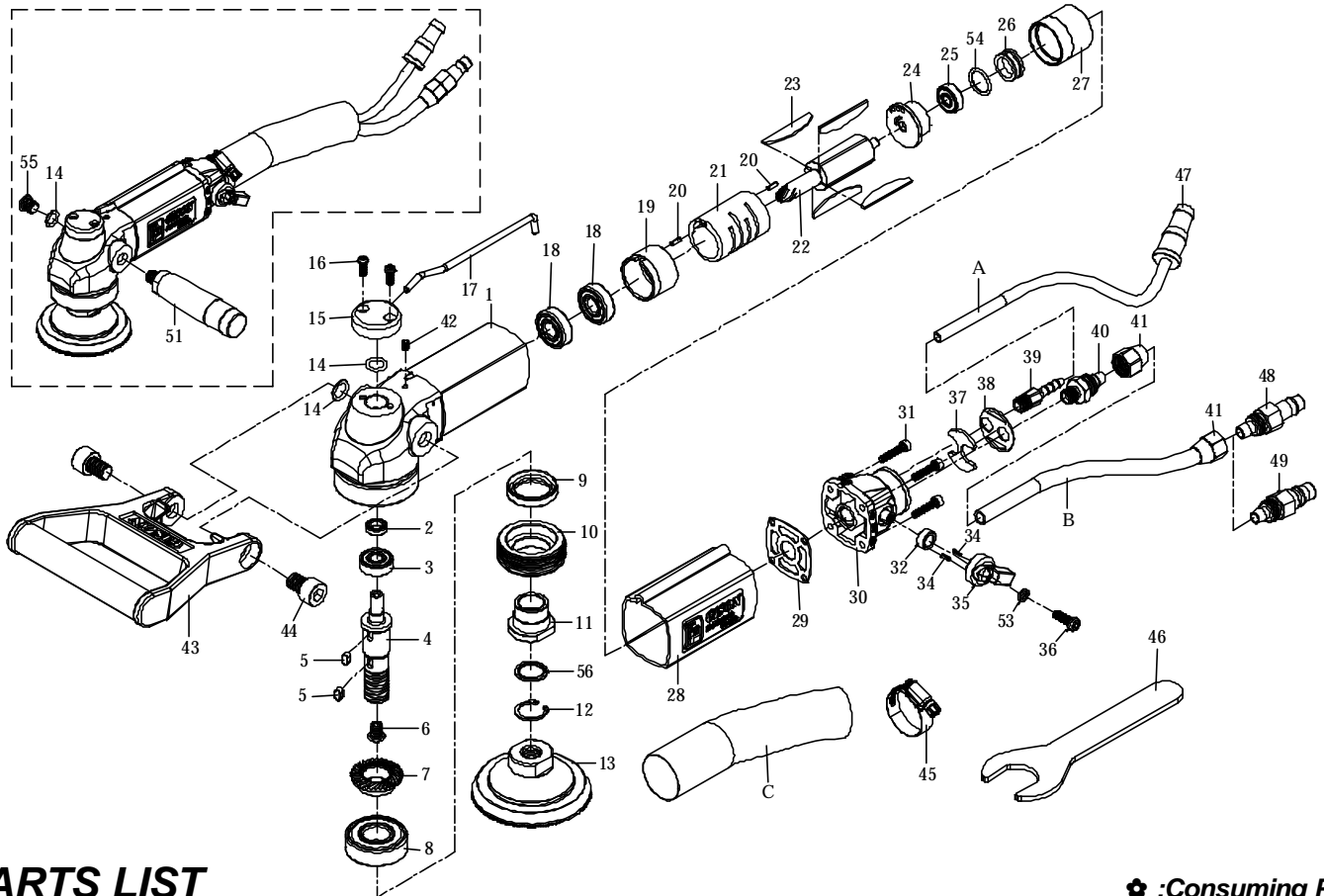


吉生 GISON

GPW-218 Pneumatic Waterfed Sander



PARTS LIST

✳ :Consuming Part

Item No.	Part No.	Description	Qty.	Item No.	Part No.	Description	Qty.
1	218001	Body	1	28	218004	Rubber Sleeve	1
✳ 2	SG009	Oil Seal	1	29	218018	Gasket	1
✳ 3	B608LLU	Bearing	1	30	218002	Exhaust Plate Set	1
4	5W027	Main Shaft (5/8")	1	31	CAP020	Cap Screw	4
	5W027A	Main Shaft (M14)		32	218016	Bushing	1
	5W027B	Main Shaft (M16)		34	SP033	Spring Pin	2
5	KC003	Locking Key	2	35	5W016	Shifting Knob	1
6	829055W	Water Exit	1	36	MC008	Cap Screw	1
✳ 7	5W029	Spiral Gear	1	37	218010	Muffler Gasket	1
✳ 8	B6203LLU	Bearing	1	38	218009	Fixed Plate	1
✳ 9	SG011-1	Oil Seal	1	39	218011	Water Valve	1
10	218006	Locking Screw Cap	1	40	5W042	Air Inlet Nozzle	1
11	218008	Locking Gasket	1	41	5W043	Hose Adaptor	2
12	R20	Retaining Ring	1	42	MS010	Set Screw	1
✳ 13	5W037	Sanding Pad	1	43	218005	C Handle	1
14	OR006	O-Ring	2	44	CAP027	Screw	2
15	5W023	Water Inlet Transfer Pos	1	45	218022	Retainer Ring	1
16	MC007	Screw	2	46	5W041	Open Spanner	1
17	218003	Water Inlet Tube	1	47	5W019-1	Water Valve	1
18	B6000LLU	Bearing	2	48	218019	Quick Joint (PT19)	1
19	5W004	Cylinder Cap	1	49	218020	Quick Joint (NPT18)	1
✳ 20	SP014	Spring Pin	2	51	5W038	Side Handle	1
21	5W005	Cylinder	1	53	SPW5	Spring Washer	1
22	5W006	Rotor	1	54	OR042	O-Ring	1
✳ 23	5W007	Blade	4	55	5W040	Cap Screw	1
✳ 24	5W008	Rear Cylinder Cap	1	56	R40056	Washer	1
✳ 25	B626LLU	Bearing	1	A	R40056	Water Hose	1
26	5W010	Dust-Proof Plug	1	B	R40057	Air Inlet Tube	1
27	218017	Cylinder Bushing	1	C	R40058	Air Exhaust Tube	1