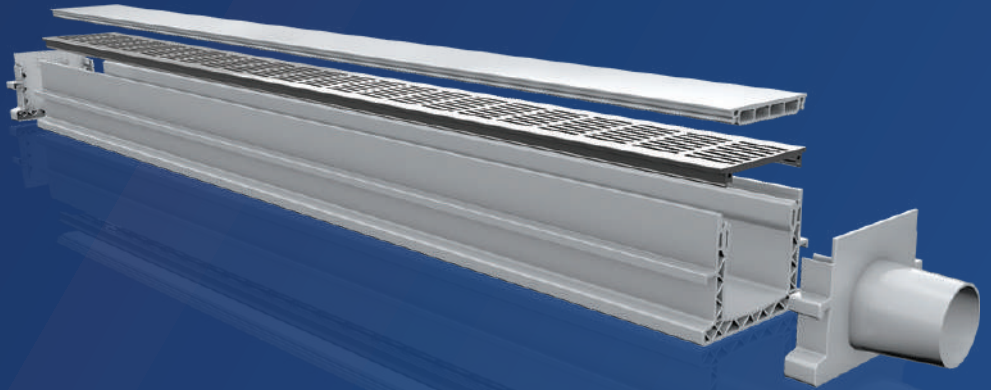




ULTRA
CORPORATION PTY. LTD.

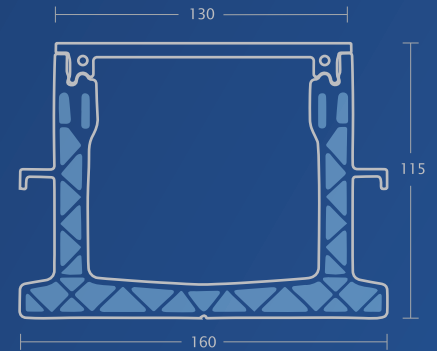


ULTRA DRAIN PLUS 130

Horizontal Top Standard / Honeycomb on Indent

The UDP130 is the Maestro of our Ultra Drain range to date. A great product for the architect or specifier to recommend with 100% confidence knowing that many years of research and development has gone into developing the new Ultra Drain Plus range.

This product has been specifically designed to be used where robustness is required and yet maintaining a very high visual appearance combined with a large water flow of 875L/M still being achieved.



Water Flow 875 L/M
Open End Discharge 0.5 Fall to Cesspit

Parts & Fittings

-
- ① End Outlet
 - ② Bottom Outlet
 - ③ Right Angle Corner
 - ④ End Cap
 - ⑤ Joiner
 - ⑥ Side Outlet
 - ⑦ Construction Cover

WIDTH			HEIGHT	PIPE SIZES	
I.D.	O.D.	OVERALL O.D.		PARTS	O.D.
100mm	130mm	160mm	115mm	End & Side Outlet	69mm
				Bottom Outlet	82mm

