

GRATES 2GO AUSTRALIA

COMMERCIAL AND DOMESTIC DRAINAGE PRODUCT RANGE

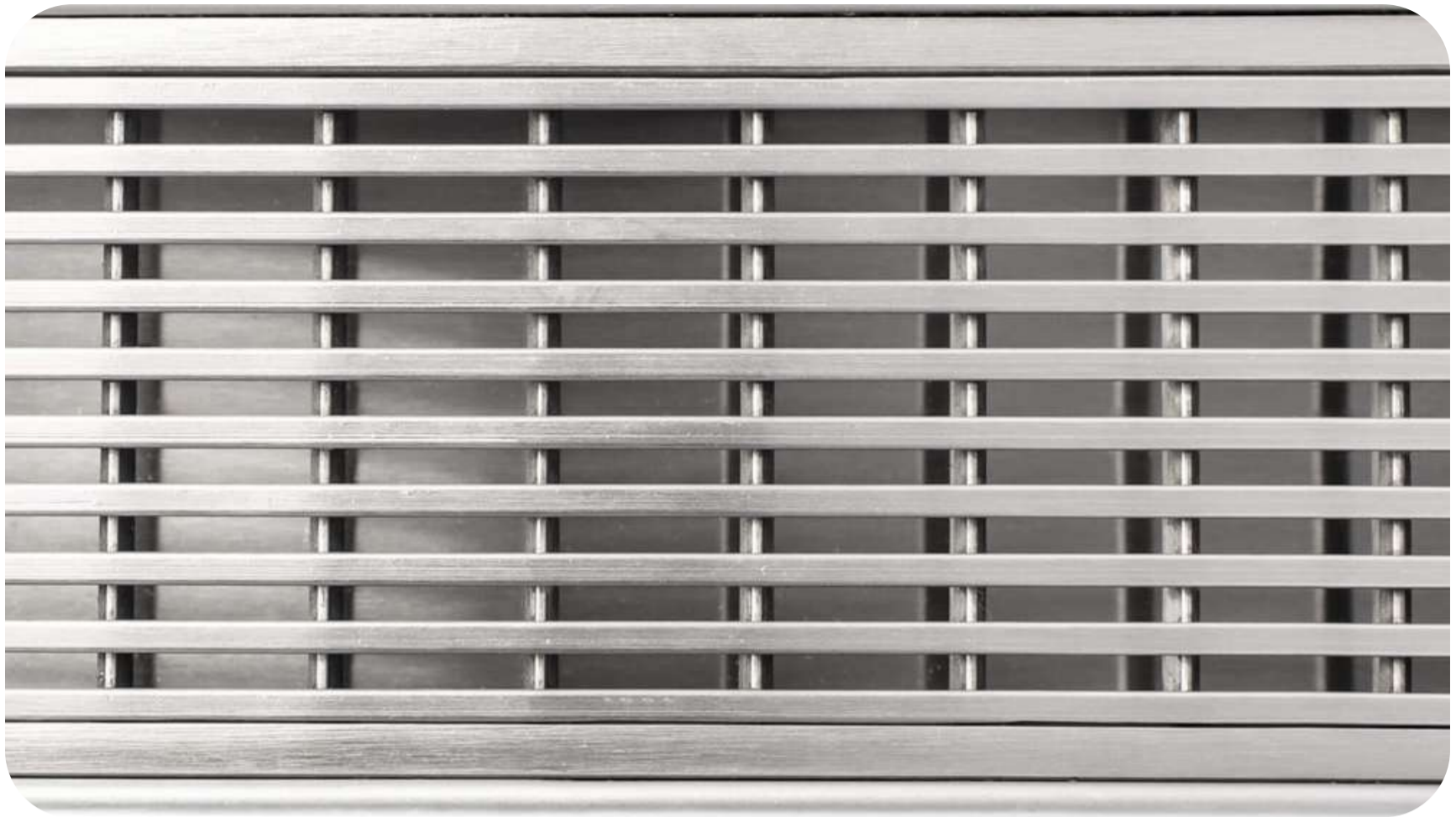


STAINLESS STEEL DRAINAGE



Bespoke stainless steel grates & channels, made to your specifications. We understand that no two jobs are the same, so ordering directly from the manufacturer enables you to get the exact widths, depths and lengths required for your specific project.

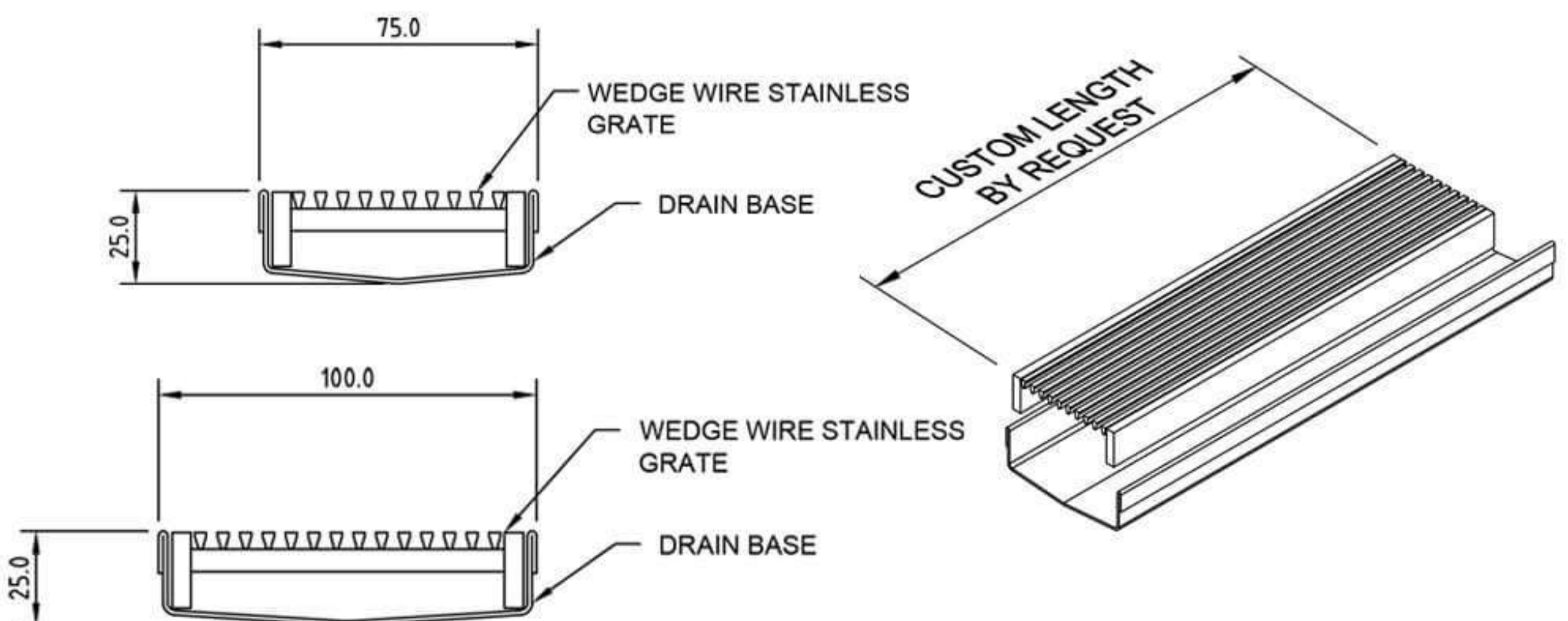
Our made to measure stainless steel drains are offered in standard widths of 100mm and 75mm, plus the option to customise the width to your specification. Being the most common sizes, we have these channels pre-folded in stock to get them to you faster and at the most affordable price. This gives you the freedom of a custom length, outlet size and position without a custom order lead time.



PRODUCT CODE: G2GWW75 | G2GWW100

WEDGE WIRE GRATE & CHANNEL

- Width: 75mm, 100mm
- Depth: 25mm
- Length: Custom
- Outlet Sizes: 38mm, 44mm, 51mm, 63mm, 76mm, 85mm
- Outlet Position: Custom
- Material: 316 grade stainless steel

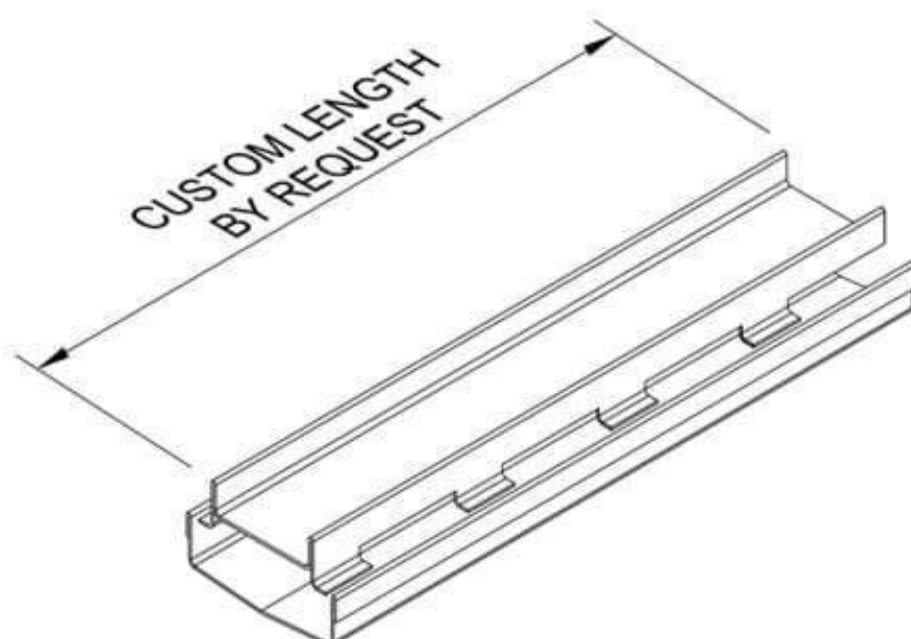
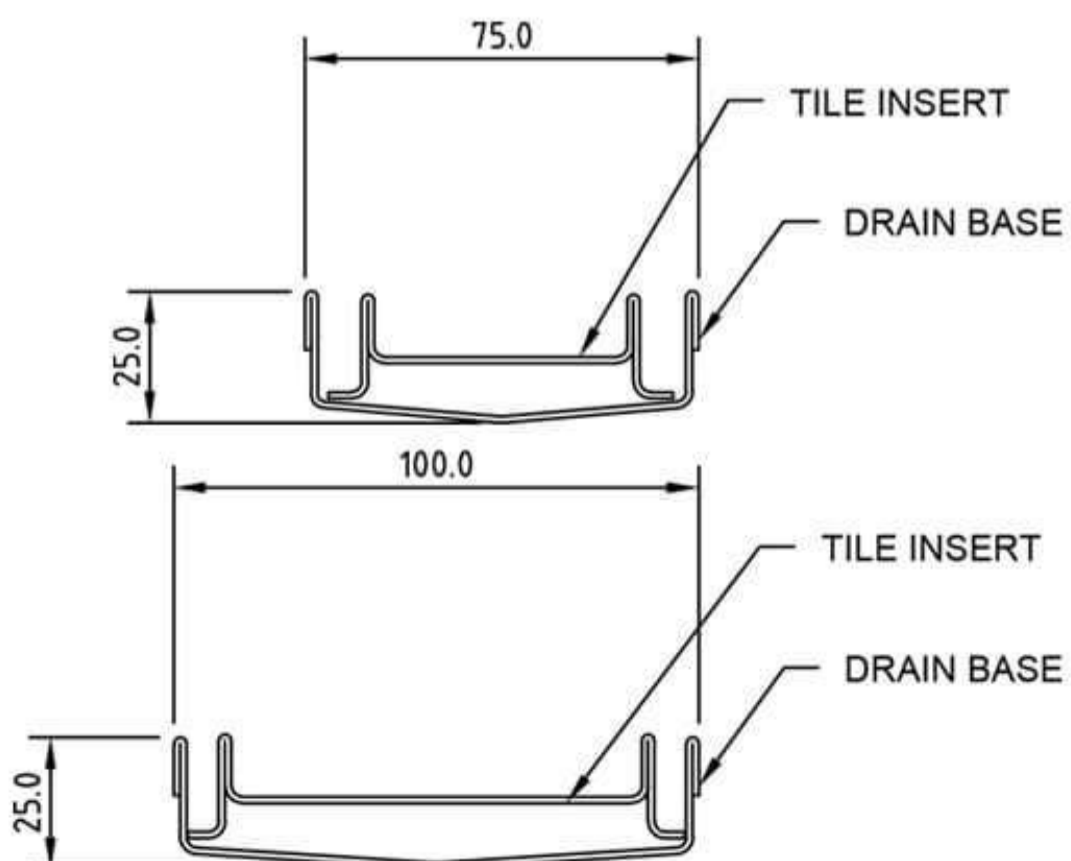


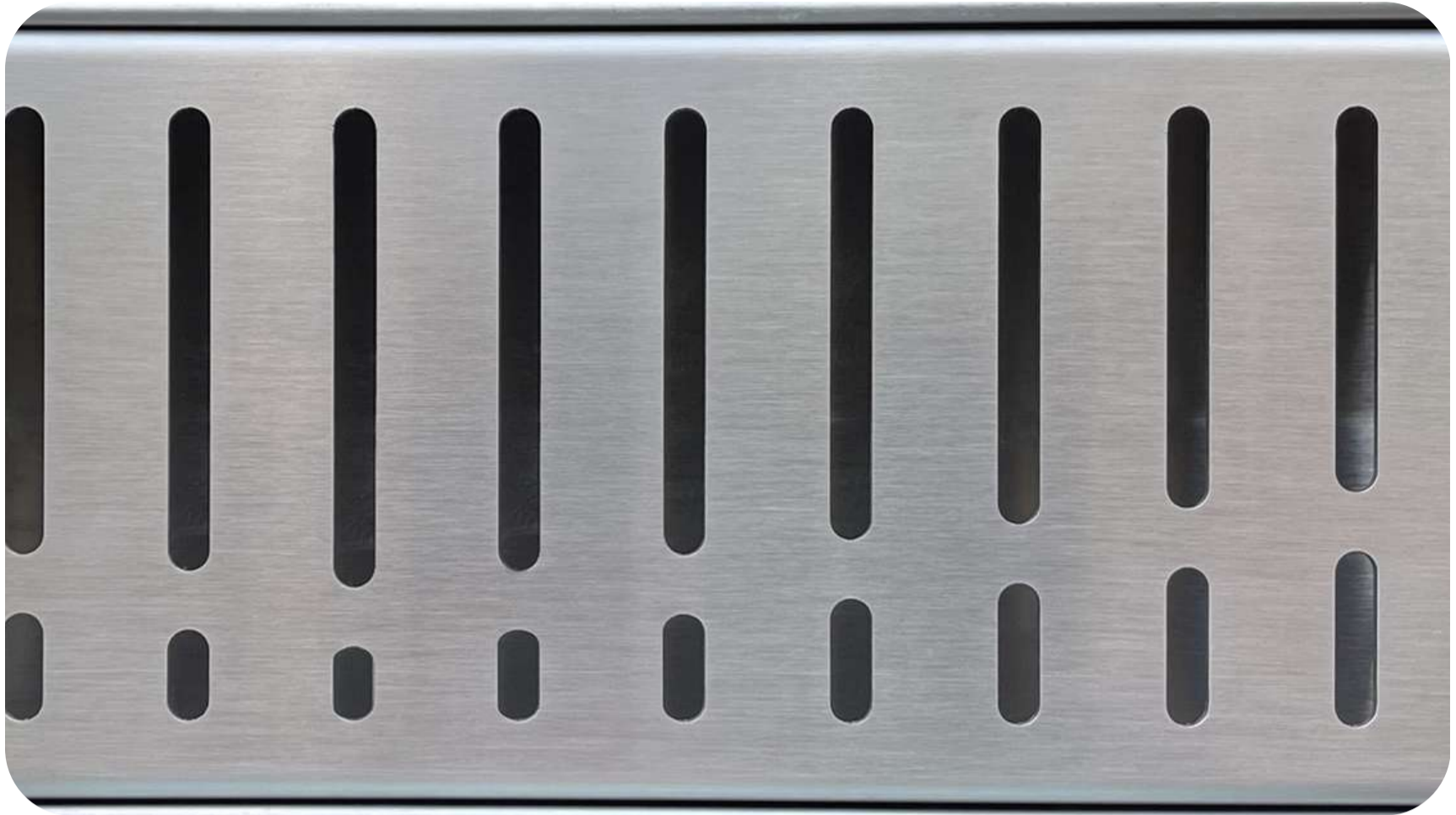


PRODUCT CODE: G2GTI75 | G2GTI100

TILE INSERT CHANNEL

Width:	75mm, 100mm
Depth:	25mm (35mm available in 100mm width)
Length:	Custom
Outlet Sizes:	38mm, 44mm, 51mm, 63mm, 76mm, 85mm
Outlet Position:	Custom
Material:	316 grade stainless steel

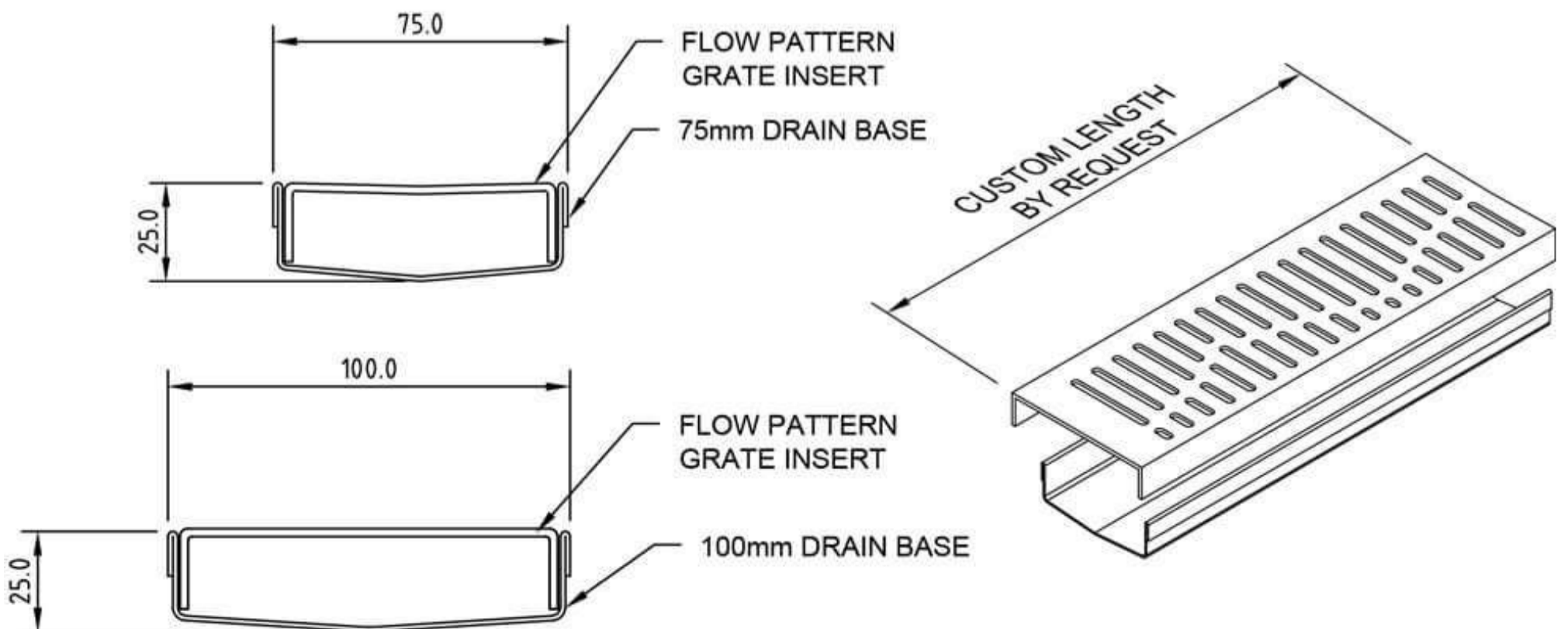


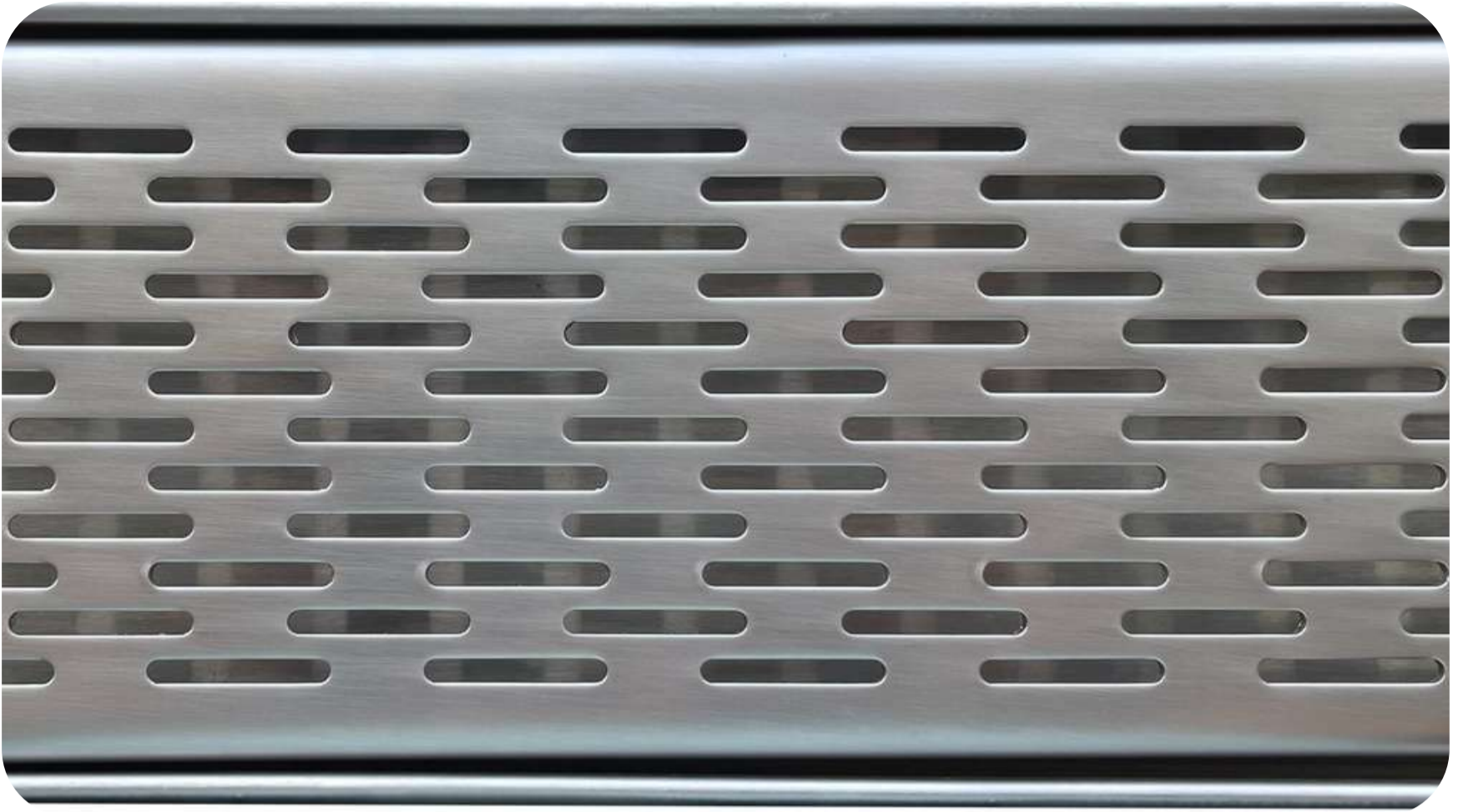


PRODUCT CODE: G2GFP75 | G2GFP100

FLOW PATTERN GRATE & CHANNEL

Width:	75mm, 100mm
Depth:	25mm
Length:	Custom
Outlet Sizes:	38mm, 44mm, 51mm, 63mm, 76mm, 85mm
Outlet Position:	Custom
Material:	316 grade stainless steel

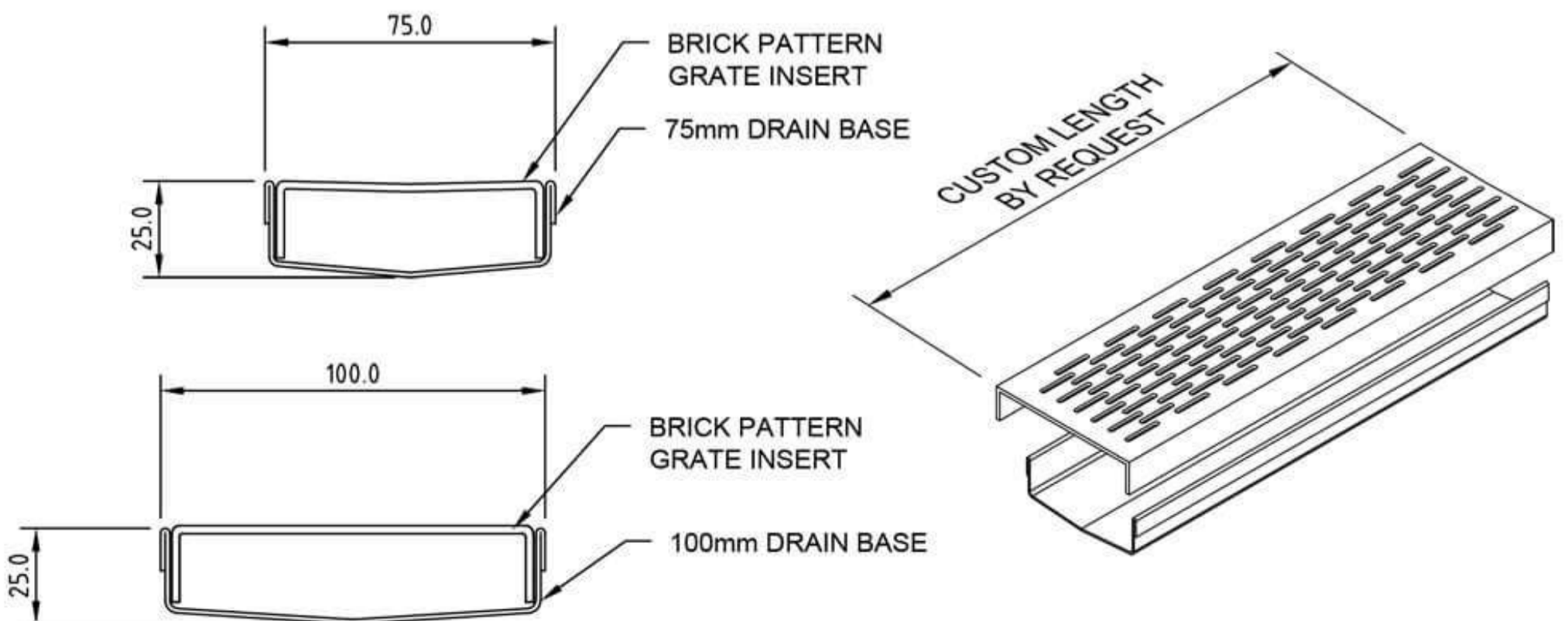




PRODUCT CODE: G2GBP75 | G2GBP100

BRICK PATTERN GRATE & CHANNEL

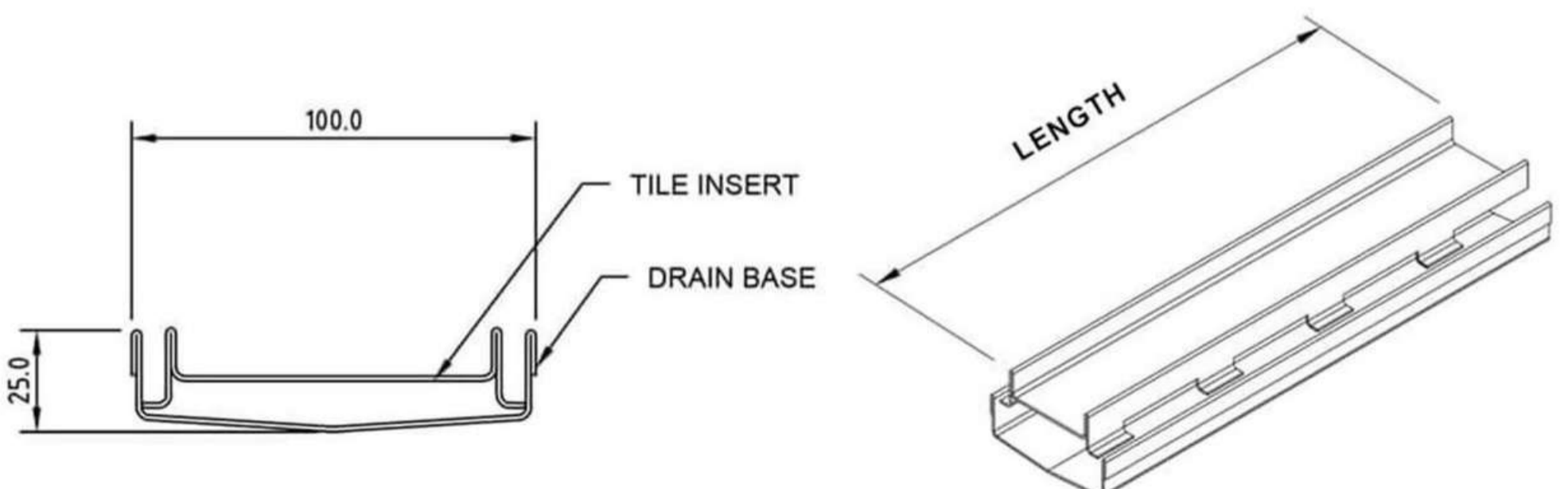
- Width: 75mm, 100mm
- Depth: 25mm
- Length: Custom
- Outlet Sizes: 38mm, 44mm, 51mm, 63mm, 76mm, 85mm
- Outlet Position: Custom
- Material: 316 grade stainless steel





TILE INSERT DRAIN & ADJUSTABLE SPIGOT

Width: 100mm
Depth: 25mm
Length: 900mm, 1000mm, 1200mm
Outlet Sizes: 44mm, 51mm, 63mm, 76mm, 85mm
Material: 316 grade stainless steel





CHANNEL DRAIN SPIGOTS

Width: 100mm

Depth: 25mm

Outlet Sizes: 44mm, 51mm, 63mm, 76mm,
85mm

Material: 316 grade stainless steel

THE PREMIUM COLLECTION



Introducing the Premium Collection. The gold standard in luxury linear drainage that's custom made to be the perfect fit for your project. Clean, modern lines with a selection of deluxe finishes, to coordinate with your fixtures and fittings for a truly impressive result.

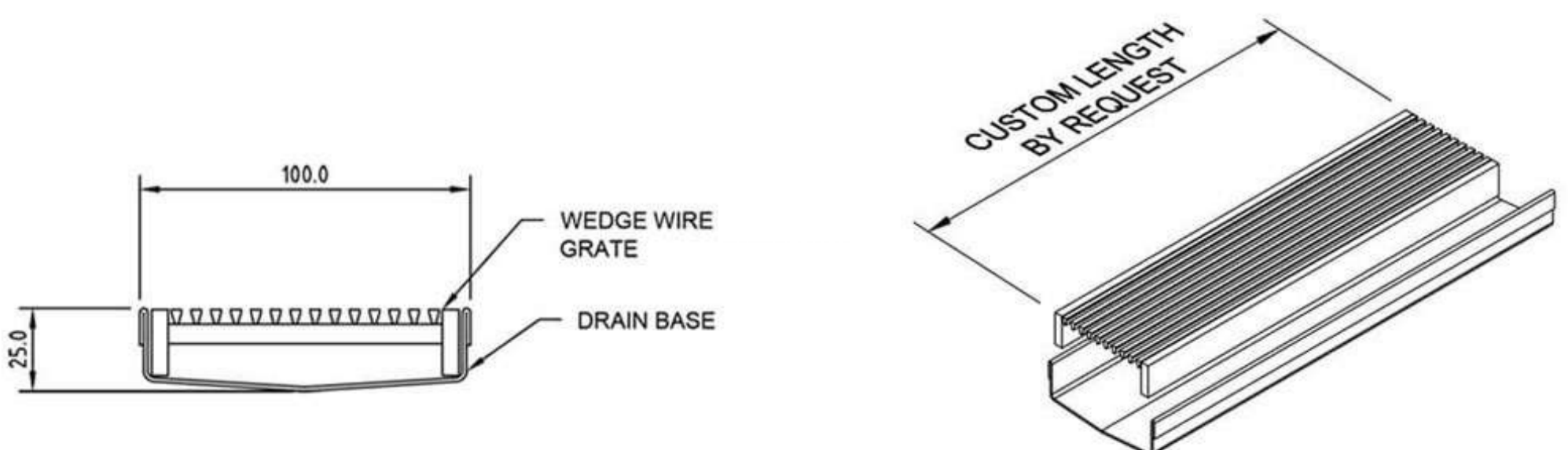
The natural brass grate and channel drains are strong, durable and beautiful. The ultimate in luxury. If an ultra modern look is more your style, you can't go past the matte black drainage collection. A subtle and timeless statement piece. Or for a stunning shine, our polished bathroom drainage. The look or chrome with the strength and durability of stainless steel.



PRODUCT CODE: G2GWW100NB

BRASS WEDGE WIRE GRATE & CHANNEL

Width: 100mm
Depth: 25mm
Length: Custom
Outlet Sizes: 38mm, 44mm, 51mm, 63mm, 76mm, 85mm
Outlet Position: Custom
Material: Stainless steel electroplated in natural brass

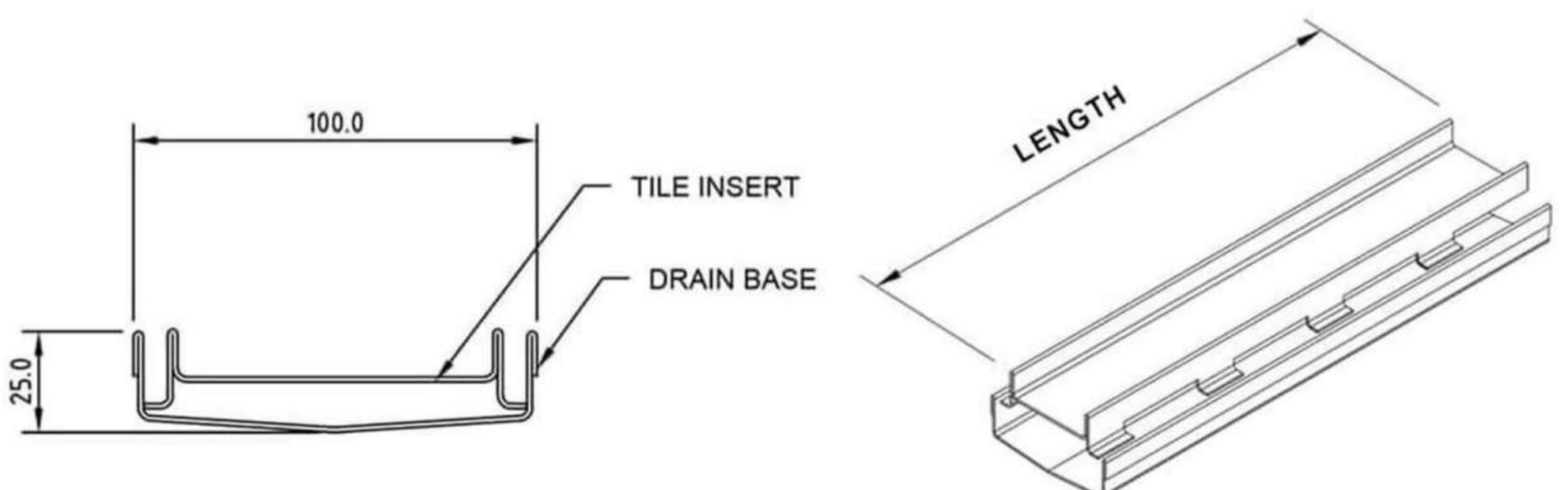


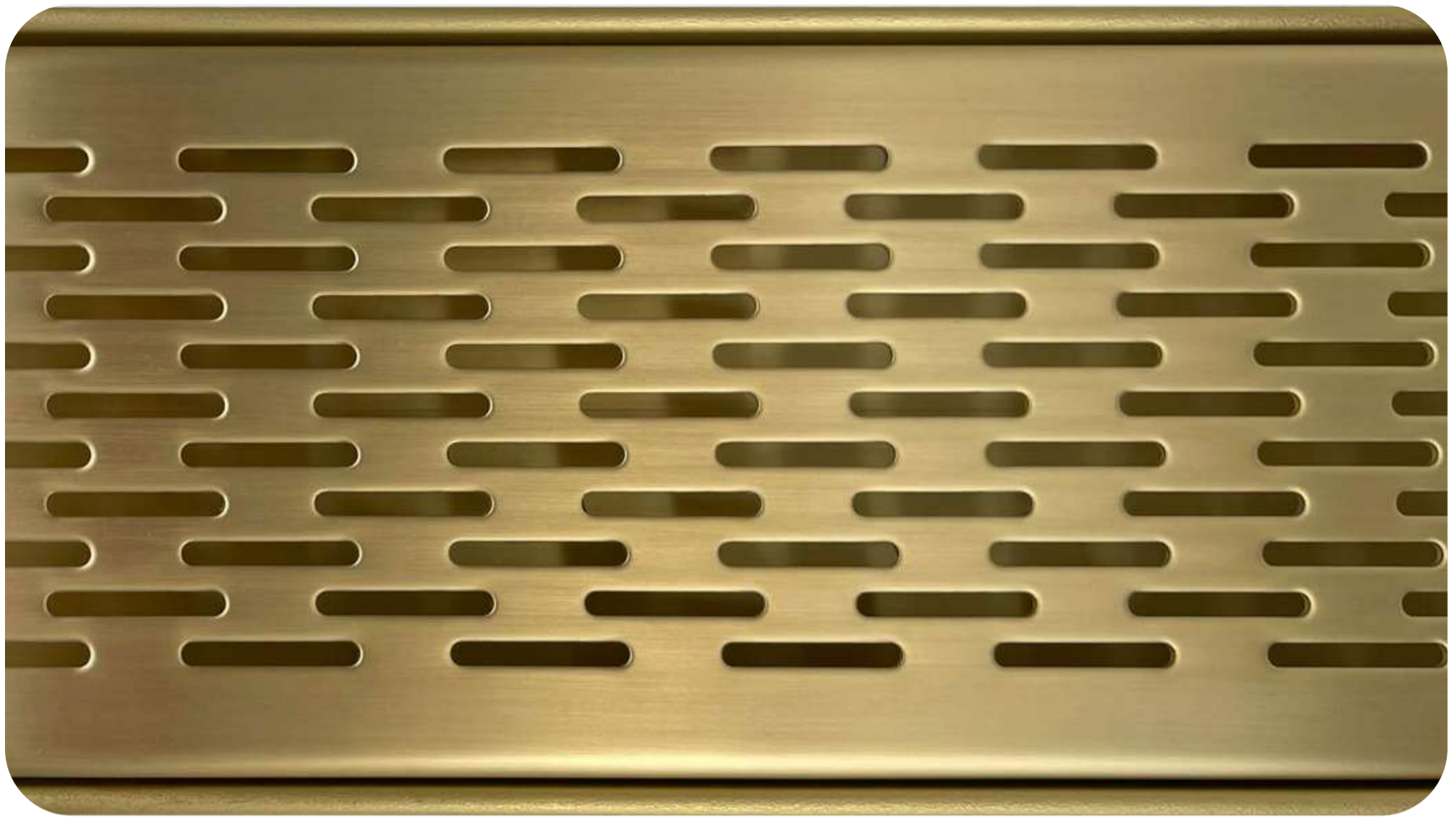


PRODUCT CODE: G2GTI100NB

BRASS TILE INSERT CHANNEL

Width:	100mm
Depth:	25mm (extra deep 35mm also available)
Length:	Custom
Outlet Sizes:	38mm, 44mm, 51mm, 63mm, 76mm, 85mm
Outlet Position:	Custom
Material:	Natural brass

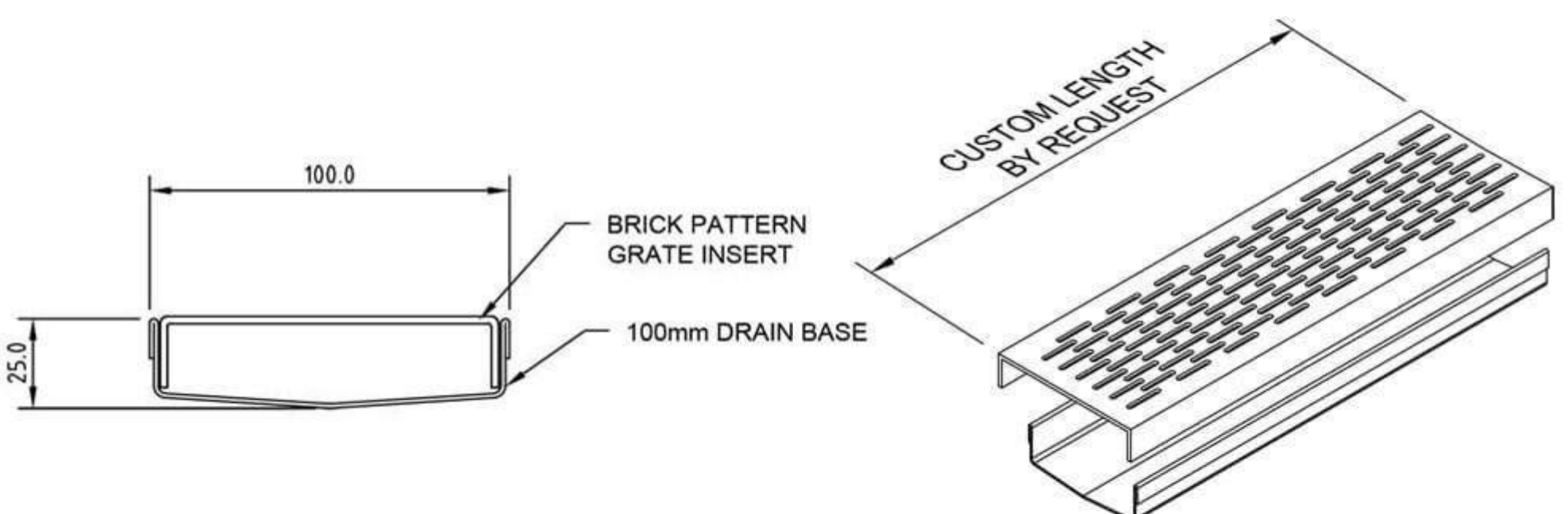


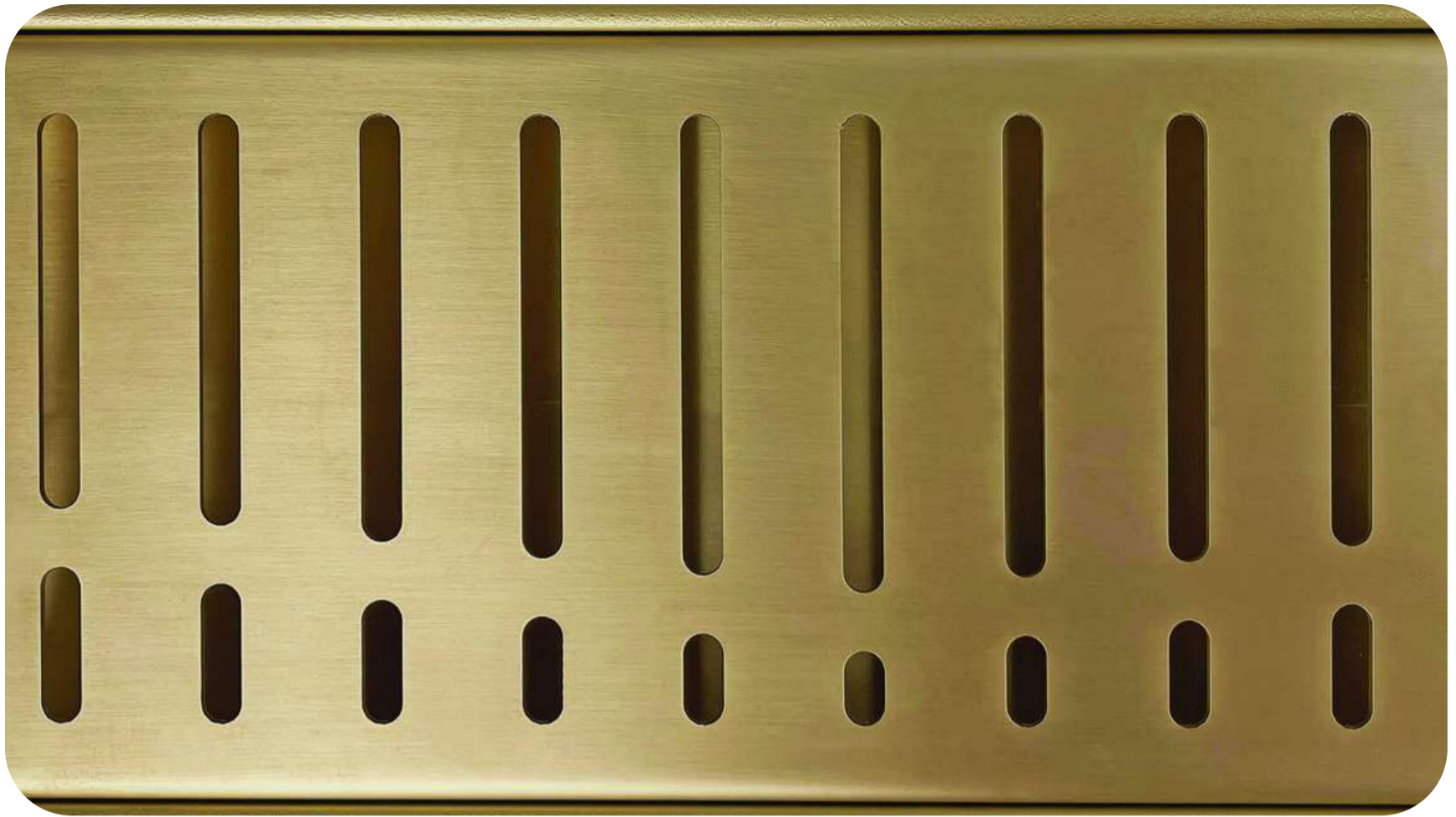


PRODUCT CODE: G2GBP100NB

BRASS BRICK PATTERN GRATE & CHANNEL

Width:	100mm
Depth:	25mm
Length:	Custom
Outlet Sizes:	38mm, 44mm, 51mm, 63mm, 76mm, 85mm
Outlet Position:	Custom
Material:	Natural brass

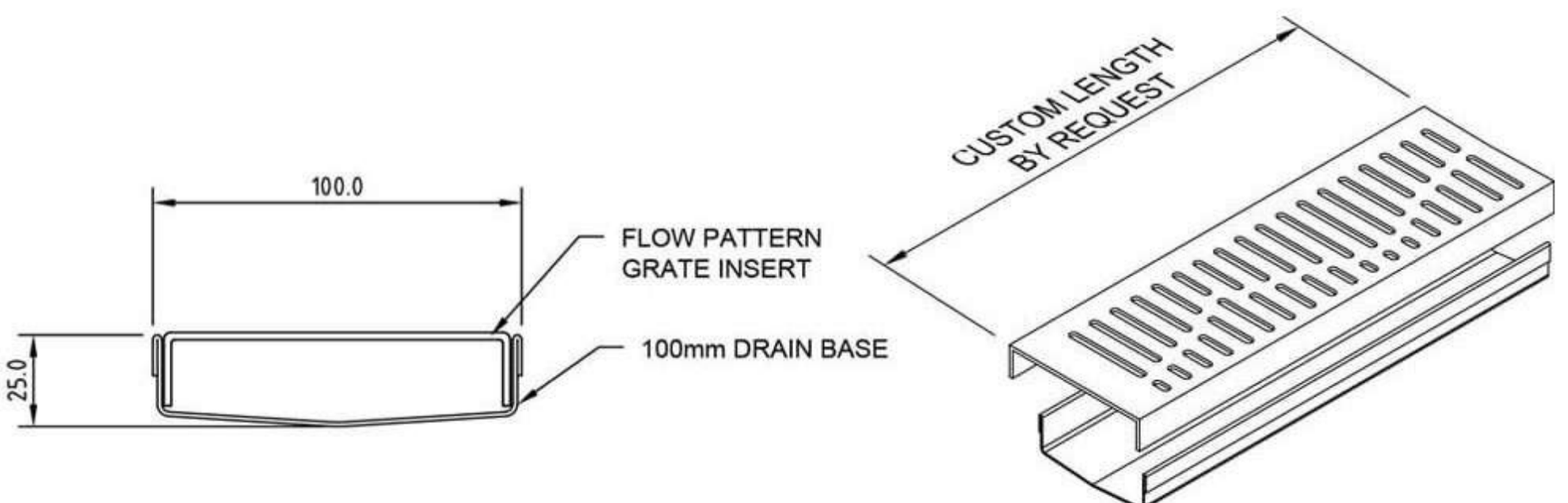


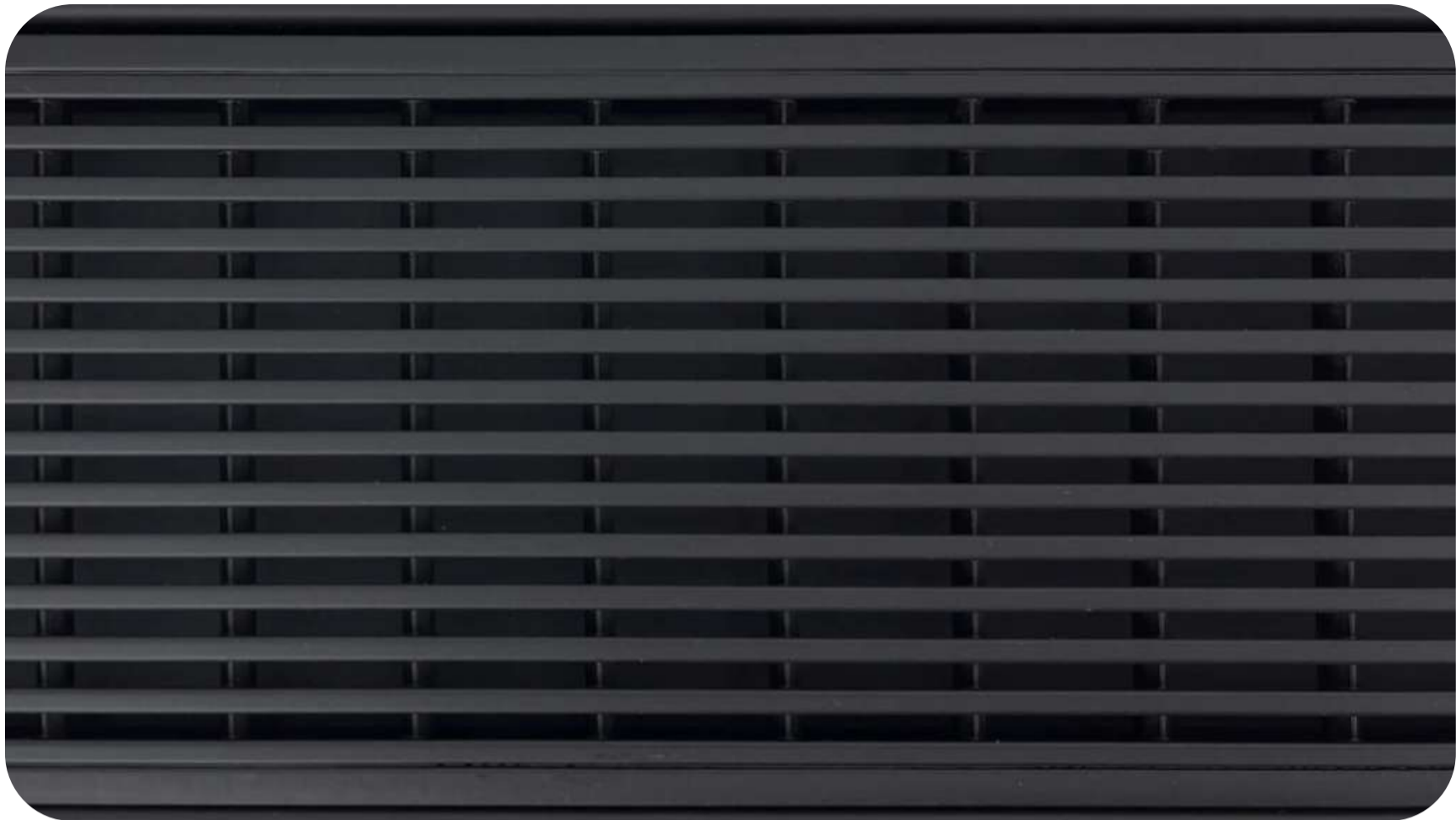


PRODUCT CODE: G2GFP100NB

BRASS FLOW PATTERN GRATE & CHANNEL

Width:	100mm
Depth:	25mm
Length:	Custom
Outlet Sizes:	38mm, 44mm, 51mm, 63mm, 76mm, 85mm
Outlet Position:	Custom
Material:	Natural brass

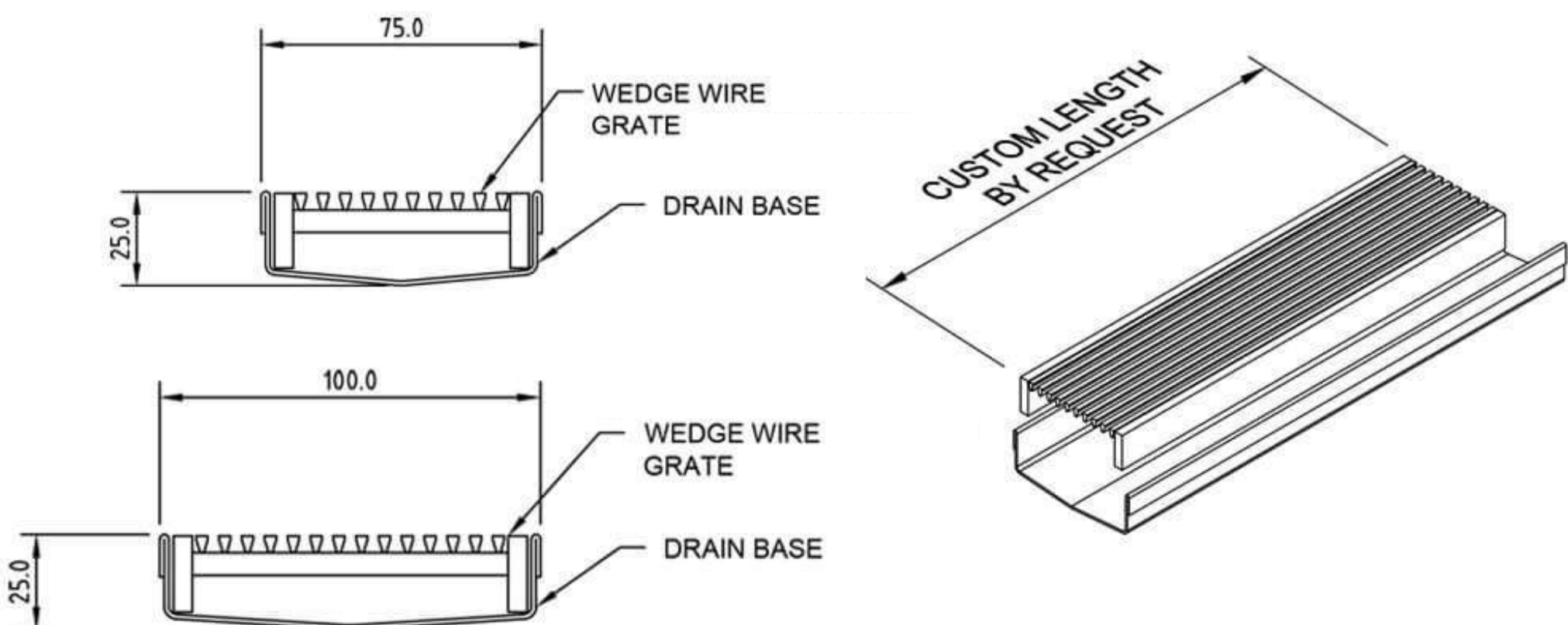




PRODUCT CODE: G2GWW75MB | G2GWW100MB

MATTE BLACK WEDGE WIRE GRATE & CHANNEL

Width:	75mm, 100mm
Depth:	25mm
Length:	Custom
Outlet Sizes:	38mm, 44mm, 51mm, 63mm, 76mm, 85mm
Outlet Position:	Custom
Material:	Stainless steel with black electrostatic coating

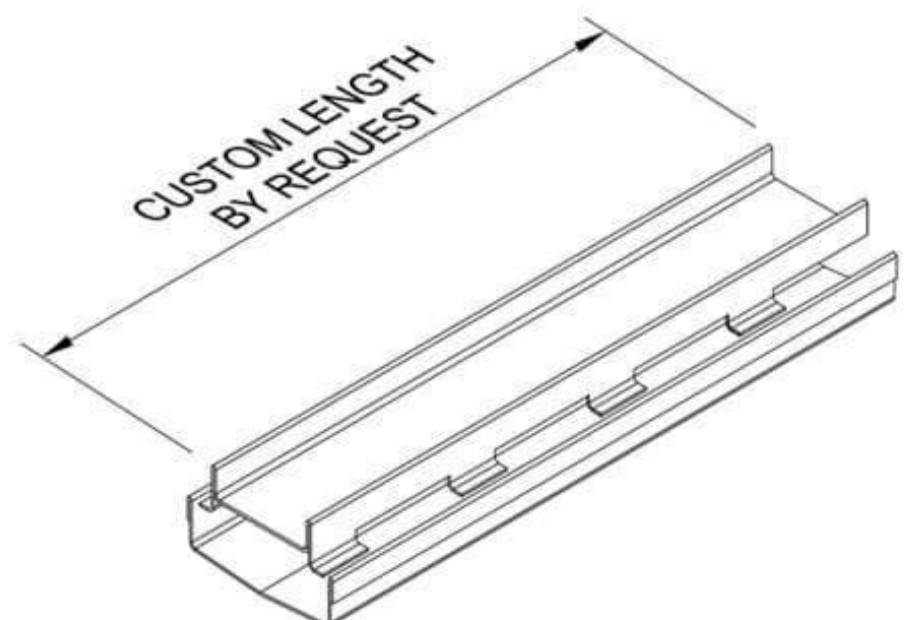
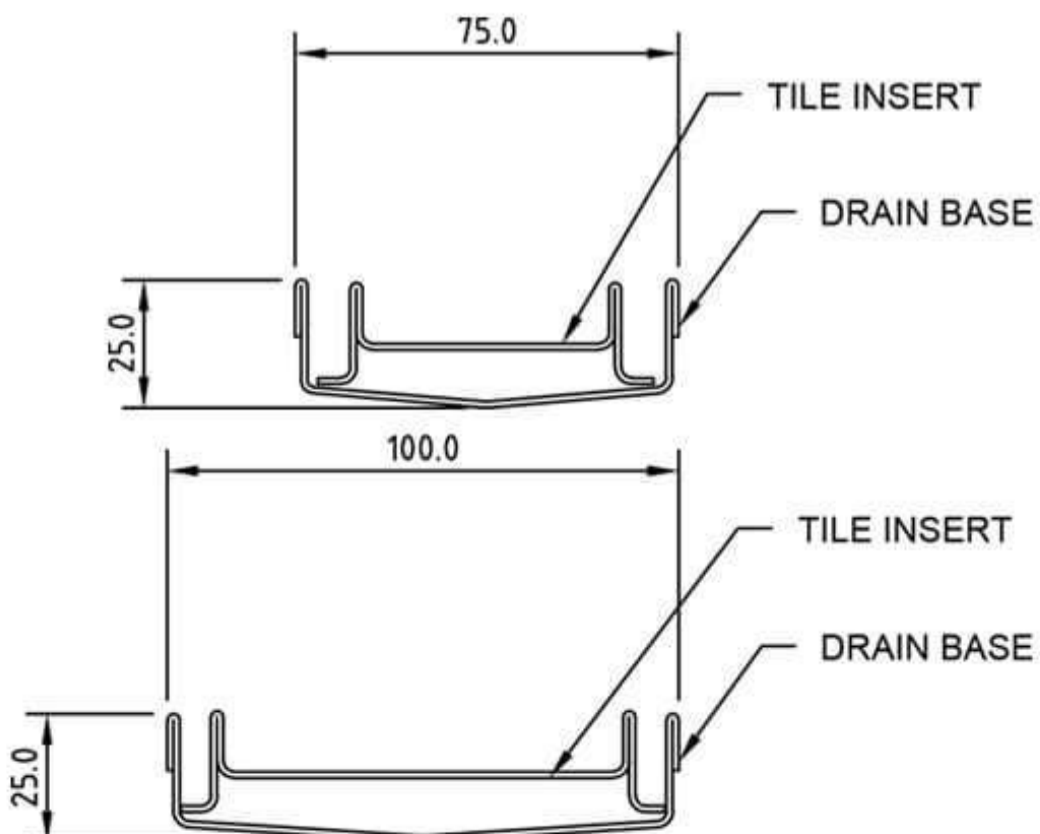


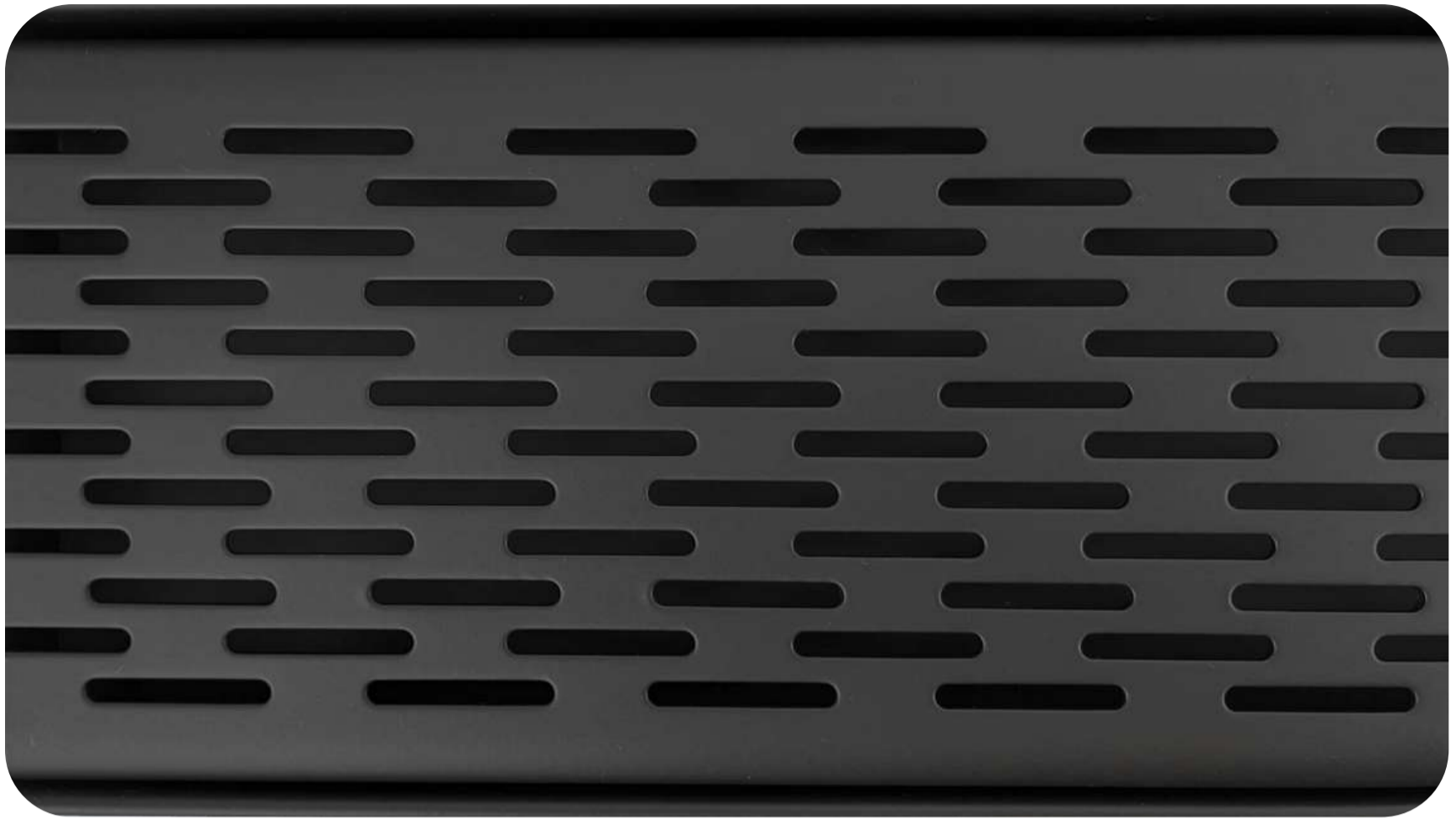


PRODUCT CODE: G2GTI75MB | G2GTI100MB

MATTE BLACK TILE INSERT CHANNEL

Width:	75mm, 100mm
Depth:	25mm
Length:	Custom
Outlet Sizes:	38mm, 44mm, 51mm, 63mm, 76mm, 85mm
Outlet Position:	Custom
Material:	Stainless steel with black electrostatic coating

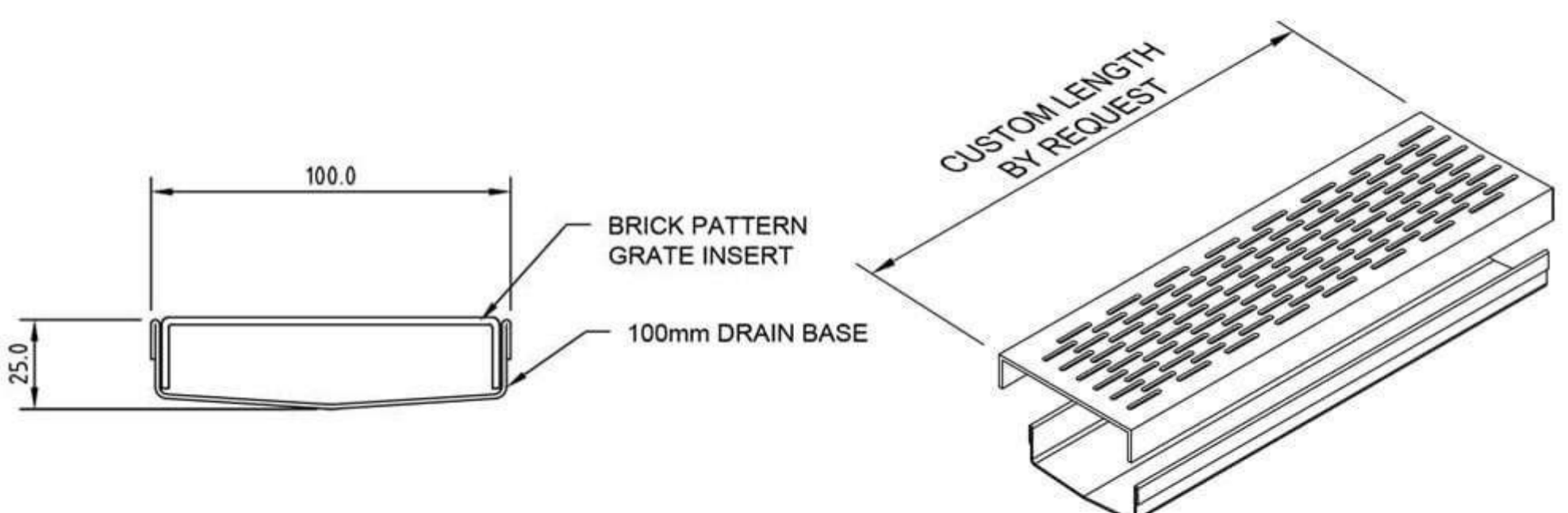


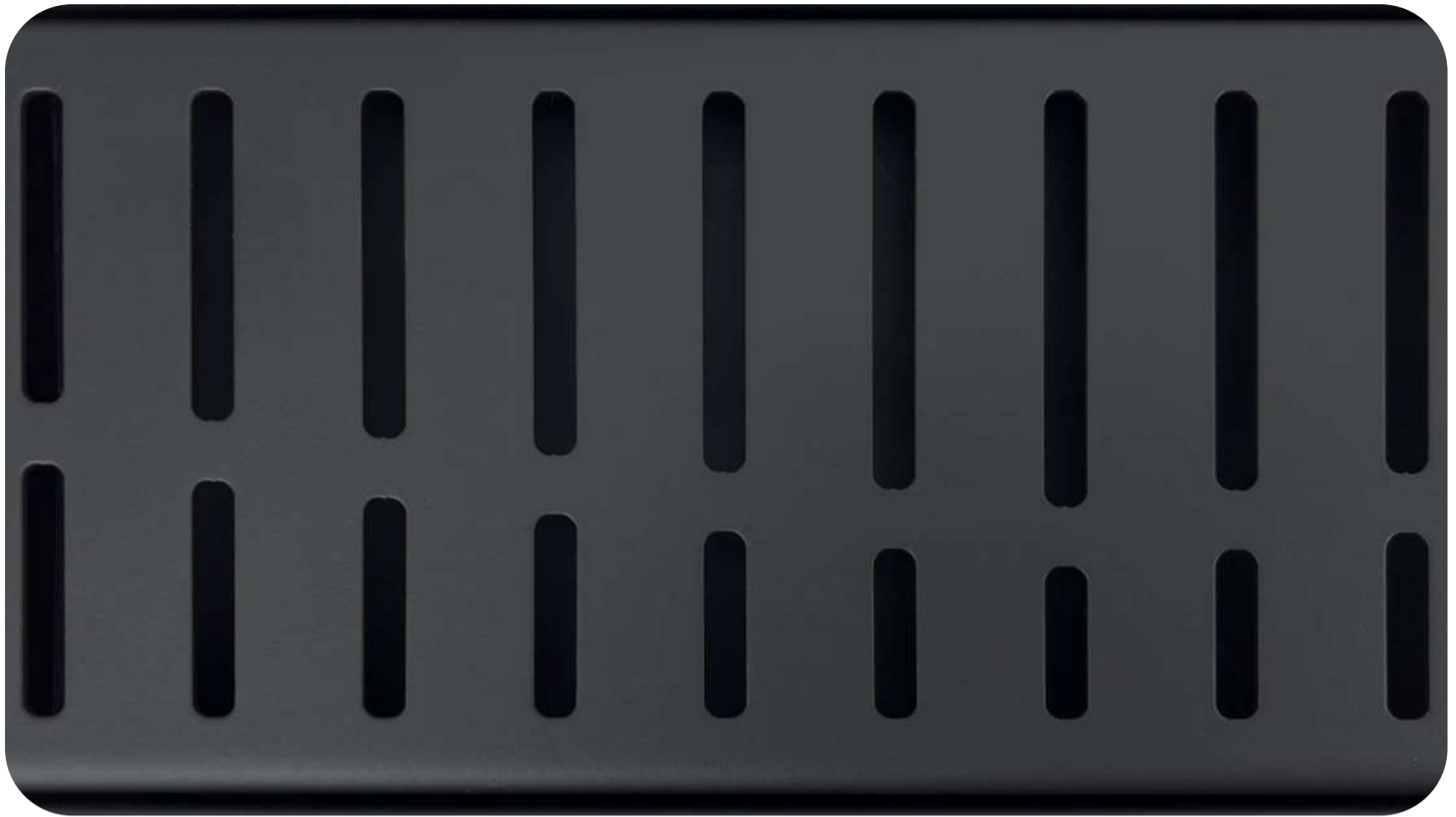


PRODUCT CODE: G2GBP100MB

MATTE BLACK BRICK PATTERN GRATE & CHANNEL

Width:	100mm
Depth:	25mm
Length:	Custom
Outlet Sizes:	38mm, 44mm, 51mm, 63mm, 76mm, 85mm
Outlet Position:	Custom
Material:	Stainless steel with black electrostatic coating

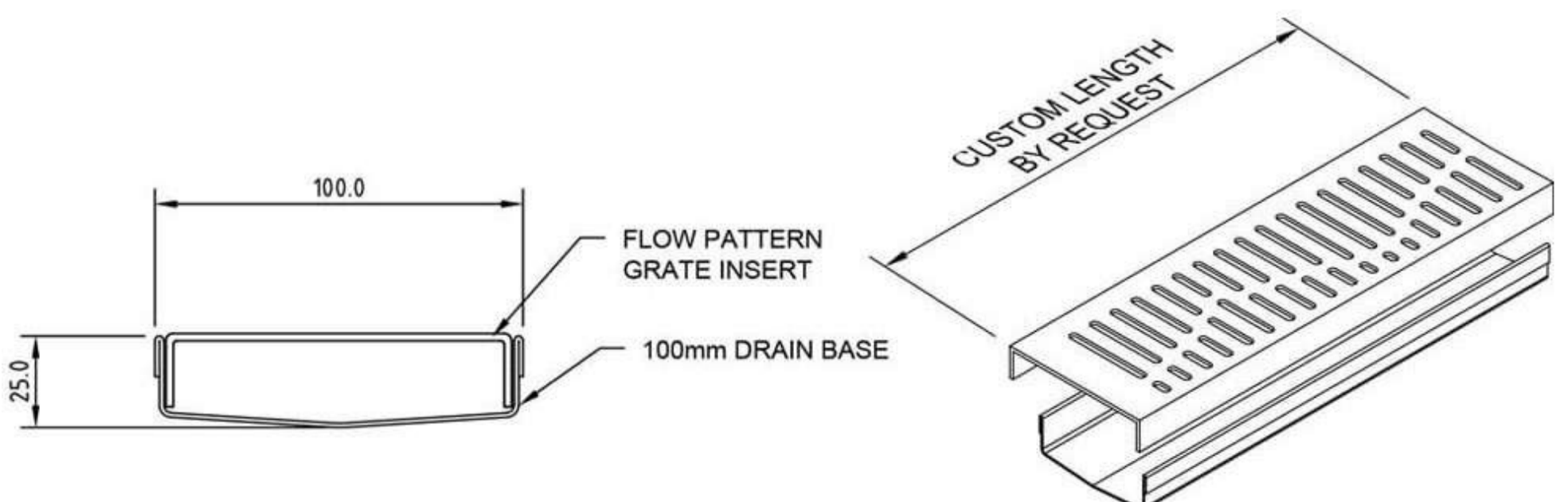


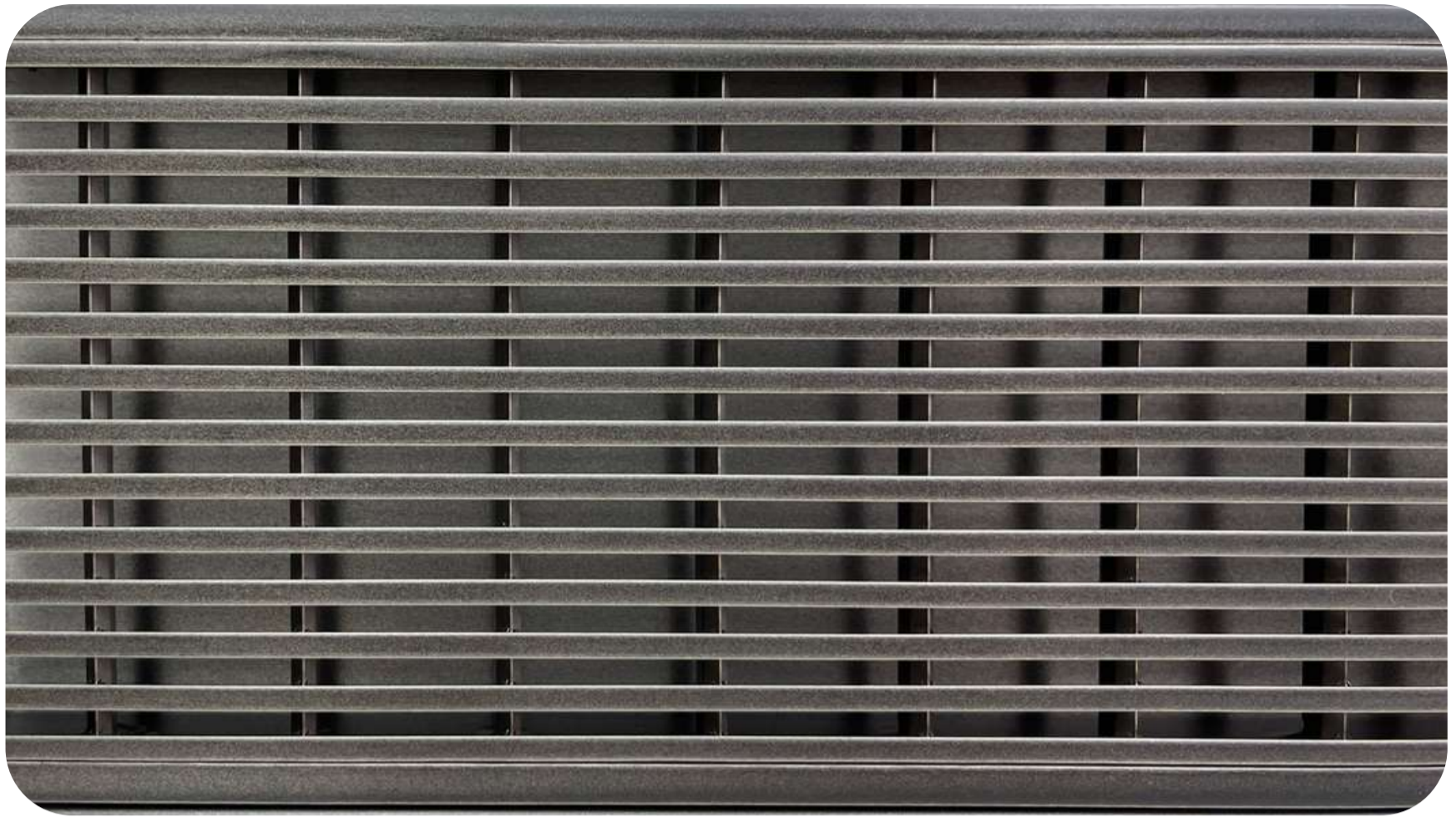


PRODUCT CODE: G2GFP100MB

MATTE BLACK FLOW PATTERN GRATE & CHANNEL

Width:	100mm
Depth:	25mm
Length:	Custom
Outlet Sizes:	38mm, 44mm, 51mm, 63mm, 76mm, 85mm
Outlet Position:	Custom
Material:	Stainless steel with black electrostatic coating

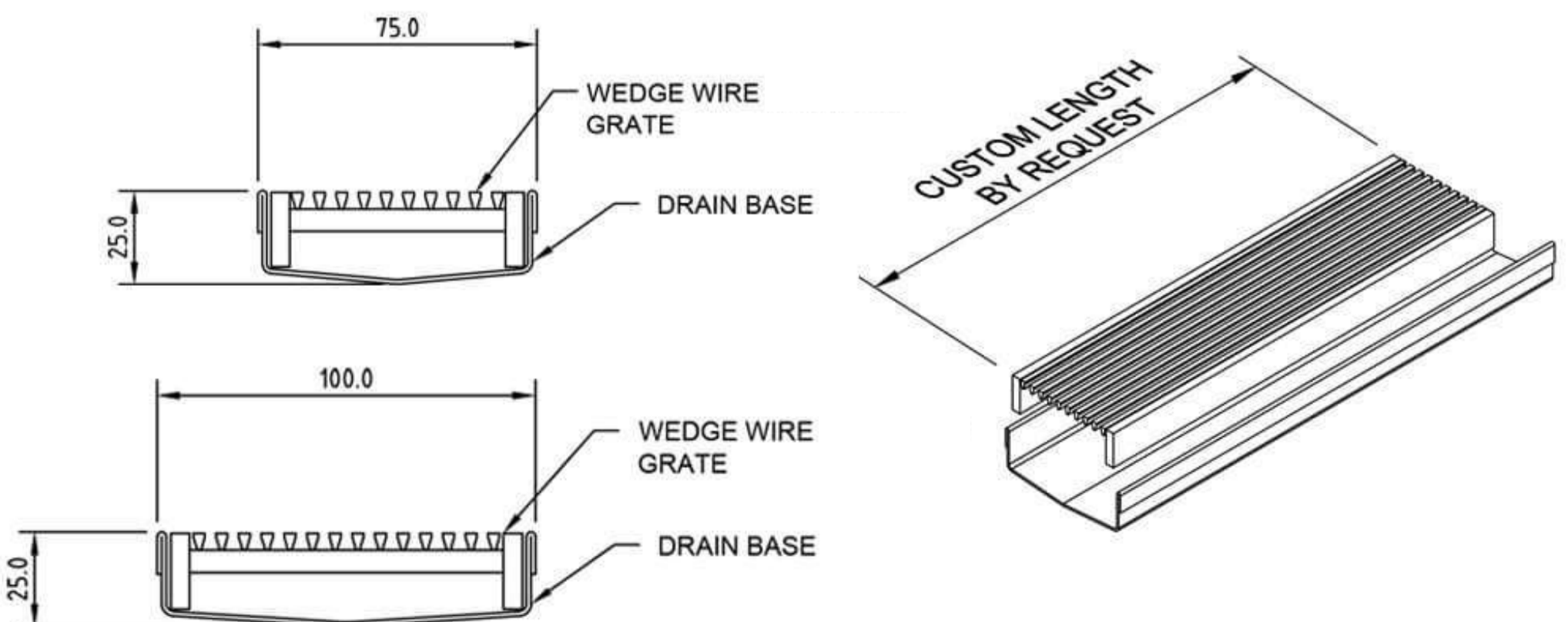




PRODUCT CODE: G2GWW75GM | G2GWW100GM

GUNMETAL WEDGE WIRE GRATE & CHANNEL

Width:	75mm, 100mm
Depth:	25mm
Length:	Custom
Outlet Sizes:	38mm, 44mm, 51mm, 63mm, 76mm, 85mm
Outlet Position:	Custom
Material:	Stainless steel with grey electrostatic coating

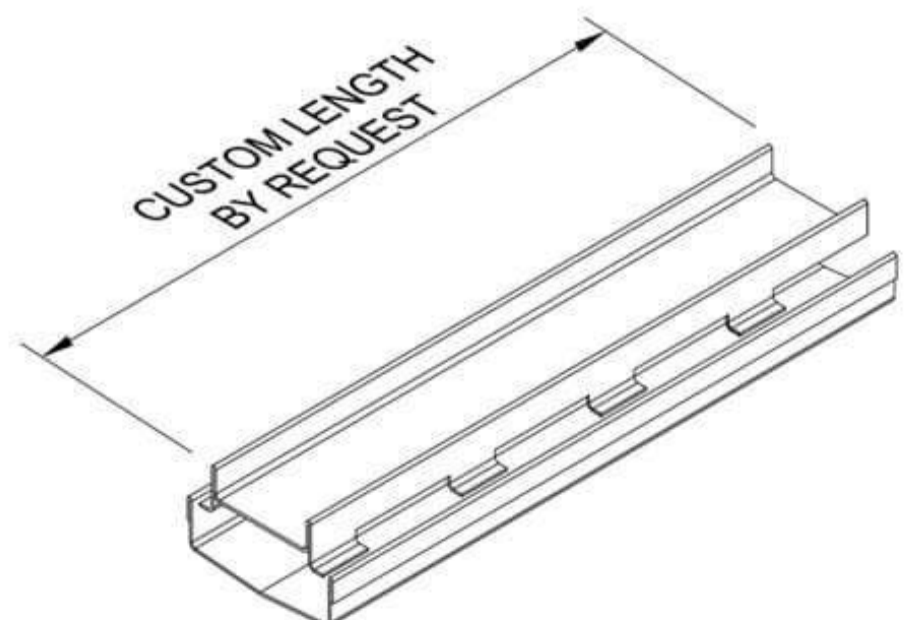
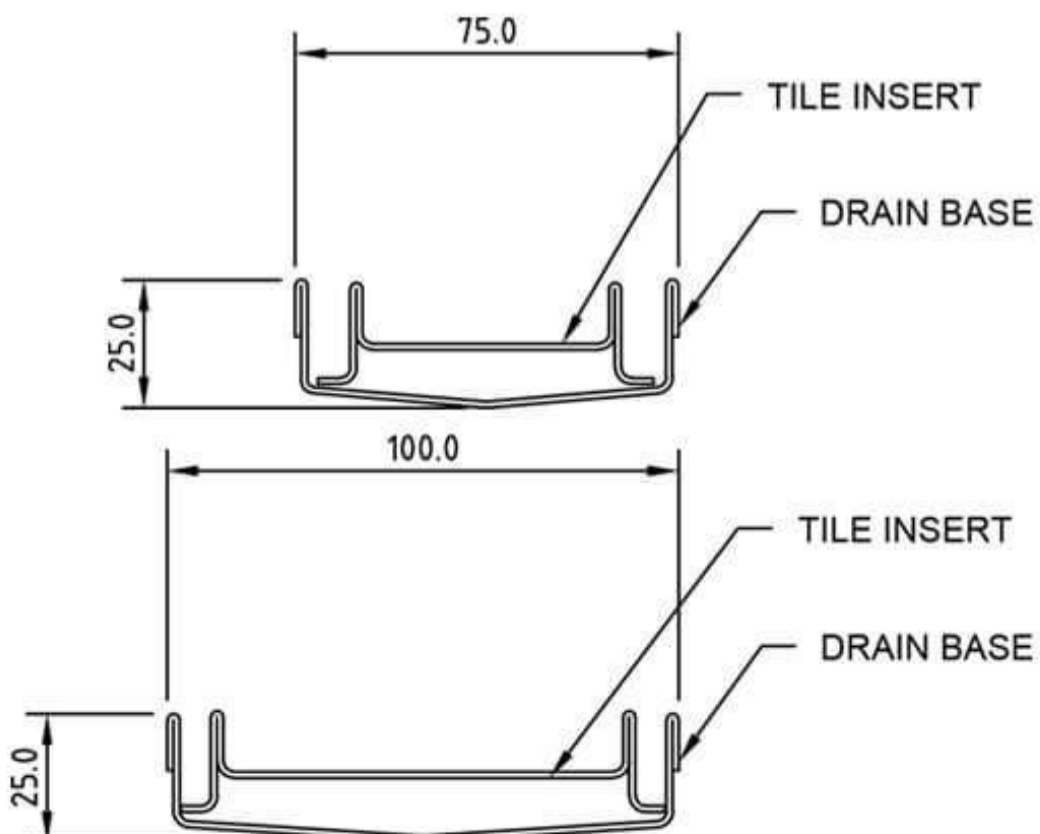




PRODUCT CODE: G2GTI75GM | G2GTI100GM

GUNMETAL TILE INSERT CHANNEL

Width:	75mm, 100mm
Depth:	25mm
Length:	Custom
Outlet Sizes:	38mm, 44mm, 51mm, 63mm, 76mm, 85mm
Outlet Position:	Custom
Material:	Stainless steel with grey electrostatic coating

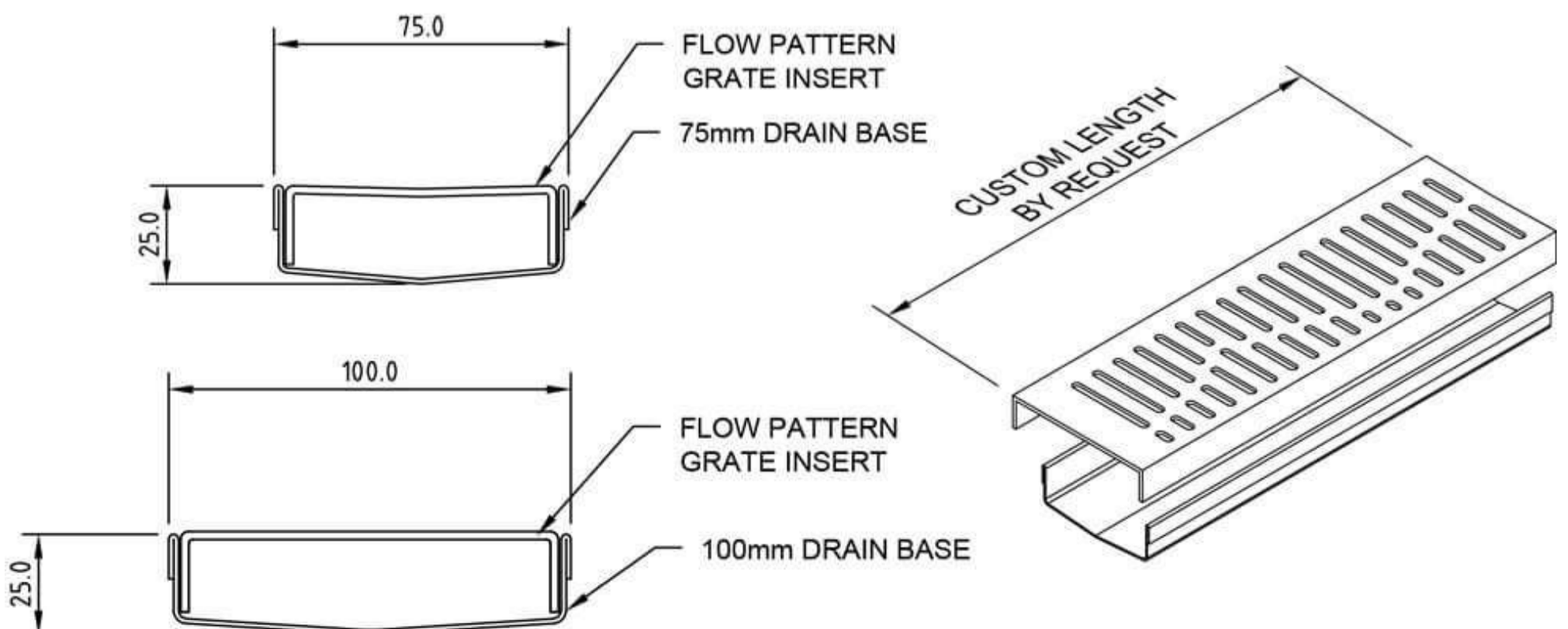


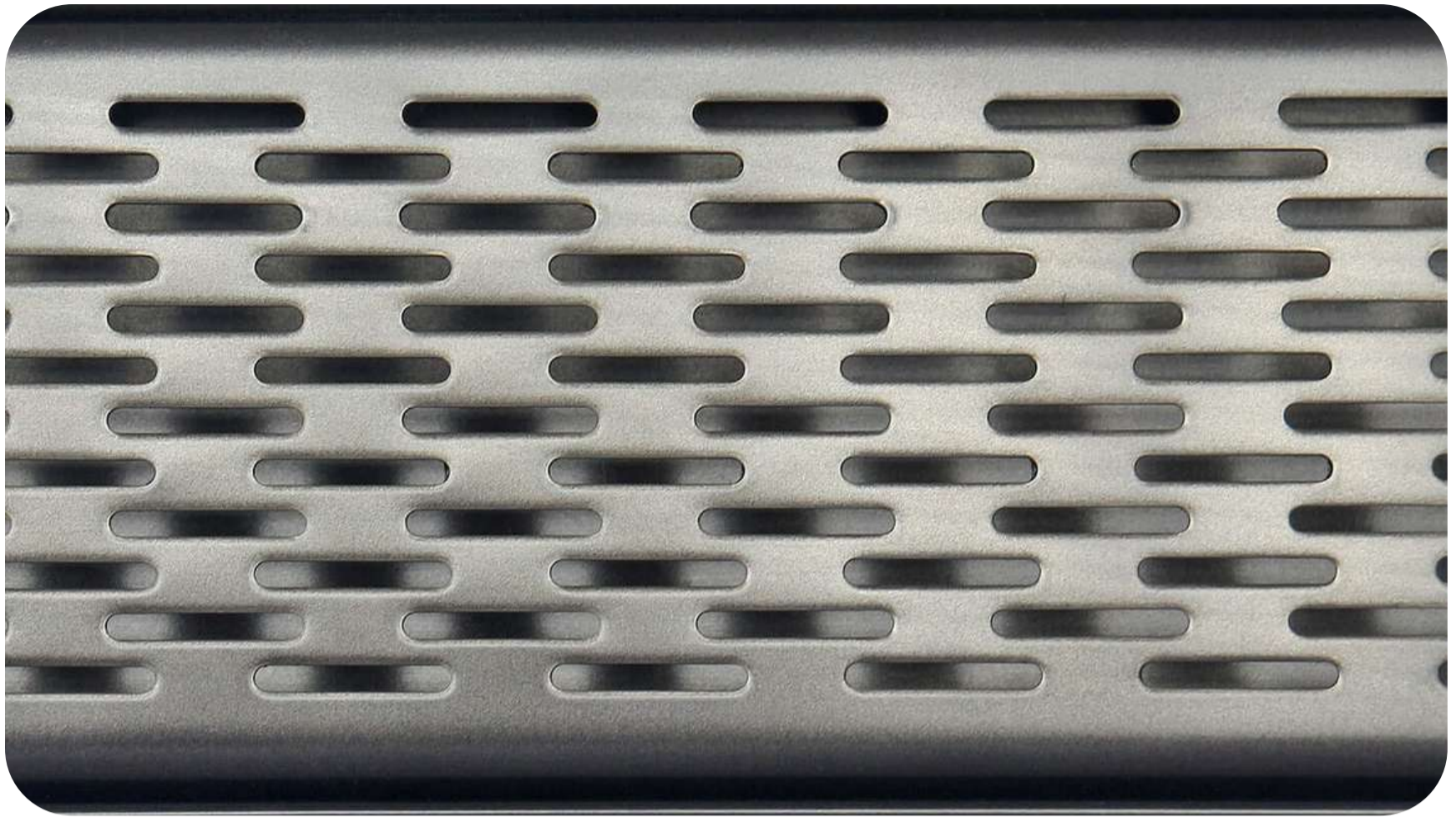


PRODUCT CODE: G2GFP75GM | G2GFP100GM

GUNMETAL FLOW PATTERN GRATE & CHANNEL

Width:	75mm, 100mm
Depth:	25mm
Length:	Custom
Outlet Sizes:	38mm, 44mm, 51mm, 63mm, 76mm, 85mm
Outlet Position:	Custom
Material:	Stainless steel with grey electrostatic coating

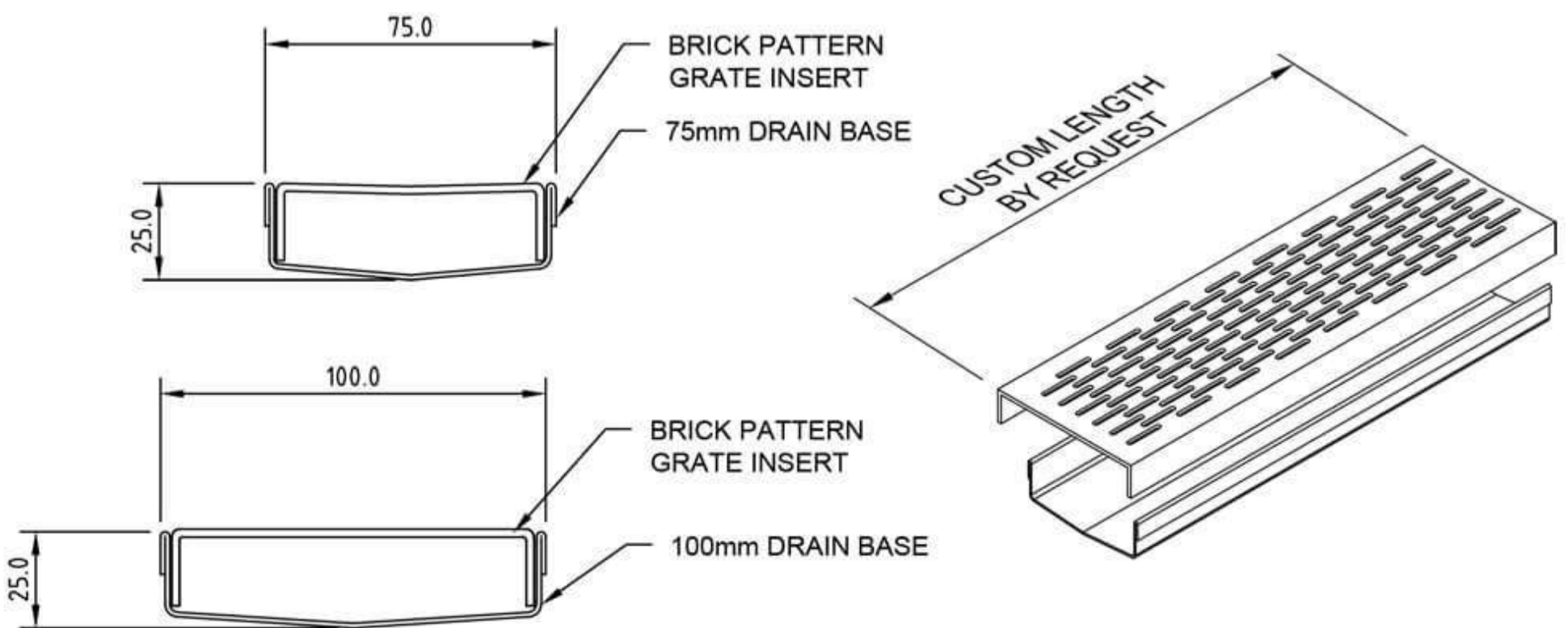




PRODUCT CODE: G2GBP75GM | G2GBP100GM

GUNMETAL BRICK PATTERN GRATE & CHANNEL

Width:	75mm, 100mm
Depth:	25mm
Length:	Custom
Outlet Sizes:	38mm, 44mm, 51mm, 63mm, 76mm, 85mm
Outlet Position:	Custom
Material:	Stainless steel with grey electrostatic coating

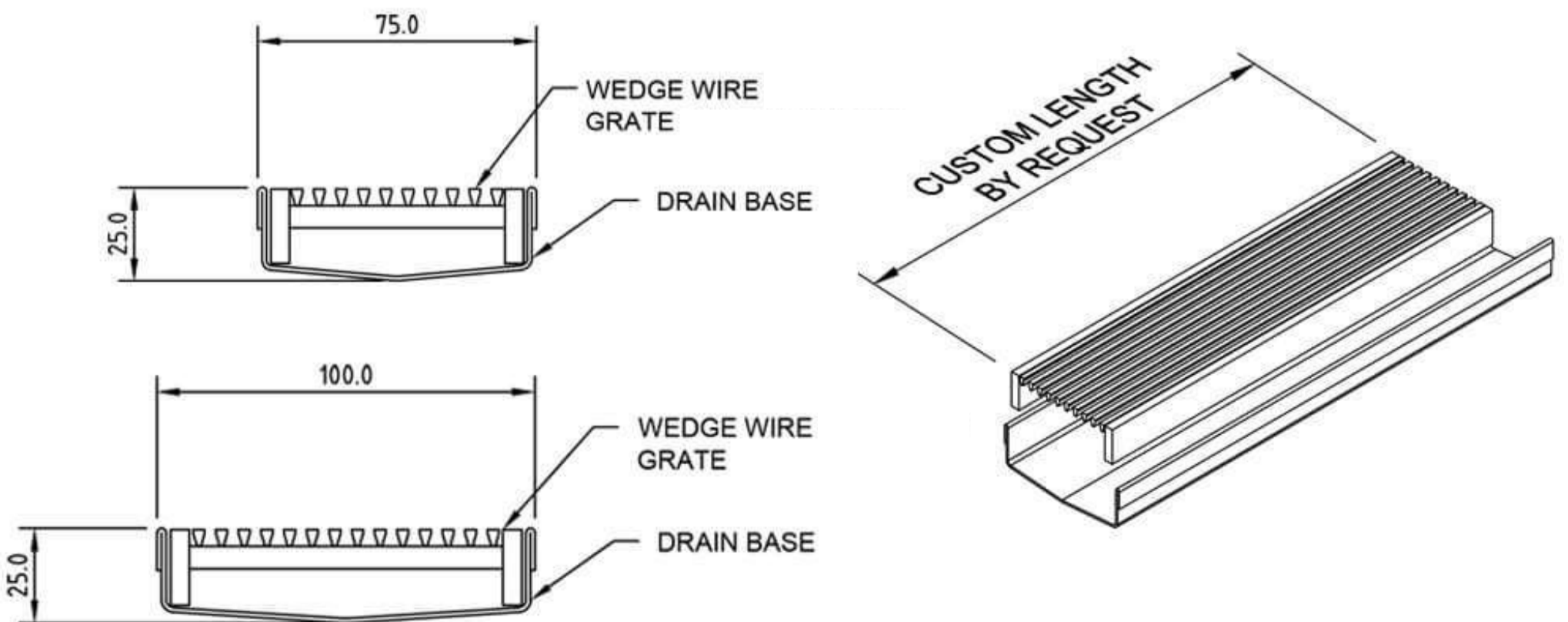




PRODUCT CODE: G2GWW75BG | G2GWW100BG

GOLD WEDGE WIRE GRATE & CHANNEL

Width: 75mm, 100mm
Depth: 25mm
Length: Custom
Outlet Sizes: 38mm, 44mm, 51mm, 63mm, 76mm, 85mm
Outlet Position: Custom
Material: Stainless steel with gold electrostatic coating

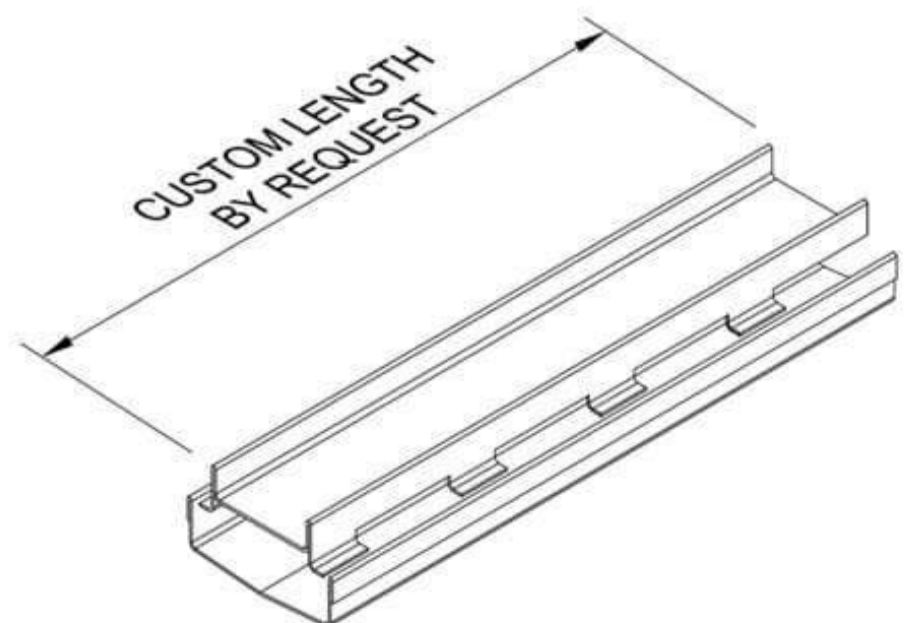
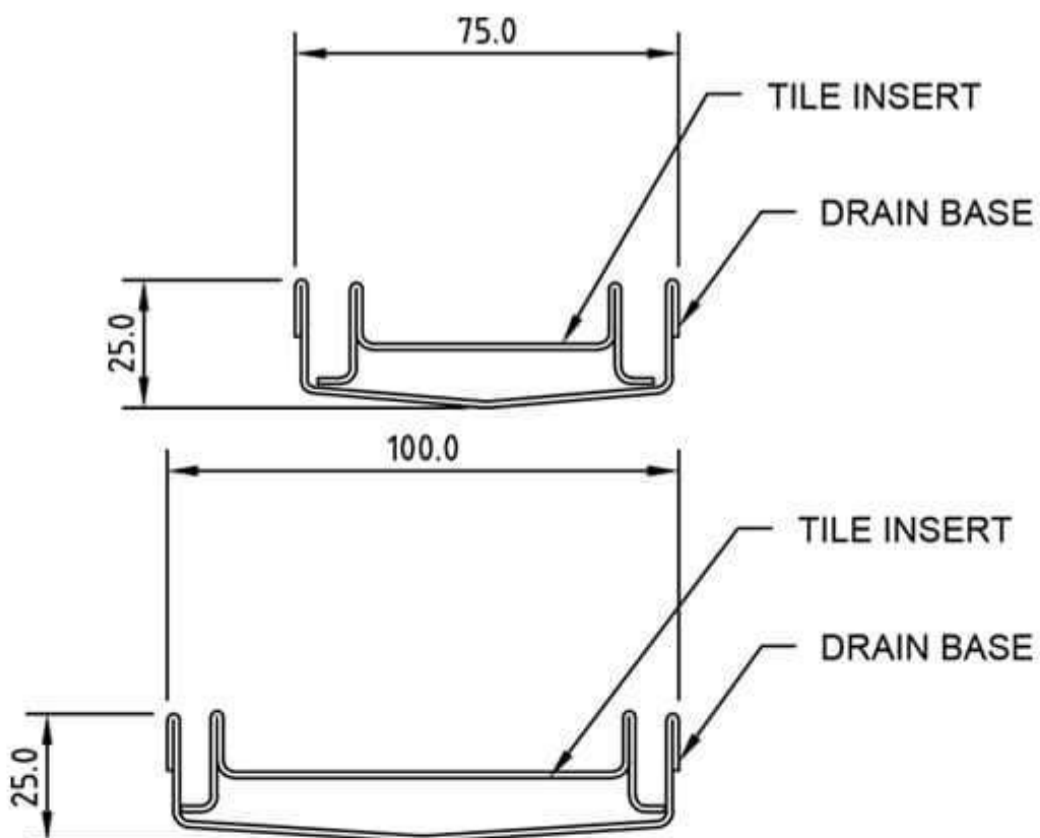




PRODUCT CODE: G2GTI75BG | G2GTI100BG

GOLD TILE INSERT CHANNEL

- Width: 75mm, 100mm
- Depth: 25mm
- Length: Custom
- Outlet Sizes: 44mm, 51mm, 63mm, 76mm, 85mm
- Outlet Position: Custom
- Material: Stainless steel with gold electrostatic coating

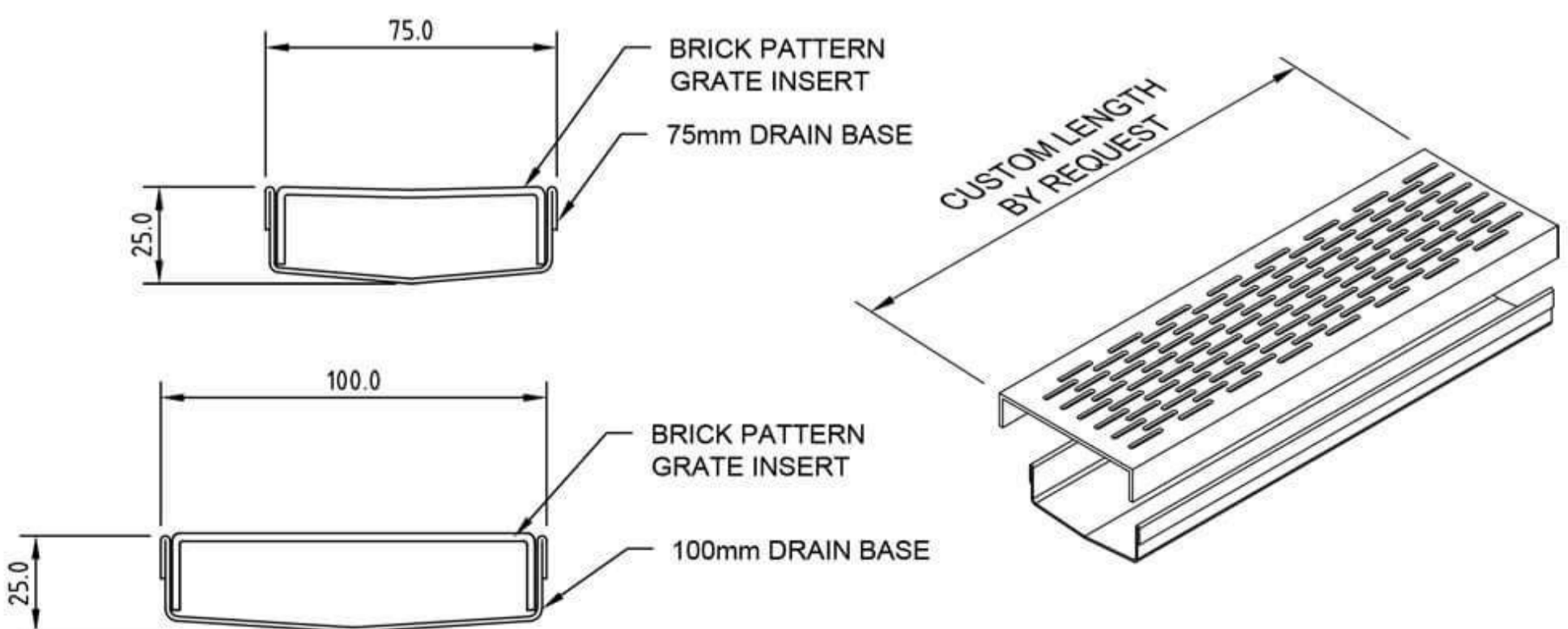


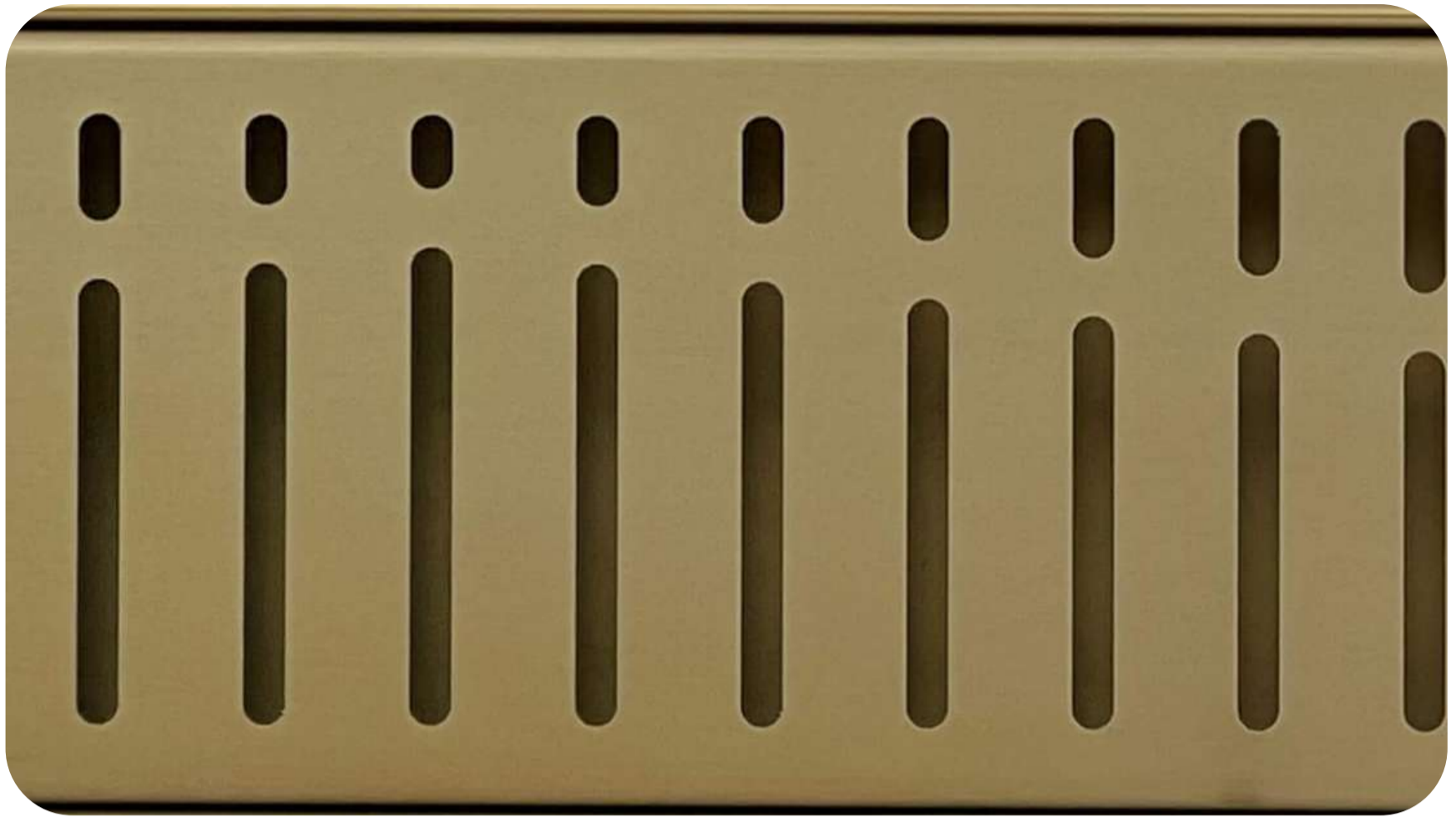


PRODUCT CODE: G2GBP75BG | G2GBP100BG

GOLD BRICK PATTERN GRATE & CHANNEL

Width:	75mm, 100mm
Depth:	25mm
Length:	Custom
Outlet Sizes:	38mm, 44mm, 51mm, 63mm, 76mm, 85mm
Outlet Position:	Custom
Material:	Stainless steel with gold electrostatic coating

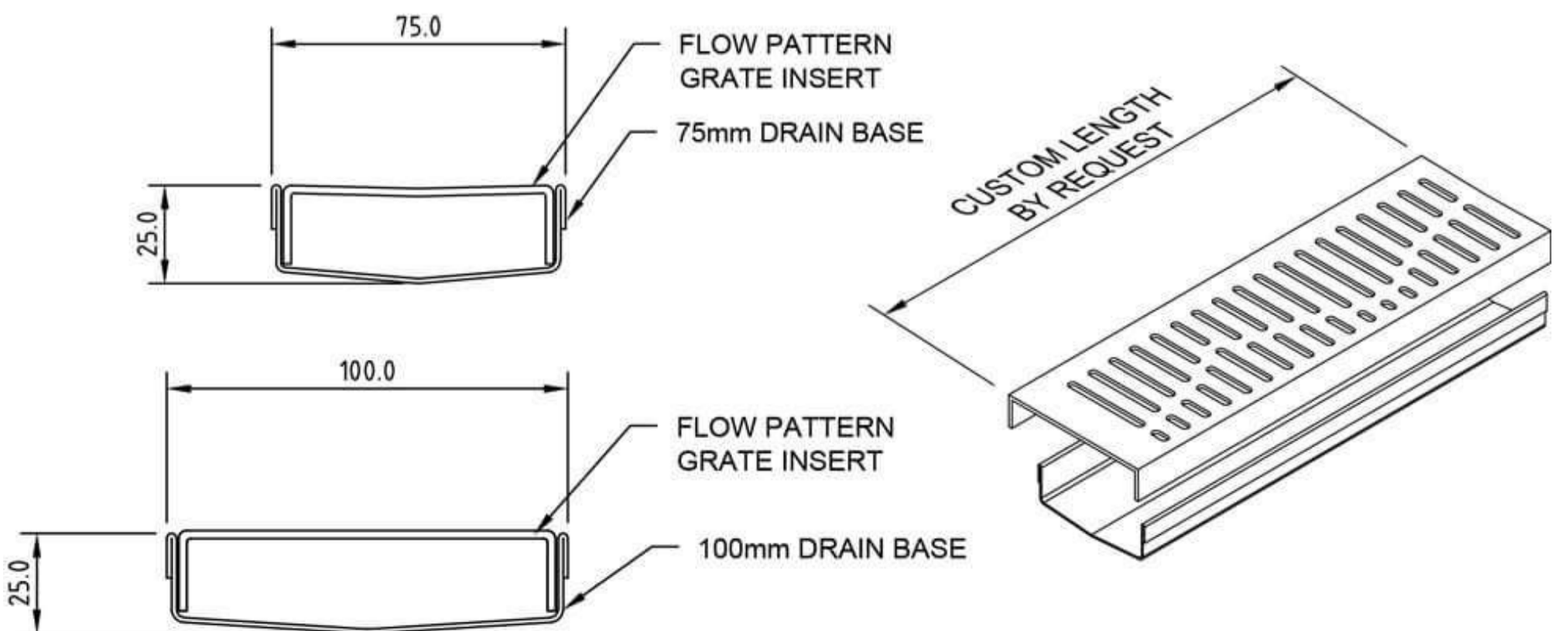


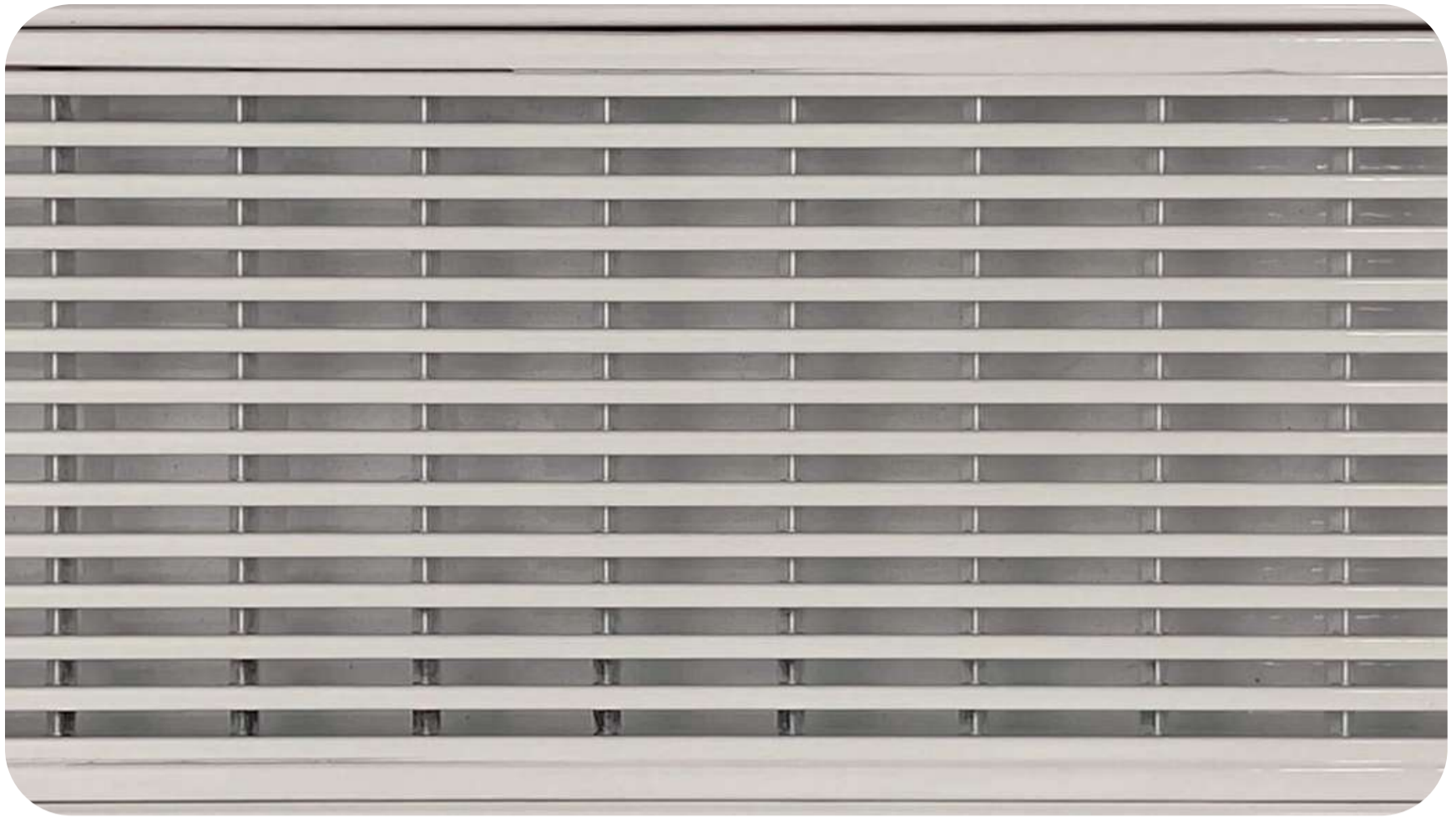


PRODUCT CODE: G2GBP75BG | G2GBP100BG

GOLD FLOW PATTERN GRATE & CHANNEL

- Width: 75mm, 100mm
- Depth: 25mm
- Length: Custom
- Outlet Sizes: 38mm, 44mm, 51mm, 63mm, 76mm, 85mm
- Outlet Position: Custom
- Material: Stainless steel with gold electrostatic coating

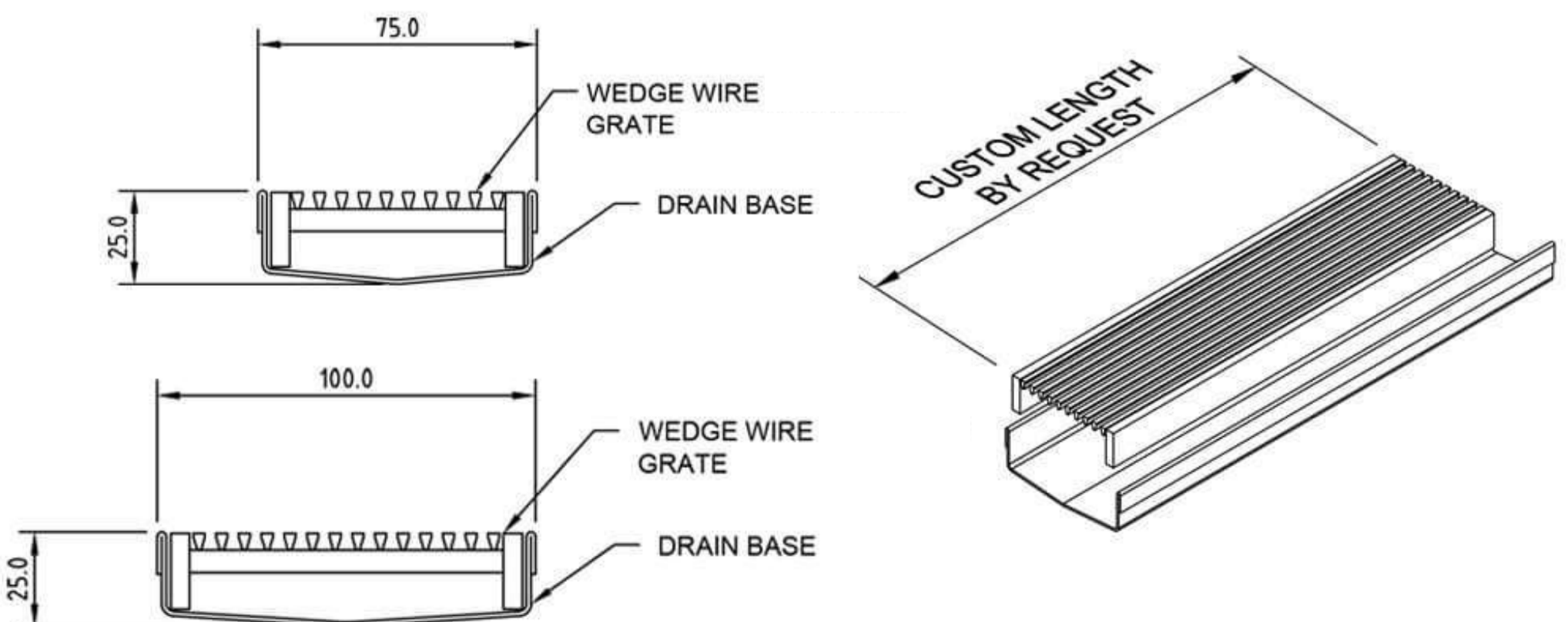




PRODUCT CODE: G2GWW75W | G2GWW100W

WHITE WEDGE WIRE GRATE & CHANNEL

- Width: 75mm, 100mm
- Depth: 25mm
- Length: Custom
- Outlet Sizes: 38mm, 44mm, 51mm, 63mm, 76mm, 85mm
- Outlet Position: Custom
- Material: Stainless steel with white electrostatic coating

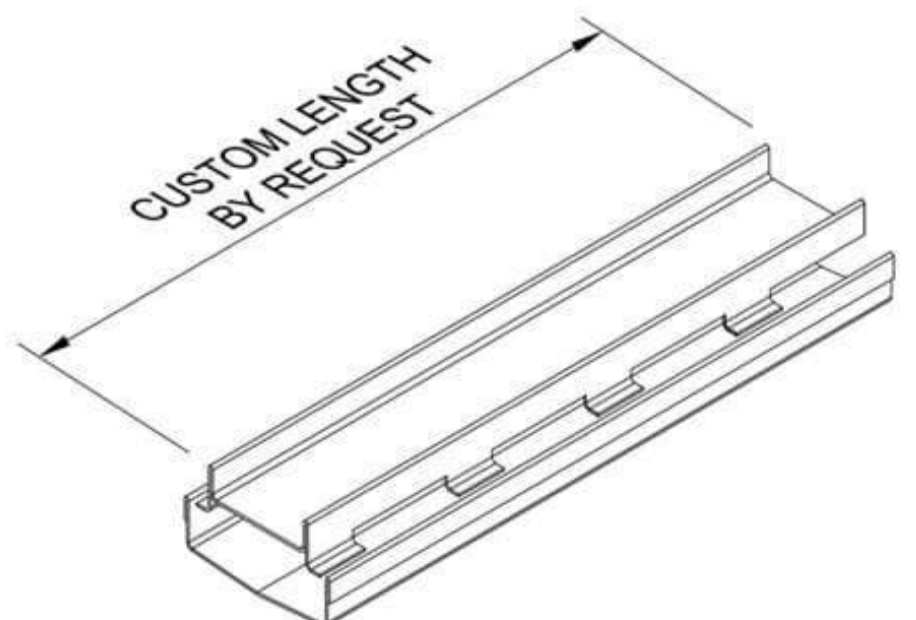
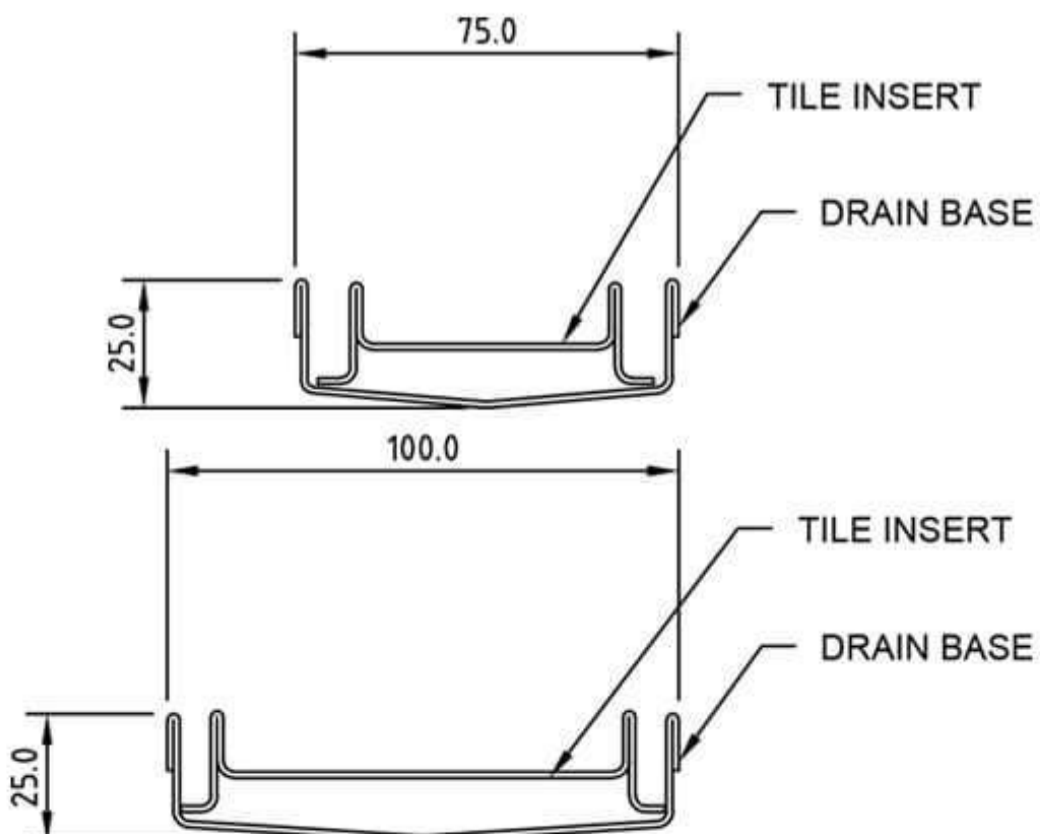


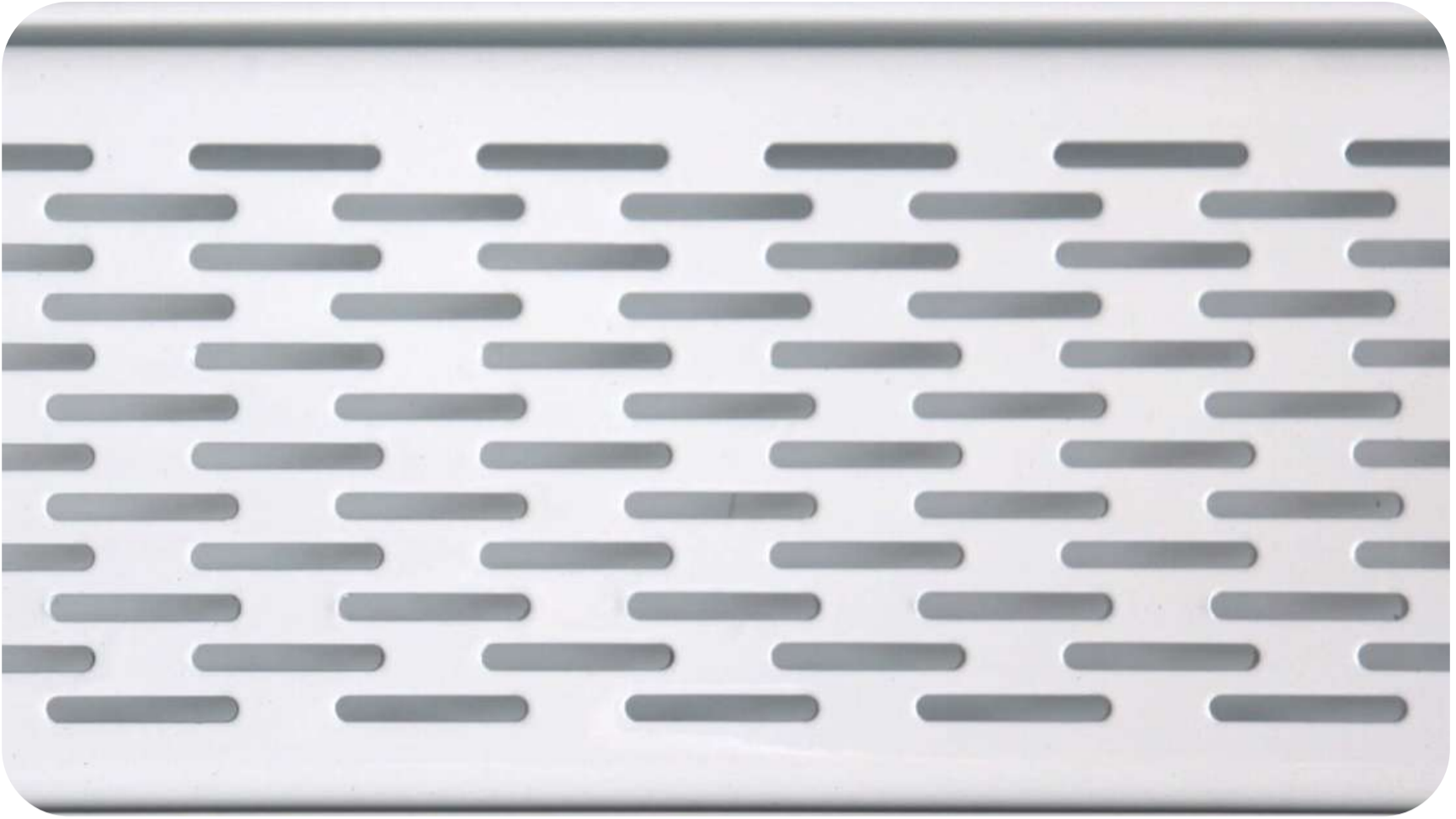


PRODUCT CODE: G2GTI75W | G2GTI100W

WHITE TILE INSERT CHANNEL

- Width: 75mm, 100mm
- Depth: 25mm
- Length: Custom
- Outlet Sizes: 38mm, 44mm, 51mm, 63mm, 76mm, 85mm
- Outlet Position: Custom
- Material: Stainless steel with white electrostatic coating

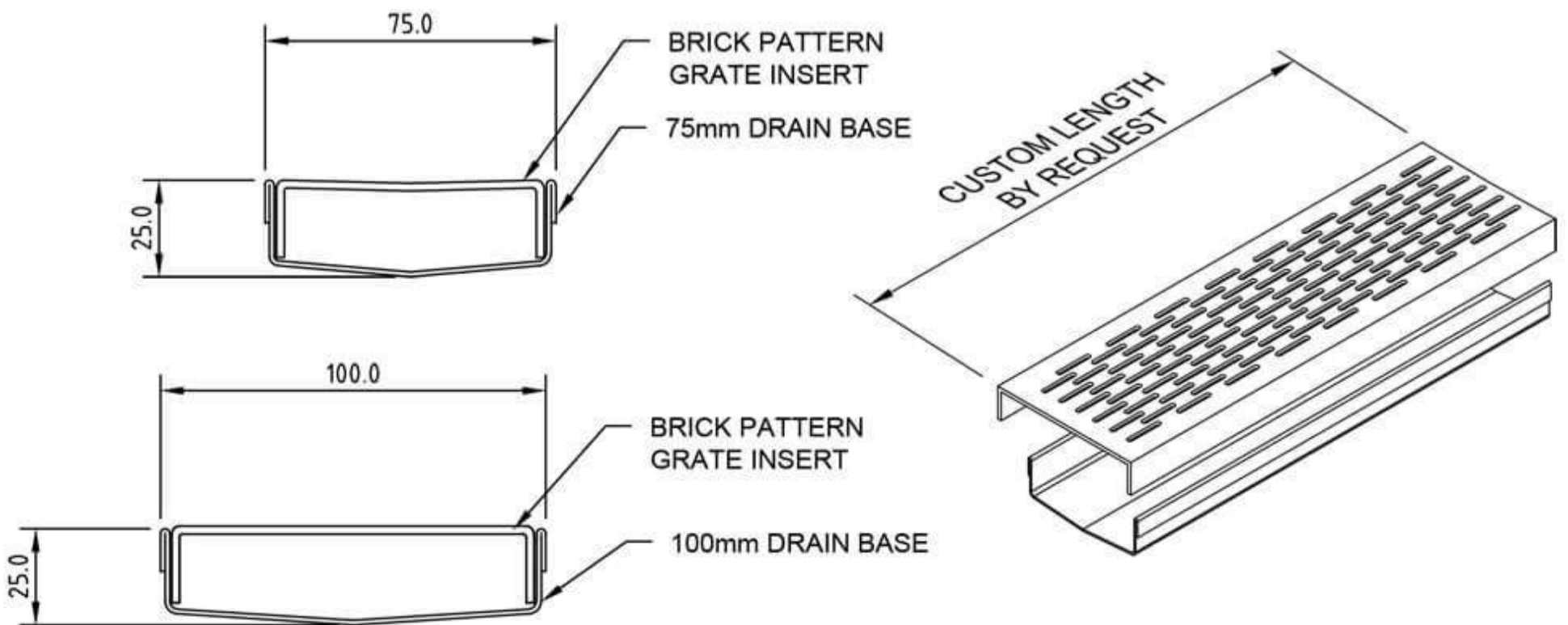


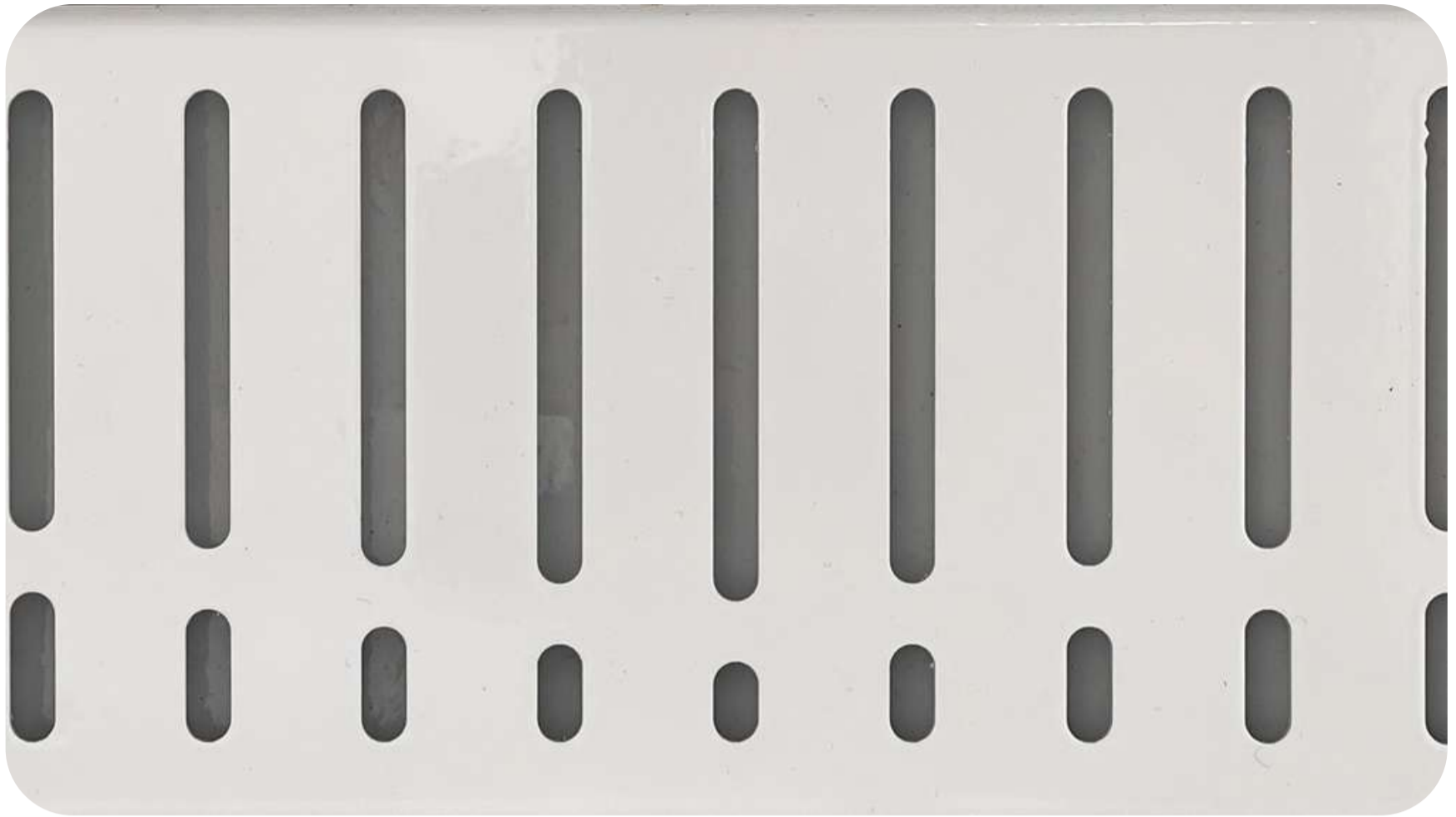


PRODUCT CODE: G2GBP75W | G2GBP100W

WHITE BRICK PATTERN GRATE & CHANNEL

Width:	75mm, 100mm
Depth:	25mm
Length:	Custom
Outlet Sizes:	38mm, 44mm, 51mm, 63mm, 76mm, 85mm
Outlet Position:	Custom
Material:	Stainless steel with white electrostatic coating

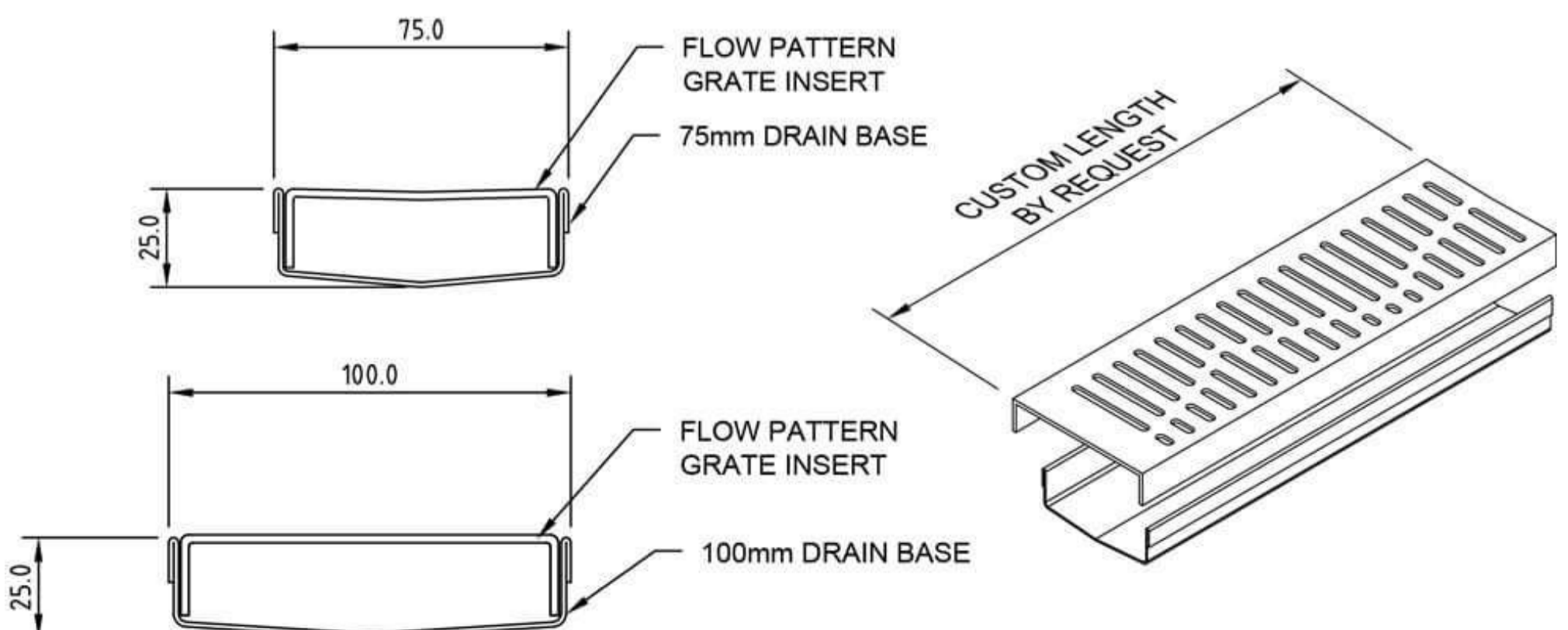




PRODUCT CODE: G2GFP75W | G2GFP100W

WHITE FLOW PATTERN GRATE & CHANNEL

Width:	75mm, 100mm
Depth:	25mm
Length:	Custom
Outlet Sizes:	38mm, 44mm, 51mm, 63mm, 76mm, 85mm
Outlet Position:	Custom
Material:	Stainless steel with white electrostatic coating

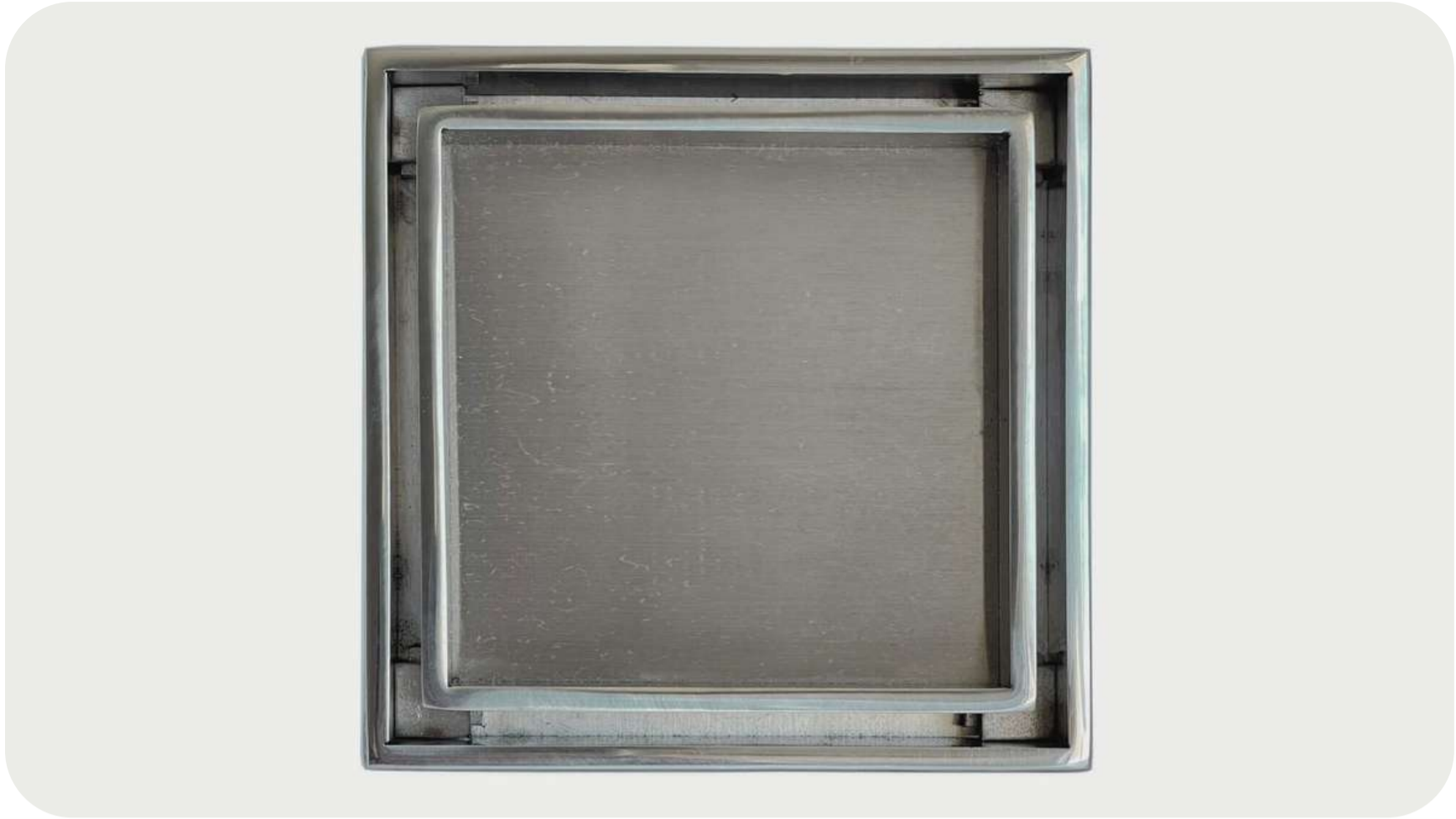


POINT DRAIN FLOOR WASTE



Looking for a reliable and efficient way to manage wastewater in your commercial or residential space? Consider a point drain floor waste. These innovative systems are designed to efficiently remove water and prevent build-up, helping to keep your space clean and dry.

With a range of sizes and materials available, you can choose the perfect point drain floor waste for your needs. Browse our selection today and discover the benefits of this essential drainage solution.

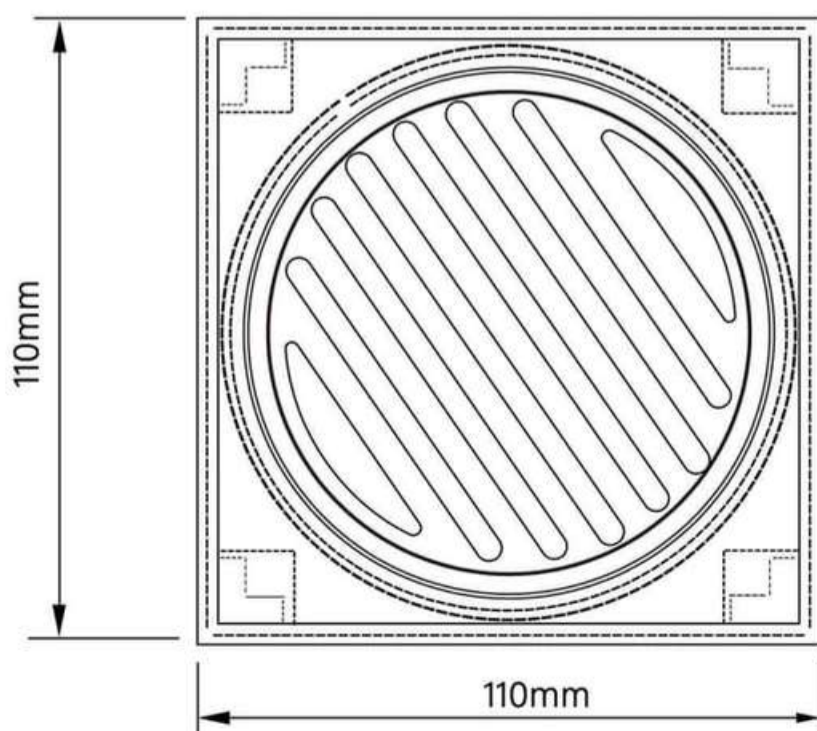


PRODUCT CODE: DIANA-110

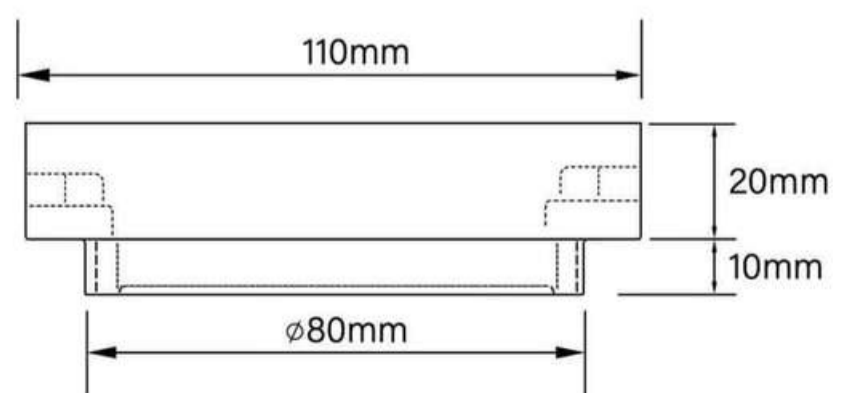
DIANA SMART TILE POINT DRAIN

Size: 110mm
Depth: 25mm
Outlet Size: 80mm
Material: 316 grade stainless steel
Brand: Sedek

Top View



Side View





PRODUCT CODE: MILA-110

MILA POINT DRAIN

Size: 110mm

Depth: 8mm

Outlet Size: 90mm

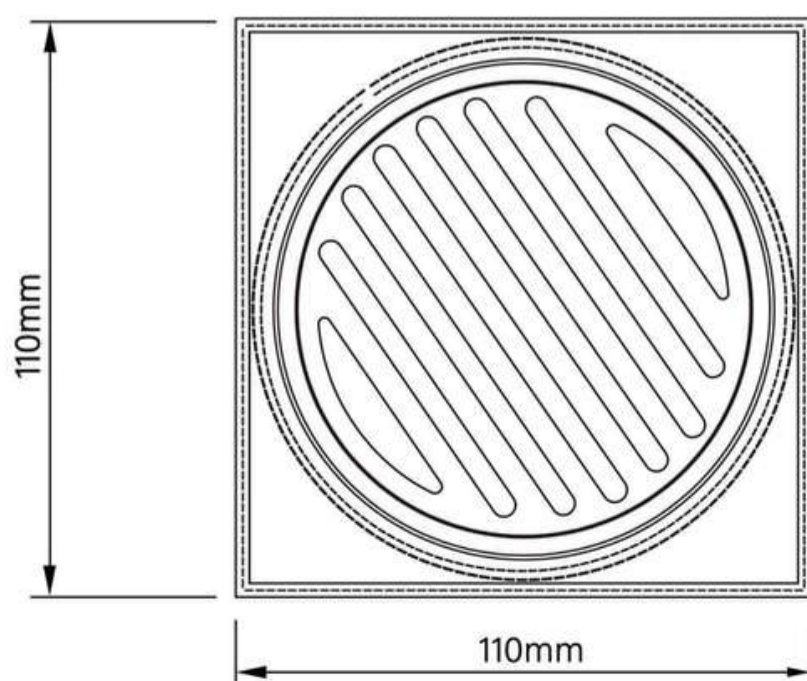
Material: 316 grade stainless steel (colours electroplated)

Colours:

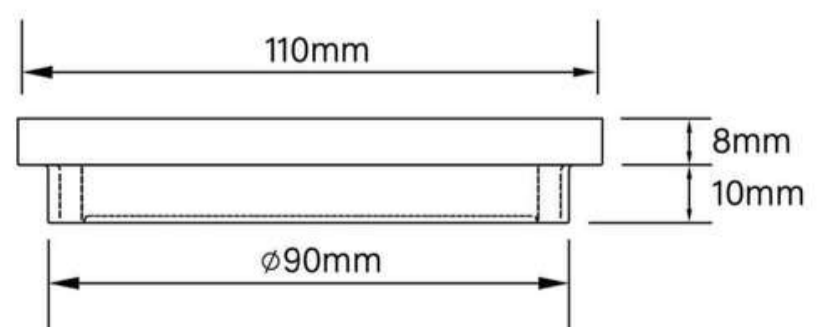


Brand: Sedek

Top View



Side View

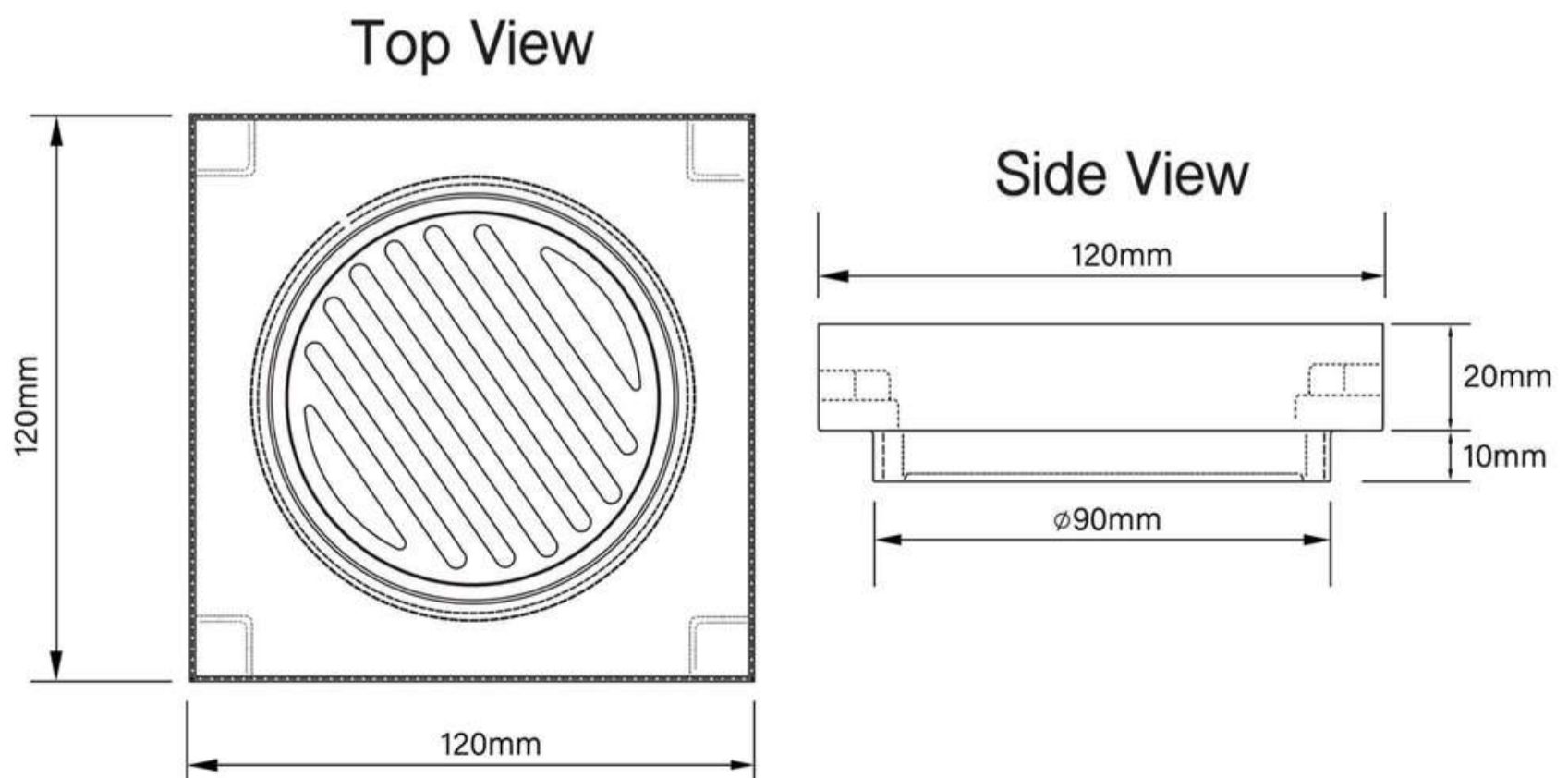


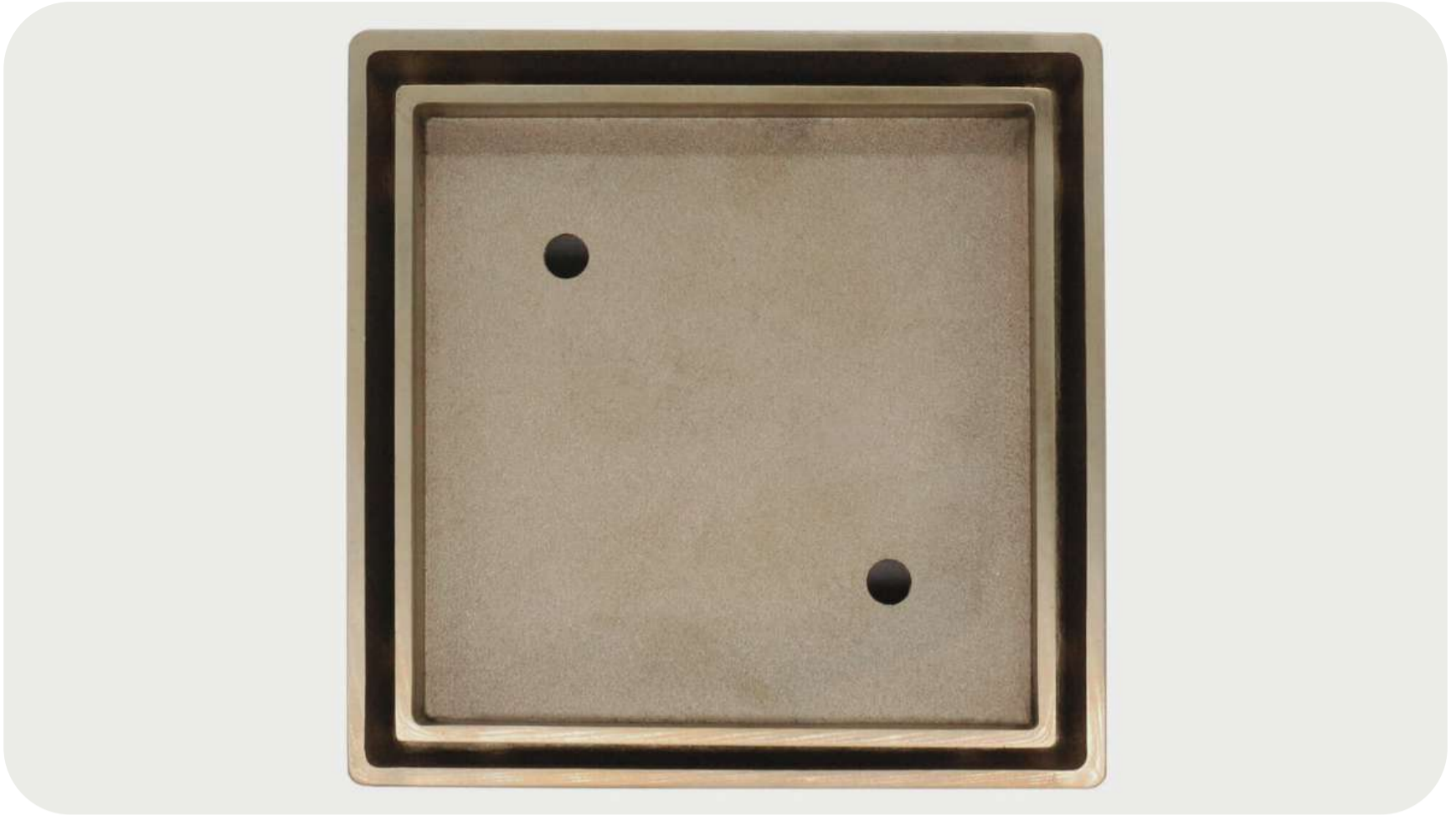


PRODUCT CODE: KANO-120-316-90

KANO SMART TILE POINT DRAIN

- Size: 120mm
Depth: 20mm
Outlet Size: 90mm
Material: 316 grade stainless steel (colours electroplated)
Colours: 
Brand: Sedek



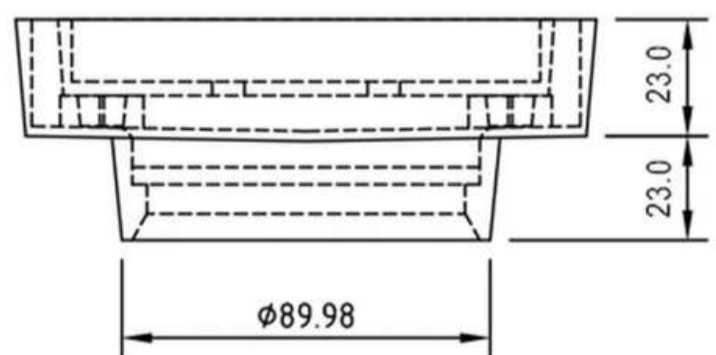
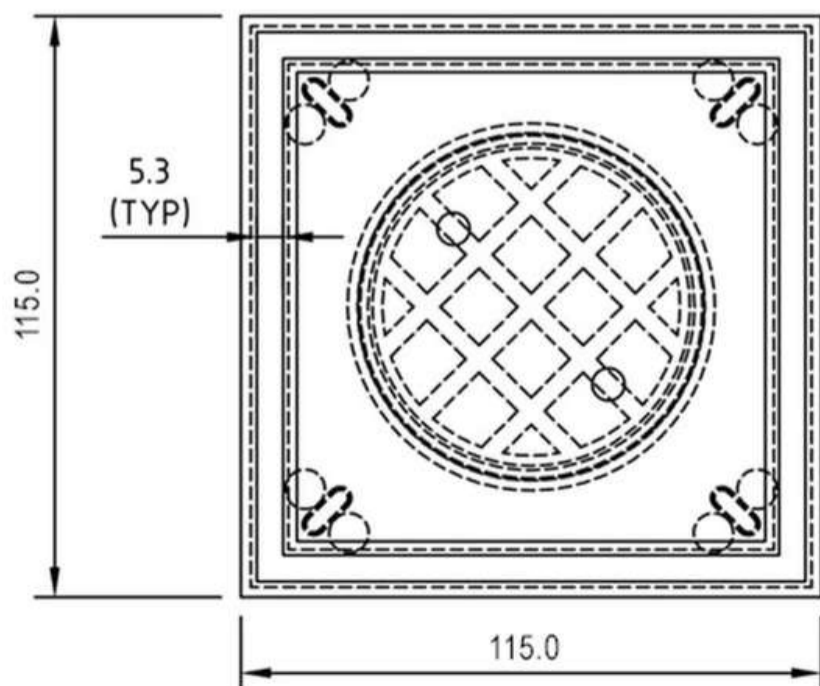


PRODUCT CODE: G2G-NB | G2G-AB | G2G-BOB | G2G-COB

SMART TILE POINT DRAIN

Size: 115mm
Depth: 23mm (25mm in chrome)
Outlet Size: 90mm
Material: Solid brass with electrostatic coating.

Colours:





PRODUCT CODE: G2G-BS | G2G-ANCIENTS | G2G-CS | G2G-SNS | G2G-RG

SLIMLINE BRASS POINT DRAIN

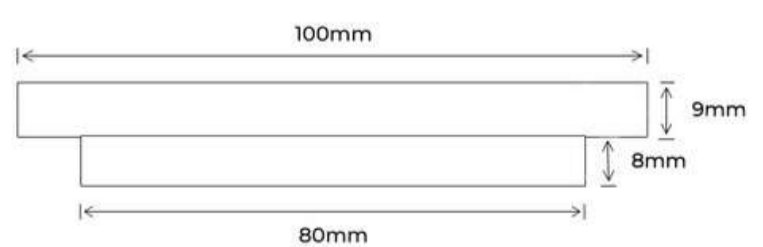
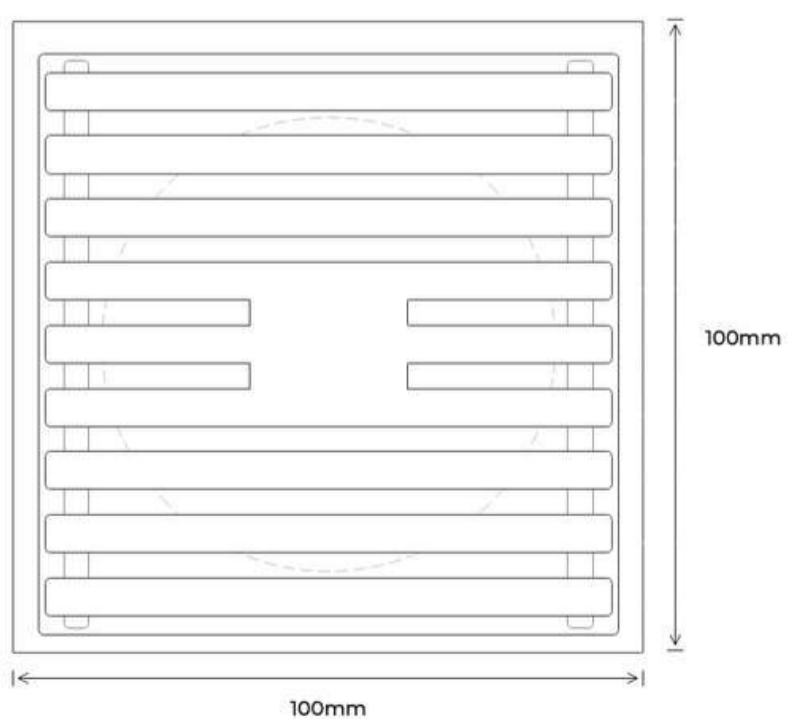
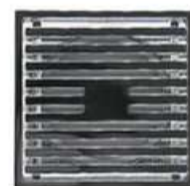
Size: 100mm

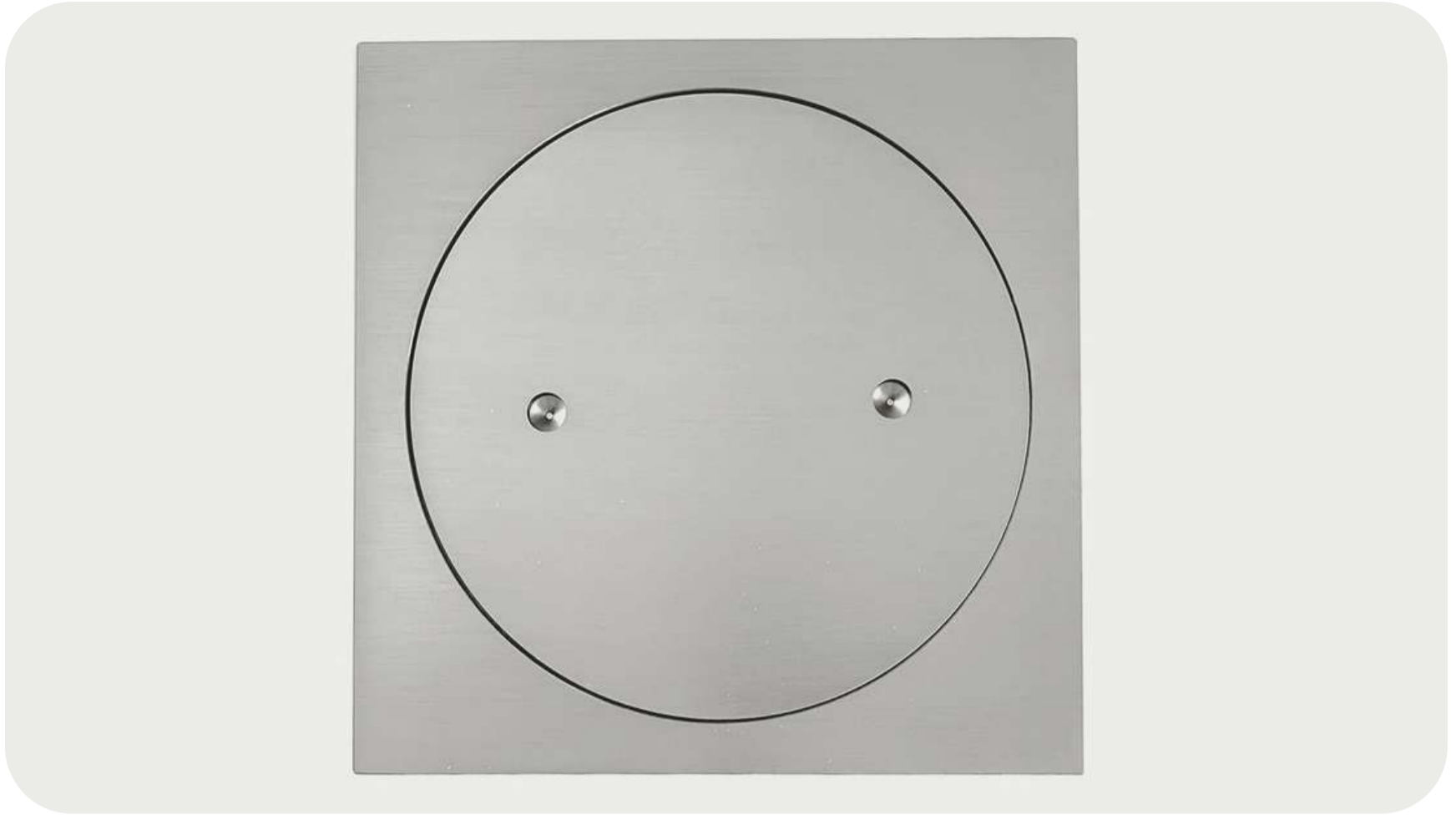
Depth: 9mm

Outlet Size: 80mm

Material: Brass base with electroplated finish

Colours:





PRODUCT CODE: G2G-COC | G2G-COB | G2G-COGS | G2G-CON

SLIMLINE CLEAR OUT POINT DRAIN

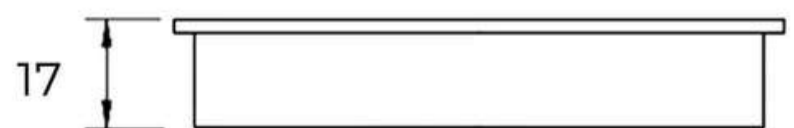
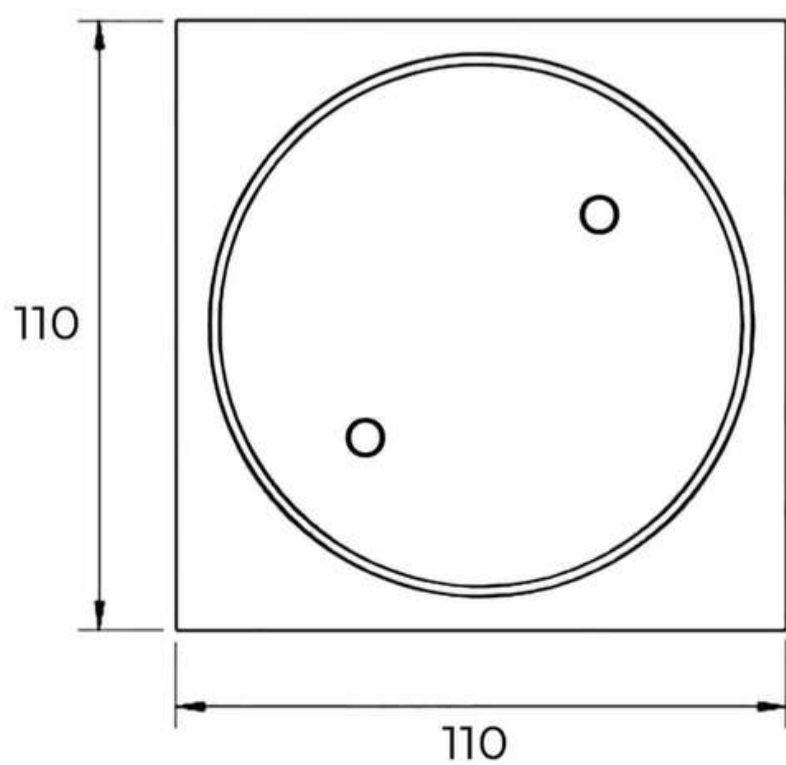
Size: 110mm

Depth: 17mm

Outlet Size: 95mm

Material: Solid brass with electrostatic coating

Colours:

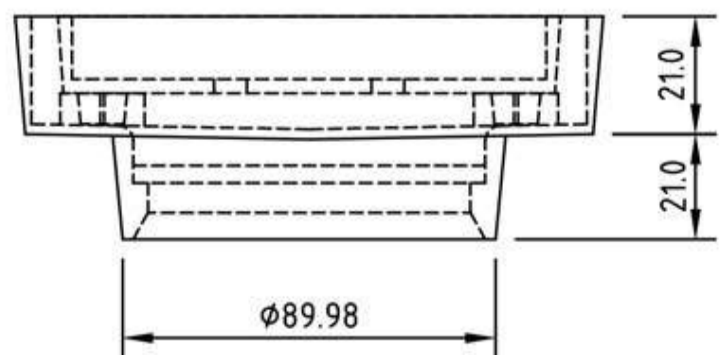
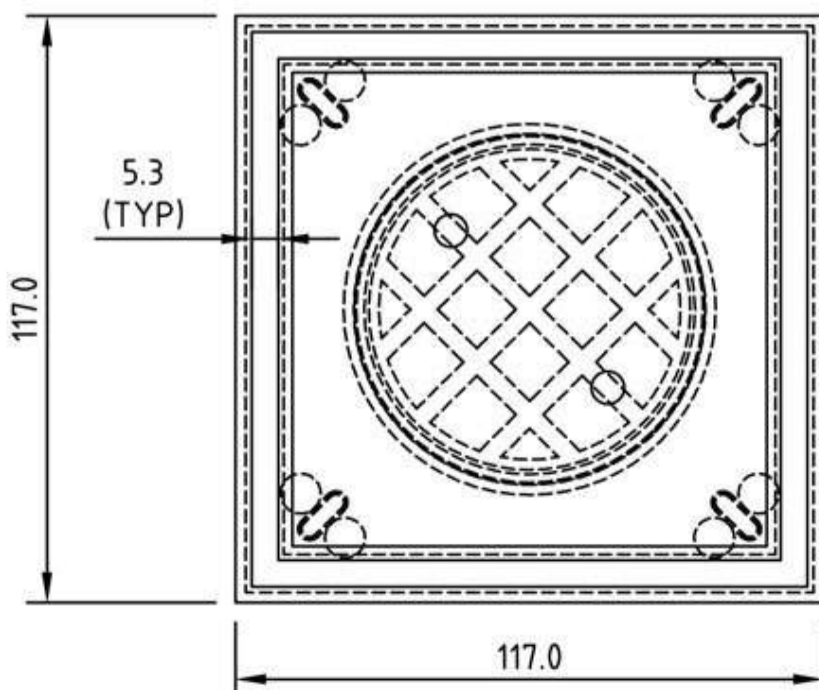


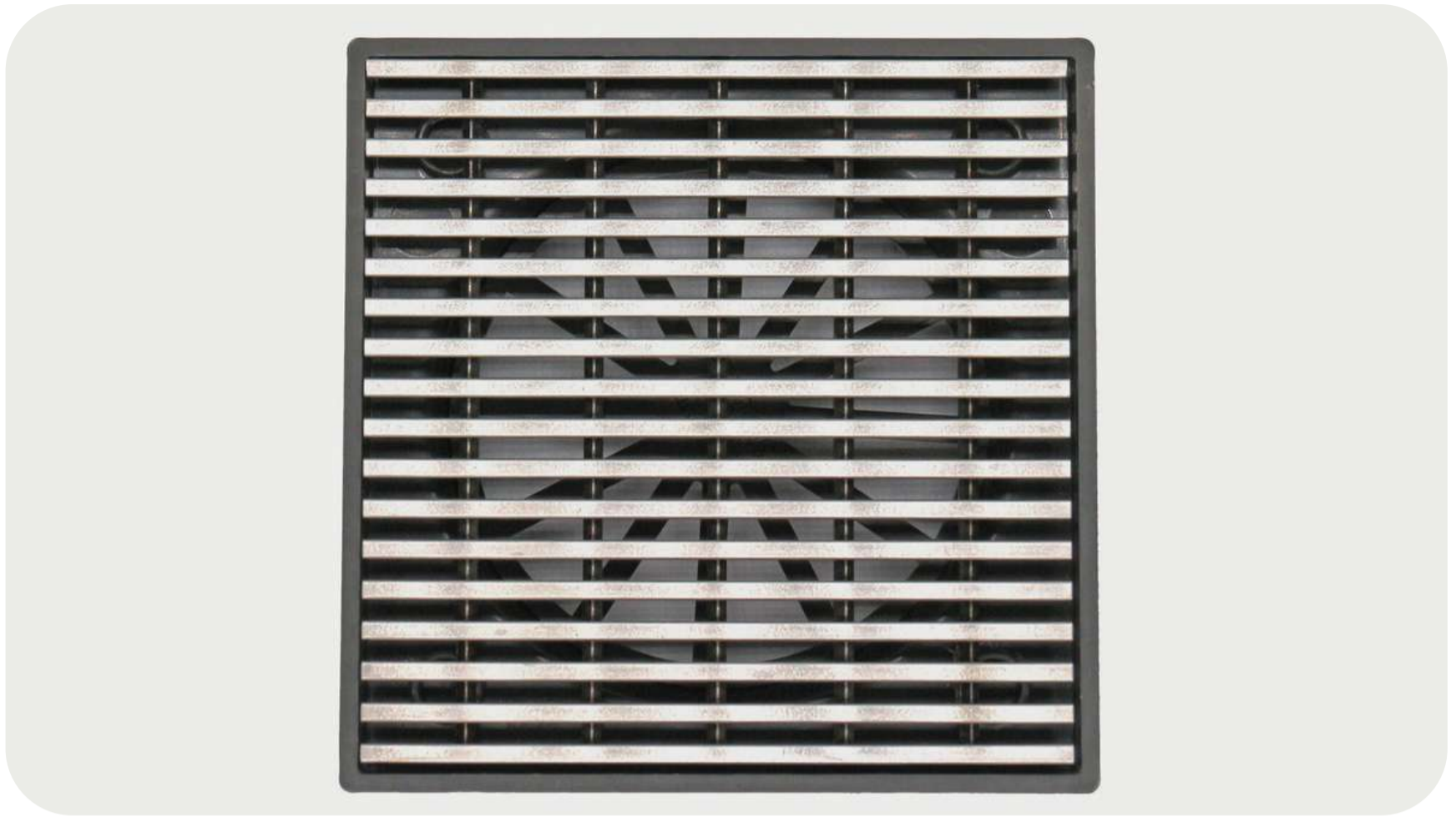


PRODUCT CODE: G2GPV-1G | G2GPV-1B | G2GPV-1W

UPVC SMART TILE POINT DRAIN

- Size: 117mm
Depth: 21mm
Outlet Size: 70mm, 90mm
Material: UPVC
Colours:

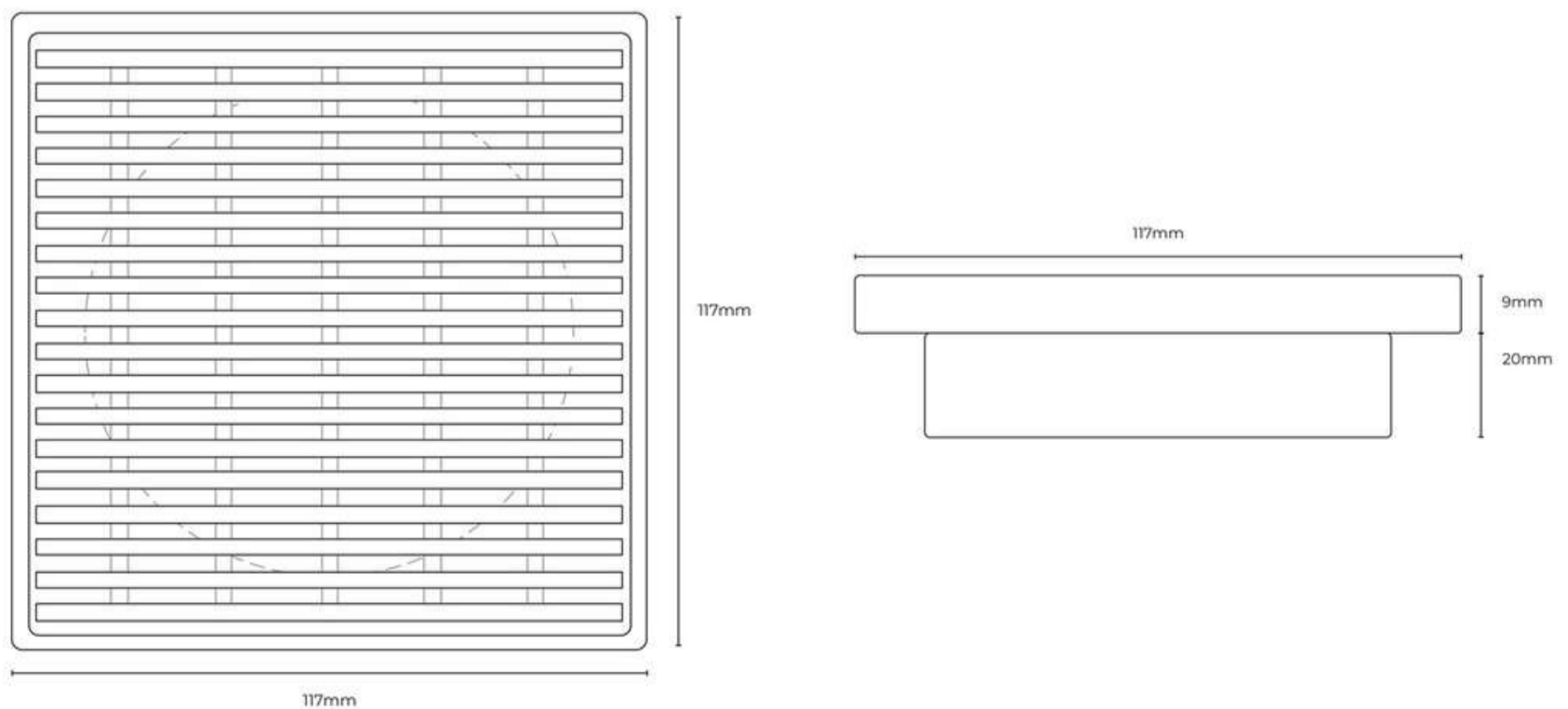


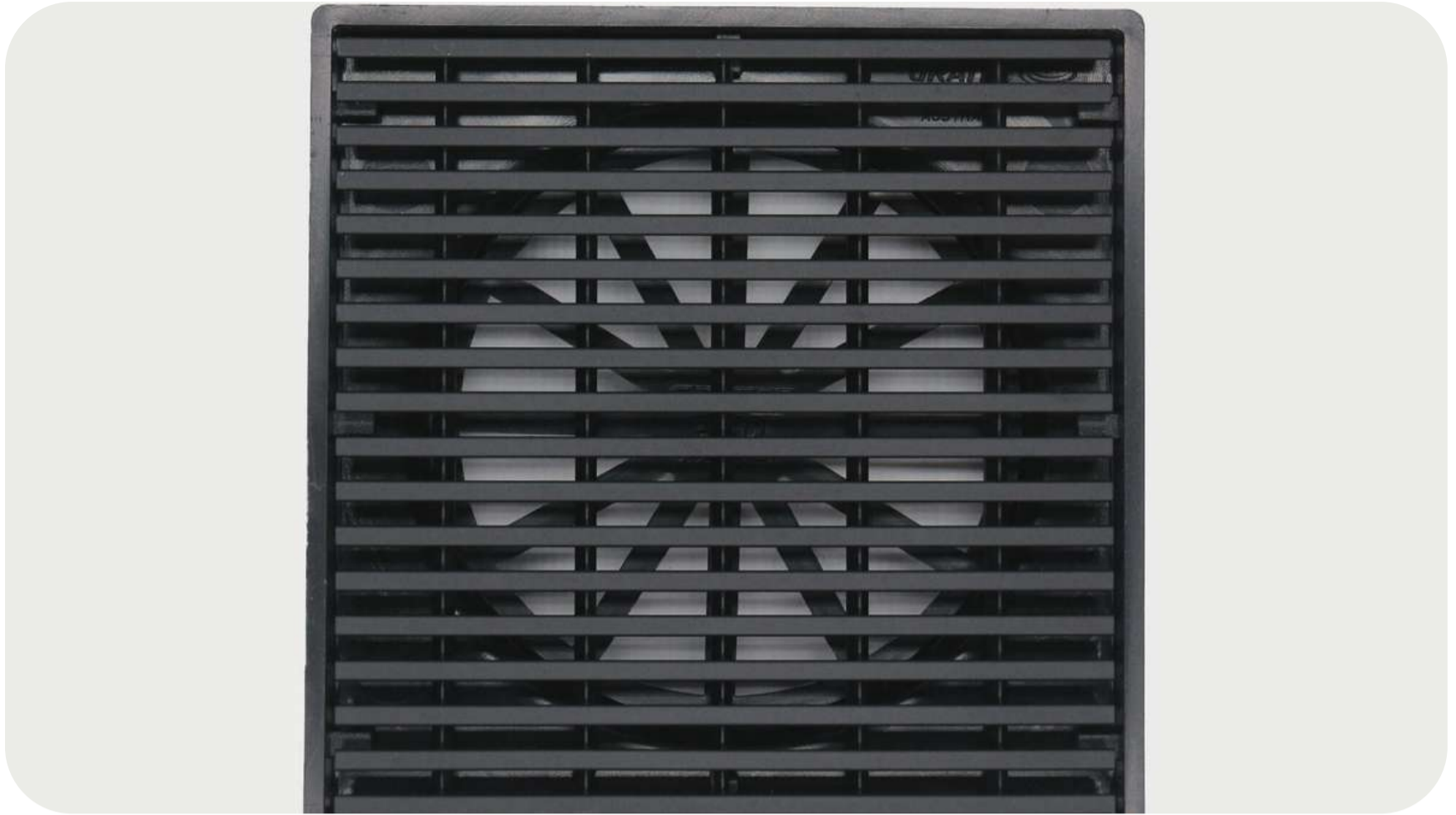


PRODUCT CODE: G2G5B | GG2-7G

UPVC SLIMLINE WEDGE WIRE POINT DRAIN

- Size: 117mm
- Depth: 11mm
- Outlet Size: 90mm
- Material: UPVC Base with Stainless Steel
Grate
- Colours: Grey or Black Base. Stainless
Steel Grate.

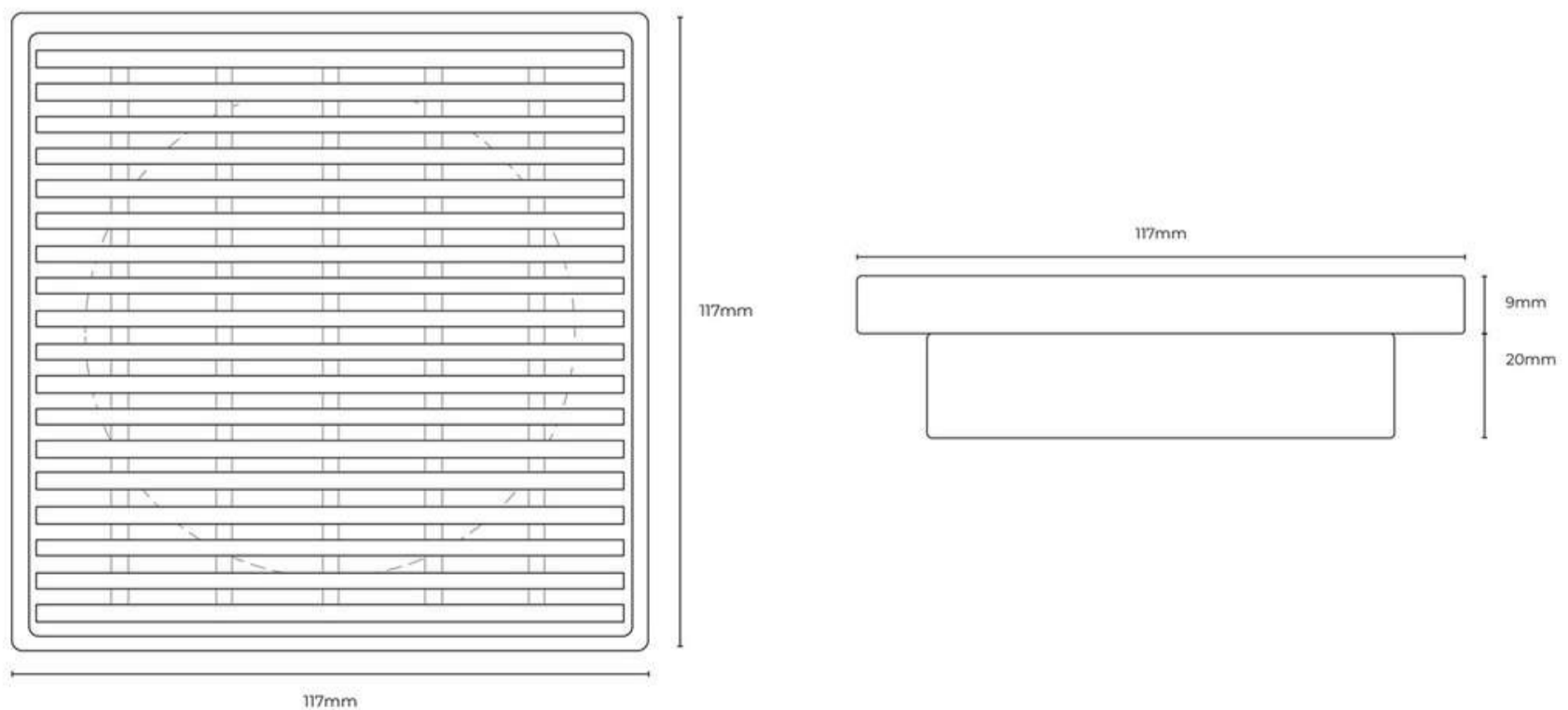


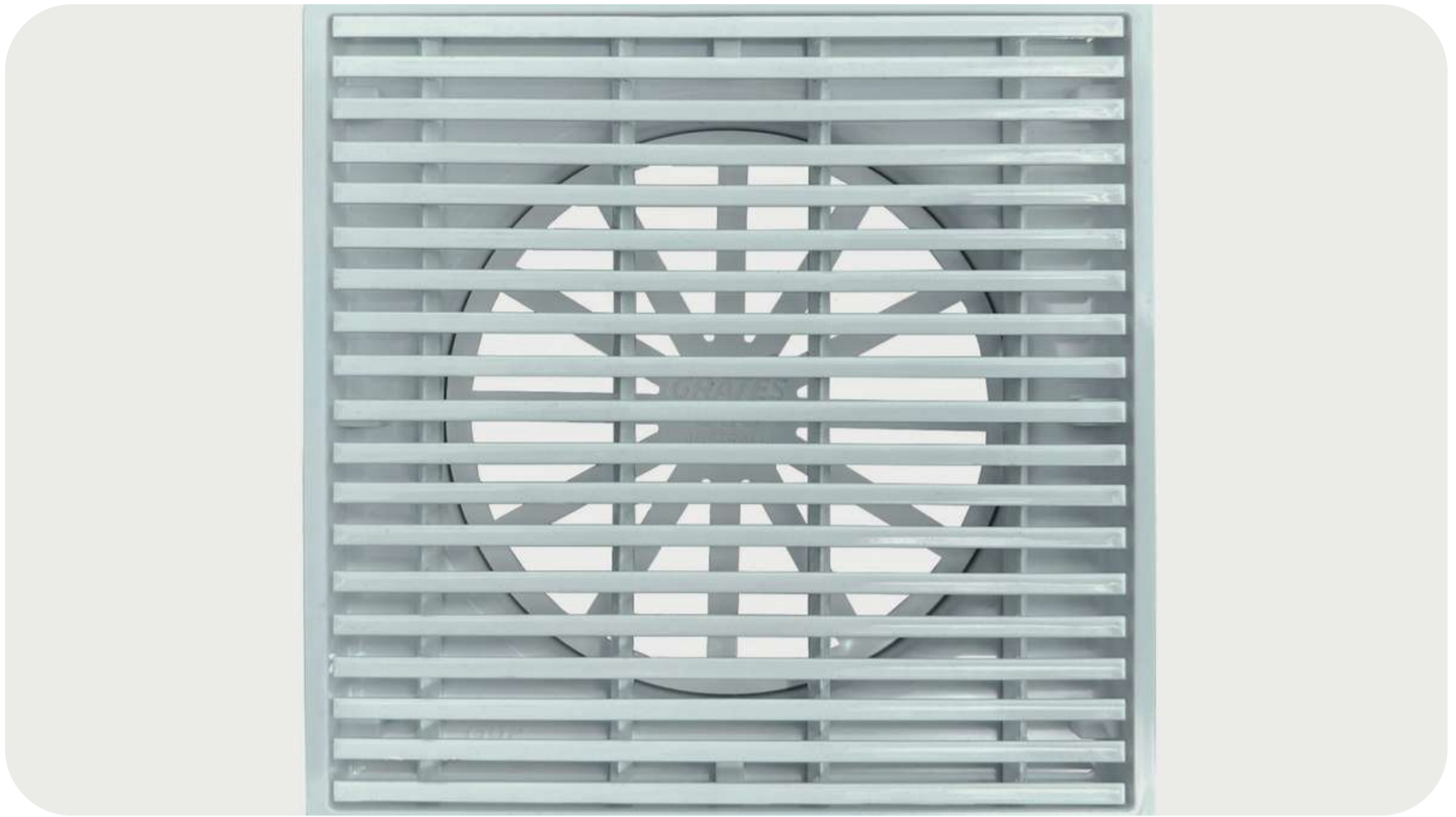


PRODUCT CODE: G2G-6B

UPVC BLACK SLIMLINE WEDGE WIRE POINT DRAIN

Size: 117mm
Depth: 11mm
Outlet Size: 90mm
Material: UPVC Base with Stainless Steel Grate (grate has black electrostatic coating)

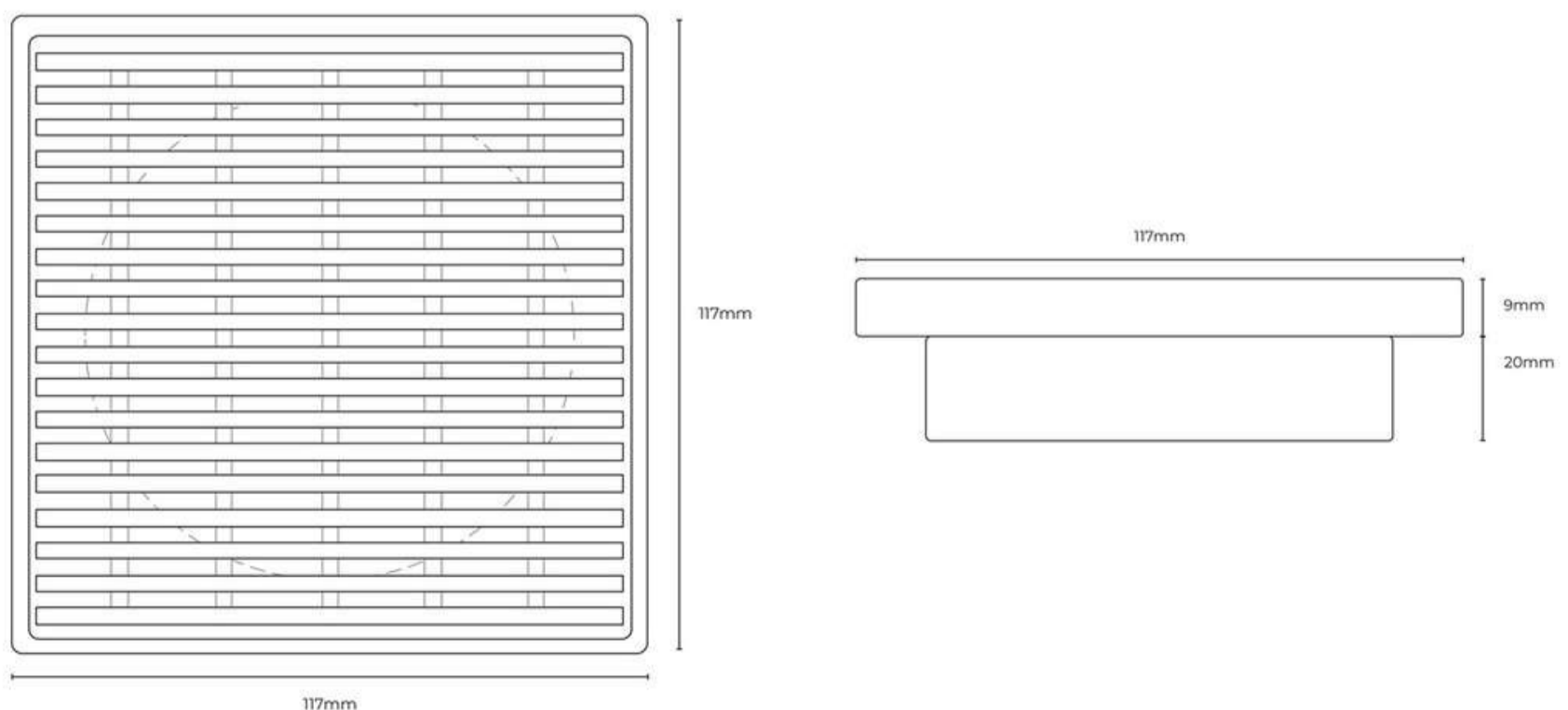




PRODUCT CODE: G2G-11W

UPVC WHITE SLIMLINE WEDGE WIRE POINT DRAIN

Size:	117mm
Depth:	11mm
Outlet Size:	90mm
Material:	UPVC Base with Stainless Steel Grate (grate has white electrostatic coating)



ALUMINIUM DRAINAGE



If you're looking for a drain that is both stylish and functional, then look no further than our Innovation Series. Made from high quality aluminium, our drains are built to last and will look great in any bathroom.

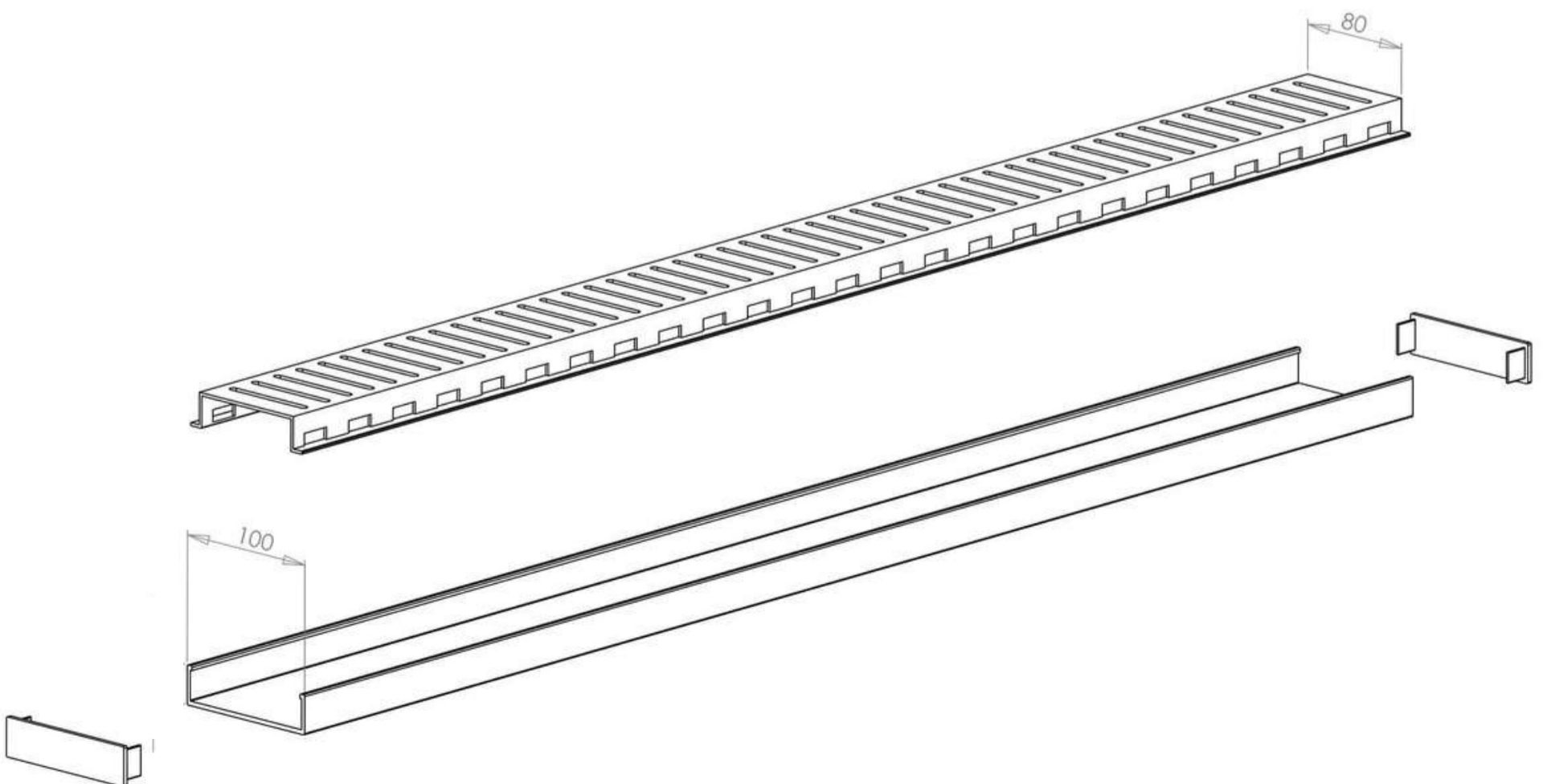
Available in a choice of slotted grate or tile insert strip drain. With a choice of three anodised colours - brushed silver, brushed black and brushed gold. Each strip drain comes with an outlet and a pair of end caps for you to complete installation.



PRODUCT CODE: MS-14GRT-S | MS-21GRT-S | MS-26GRT-S

BRUSHED SILVER SLOTTED GRATE DRAIN

Width:	100mm
Depth:	14mm, 21mm, 26mm
Length:	Custom
Outlet Sizes:	50mm, 80mm
Material:	Anodised aluminium
Contents:	Grate, channel, outlet and end caps

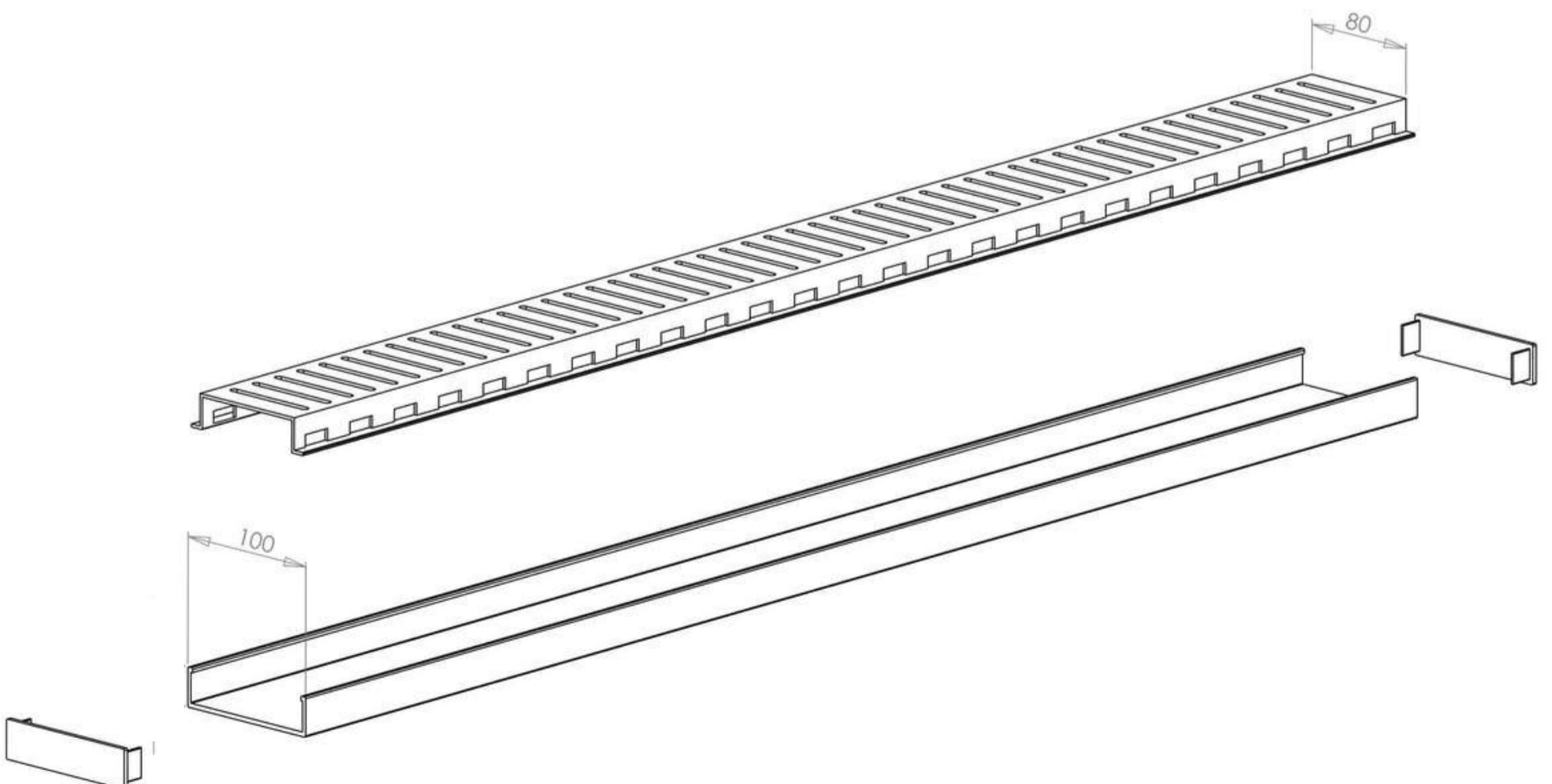


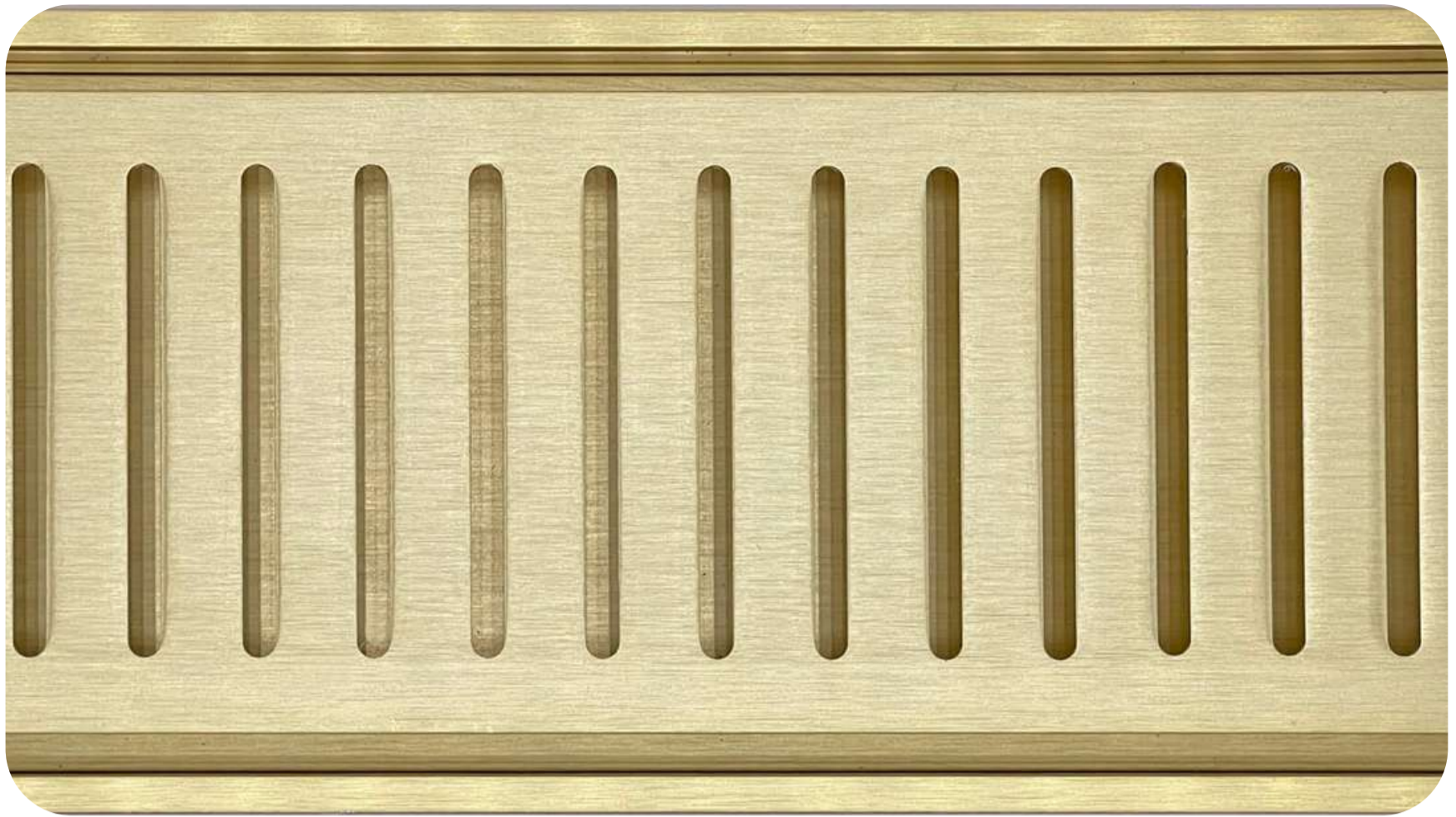


PRODUCT CODE: MS-14GRTS-B | MS-21GRT-B | MS-26GRT-B

BRUSHED BLACK SLOTTED GRATE DRAIN

Width:	100mm
Depth:	14mm, 21mm, 26mm
Length:	Custom
Outlet Sizes:	50mm, 80mm
Material:	Anodised aluminium
Contents:	Grate, channel, outlet and end caps

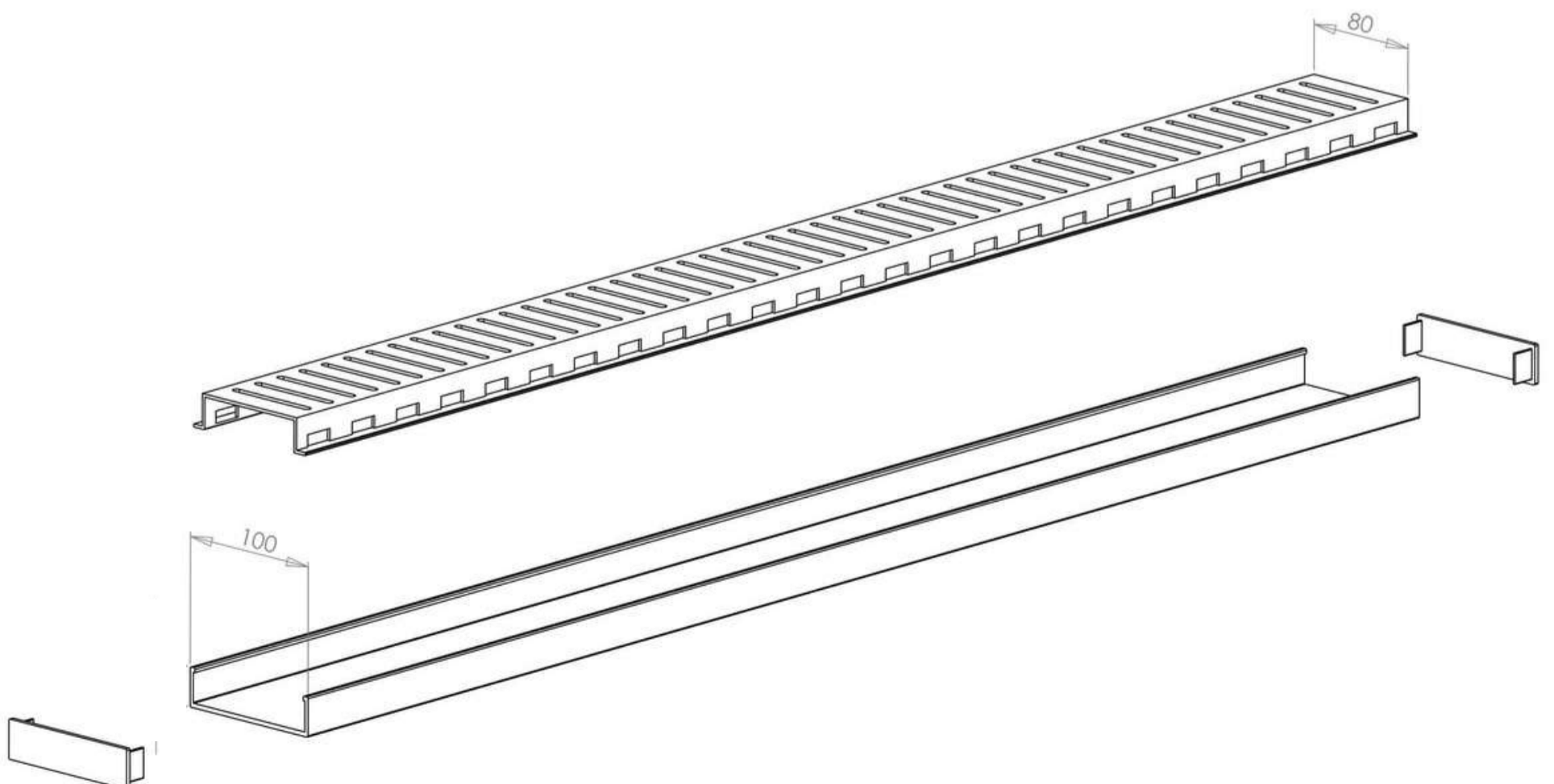




PRODUCT CODE: MS-14GTR-G | MS-21GRT-G | MS-26GRT-G

BRUSHED GOLD SLOTTED GRATE DRAIN

Width:	100mm
Depth:	14mm, 21mm, 26mm
Length:	Custom
Outlet Sizes:	50mm, 80mm
Material:	Anodised aluminium
Contents:	Grate, channel, outlet and end caps

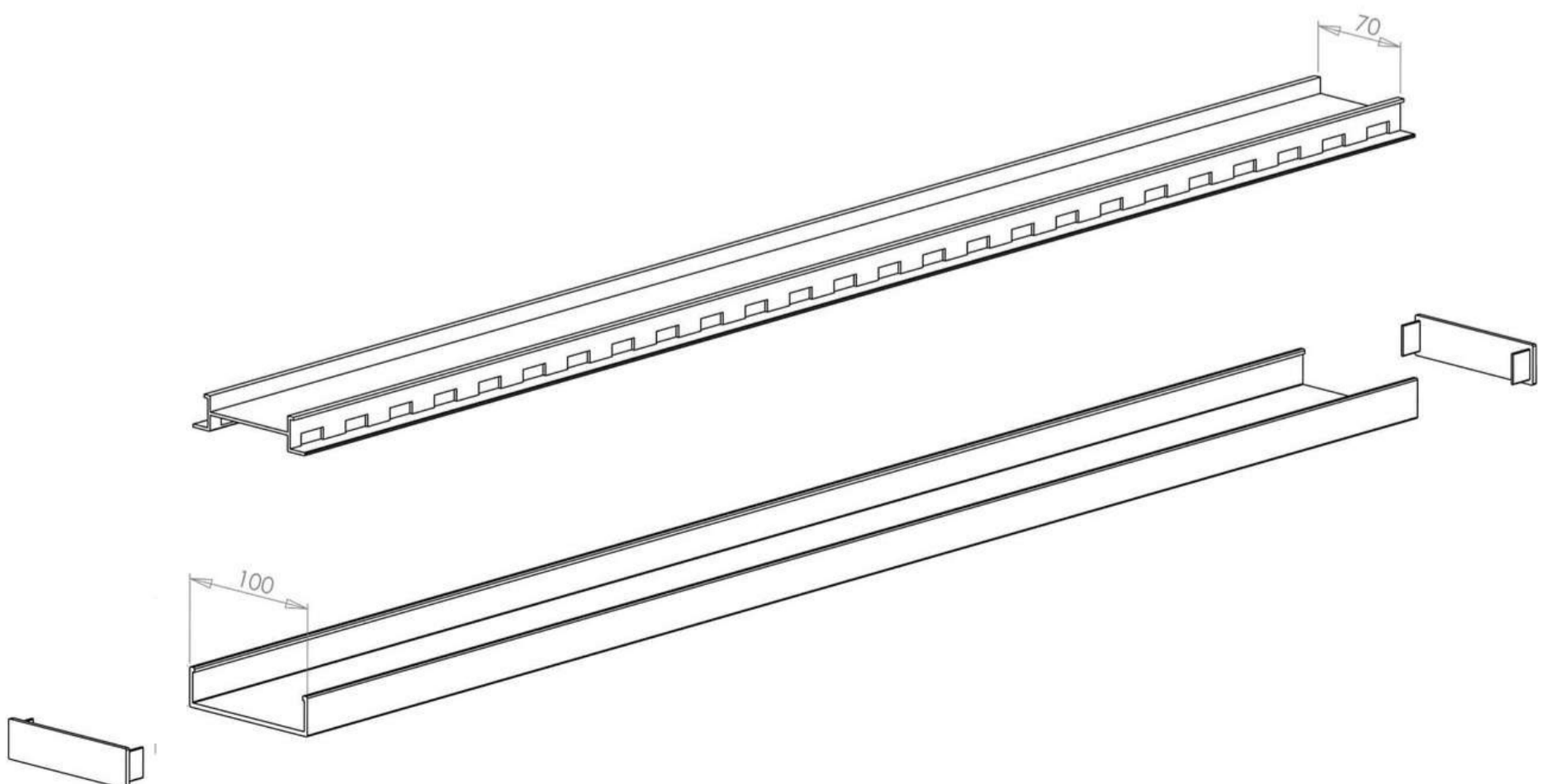


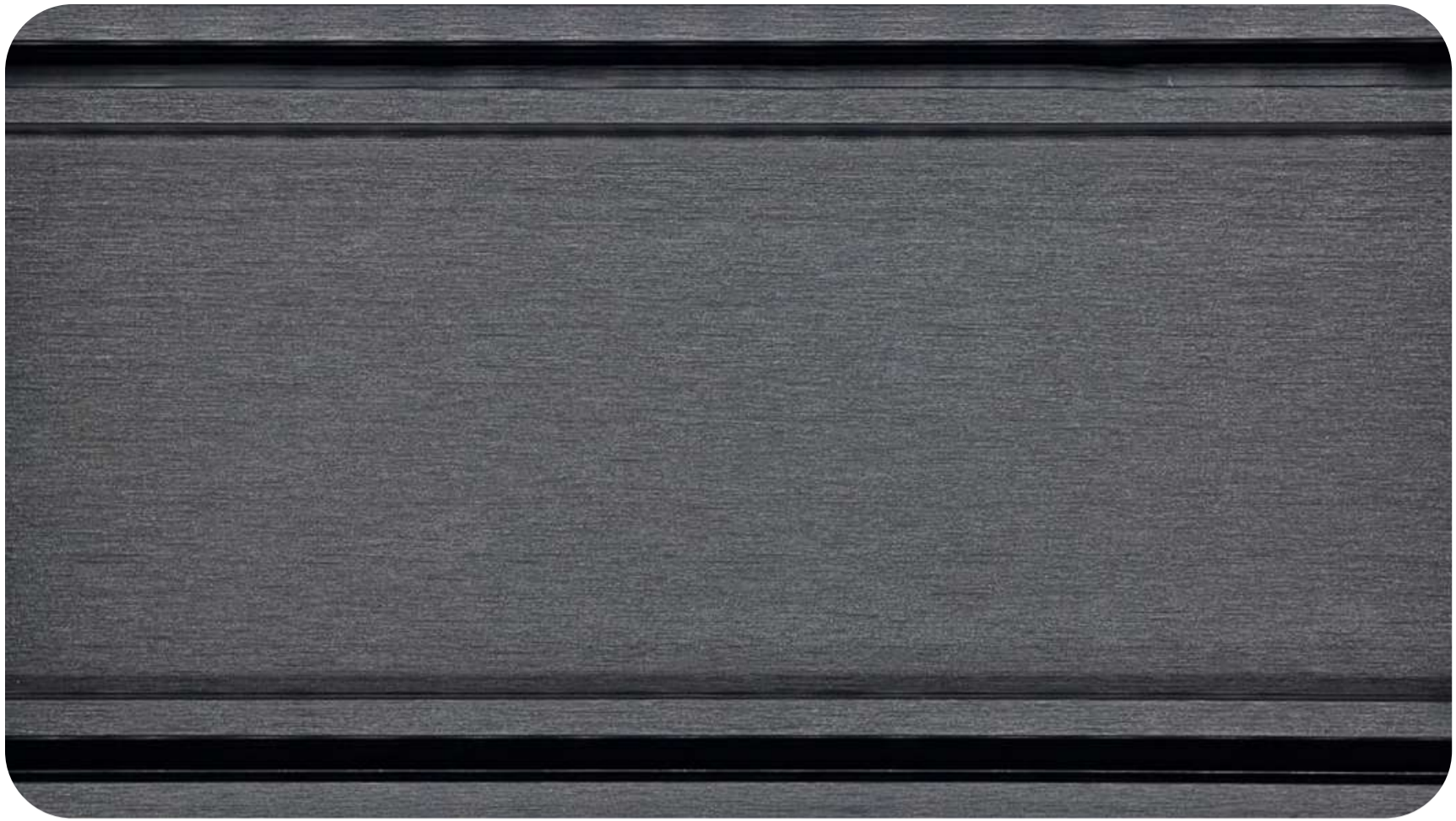


PRODUCT CODE: MS-21TIG-S | MS-26TIG-S

BRUSHED SILVER TILE INSERT DRAIN

Width:	100mm
Depth:	21mm, 26mm
Length:	Custom
Outlet Sizes:	50mm, 80mm
Material:	Anodised aluminium
Contents:	Grate, channel, outlet and end caps

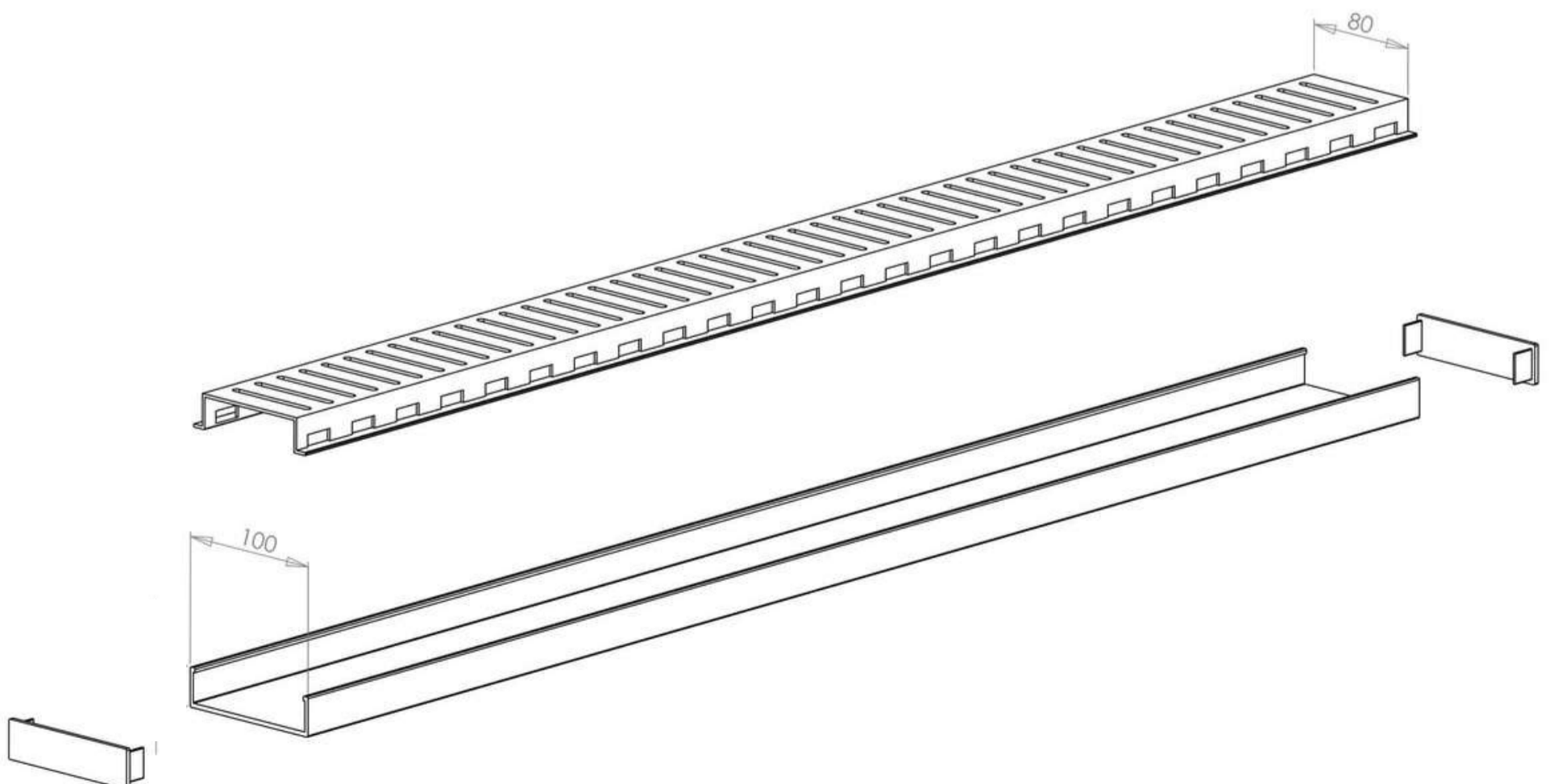




PRODUCT CODE: MS-21TIG-B | MS-26TIG-B

BRUSHED BLACK TILE INSERT DRAIN

Width:	100mm
Depth:	21mm, 26mm
Length:	Custom
Outlet Sizes:	50mm, 80mm
Material:	Anodised aluminium
Contents:	Grate, channel, outlet and end caps

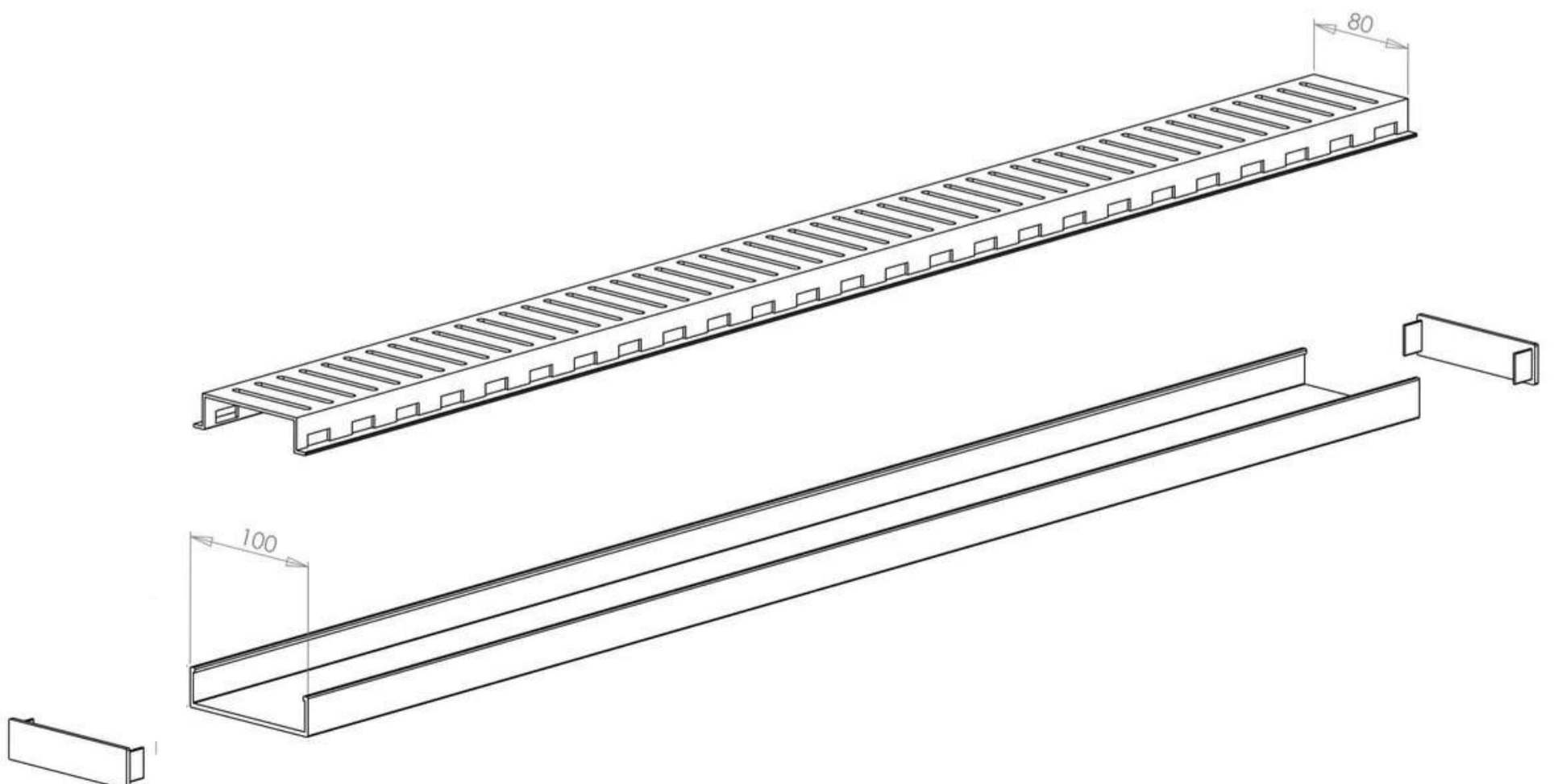




PRODUCT CODE: MS-26TIG-G | MS-26TIG-G

BRUSHED GOLD TILE INSERT DRAIN

Width:	100mm
Depth:	14mm, 21mm, 26mm
Length:	Custom
Outlet Sizes:	50mm, 80mm
Material:	Anodised aluminium
Contents:	Grate, channel, outlet and end caps





PRODUCT CODE: MS-PW50-SILVER | MS-PW80-SILVER

BRUSHED SILVER OUTLET

Width: 50mm, 80mm

Material: Anodised aluminium



PRODUCT CODE: MS-PW50-BLACK | MS-PW80-BLACK

BRUSHED BLACK OUTLET

Width: 50mm, 80mm

Material: Anodised aluminium

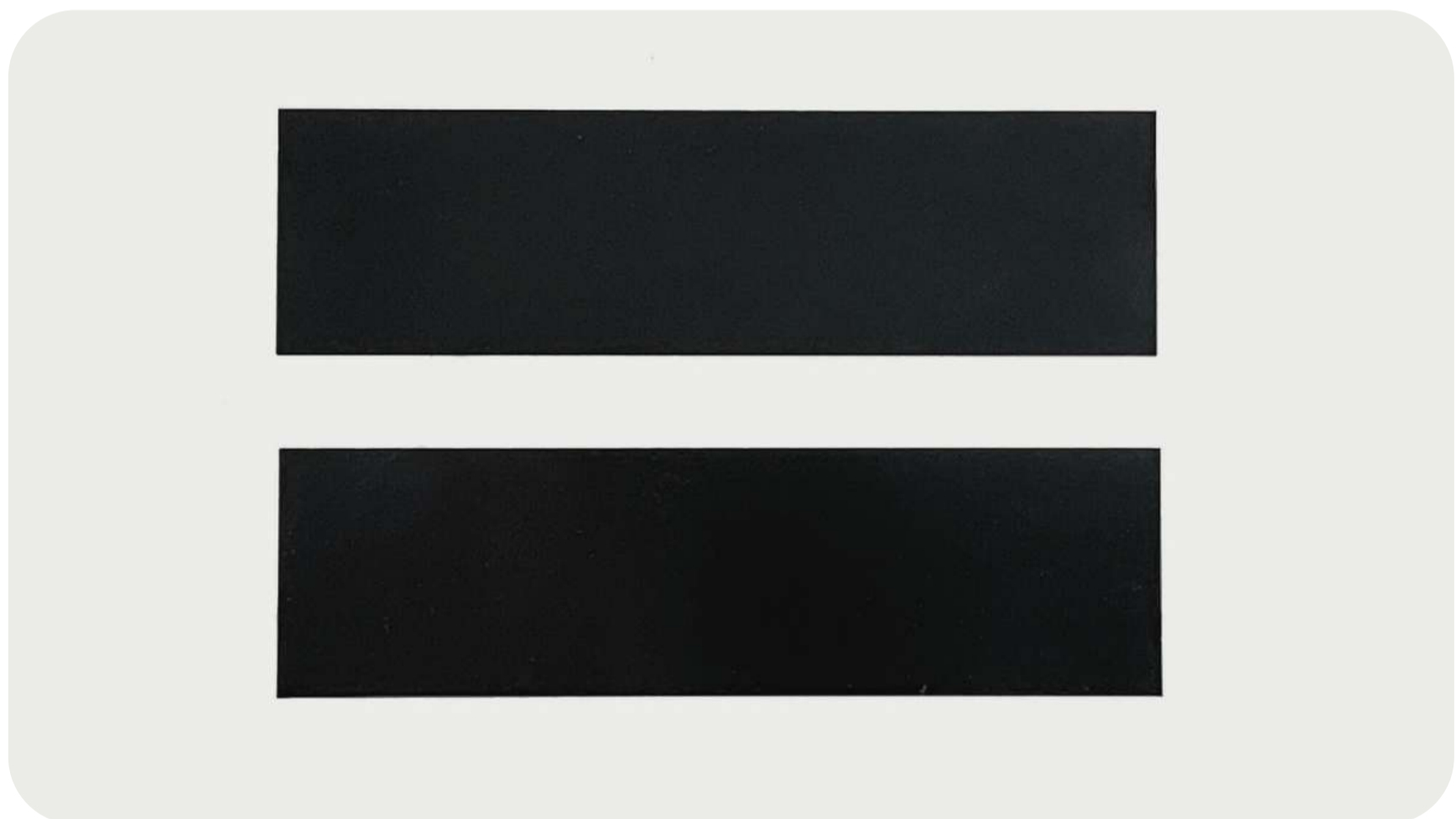


PRODUCT CODE: MS-PW50-GOLD | MS-PW80-GOLD

BRUSHED GOLD OUTLET

Width: 50mm, 80mm

Material: Anodised aluminium



PRODUCT CODE: MS-26JOINER-S/B/G, MS-14JOINER-S/B/G

DRAIN JOINERS

Length: 80mm

Width: 22mm

Colours: Brushed Silver/Black/Gold

Material: Anodised aluminium



PRODUCT CODE: MS-26CORNER-S/B/G, MS-14CORNER-S/B/G

DRAIN CORNERS

Length:	40mm
Width:	22mm
Colours:	Brushed Silver/Black/Gold
Material:	Anodised aluminium



PRODUCT CODE: MS-TCT80MM

HOLE SAW KIT

Width:	80mm
--------	------

UPVC MODULAR DRAINAGE



Our UPVC modular kits are an easy do-it-yourself bathroom drainage system, pre-packaged in kit form. The kits contain everything you need to make up a shower grate and channel for your bathroom project.

For longer and larger applications we have modular joining sections and corners to enable you to install long runs or complex configurations.

Our Grates 2 Go Modular system has been fully tested and achieved the WaterMark standard for the Plumbing code of Australia.



PRODUCT CODE: G2GAM1250-TI-B | G2GAM1250-TI-G

UPVC TILE INSERT MODULAR KIT

Width: 100mm
Depth: 25mm
Length: 1250mm
Outlet Sizes: 43mm, 70mm, 83mm
Material: UPVC
Colours: Grey



Black



The kit contains:



UPVC Tile Insert Channel

UPVC Base Channel

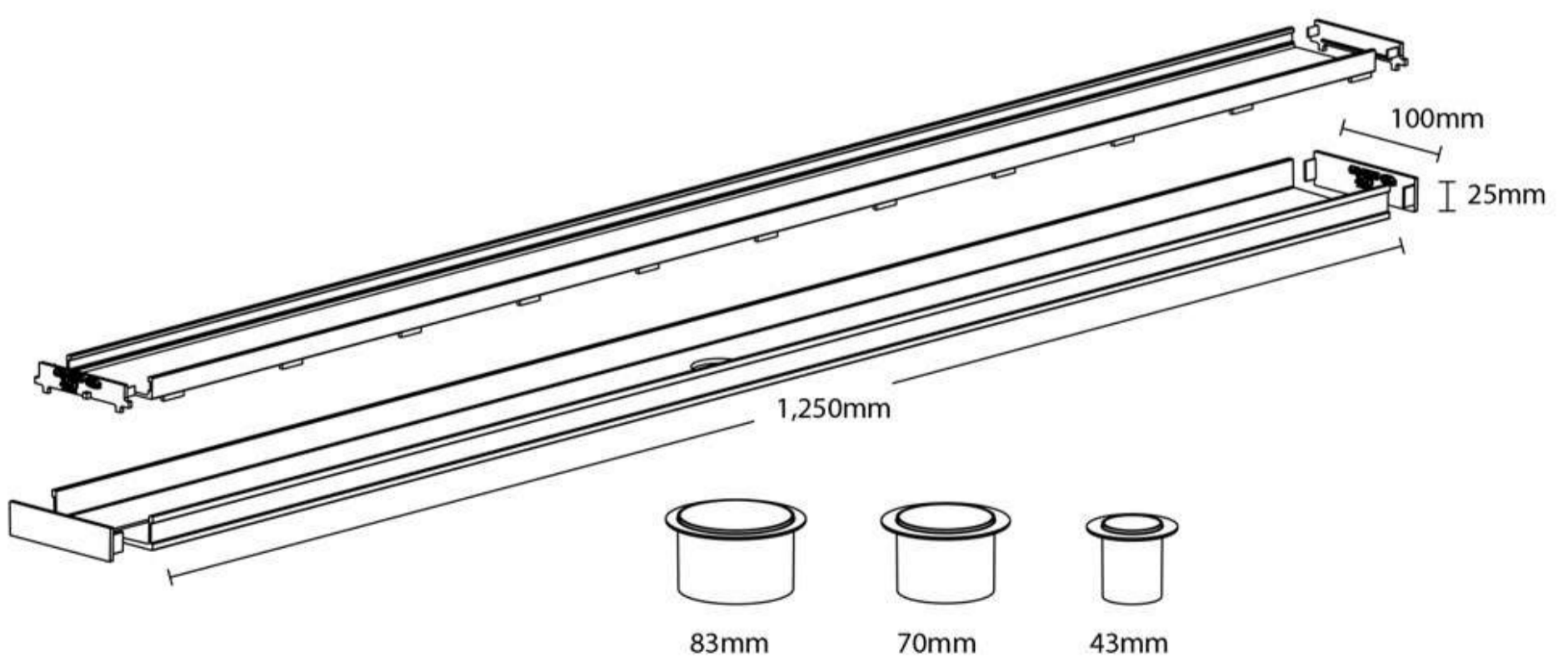
UPVC Insert Channel End Caps

UPVC Base Channel End Caps

UPVC Outlets (43mm, 70mm, & 83mm)

3 x Holesaws

Silicone





PRODUCT CODE: G2GAM1250-WW-B | G2GAM1250-WW-G

UPVC WEDGE WIRE MODULAR KIT

Width: 100mm

Depth: 25mm

Length: 1250mm

Outlet Sizes: 43mm, 70mm, 83mm

Material: 316 grade stainless steel grate with UPVC channel, outlet and end caps

Colours: Grey



Black



The kit contains:



Stainless Steel Wedge Wire Grate

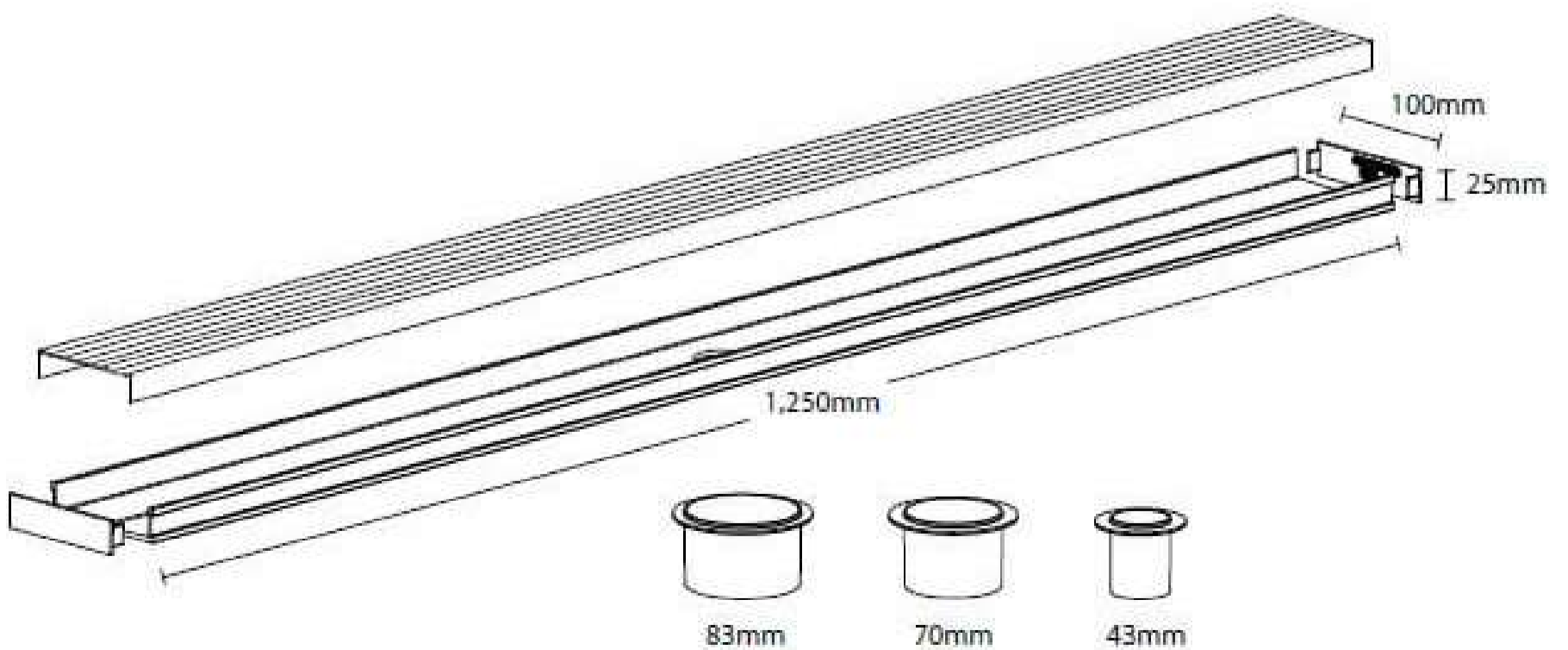
UPVC Base Channel

UPVC Base Channel End Caps

UPVC Outlets (43mm, 70mm, & 83mm)

3 x Holesaws

Silicone





PRODUCT CODE: G2GAM1250-SFP-B | G2GAM1250-SFP-G

UPVC FLOW PATTERN MODULAR KIT

Width: 100mm

Depth: 25mm

Length: 1250mm

Outlet Sizes: 43mm, 70mm, 83mm

Material: 316 grade stainless steel grate with UPVC channel, outlet and end caps

Colours: Grey



Black



The kit contains:



Stainless Steel Flow Pattern Grate

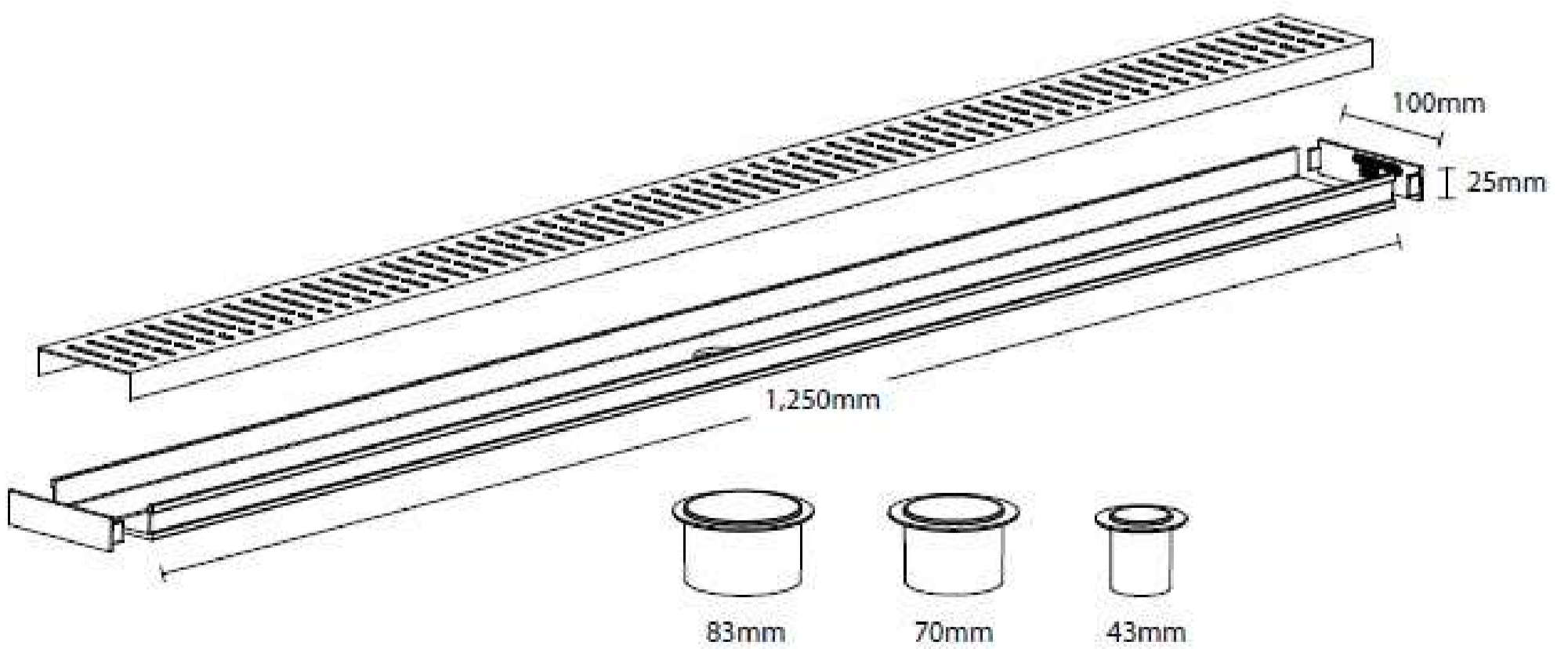
UPVC Base Channel

UPVC Base Channel End Caps

UPVC Outlets (43mm, 70mm, & 83mm)

3 x Holesaws

Silicone





PRODUCT CODE: G2GAM1250-BP-B | G2GAM1250-BP-G

UPVC BRICK PATTERN MODULAR KIT

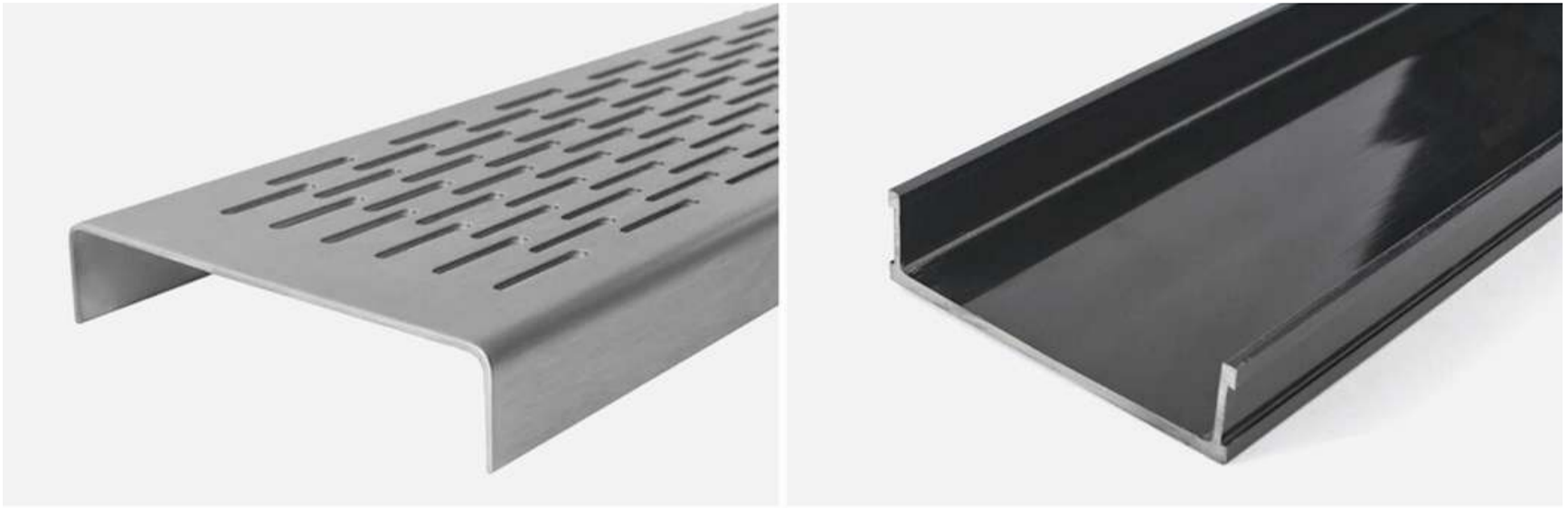
Width:	100mm
Depth:	25mm
Length:	1250mm
Outlet Sizes:	43mm, 70mm, 83mm
Material:	316 grade stainless steel grate with UPVC channel, outlet and end caps
Colours:	Grey



Black



The kit contains:



Stainless Steel Brick Pattern Grate

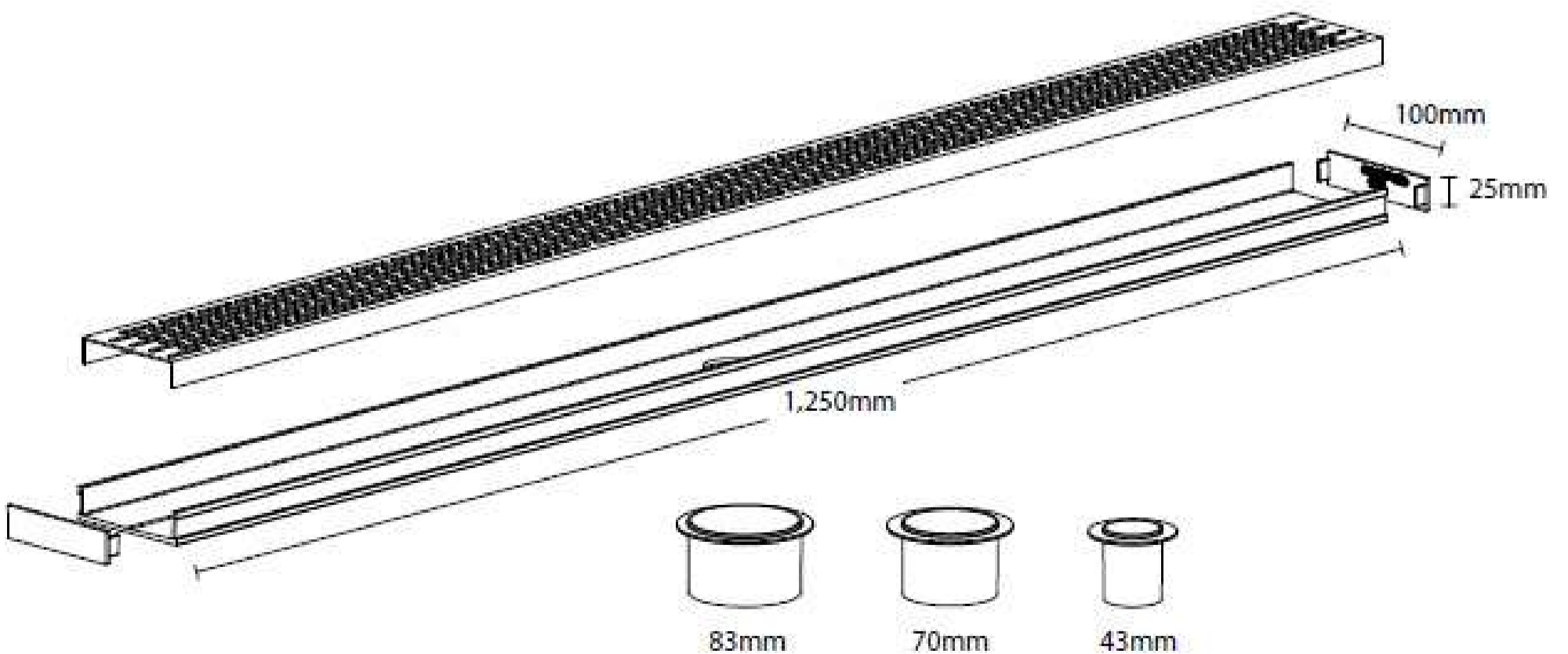
UPVC Base Channel

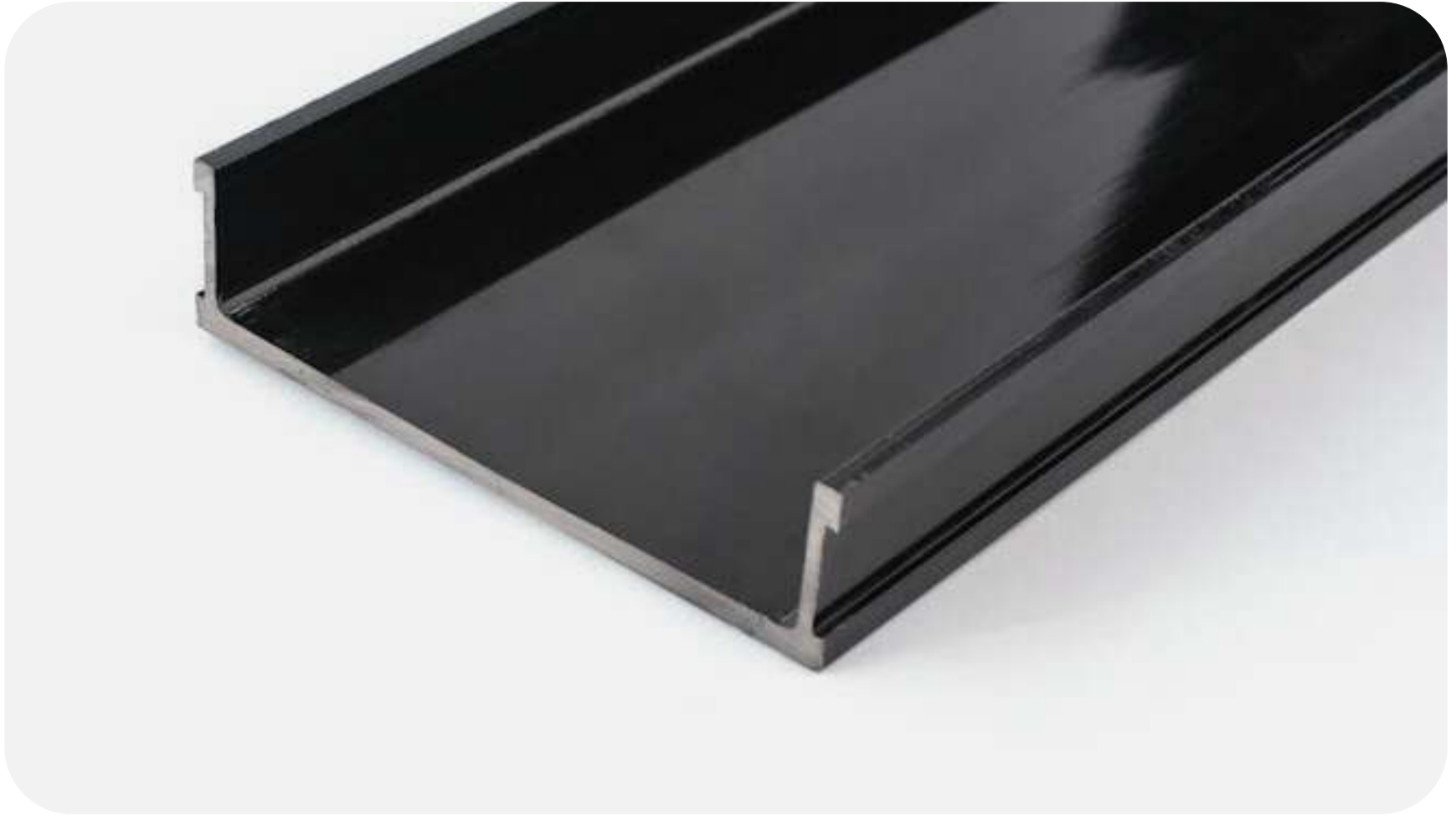
UPVC Base Channel End Caps

UPVC Outlets (43mm, 70mm, & 83mm)

3 x Holesaws

Silicone





PRODUCT CODE: G2GABC

UPVC MODULAR BASE CHANNEL

Width:	100mm
Depth:	25mm
Lengths:	1000mm, 1250mm, 1500mm, 2000mm, 3000mm
Material:	UPVC
Colours:	Grey, Black



PRODUCT CODE: G2GAJSG | G2GAJSB

UPVC JOINING SECTION

Width:	115mm
Depth:	30mm
Length:	210mm
Material:	UPVC
Colours:	Grey, Black



PRODUCT CODE: G2GAIC

UPVC TILE INSERT TRAY

Width:	100mm
Depth:	25mm
Lengths:	1000mm, 1250mm, 1500mm
Material:	UPVC
Colours:	Grey, Black



PRODUCT CODE: G2GA90CG | G2GA90CB

UPVC 90 DEGREE CORNER

Width:	204mm
Depth:	25mm
Length:	204mm
Material:	UPVC
Colours:	Grey, Black



PRODUCT CODE: G2GABCECB | G2GABCECG

UPVC BASE CHANNEL END CAP

Width:	13mm
Depth:	25mm
Length:	100mm
Material:	UPVC
Colours:	Grey, Black



PRODUCT CODE: G2GATIECB | G2GATIECG

UPVC TILE INSERT TRAY END CAP

Width:	16mm
Depth:	20mm
Length:	94mm
Material:	UPVC
Colours:	Grey, Black



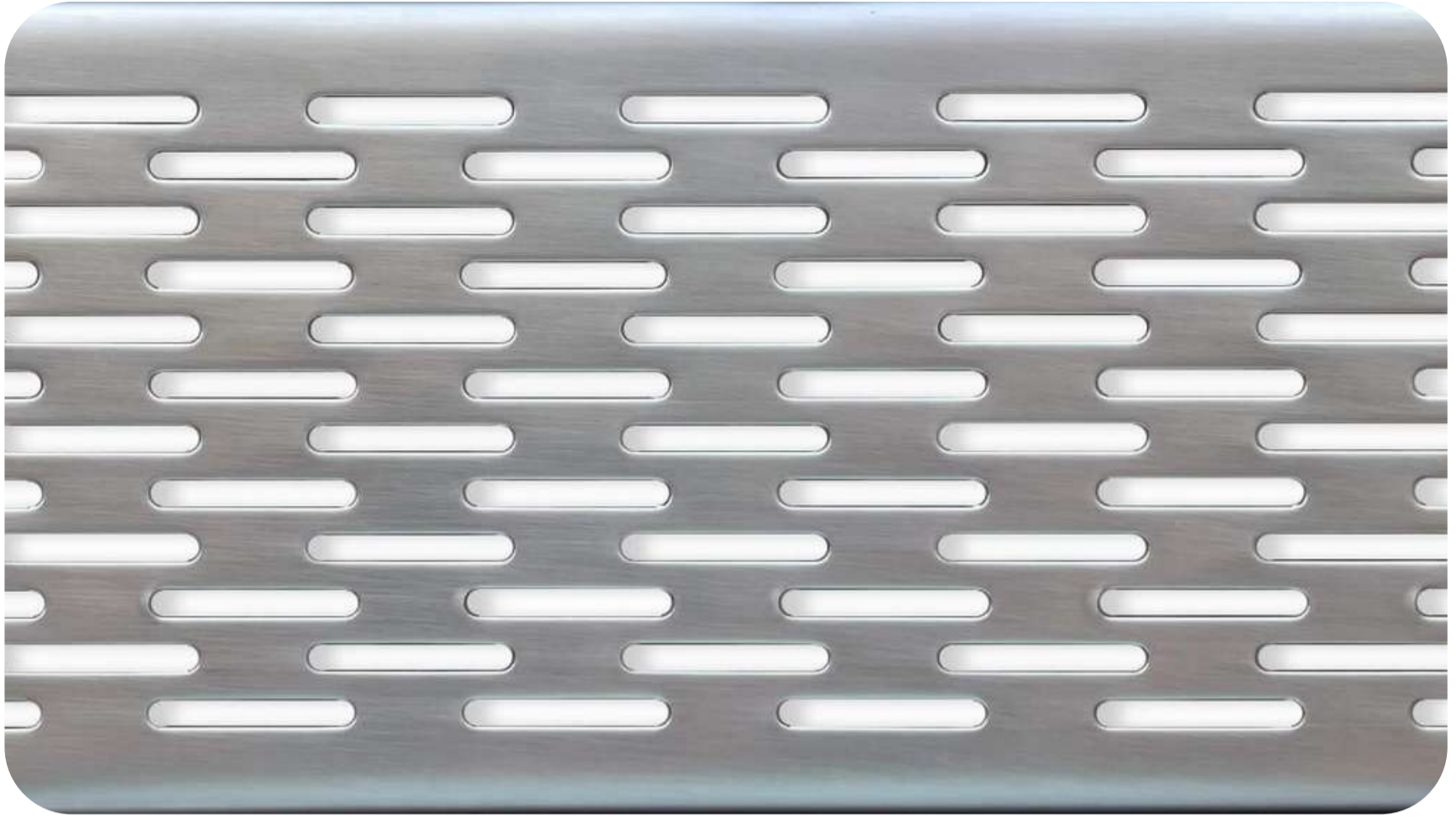
PRODUCT CODE: G2GA43S | G2GA70S | G2GA83S

UPVC SPIGOTS

Width: 43mm, 70mm, 83mm

Material: UPVC

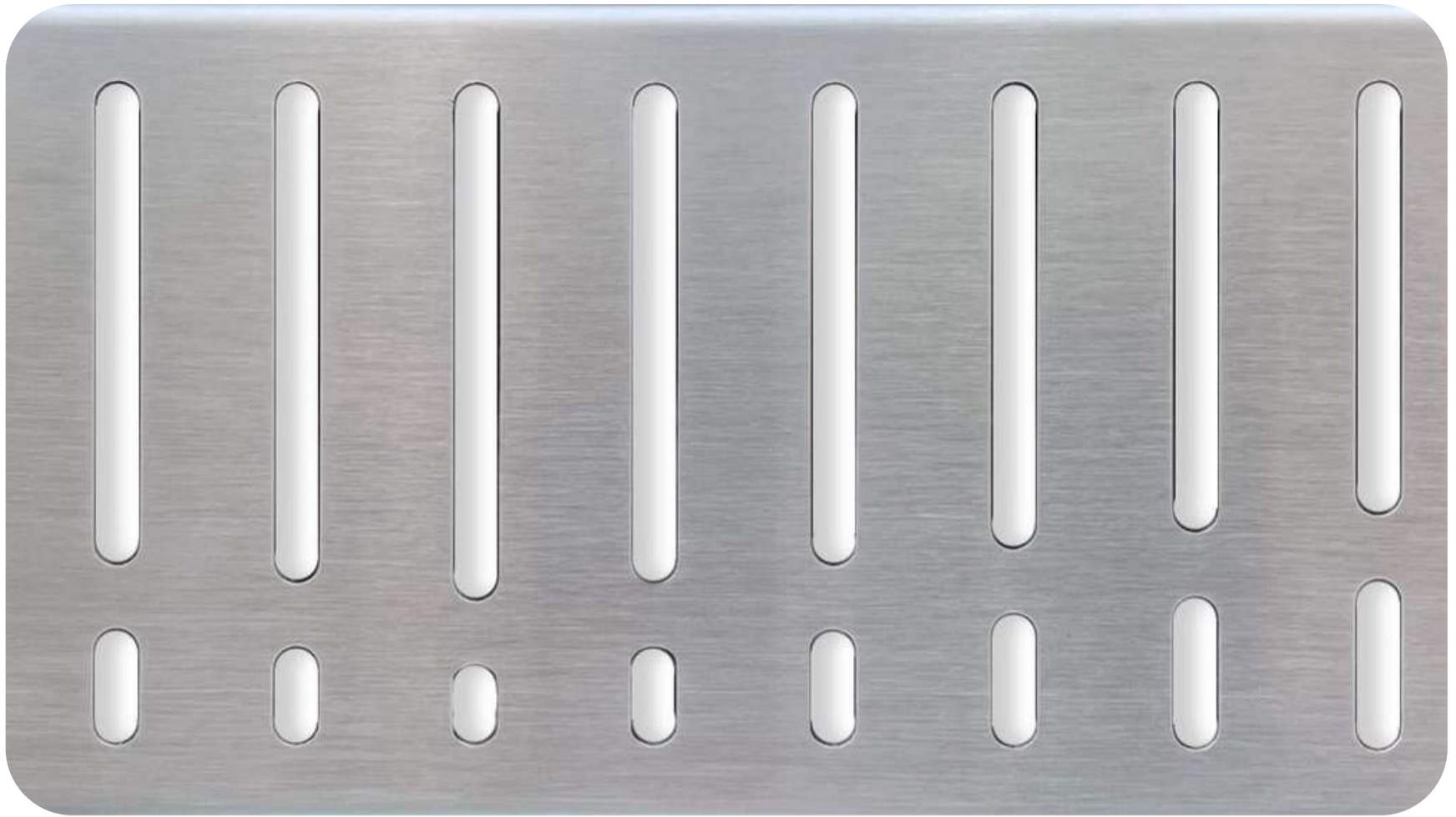
Colours: Grey, Black



PRODUCT CODE: G2GASBPG1000 | G2GASBPG1250 | G2GASBPG1500

BRICK PATTERN GRATE

Width: 94mm
Depth: 20mm
Length: 1000mm, 1250mm, 1500mm
Material: 316 grade stainless steel



PRODUCT CODE: G2GASFPG1000 | G2GASFPG1250 | G2GASFPG1500

FLOW PATTERN GRATE

Width: 94mm
Depth: 20mm
Length: 1000mm, 1250mm, 1500mm
Material: 316 grade stainless steel



PRODUCT CODE: G2GASWWG1000, G2GASWWG1250, G2GASWWG1500

WEDGE WIRE GRATE

Width: 94mm

Depth: 20mm

Length: 1000mm, 1250mm, 1500mm

Material: 316 grade stainless steel

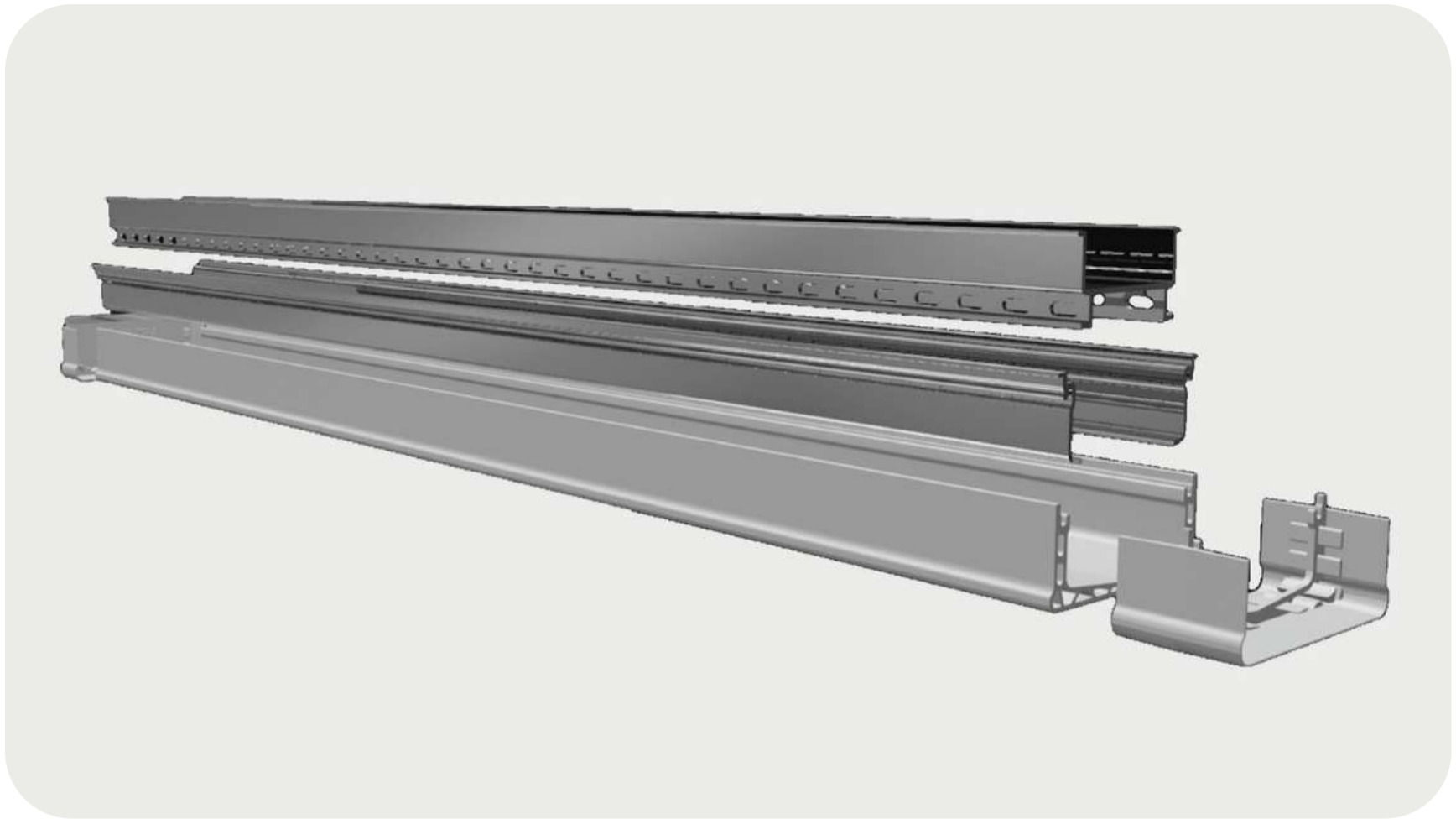
OUTDOOR DRAINAGE



Outdoor drainage is a collection of products and solutions designed to efficiently manage water flow and prevent flooding in outdoor areas.

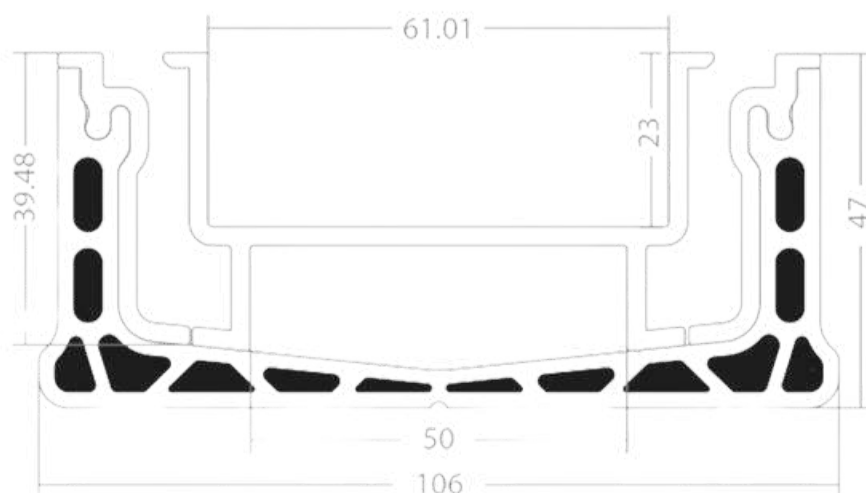
This collection includes a wide range of drainage systems, such as strip drains, as well as accessories like grates, corners, and connectors.

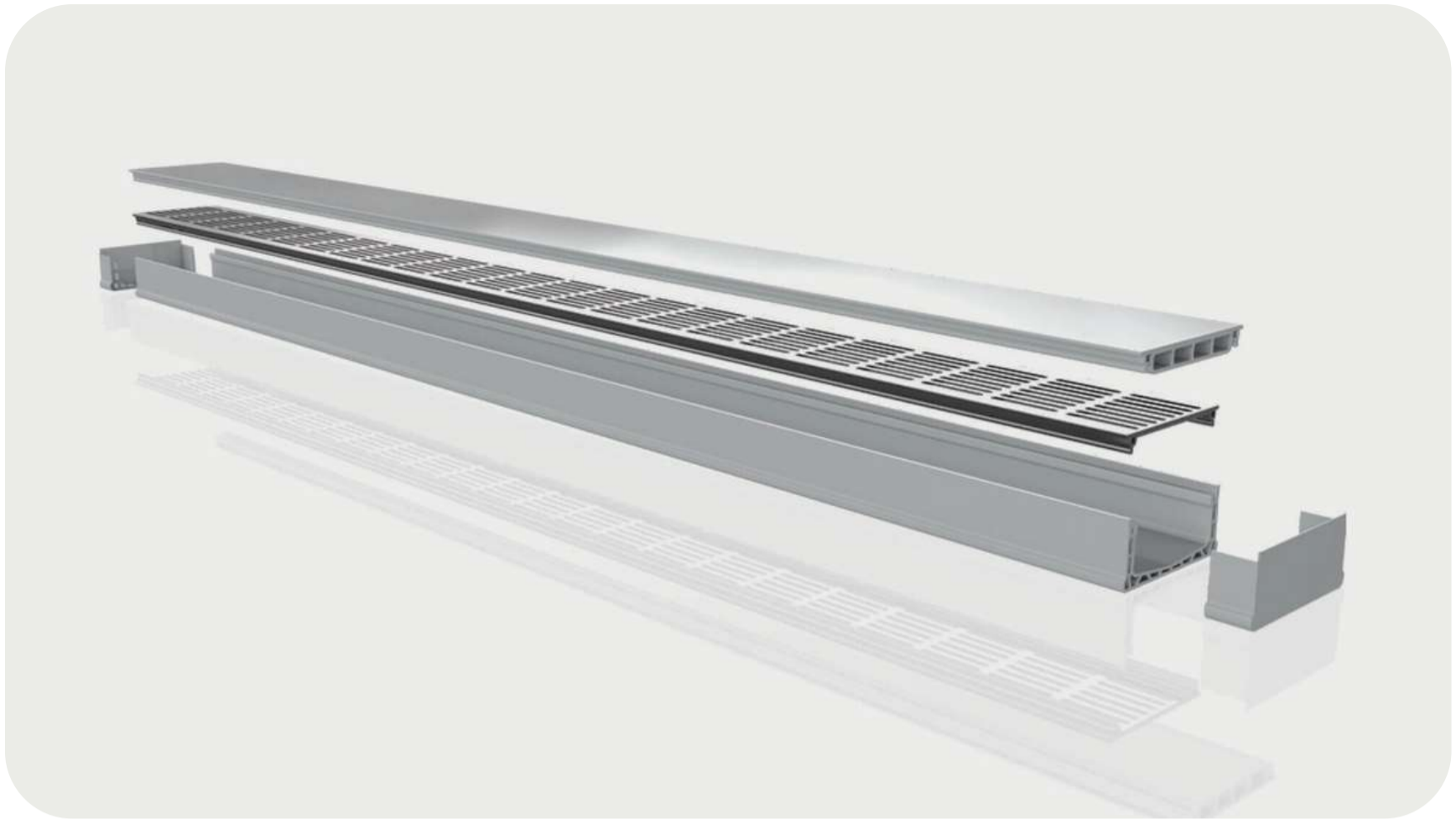
These products are made from durable materials, ensuring long-lasting performance and resistance to weather and environmental factors.



ULTRA EDGE TILE INSERT DRAIN

Width:	I.D: 61mm, O.D.: 73mm, Overall O.D.: 106mm
Height:	47mm
Length:	2000mm
Pipe Sizes:	Spigot O.D.: 69mm,
Pack Options:	1-piece pack (1 x 2000mm length)

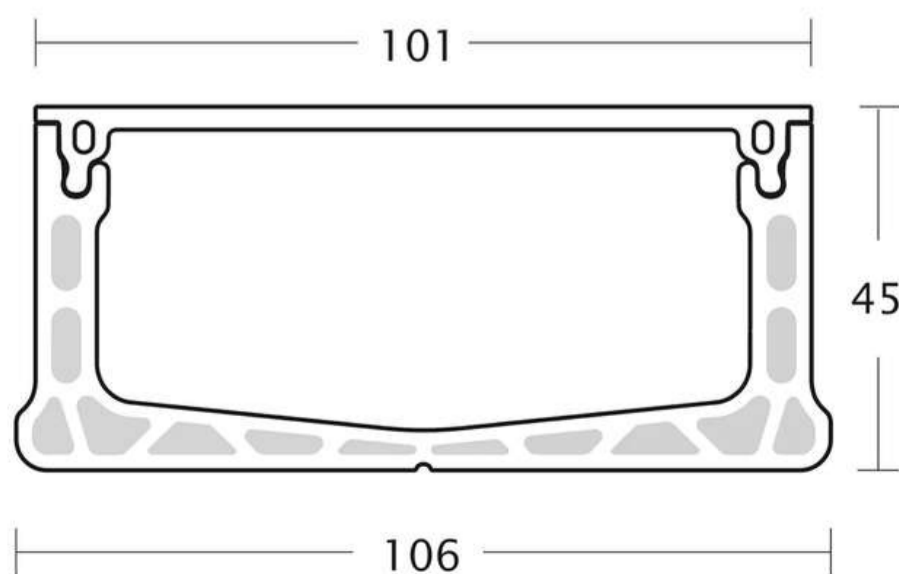




PRODUCT CODE: G2G-UDP45

ULTRA DRAIN PLUS 45 OUTDOOR DRAIN

Width:	I.D: 85mm, O.D.: 101mm, Overall O.D.: 106mm
Height:	45mm
Length:	2000mm
Pipe Sizes:	Spigot O.D.: 68.4mm, Bottom Outlet O.D.: 68mm
Pack Options:	1-piece pack (1 x 2000mm length) 2-piece pack (2 x 2000mm lengths)

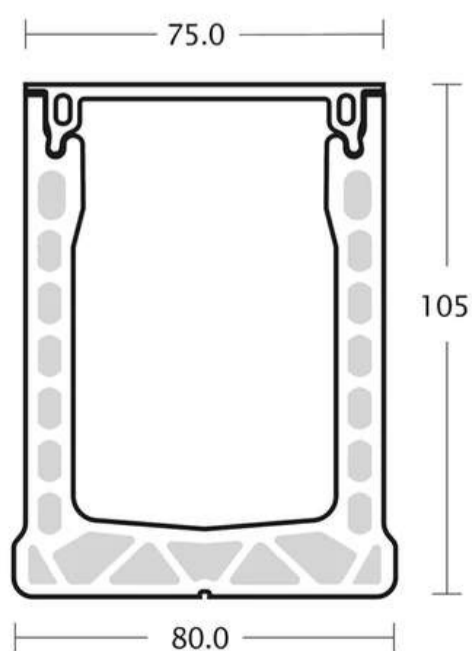


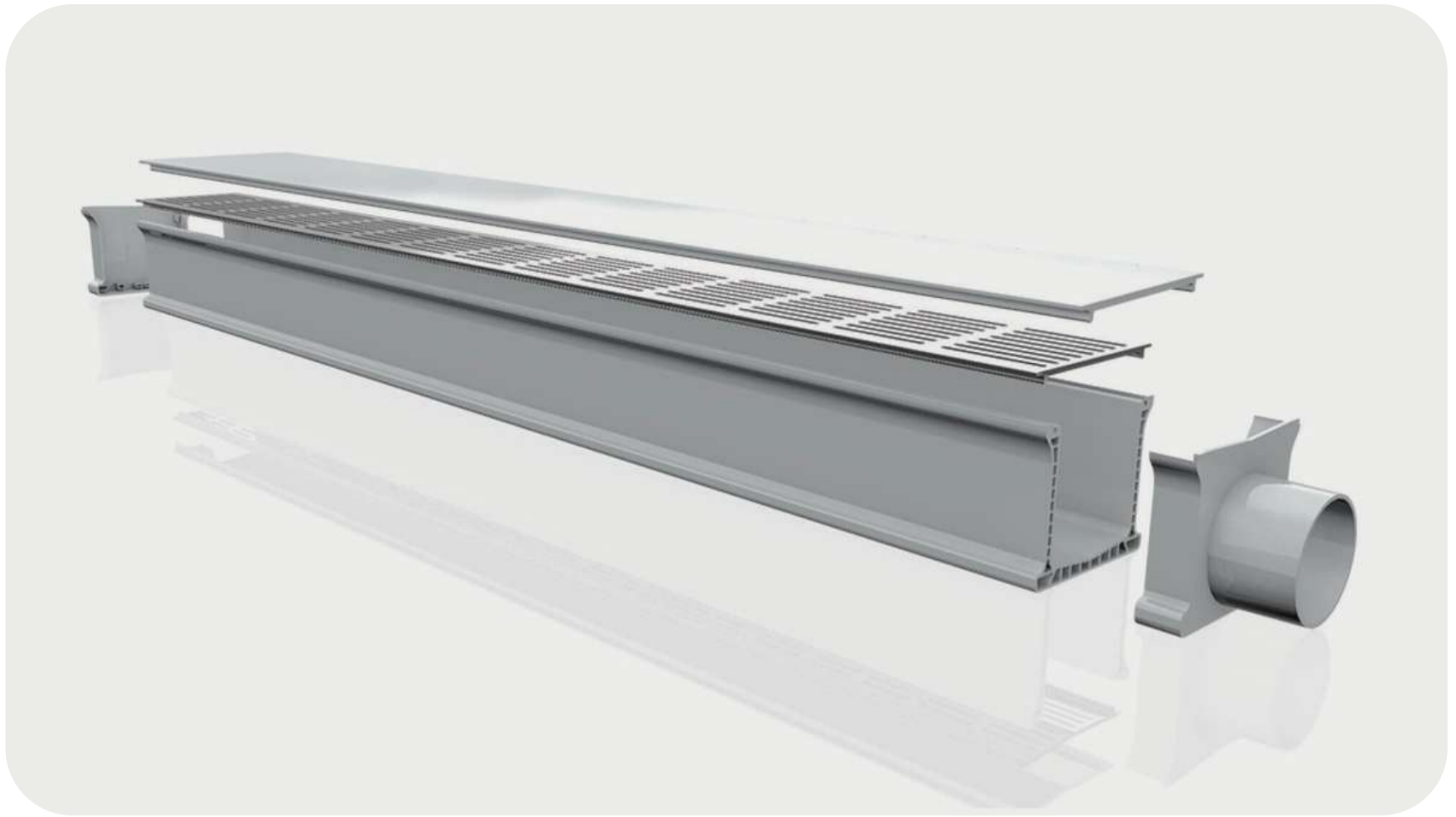


PRODUCT CODE: G2G-UDP75

ULTRA DRAIN PLUS 75 OUTDOOR DRAIN

Width:	I.D: 55mm, O.D.: 75mm, Overall O.D.: 80mm
Height:	105mm
Length:	2000mm
Pipe Sizes:	Spigot O.D.: 53mm, Bottom Outlet O.D.: 79mm
Pack Options:	1-piece pack (1 x 2000mm length) 2-piece pack (2 x 2000mm lengths)

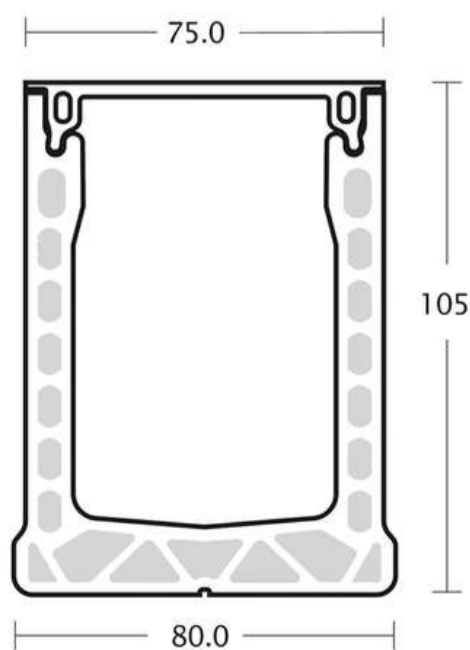




PRODUCT CODE: G2G-UDP100

ULTRA DRAIN PLUS 100 OUTDOOR DRAIN

Width:	I.D: 89mm, O.D.: 120mm, Overall O.D.: 120mm
Height:	102.5mm
Length:	2000mm
Pipe Sizes:	Spigot O.D.: 68mm, Bottom Outlet O.D.: 68mm
Pack Options:	1-piece pack (1 x 2000mm length) 2-piece pack (2 x 2000mm lengths)

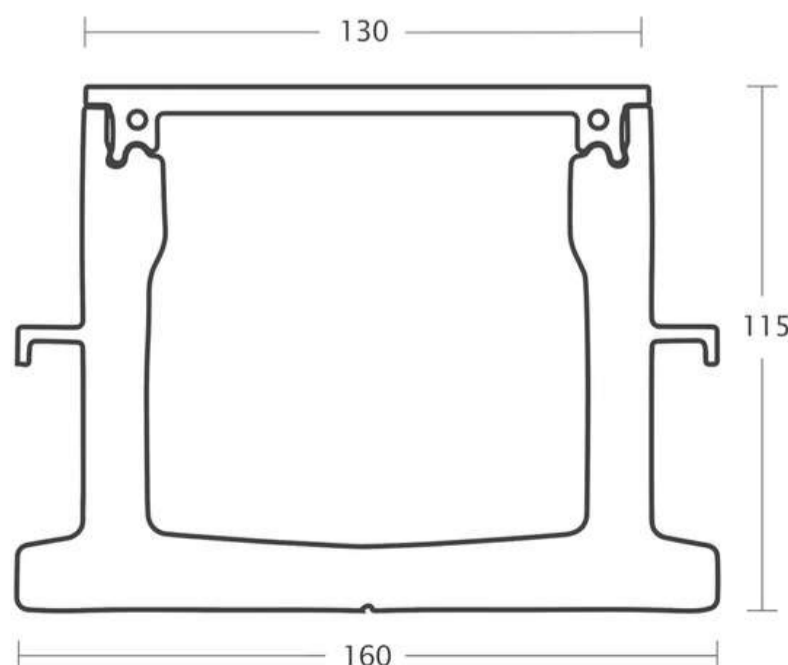


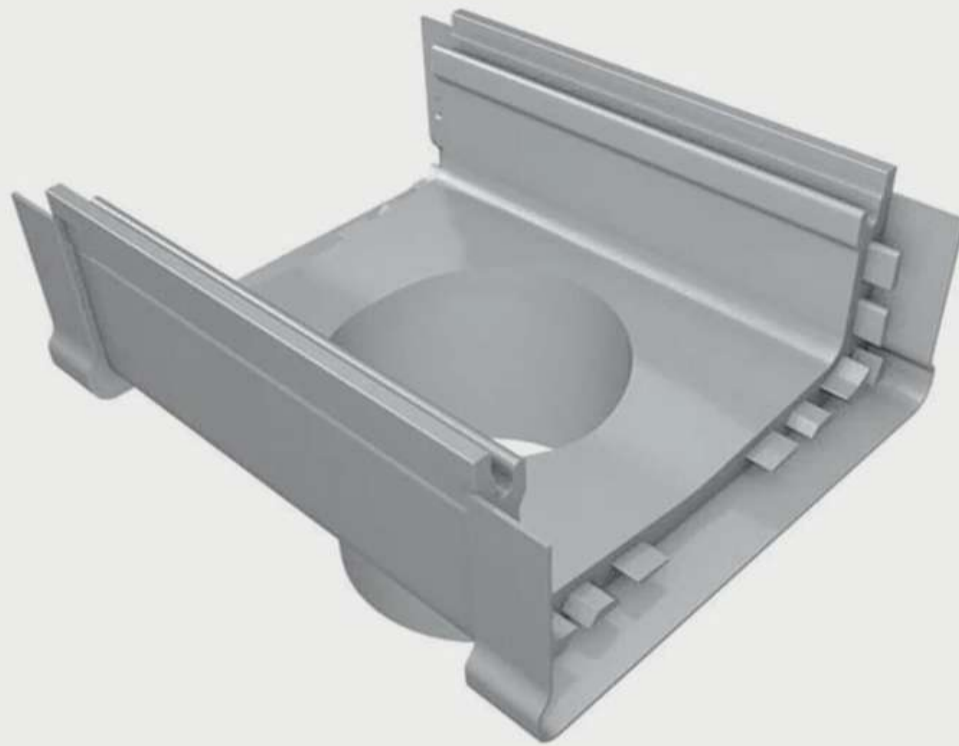


PRODUCT CODE: G2G-UDP130

ULTRA DRAIN PLUS 130 OUTDOOR DRAIN

Width:	I.D: 100mm, O.D.: 130mm, Overall O.D.: 160mm
Height:	115mm
Length:	2000mm
Pipe Sizes:	Spigot O.D.: 69mm, Bottom Outlet O.D.: 82mm
Pack Options:	1-piece pack (1 x 2000mm length)



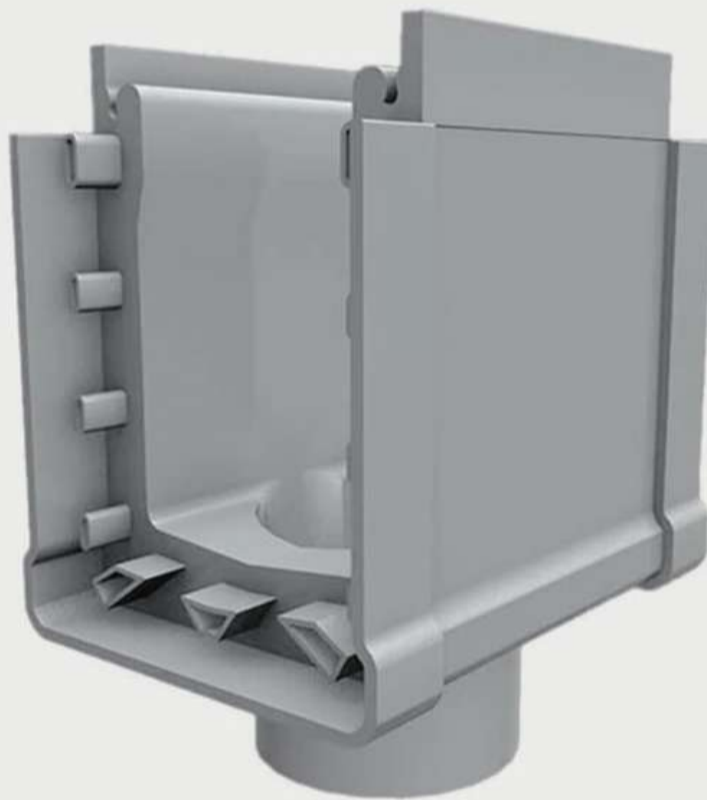


PRODUCT CODE: G2G-UDP45BO

ULTRA DRAIN PLUS 45 BOTTOM OUTLET

Compatibility: Ultra Drain Plus 45

Brand: Ultra Drain

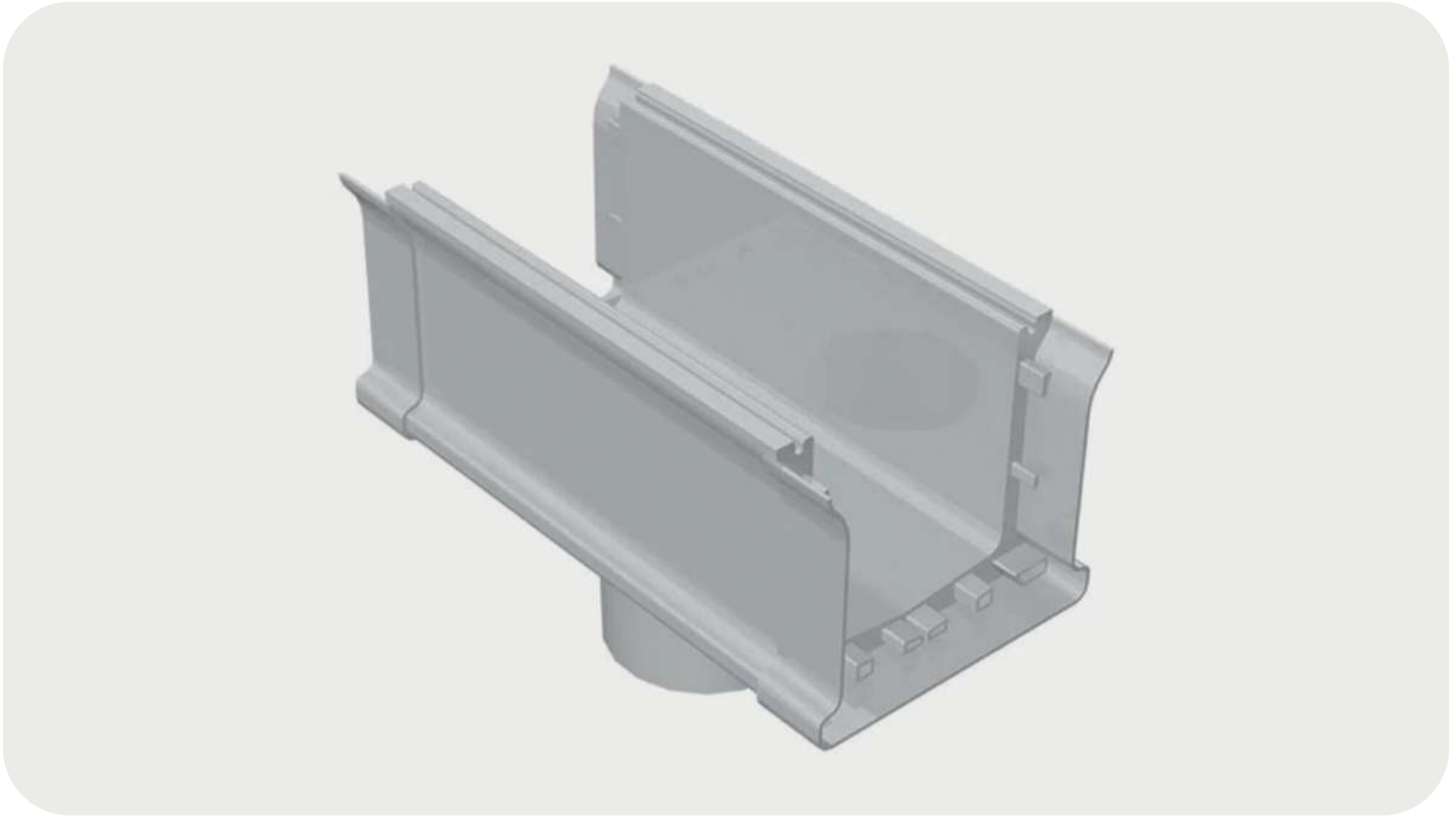


PRODUCT CODE: G2G-UDP75BO

ULTRA DRAIN PLUS 75 BOTTOM OUTLET

Compatibility: Ultra Drain Plus 75

Brand: Ultra Drain

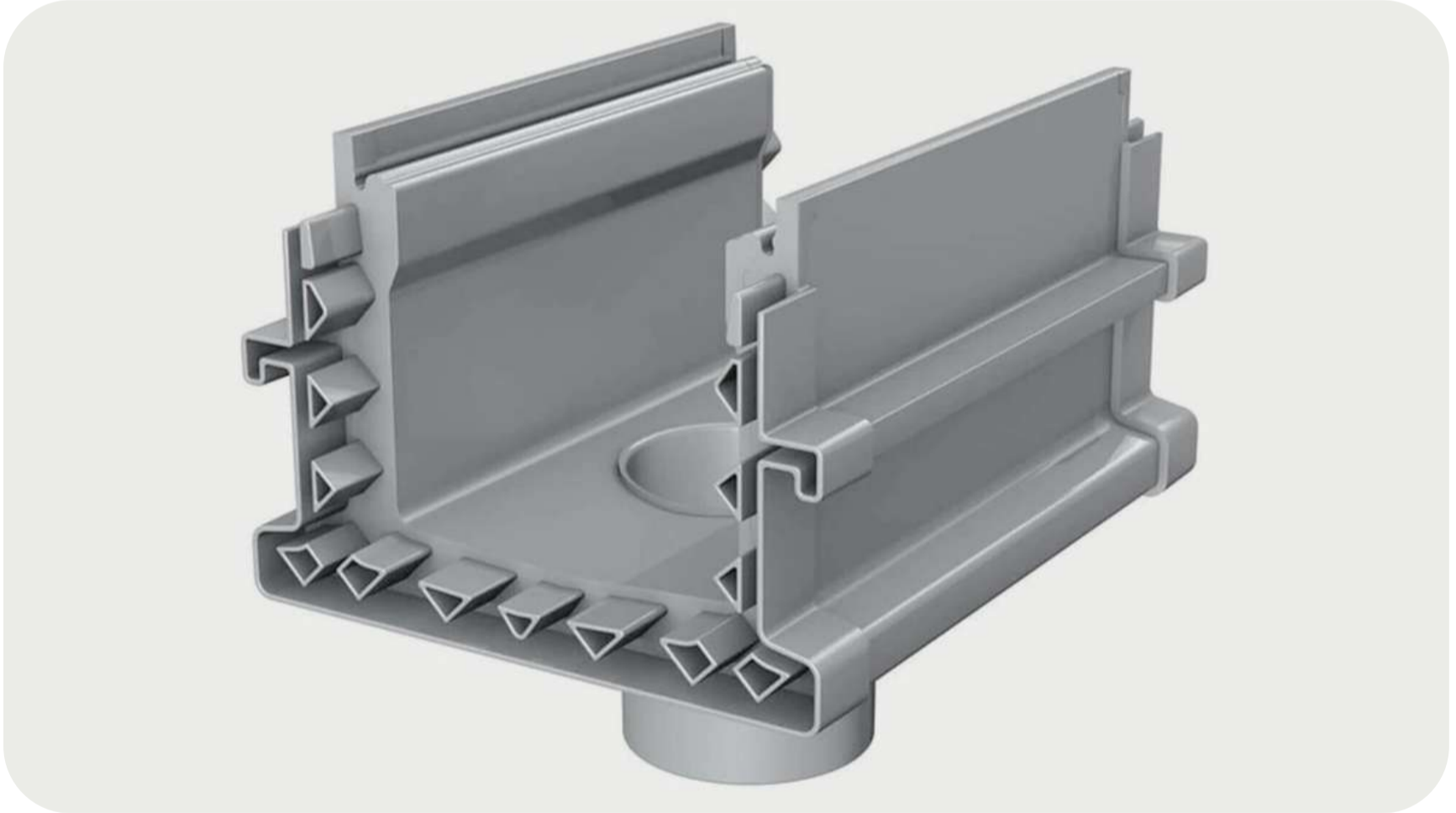


PRODUCT CODE: G2G-UDPI100BO

ULTRA DRAIN PLUS 100 BOTTOM OUTLET

Compatibility: Ultra Drain Plus 100

Brand: Ultra Drain

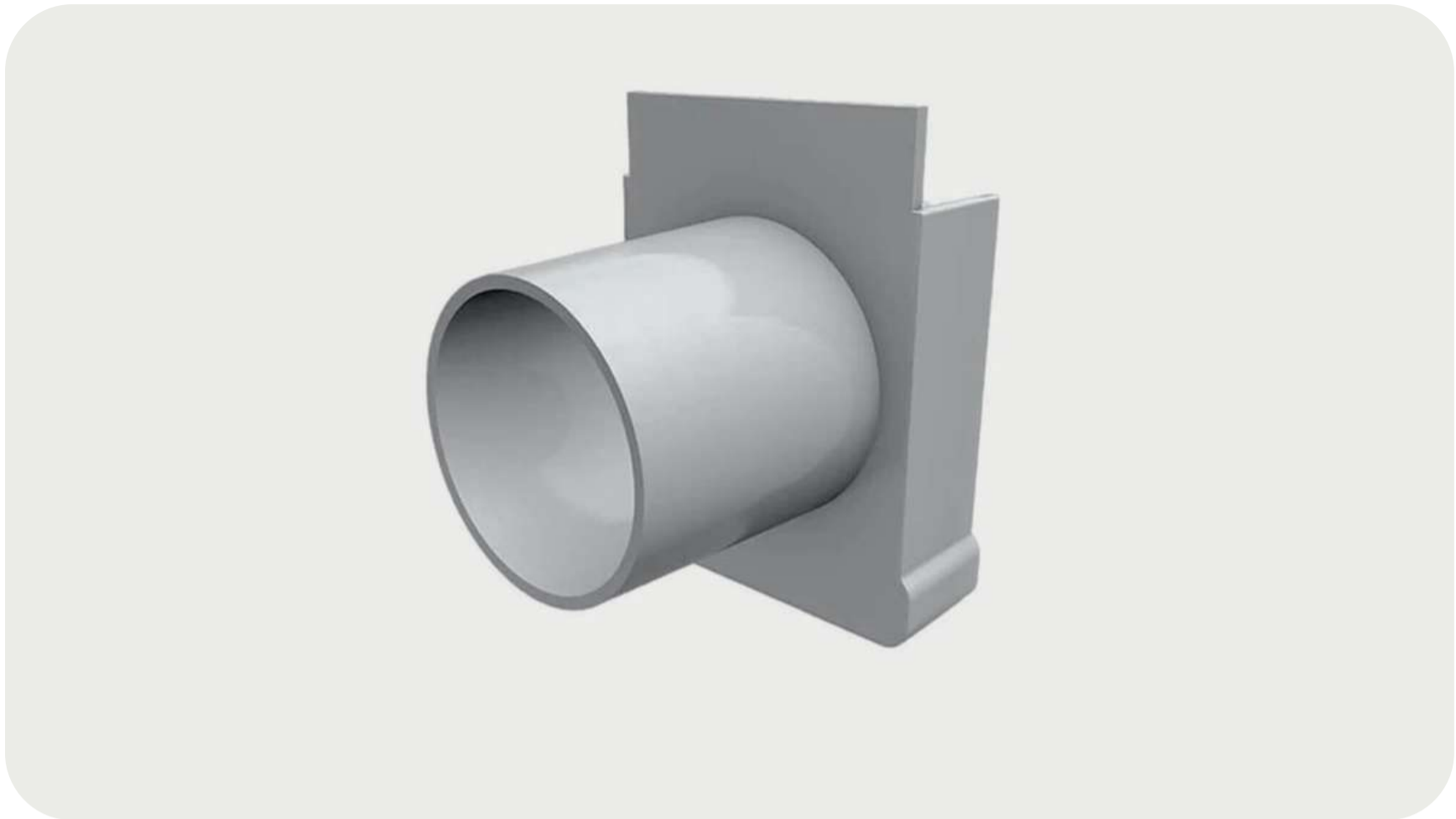


PRODUCT CODE: G2G-UDPI130BO

ULTRA DRAIN PLUS 130 BOTTOM OUTLET

Compatibility: Ultra Drain Plus 130

Brand: Ultra Drain



PRODUCT CODE: G2G-UDP75EO

ULTRA DRAIN PLUS 75 END OUTLET

Compatibility: Ultra Drain Plus 75

Brand: Ultra Drain

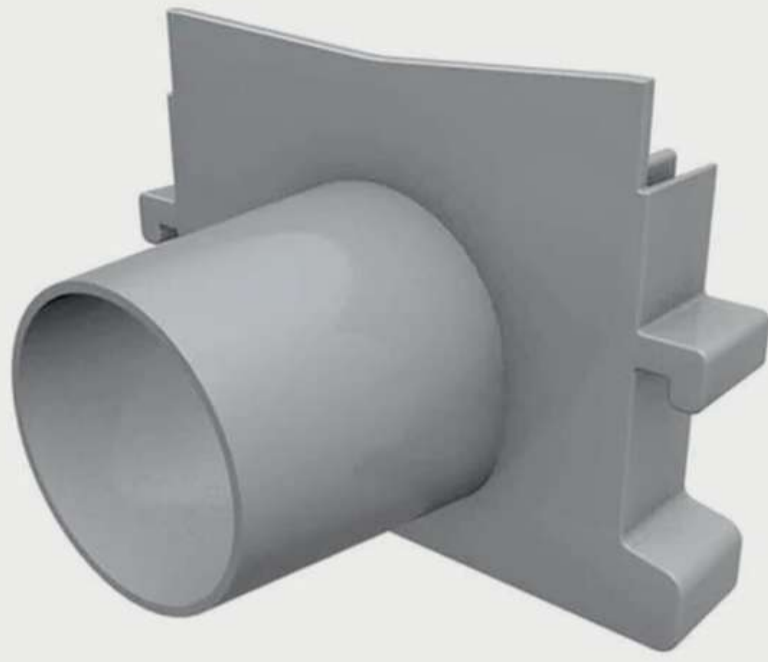


PRODUCT CODE: G2G-UDP100EO

ULTRA DRAIN PLUS 100 END OUTLET

Compatibility: Ultra Drain Plus 100

Brand: Ultra Drain



PRODUCT CODE: G2G-UDP130EO

ULTRA DRAIN PLUS 130 END OUTLET

Compatibility: Ultra Drain Plus 130

Brand: Ultra Drain

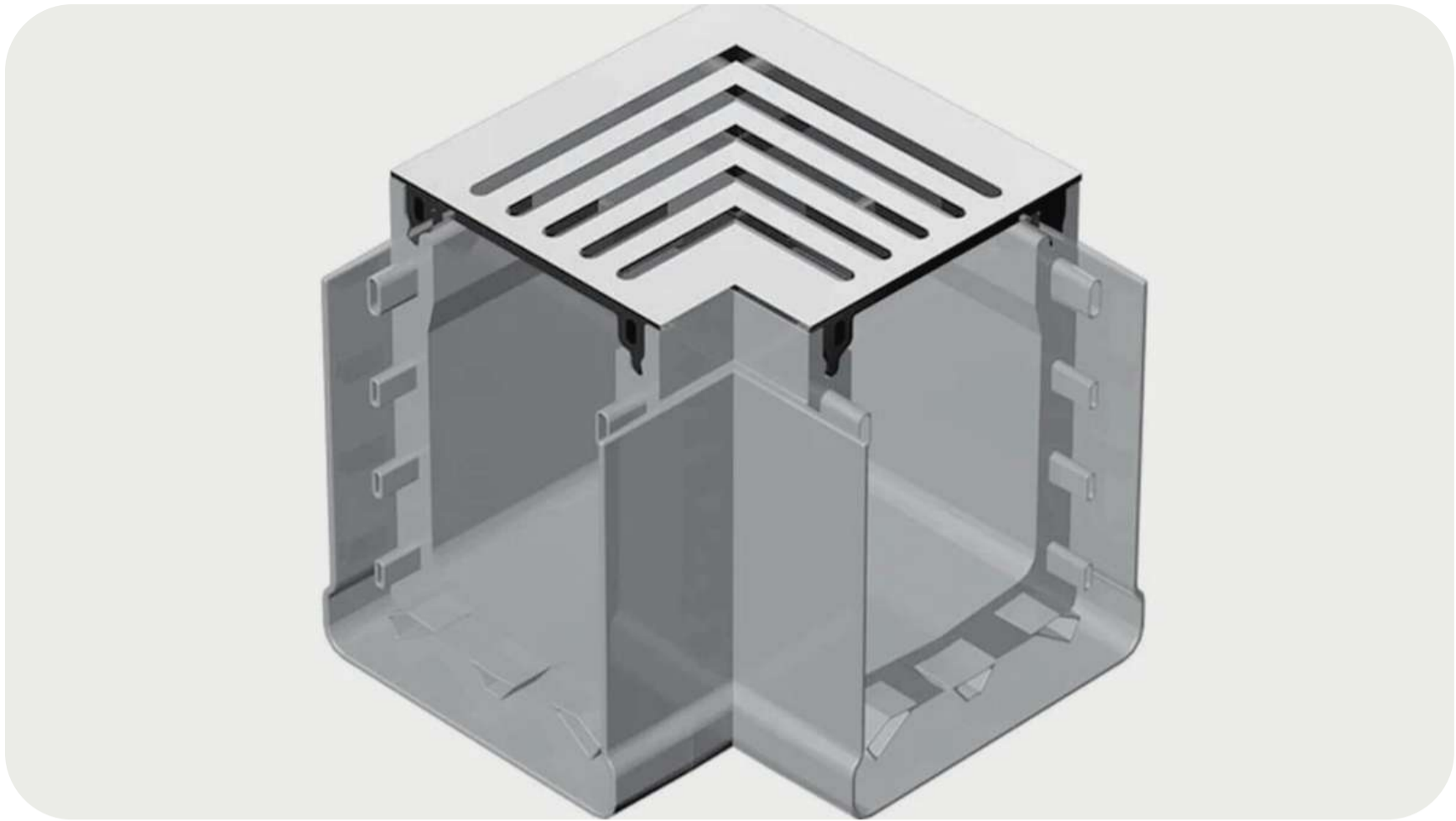


PRODUCT CODE: G2G-UDP45RA

ULTRA DRAIN PLUS 45 RIGHT ANGLE CORNER

Compatibility: Ultra Drain Plus 45

Brand: Ultra Drain

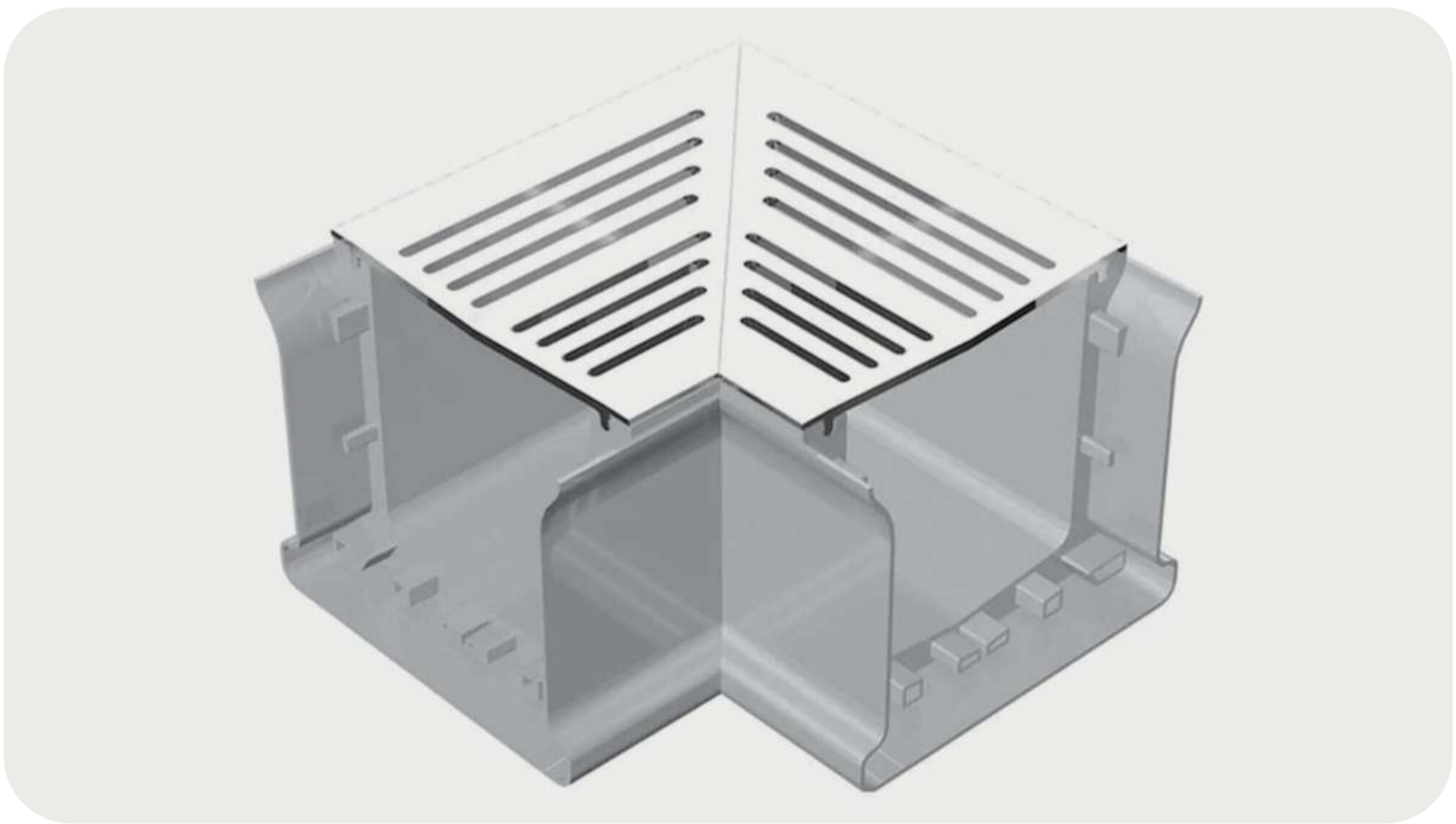


PRODUCT CODE: G2G-UDP75RA

ULTRA DRAIN PLUS 75 RIGHT ANGLE CORNER

Compatibility: Ultra Drain Plus 75

Brand: Ultra Drain

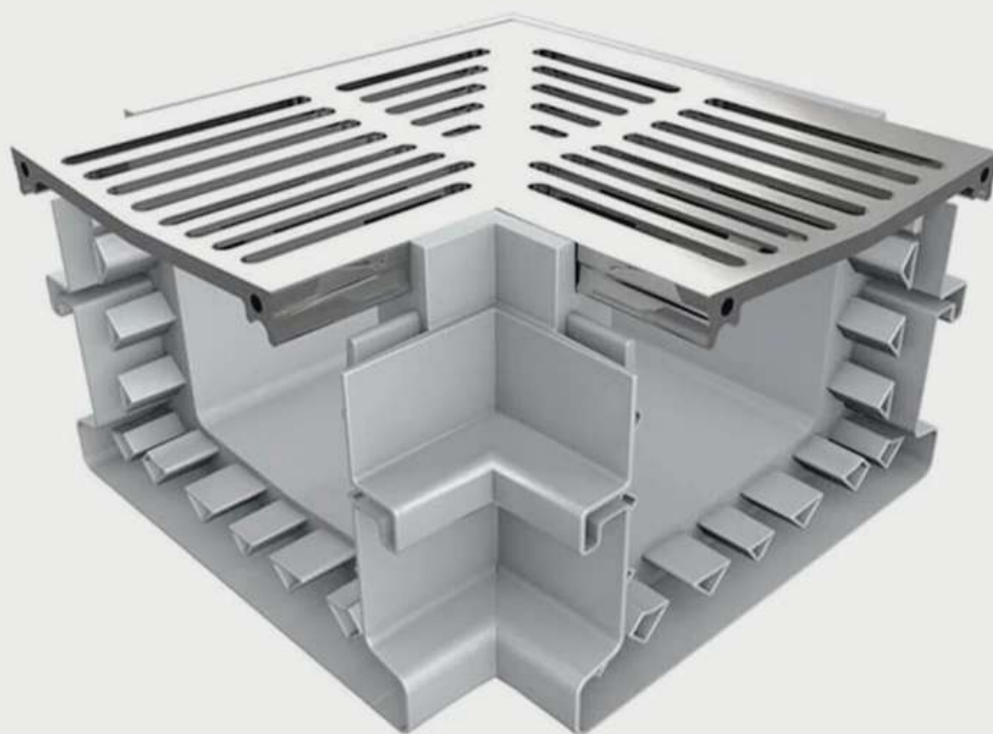


PRODUCT CODE: G2G-UDP100RA

ULTRA DRAIN PLUS 100 RIGHT ANGLE CORNER

Compatibility: Ultra Drain Plus 100

Brand: Ultra Drain

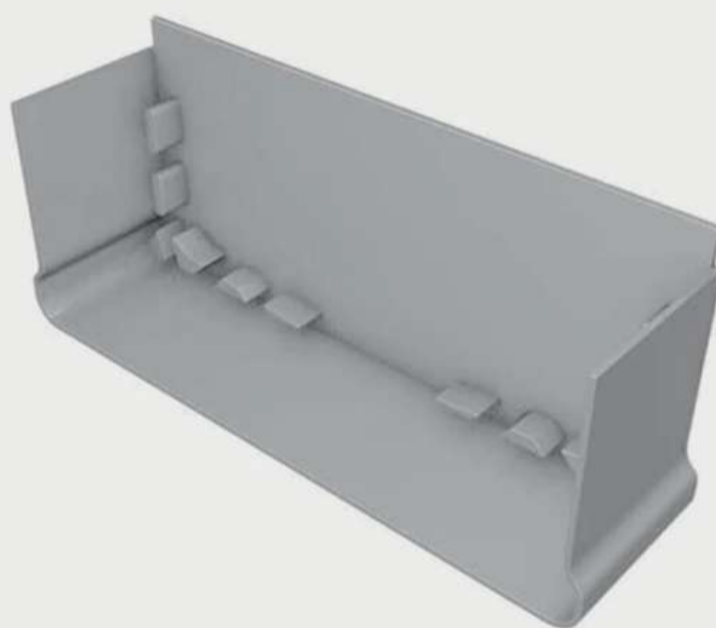


PRODUCT CODE: G2G-UDP130RA

ULTRA DRAIN PLUS 130 RIGHT ANGLE CORNER

Compatibility: Ultra Drain Plus 130

Brand: Ultra Drain



PRODUCT CODE: G2G-UDP45EC

ULTRA DRAIN PLUS 45 END CAP

Compatibility: Ultra Drain Plus 45

Brand: Ultra Drain

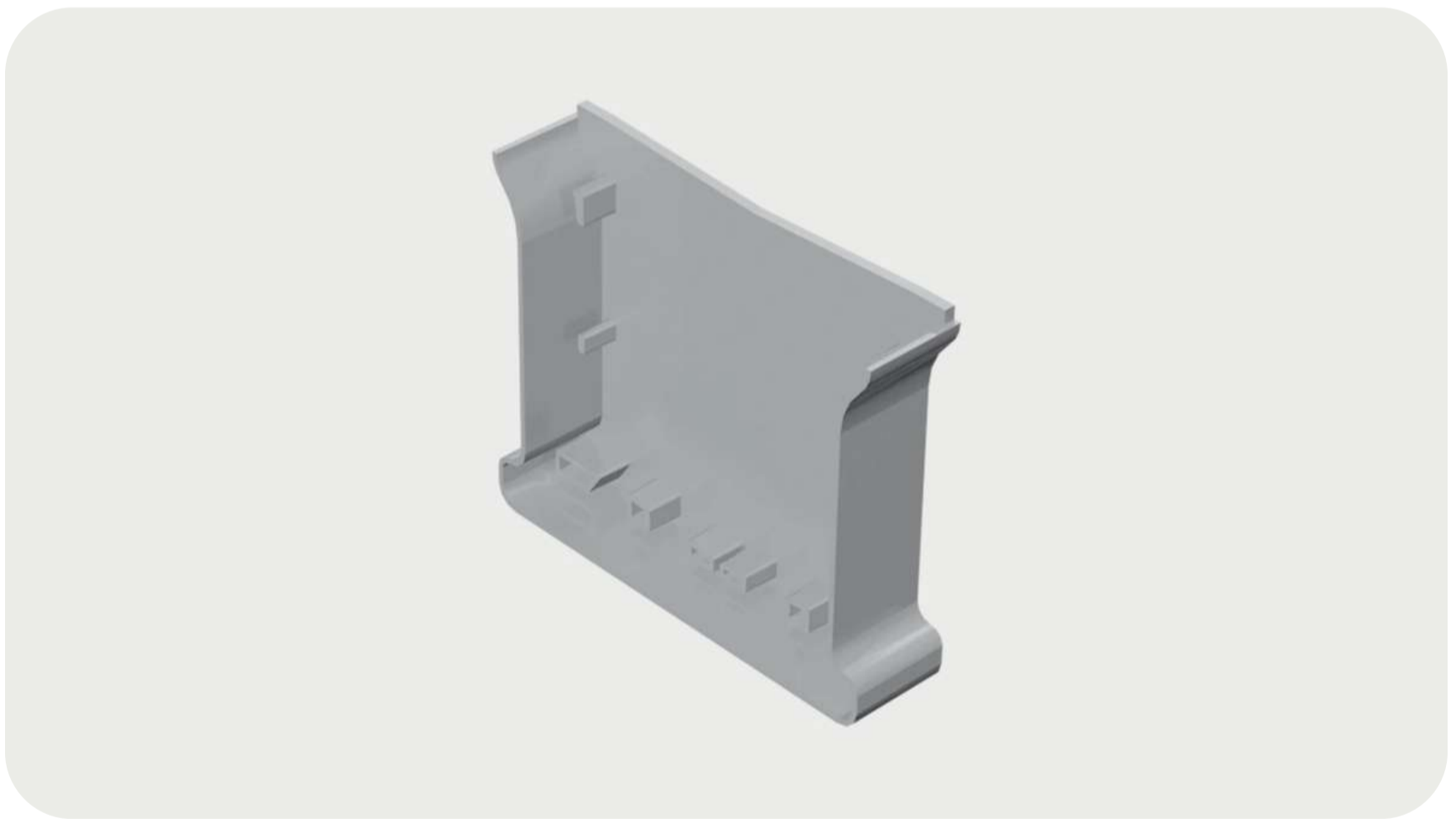


PRODUCT CODE: G2G-UDP75EC

ULTRA DRAIN PLUS 75 END CAP

Compatibility: Ultra Drain Plus 75

Brand: Ultra Drain



PRODUCT CODE: G2G-UDP100EC

ULTRA DRAIN PLUS 100 END CAP

Compatibility: Ultra Drain Plus 100

Brand: Ultra Drain



PRODUCT CODE: G2G-UDP130EC

ULTRA DRAIN PLUS 130 END CAP

Compatibility: Ultra Drain Plus 130

Brand: Ultra Drain

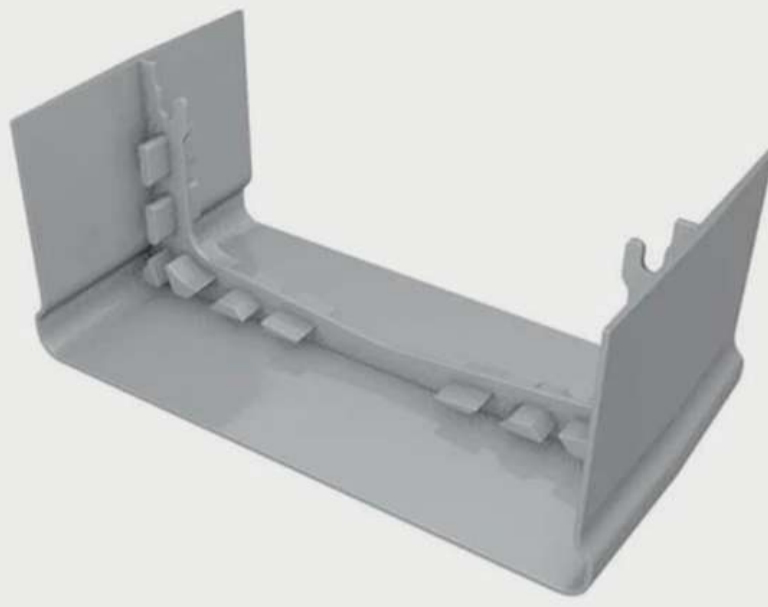


PRODUCT CODE: G2G-UDP45S

ULTRA DRAIN PLUS 45 SPIGOT

Compatibility: Ultra Drain Plus 45

Brand: Ultra Drain

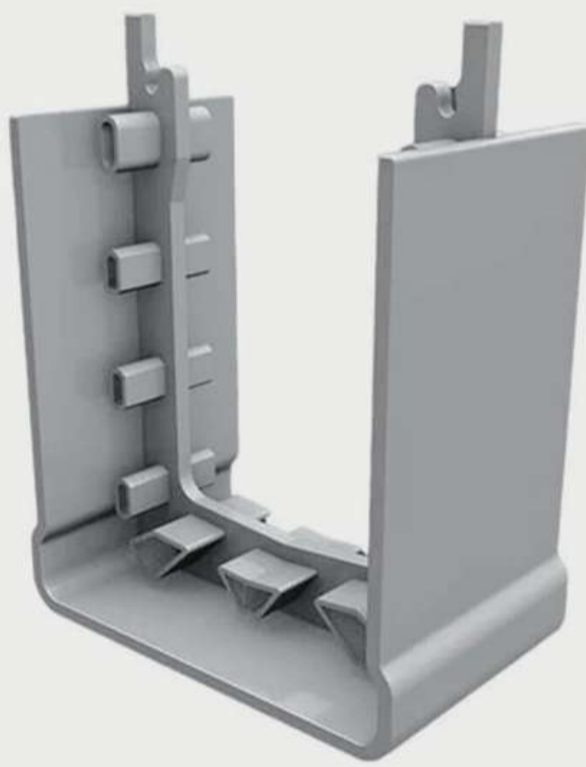


PRODUCT CODE: G2G-UDP45J

ULTRA DRAIN PLUS 45 JOINER

Compatibility: Ultra Drain Plus 45

Brand: Ultra Drain

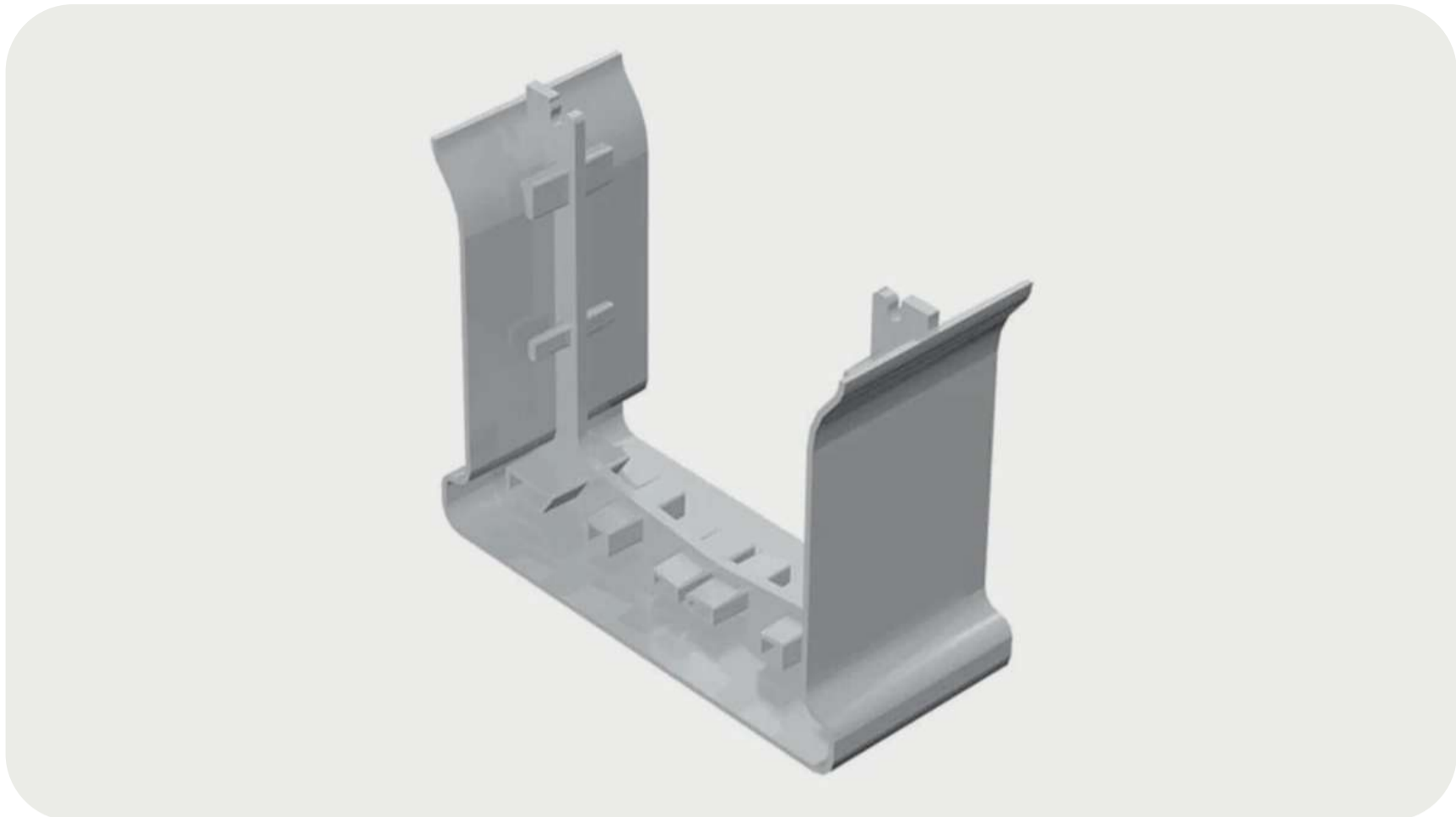


PRODUCT CODE: G2G-UDP75J

ULTRA DRAIN PLUS 75 JOINER

Compatibility: Ultra Drain Plus 75

Brand: Ultra Drain

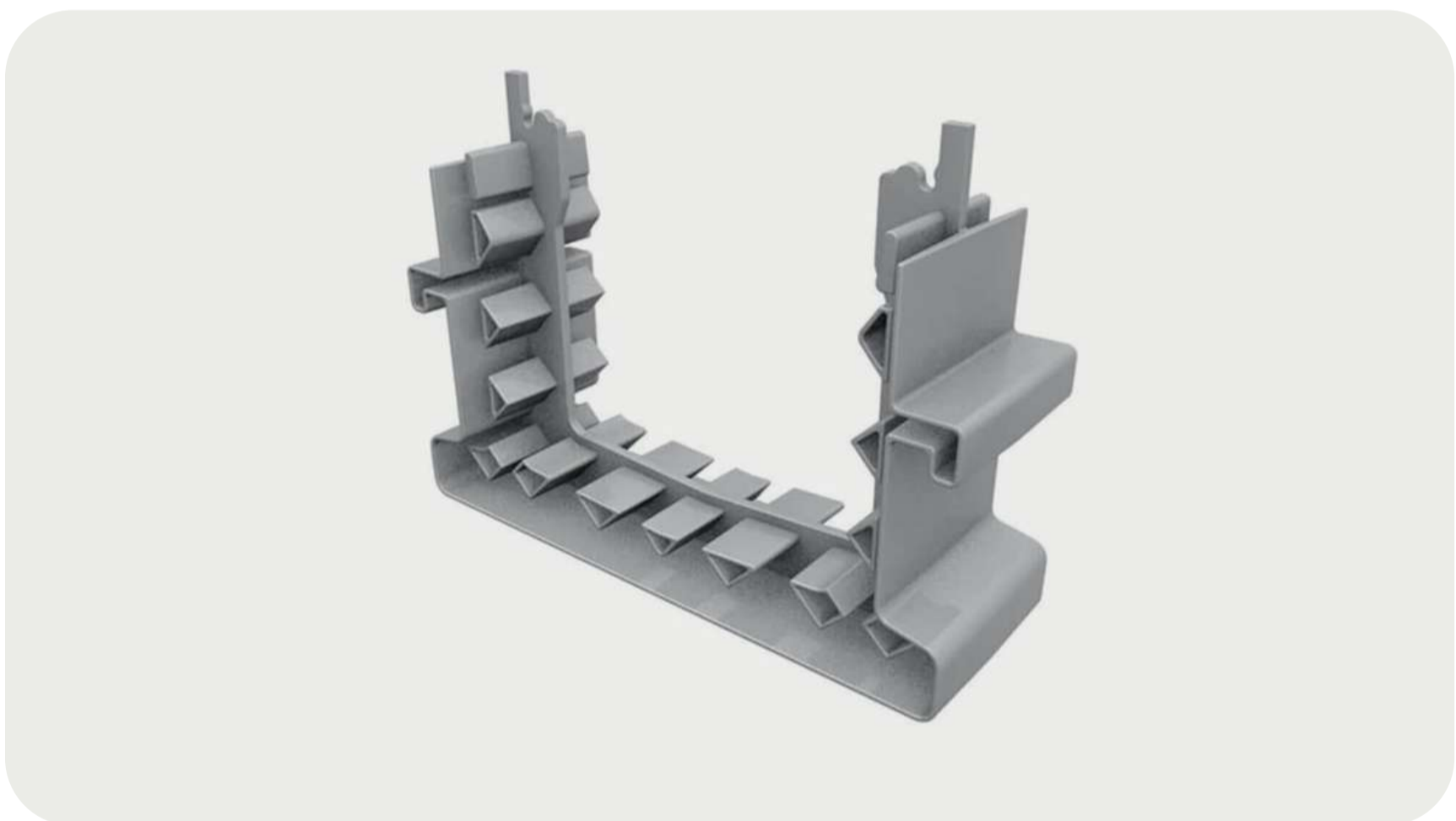


PRODUCT CODE: G2G-UDP100J

ULTRA DRAIN PLUS 100 JOINER

Compatibility: Ultra Drain Plus 100

Brand: Ultra Drain



PRODUCT CODE: G2G-UDP130J

ULTRA DRAIN PLUS 130 JOINER

Compatibility: Ultra Drain Plus 130

Brand: Ultra Drain



PRODUCT CODE: G2G-UDP75SO

ULTRA DRAIN PLUS 75 SIDE OUTLET

Compatibility: Ultra Drain Plus 75

Brand: Ultra Drain

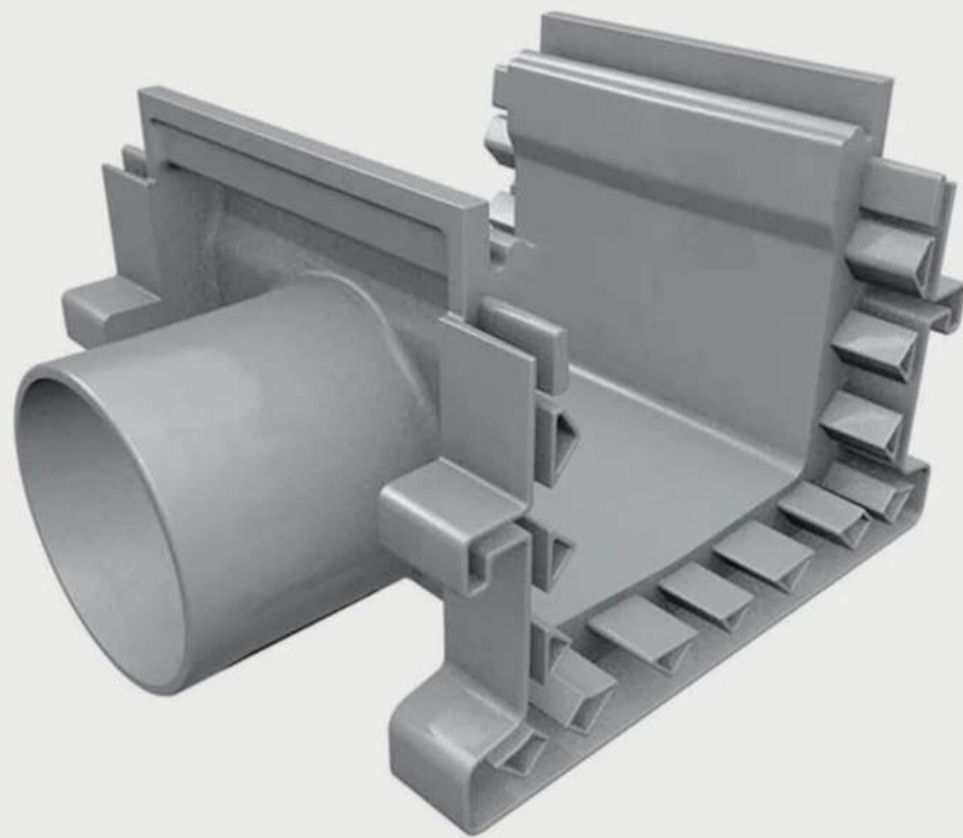


PRODUCT CODE: G2G-UDP100SO

ULTRA DRAIN PLUS 100 SIDE OUTLET

Compatibility: Ultra Drain Plus 100

Brand: Ultra Drain



PRODUCT CODE: G2G-UDPI30SO

ULTRA DRAIN PLUS 130 SIDE OUTLET

Compatibility: Ultra Drain Plus 130

Brand: Ultra Drain



SKIMMER LID

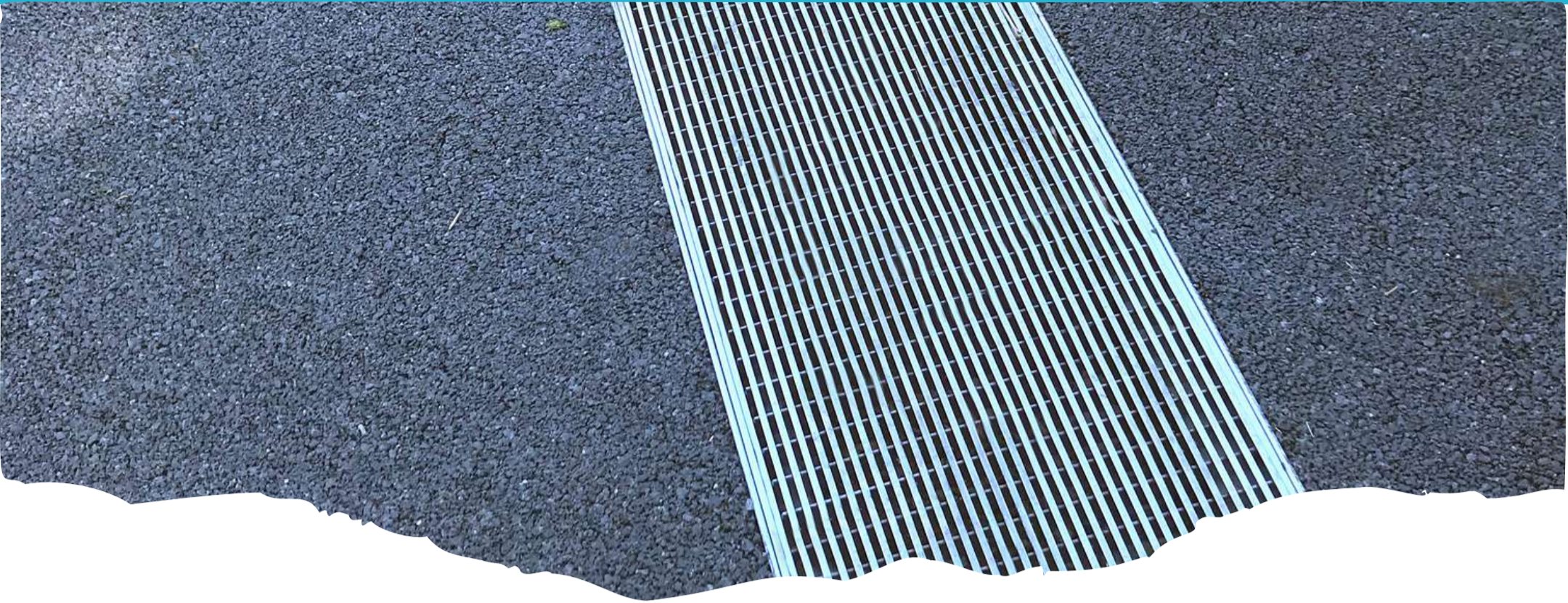
Width: 306mm, 342mm

Depth: 33mm, 43mm

Material: 316 grade stainless steel

Brand: HIDE

STAINLESS STEEL MODULAR



Our stainless steel modular grate and channel drains are designed for commercial and domestic outdoor use. Supplied in kit form, and made to your customised length requirements.

You have the option of choosing your ideal outlet adaptor size, and a standard wedge wire or non-slip wedge wire grate, to suit your application.

You can assemble the drain yourself on-site, or we offer an assembly service so the kit is shipped to you ready to go.

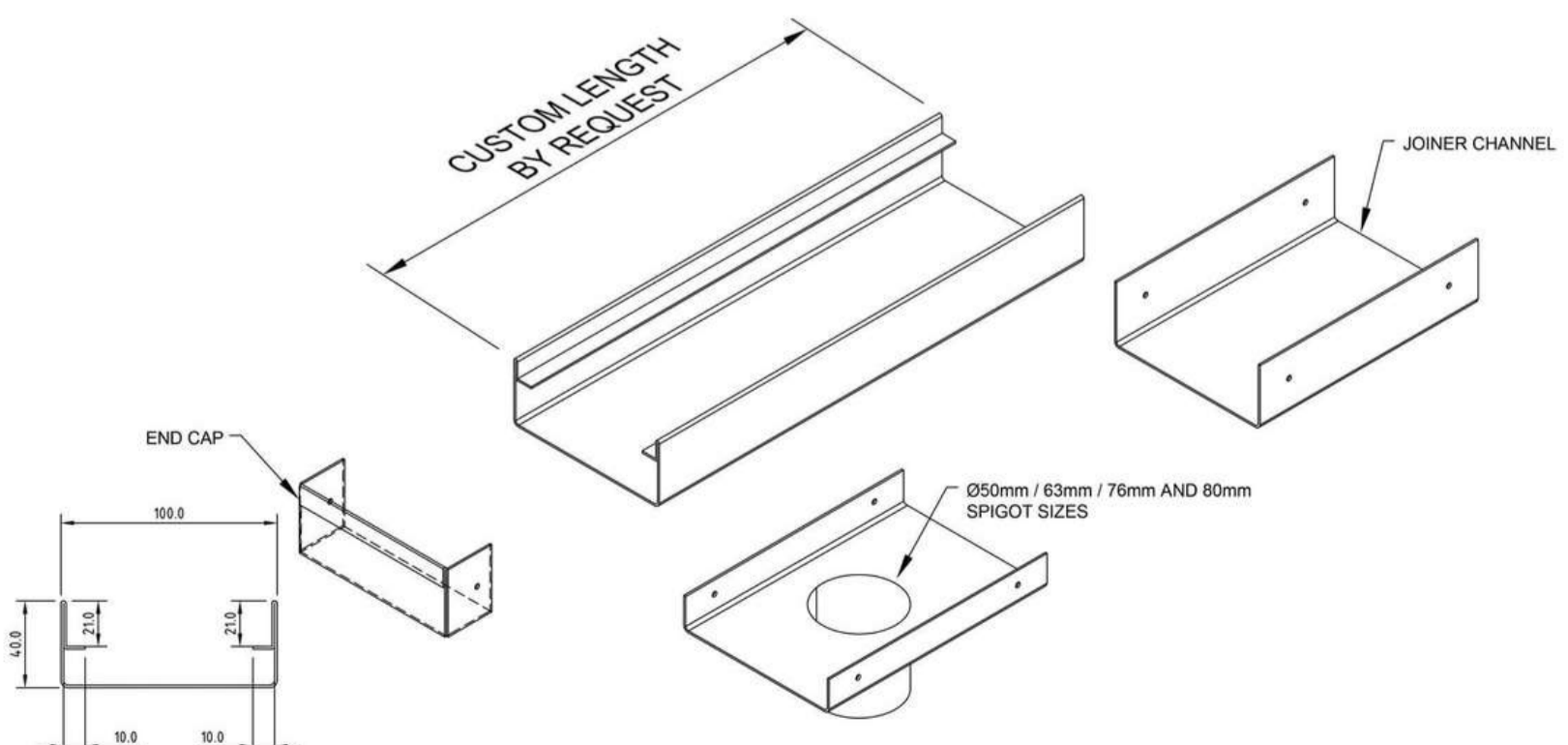


PRODUCT CODE: G2GS10040

STAINLESS STEEL MODULAR KIT 100MM X 40MM

Width:	100mm
Depth:	40mm
Length:	Custom
Outlet Sizes:	51mm, 63mm, 76mm, 85mm
Material:	316 grade Stainless Steel

Kit Contains:	Wedge Wire Grate
	Channel
	End Cap (2)
	Joiner
	Outlet Adaptor



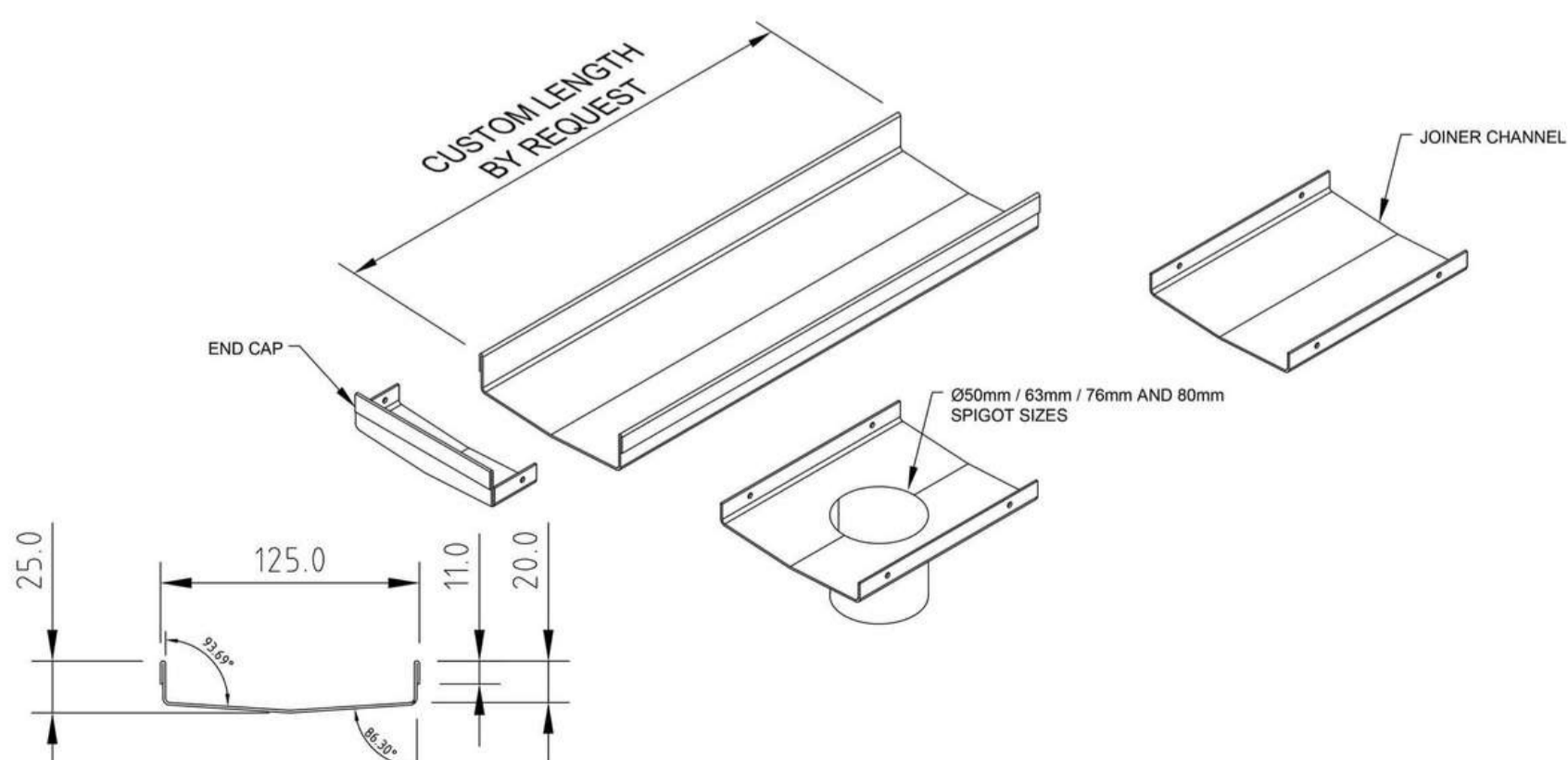


PRODUCT CODE: G2GS12525

STAINLESS STEEL MODULAR KIT 125MM X 25MM

Width: 125mm
 Depth: 25mm
 Length: Custom
 Outlet Sizes: 51mm, 63mm, 76mm, 85mm
 Material: 316 grade Stainless Steel

Kit Contains: Wedge Wire Grate
 Channel
 End Cap (2)
 Joiner
 Outlet Adaptor



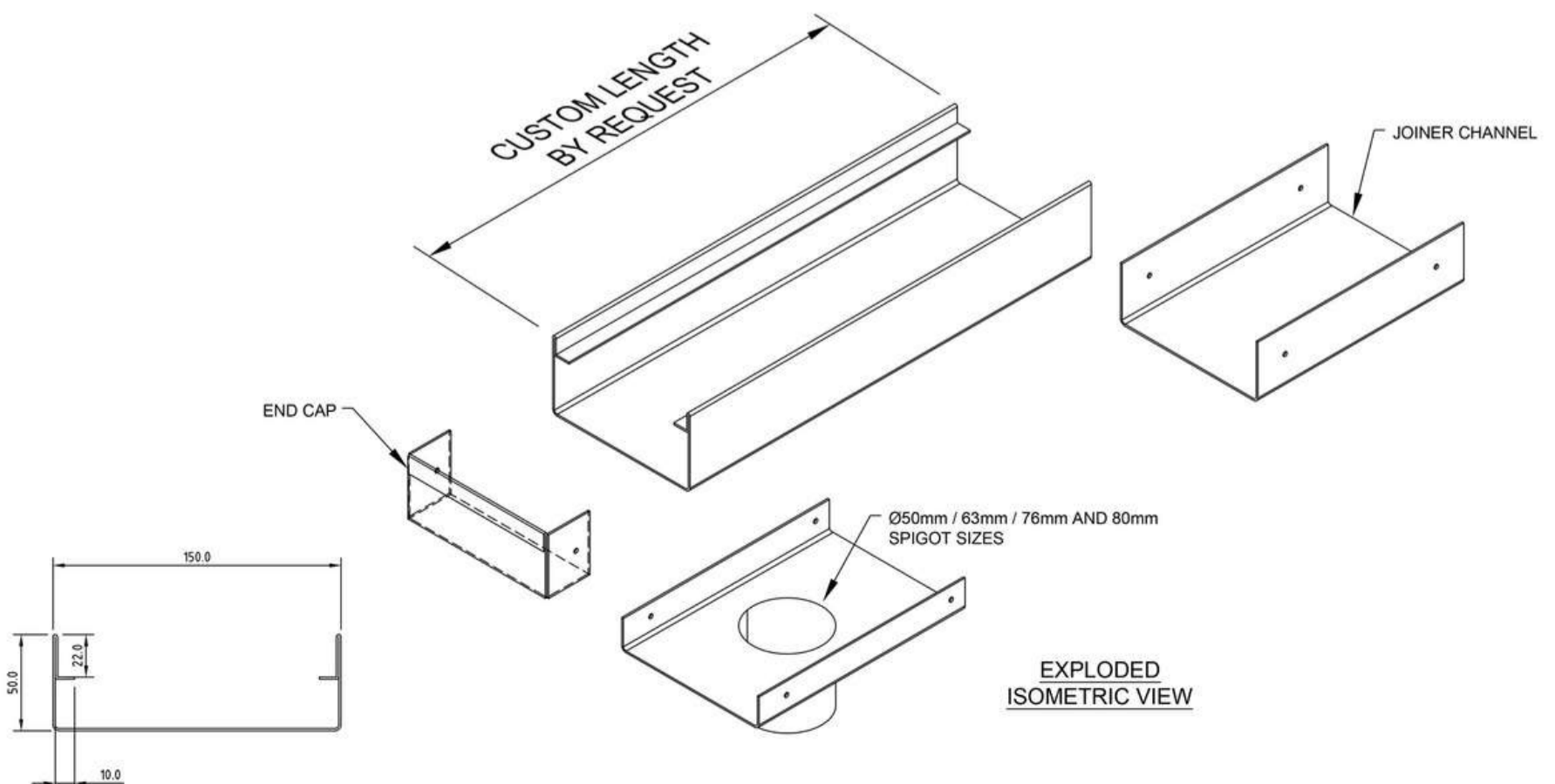


PRODUCT CODE: G2GS15050

STAINLESS STEEL MODULAR KIT 150MM X 50MM

Width: 150mm
Depth: 50mm
Length: Custom
Outlet Sizes: 51mm, 63mm, 76mm, 85mm
Material: 316 grade Stainless Steel

Kit Contains: Wedge Wire Grate
Channel
End Cap (2)
Joiner
Outlet Adaptor



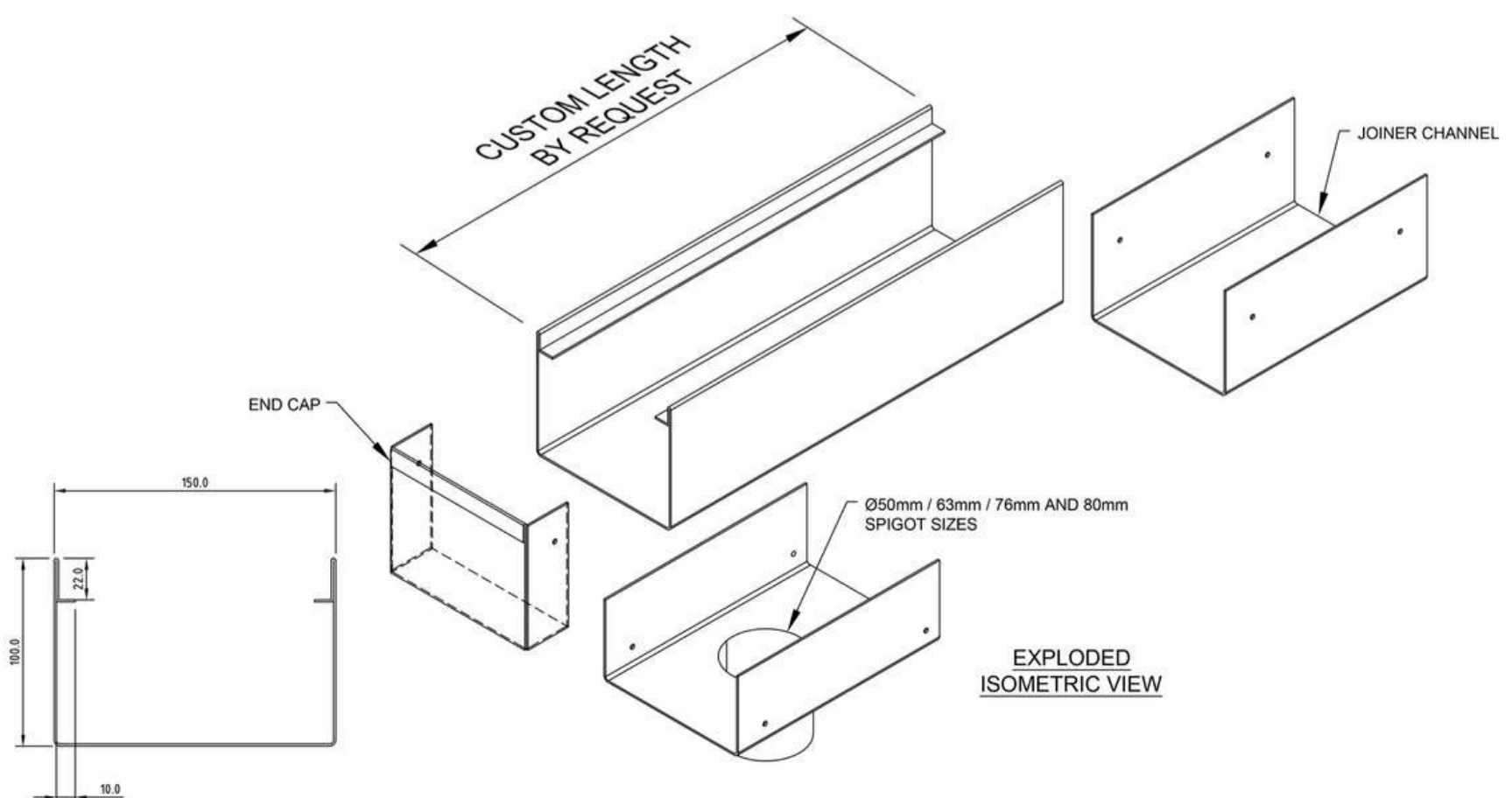


PRODUCT CODE: G2GS150100

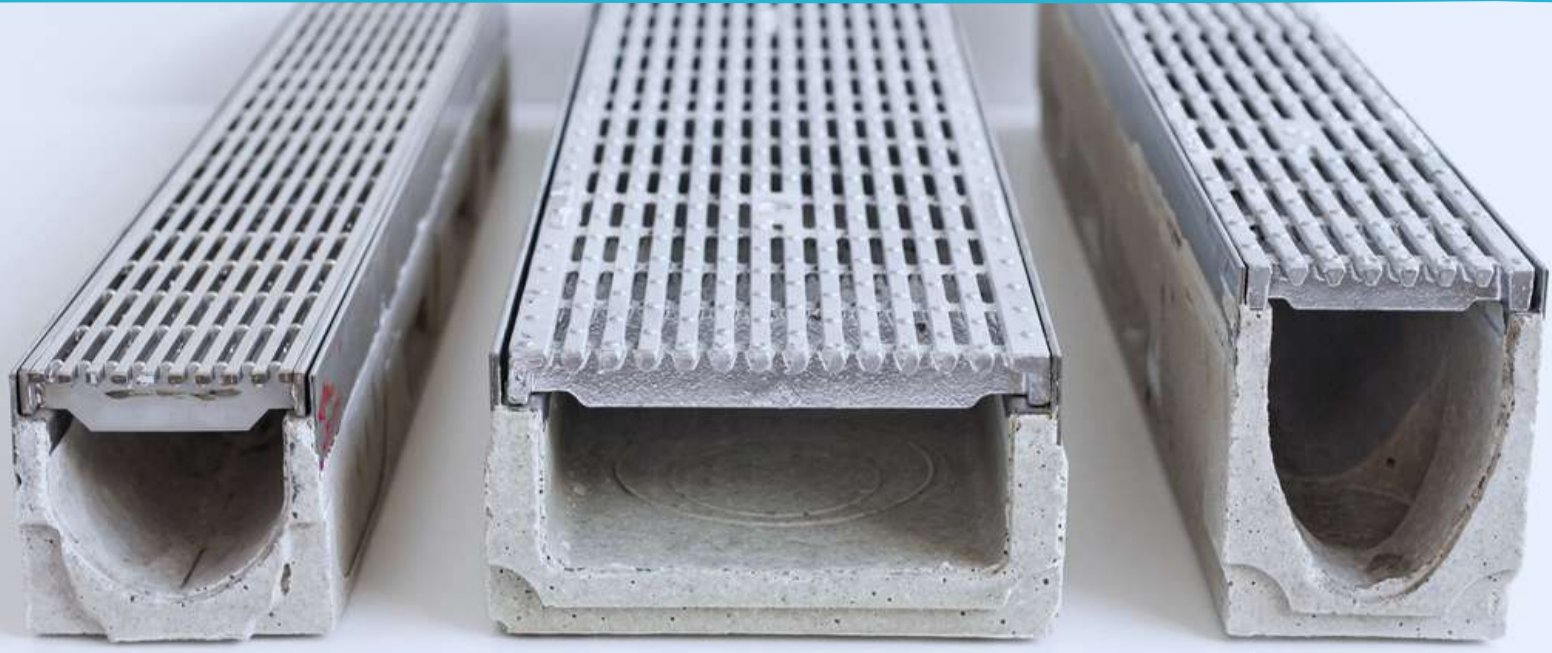
STAINLESS STEEL MODULAR KIT 150MM X 100MM

Width:	150mm
Depth:	100mm
Length:	Custom
Outlet Sizes:	51mm, 63mm, 76mm, 85mm
Material:	316 grade Stainless Steel

Kit Contains:	Wedge Wire Grate
	Channel
	End Cap (2)
	Joiner
	Outlet Adaptor



POLYMER CHANNEL KITS



The Civilcast Polymer Channel drains have been specifically designed and constructed for heavy duty commercial installations. The use of polymer concrete ensures the drain is resistant to a variety of chemicals and has low permeability.

Available in a range of grating options including lockdown and heel guard configurations. With rated load classes from A to E.



PRODUCT CODE: PCHG-1120SS-B

**POLYMER TRENCH DRAIN CHANNEL KIT
100MM X 120MM + CLASS B GRATE**

Width: 100mm

Depth: 120mm

Length: 1m

Material: SS edge, 304 Stainless steel GripTech HG
Class B grate with locking mechanism

Brand: Civilcast



PRODUCT CODE: PCHG-1170GV-D

POLYMER TRENCH DRAIN CHANNEL KIT 100MM X 170MM + CLASS D GRATE

Width:	100mm
Depth:	170mm
Length:	1m
Material:	Gal edge, Galvanised ductile iron HG Class D grate with locking mechanism
Brand:	Civilcast



PRODUCT CODE: PCHG-2130DI-E

POLYMER TRENCH DRAIN CHANNEL KIT 200MM X 130MM + CLASS E GRATE

Width:	200mm
Depth:	130mm
Length:	1m
Material:	Ductile iron edge and HG anti slip Class E grate with locking mechanism
Brand:	Civilcast

CUSTOM MANUFACTURING



At Grates 2 Go, we take pride in our expertise as custom manufacturers of top-quality stainless steel drainage channels for both domestic and commercial installations. With a dedication to precision and craftsmanship, we cut, fold, weld, and polish each drainage channel to meet our customers' specific requirements.

In the domestic realm, we specialise in creating stainless steel drainage solutions for various areas, including home bathrooms, showers, outdoor spaces like patios and pool areas, as well as driveways. Our products are not only functional but also aesthetically pleasing, enhancing the overall appeal of any residential space.

In the commercial arena, we step up to the challenge by providing wider, deeper, and heavier drains designed for public spaces and commercial buildings. Whether it's for schools, hotels, or food preparation areas, we can supply anti-slip gratings tailored to suit any drainage channel configuration, ensuring safety and durability.

Our state-of-the-art 200-ton programmable hydraulic press allows us to precisely fold the stainless steel channels into custom widths, depths, and lengths, meeting even the most complex design specifications. Our skilled team members hand-cut and weld these grates, ensuring they perfectly fit the customer's measurements and include appropriate load ratings for heavy traffic scenarios.

We understand the importance of water flow efficiency. That's why we offer various outlet sizes and install them anywhere along the drainage channel, allowing for maximum water flow and drainage performance. Our innovative custom hole punch machine ensures a flawless finish, eliminating welding and providing a visually superior appearance.

While we excel in creating standard rectangular drainage channels, we also embrace challenges, delivering round drainage channels with impeccable precision. From laser-cutting to rolling, folding, and welding, our team ensures each round drainage channel meets the required specifications for strength and durability.

Besides stainless steel, we offer drainage channels custom-made from raw brass, a popular choice for high-end premium installations. The brass patinas and ages beautifully, adding a touch of elegance to any setting. To complement various design preferences, we offer powder coating services in an array of popular colours.

At Grates 2 Go, we take pride in our craftsmanship, attention to detail, and dedication to customer satisfaction. Our team is committed to delivering the finest stainless steel drainage solutions for every project, big or small. Partner with us for your drainage needs, and let us create a seamless flow of excellence for your spaces.

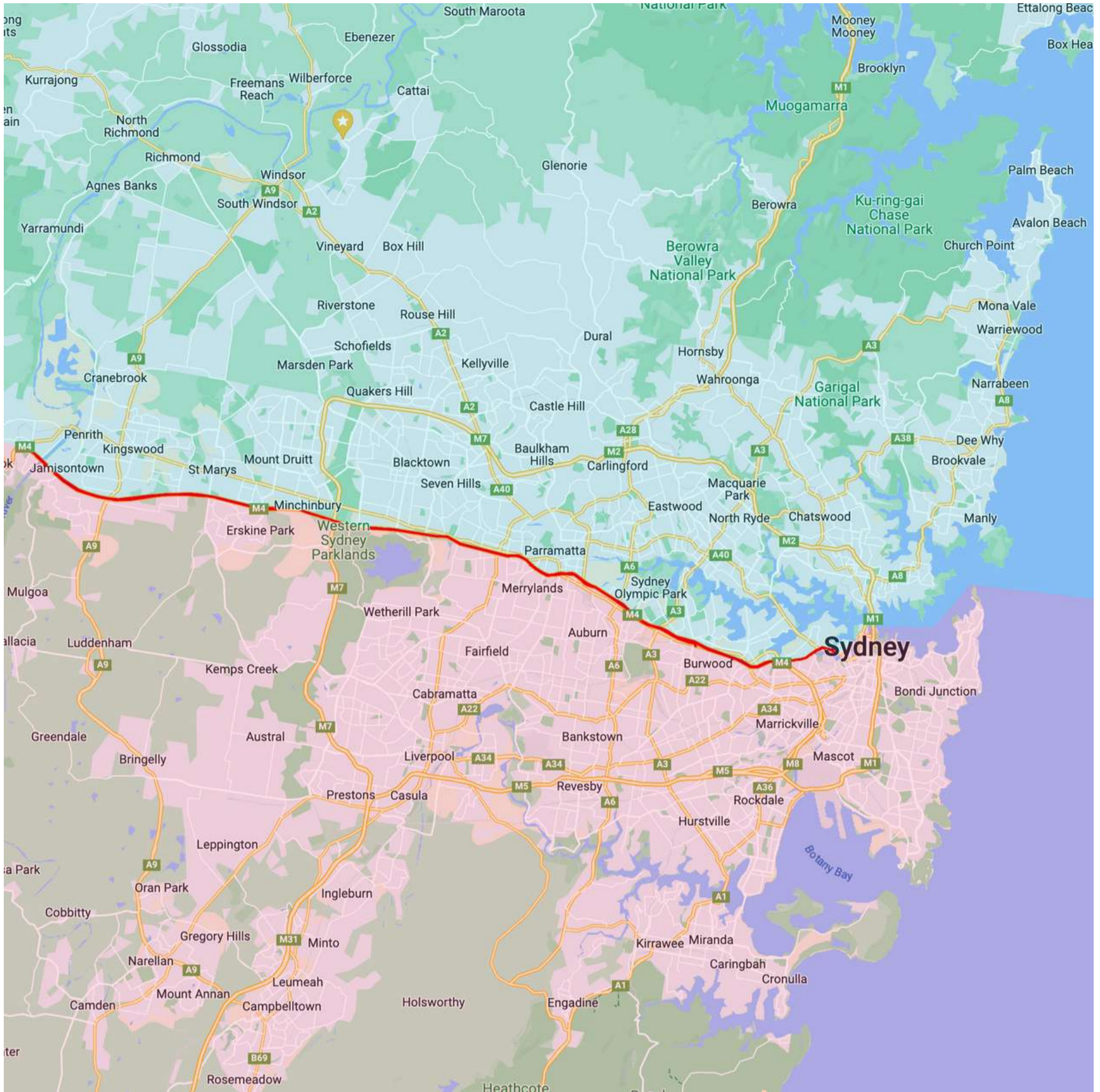
TRADE



Introducing a consultation service to help you get your drainage job measured quickly and accurately. An experienced trade team member will come to your site with grate and channel samples, and all of the information you need to choose the right product for your job. Take the guesswork out of your drainage decisions.

We will assist with your drainage site measurements to ensure you always get the perfect fit. As well as on-site product presentations and measurements, our team are happy to discuss special deals on project pricing.

Brett and Barry are your specialists in Sydney and are available for free on-site consultations.



If you're north of the M4:

Brett Heather

Phone: 0400 700 778

Email: brett@grates2go.com.au

If you're south of the M4:

Barry Nakhoul

Phone: 0498 014 611

Email: barry@grates2go.com.au

Please contact Brett Heather for interstate enquiries.

Head Office & Retail Sales

Phone: (02) 4571 1530

Sales: 0400 700 778

Retail Enquiries: sales@grates2go.com.au

Account Enquiries: admin@grates2go.com.au

