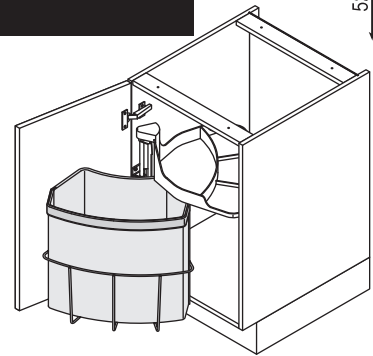
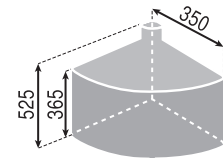


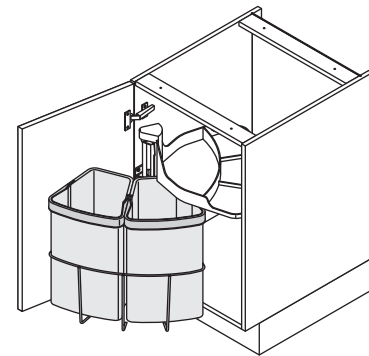
07/2019



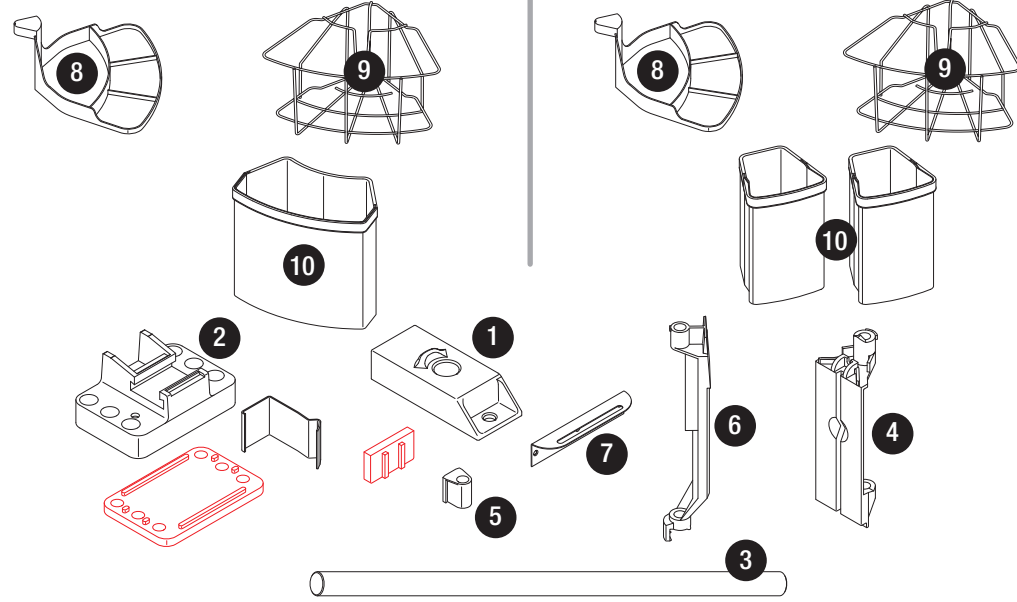
VS ENVI® Center



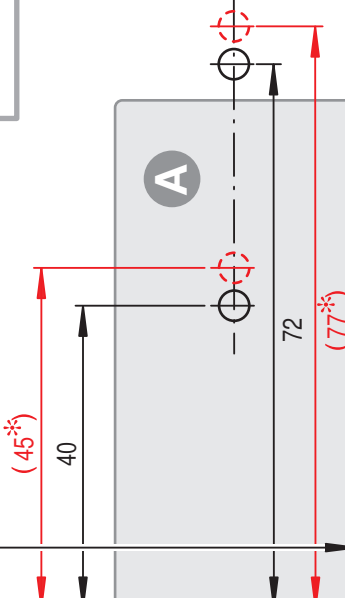
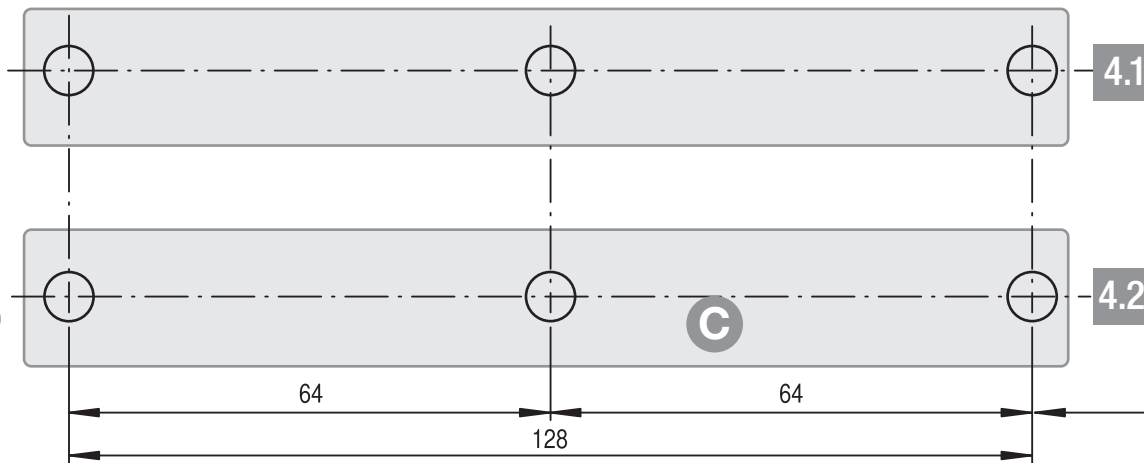
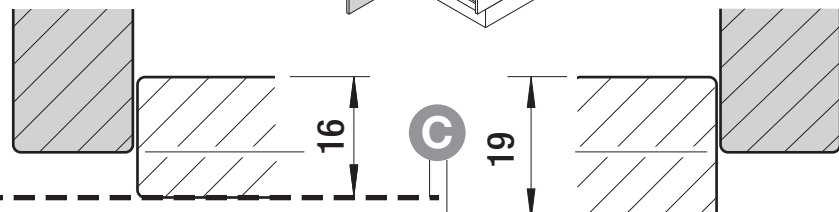
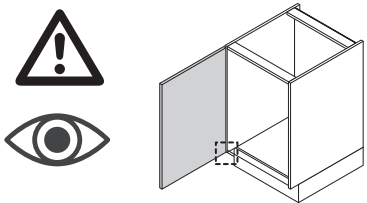
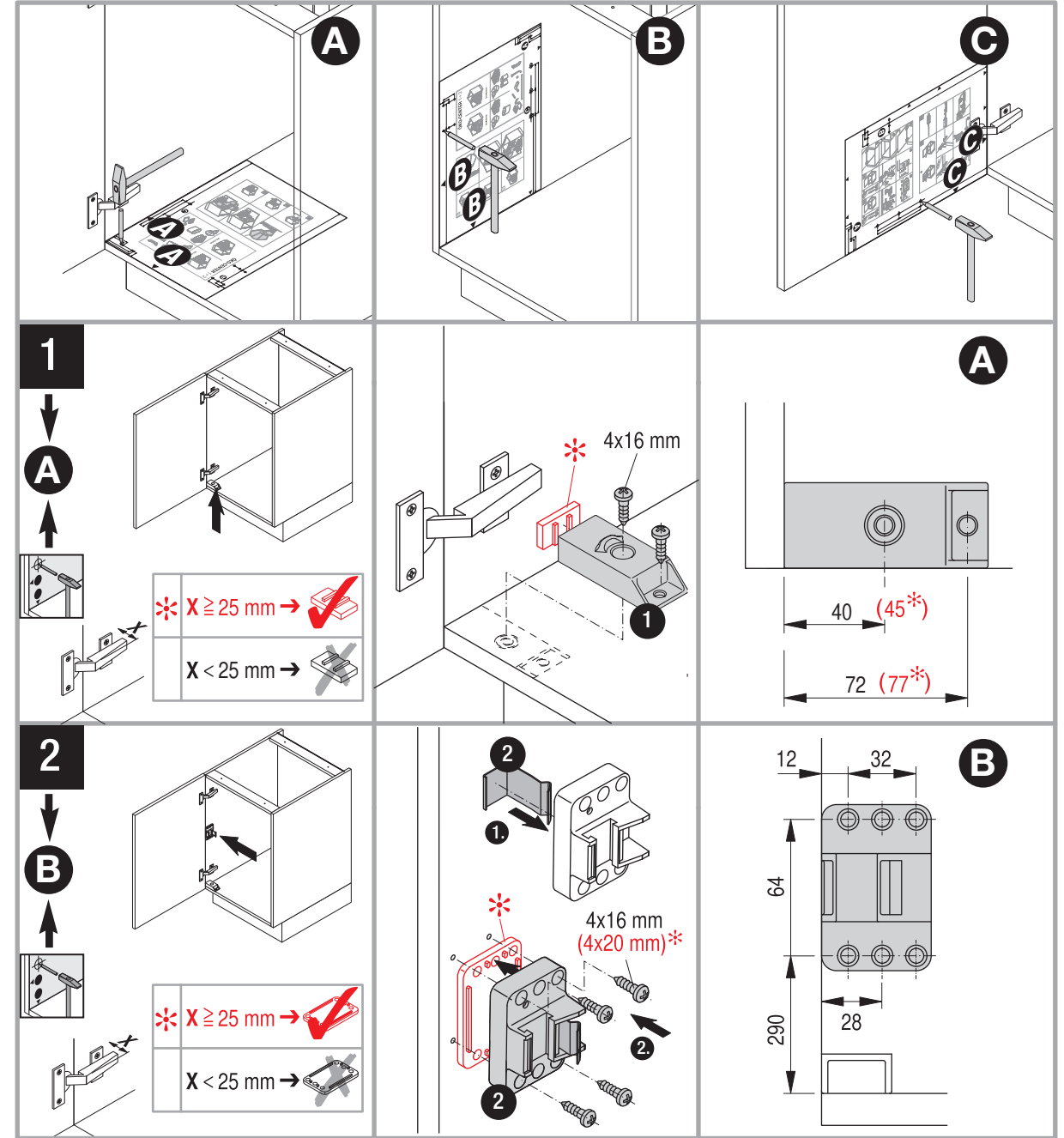
VS ENVI® Center 1



VS ENVI® Center 2



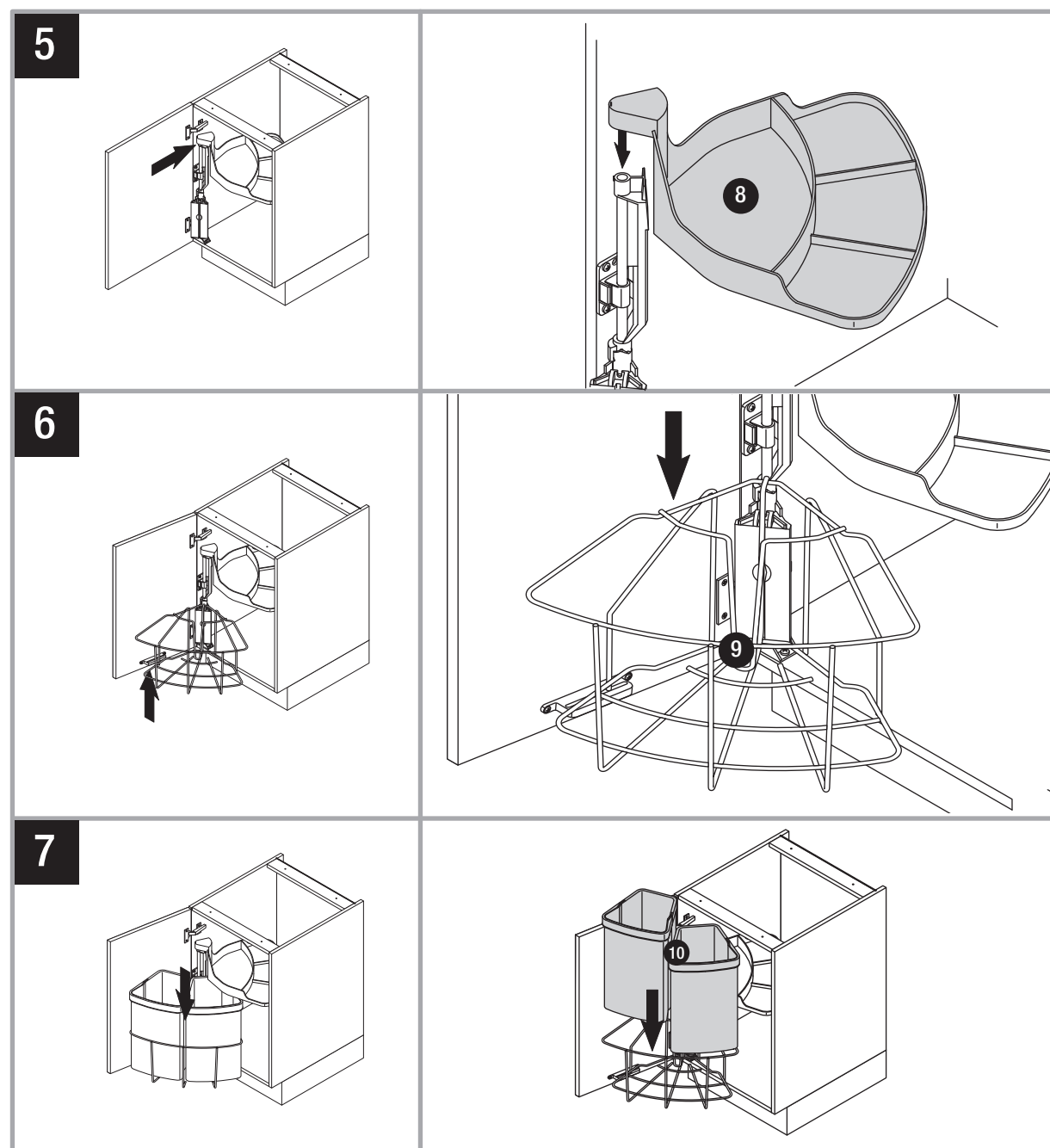
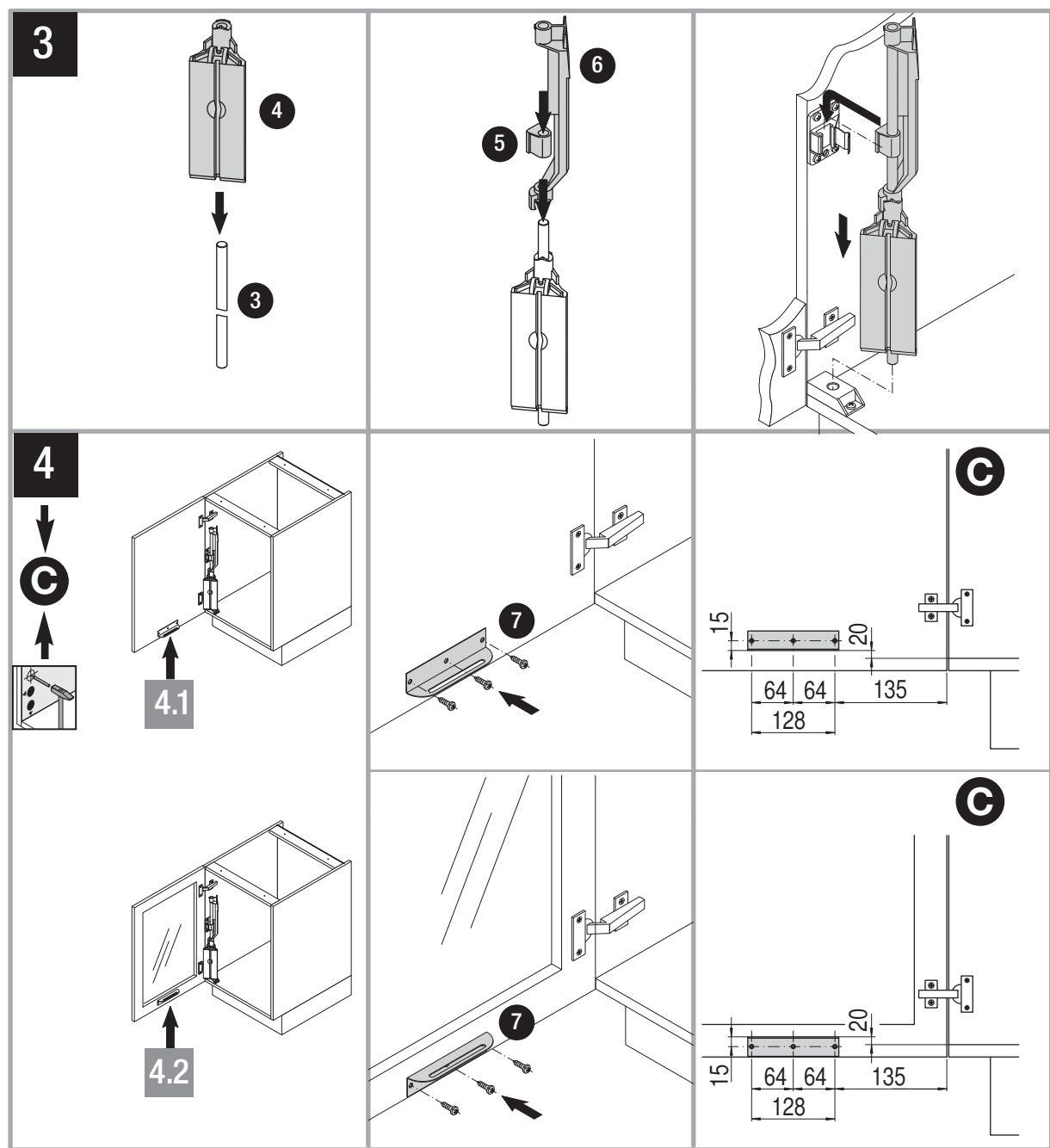
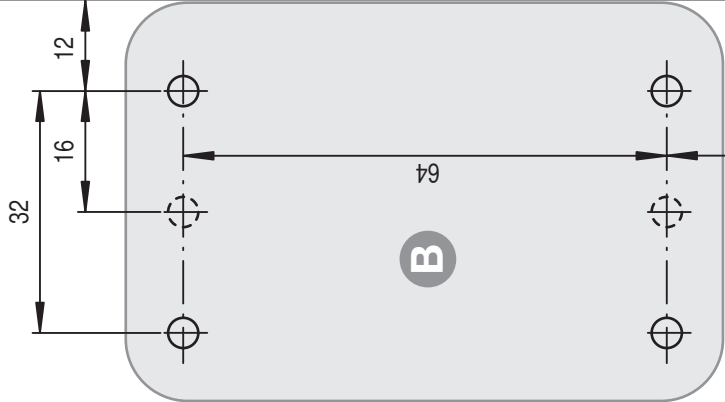
44007307_05



B

B

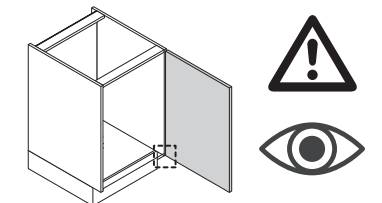
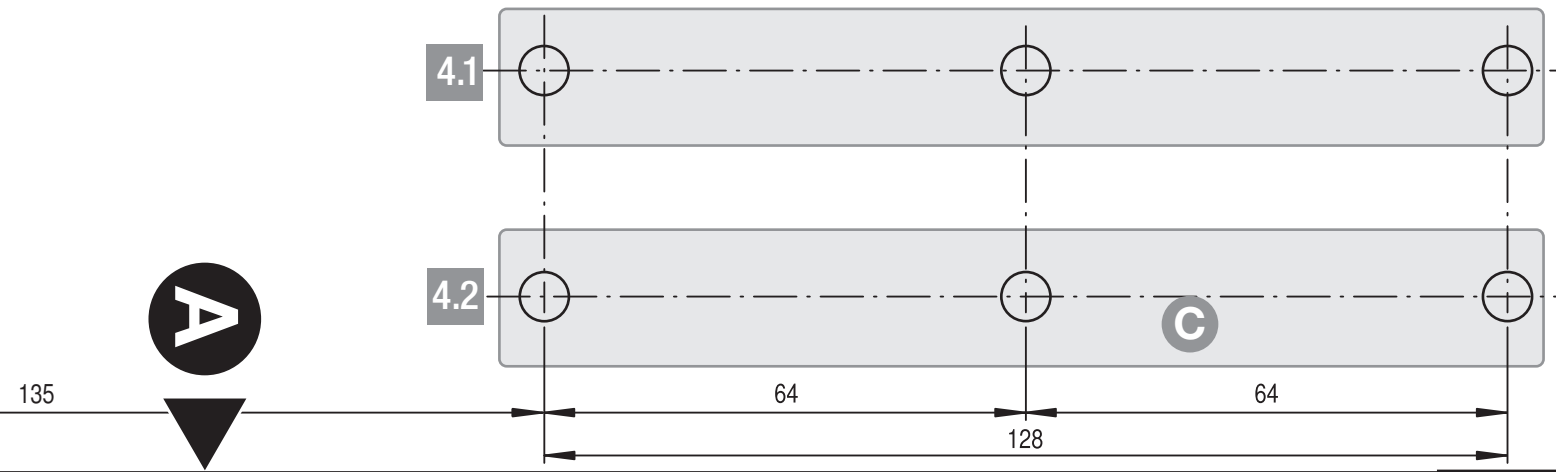
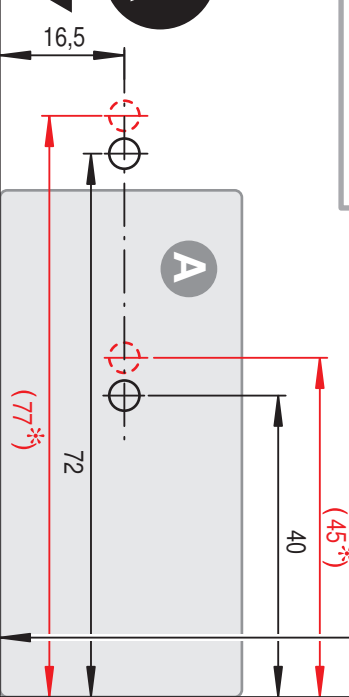
062



A

A

C



19

16