



MRC Foxbody 25.1 Cage Kit W/ Backhalf

Thank you for choosing MRC for your cage kit!

We hope we made this as painless as possible.

If there are any questions this sheet doesn't cover, please contact us by phone, Email or Facebook Messenger.

Phone - (636) 791 1541

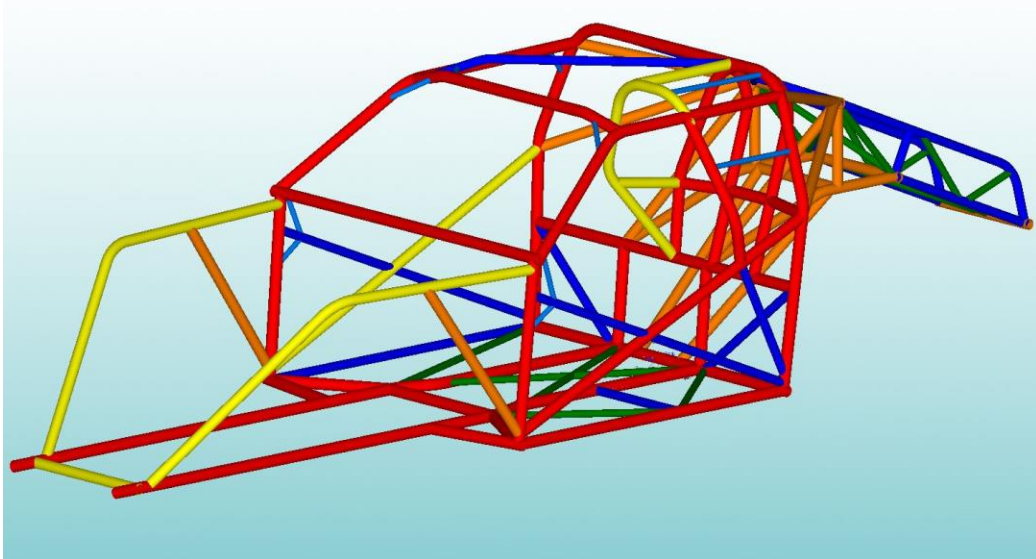
Email – info@mooreracechassis.com

We Strongly advise getting a copy of the 25.1 SFI book to refer to for bar locations.

This guide is to be a supplement to common roll cage installation techniques.

We are providing you with some measurements to help you set the bars where they need to go to fit other bars. All measurements are not provided.

Make sure the car is level, front to back and side to side.

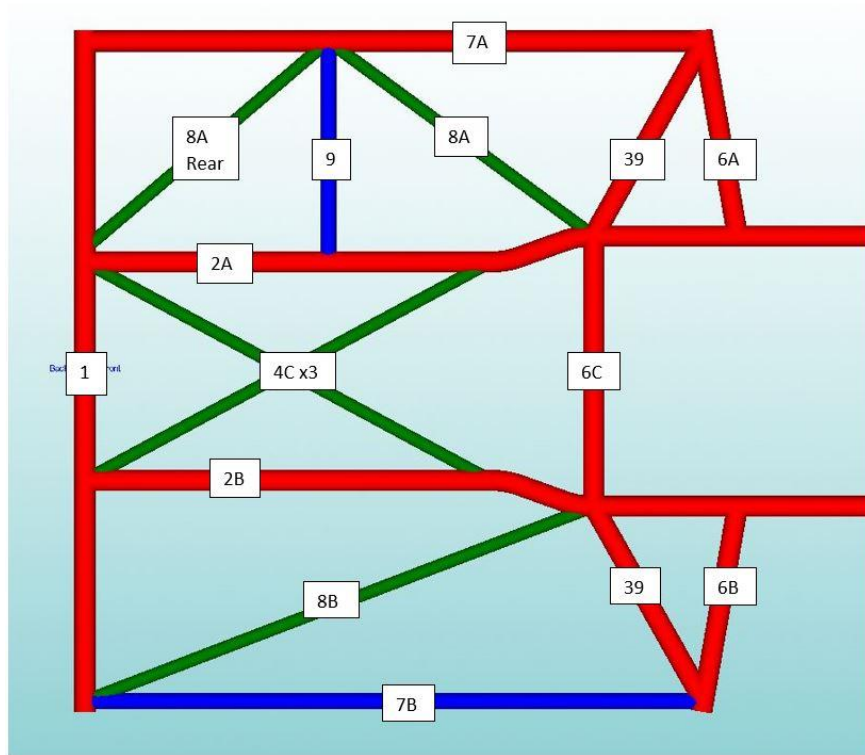
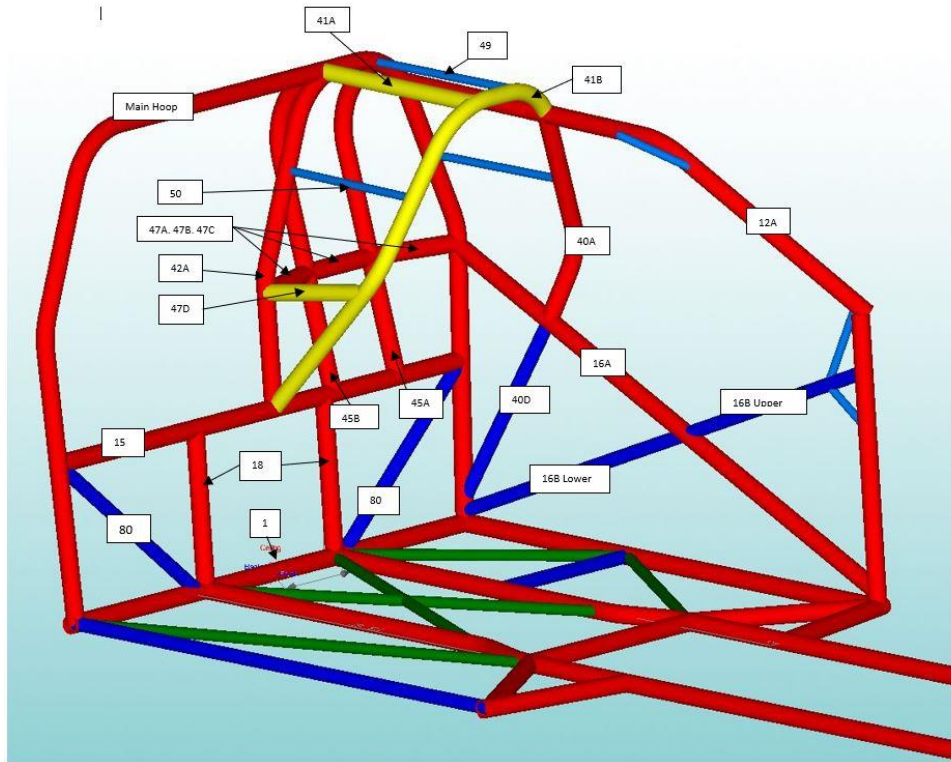


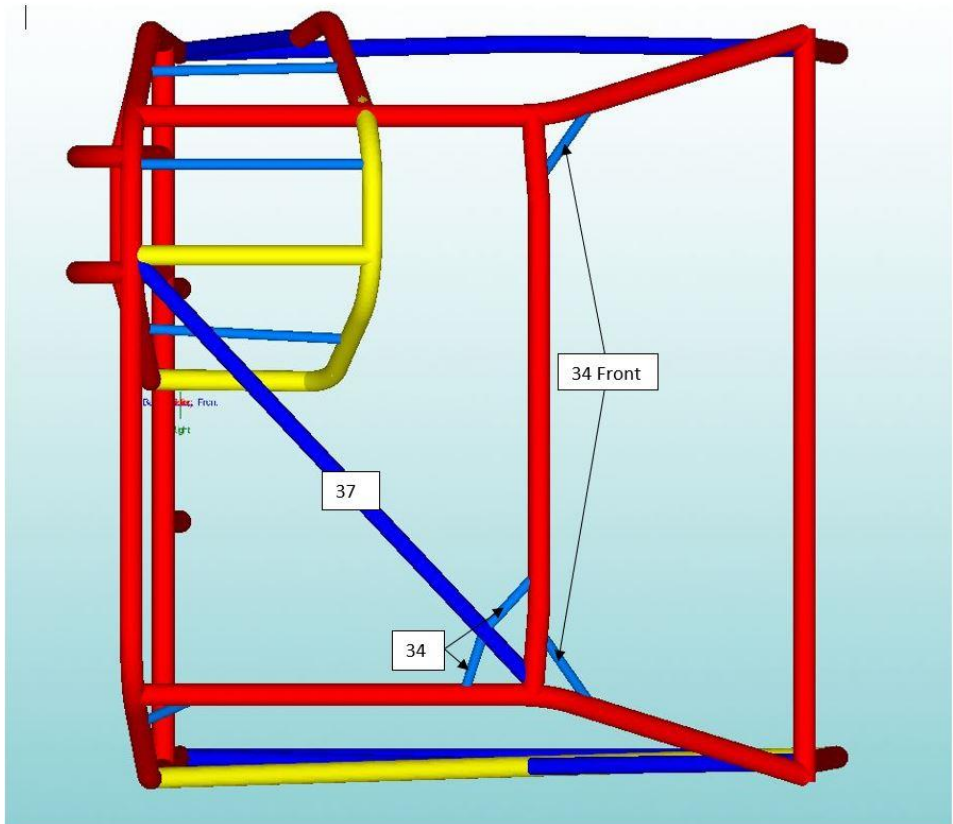
Please Make sure all tubes are accounted for when you receive the pallet. MRC is not responsible for missing tubes after 48 hours from the time of delivery.

Part Name	Die	Material	Length
34		.75 0.049	7 1/8
33 lower		.75 0.049	7 11/16
33 lower		.75 0.049	7 11/16
34		.75 0.049	7 7/8
34 Rear		.75 0.049	8 3/4
33		.75 0.049	9 15/16
33		.75 0.049	9 15/16
34 Front		.75 0.049	10
34 Front		.75 0.049	10
46		.75 0.049	16 15/16
Straight 82		.75 0.049	17 1/4
49		.75 0.049	19 7/16
Straight 53		1.00 0.058	10 5/8
Straight 53		1.00 0.058	10 5/8
Straight 52		1.00 0.058	14 5/16
Straight 52		1.00 0.058	14 5/16
Straight 51		1.00 0.058	17 13/16
Straight 51		1.00 0.058	17 13/16
4C		1.00 0.058	19 3/4
4C		1.00 0.058	19 3/4
Straight 64		1.00 0.058	23 15/16
Straight 65		1.00 0.058	23 15/16
8A Rear		1.00 0.058	26 5/8
8A		1.00 0.058	27 5/16
Straight 78		1.00 0.058	28 3/8
Straight 79		1.00 0.058	28 3/8
4C		1.00 0.058	37 7/16
Straight 81		1.00 0.058	43 15/16
Straight 50		1.250 0.058	8 11/16
Straight 50		1.250 0.058	8 11/16
9		1.250 0.058	18 15/16
40D		1.250 0.058	21 5/16
Straight 81		1.250 0.058	23 15/16
Straight 81		1.250 0.058	23 15/16
16B Upper		1.250 0.058	24 1/2

17B upper		1.250 0.058	24 1/2
Straight 48		1.250 0.058	27 9/16
Straight 48		1.250 0.058	27 9/16
16B Lower		1.250 0.058	29 1/4
17B lower		1.250 0.058	29 1/4
Straight 82		1.250 0.058	35 1/16
Straight 82		1.250 0.058	35 1/16
Part 183	1.500 6.5	1.250 0.058	44 3/8
Part 183	1.250 5.5	1.250 0.058	44 5/8
37	1.250 5.5	1.250 0.058	44 7/8
7b		1.250 0.058	49 5/8
Straight 45		1.500 0.058	13 7/8
Straight 46		1.500 0.058	13 7/8
Straight 68		1.500 0.058	18 3/4
Straight 41		1.500 0.058	20 5/8
Straight 42		1.500 0.058	20 5/8
Straight 47		1.500 0.058	20 5/8
Straight 59		1.500 0.058	27 7/16
Straight 59		1.500 0.058	27 7/16
Straight 85		1.500 0.058	29 1/2
Straight 85		1.500 0.058	29 1/2
Straight 66		1.500 0.058	31 5/8
Straight 66		1.500 0.058	31 5/8
Straight 43		1.500 0.058	32
Straight 44		1.500 0.058	32
Straight 77		1.500 0.058	34 5/8
Straight 77		1.500 0.058	34 5/8
2b	1.500 6.5	1.500 0.058	36 13/16
2b	1.500 6.5	1.500 0.058	36 13/16
47D		1.500 0.065	13 5/8
41A		1.500 0.065	19 1/2
Straight 80		1.500 0.065	24
41B	1.500 6.5	1.500 0.065	53 3/8
16B		1.500 0.065	56 9/16
Part 256	1.500 6.5	1.500 0.065	69 7/8
Part 256	1.500	1.500 0.065	69 7/8

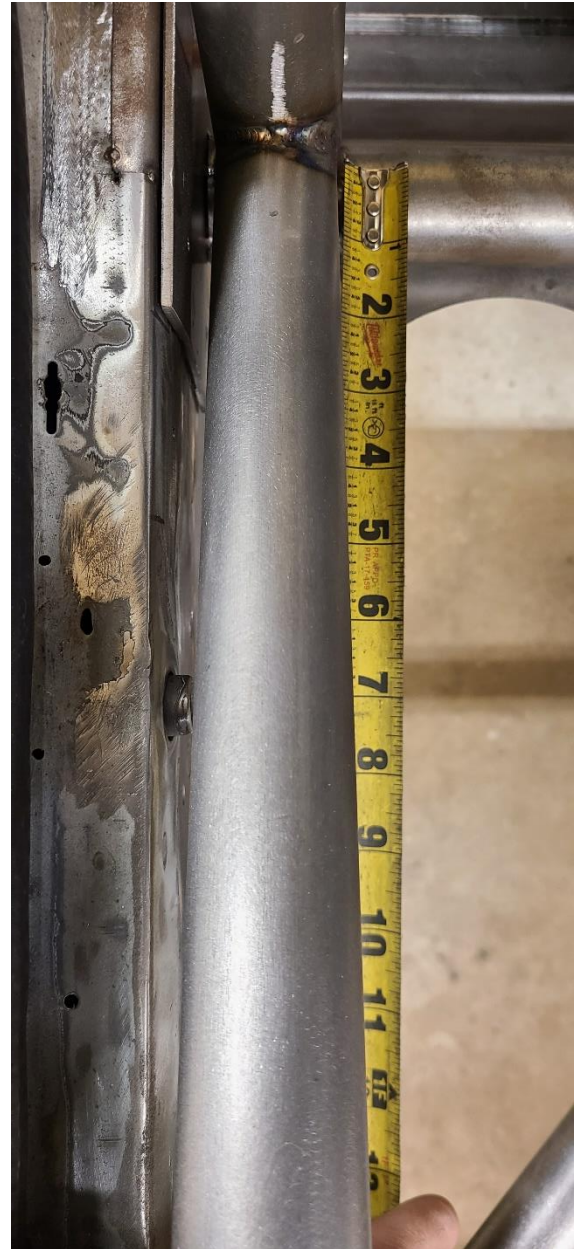
	6.5		
47C		1.625 0.083	10
47B		1.625 0.083	10 5/16
47C		1.625 0.083	11 1/4
18		1.625 0.083	16 1/8
18		1.625 0.083	16 1/8
6B		1.625 0.083	18
6A		1.625 0.083	18
39		1.625 0.083	19 3/16
39		1.625 0.083	19 3/16
6C		1.625 0.083	22 3/4
40A	1.625 6.5	1.625 0.083	24 1/16
12a Cont		1.625 0.083	27 1/2
12B cont		1.625 0.083	27 1/2
Part 234	1.625 6.5	1.625 0.083	31 5/8
Part 235	1.625 6.5	1.625 0.083	32 1/16
42A	1.625 6.5	1.625 0.083	34 1/8
13	1.625 6.5	1.625 0.083	44 1/4
7A		1.625 0.083	49 5/8
#1		1.625 0.083	54 1/4
15		1.625 0.083	54 3/8
12B	1.625 6.5	1.625 0.083	55 3/8
12B	1.625 6.5	1.625 0.083	55 3/8
11		1.625 0.083	56 1/4
16A		1.625 0.083	56 9/16
2a	1.625 6.5	1.625 0.083	109 3/16
2a	1.625 6.5	1.625 0.083	109 3/16
Main Hoop	1.625 6.5	1.625 0.083	126 1/4



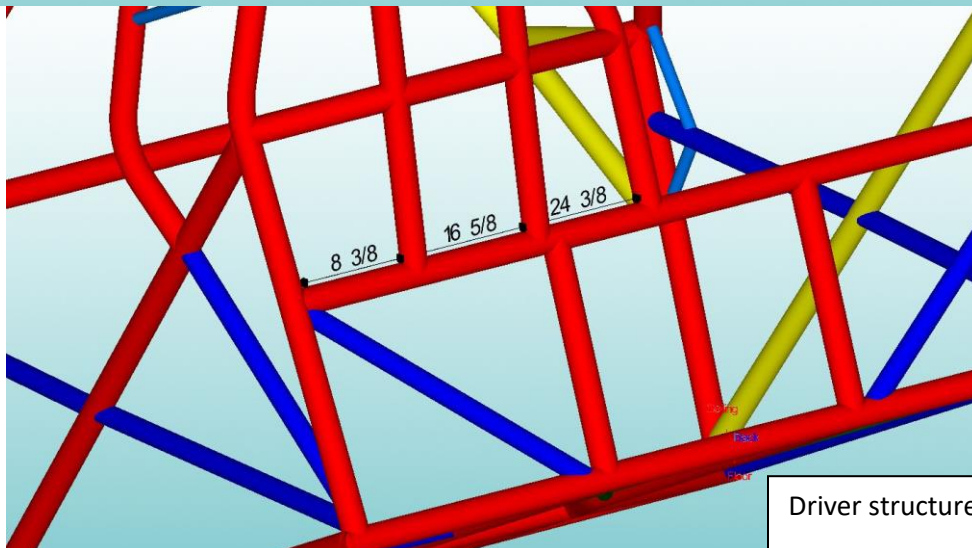
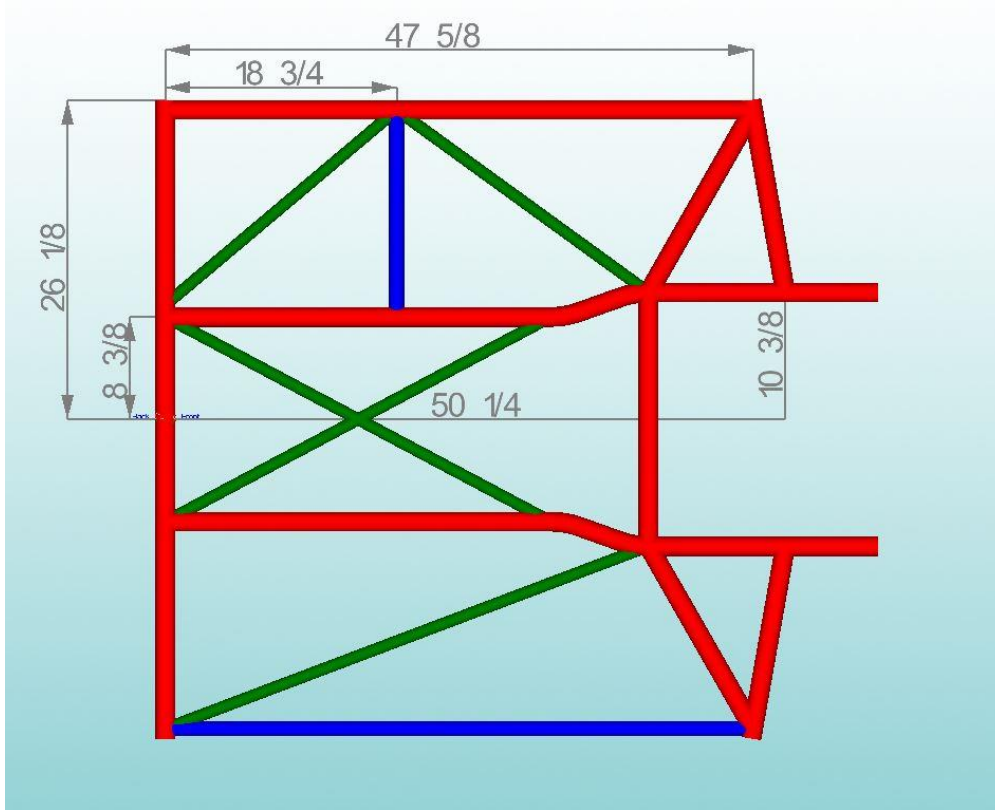


Setting the #1 Bar is very critical to the rest of the cage.

- -From the middle of the Factory seat belt mount to the middle of the #1 Bar is 7"
- -The plates are flush with the bottom of the pinch weld
- -The bottom of the #1 bar is a 1/4 inch above the bottom of the plate and pinch weld.

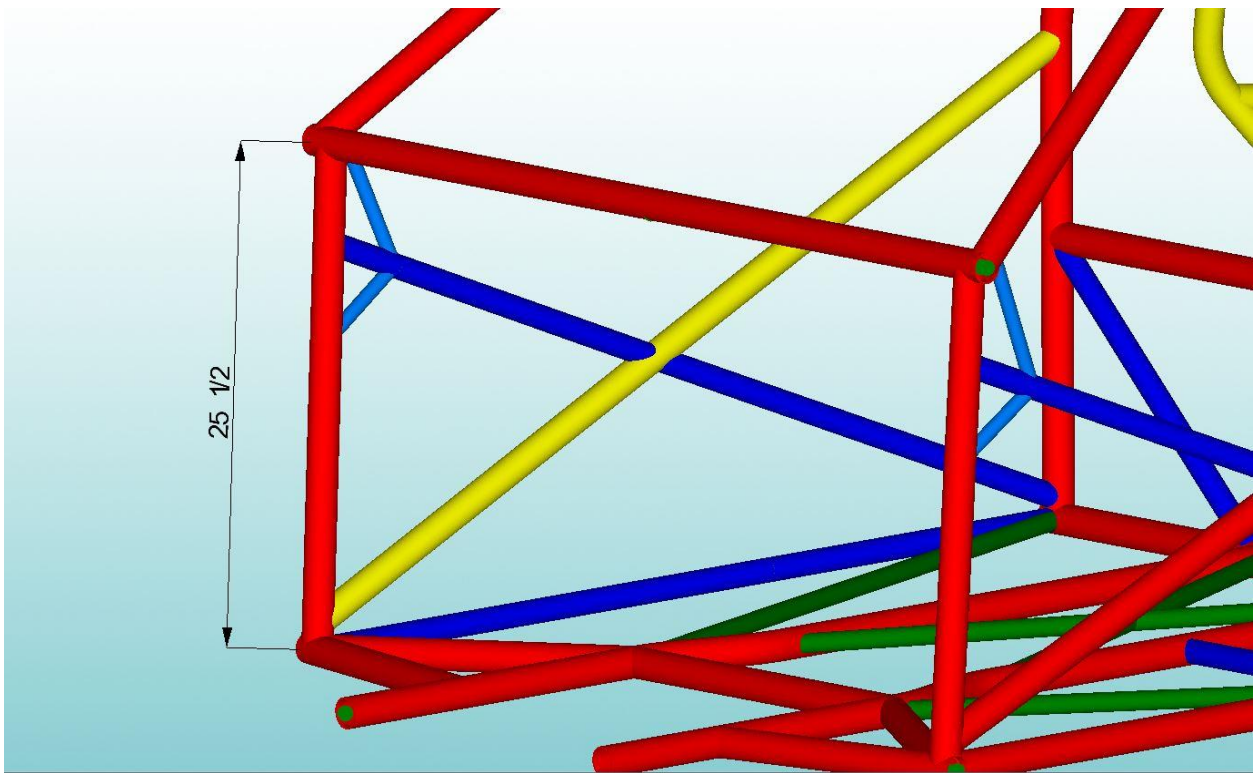
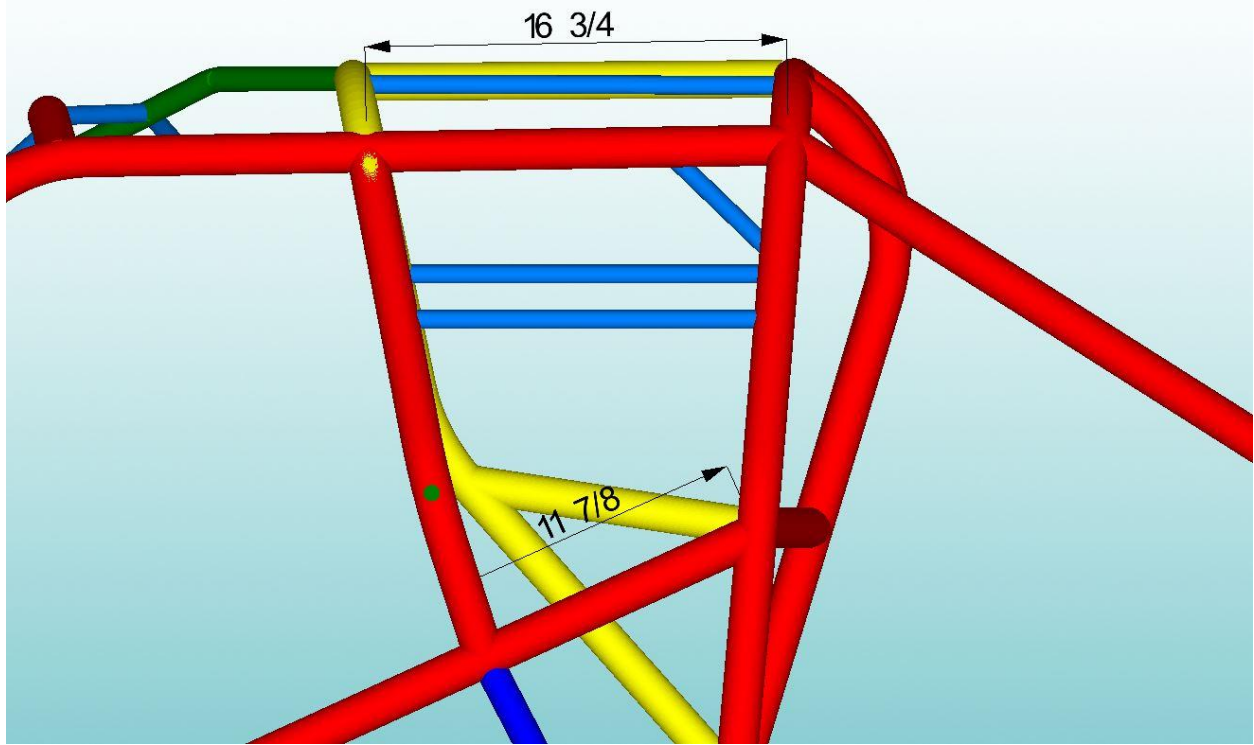


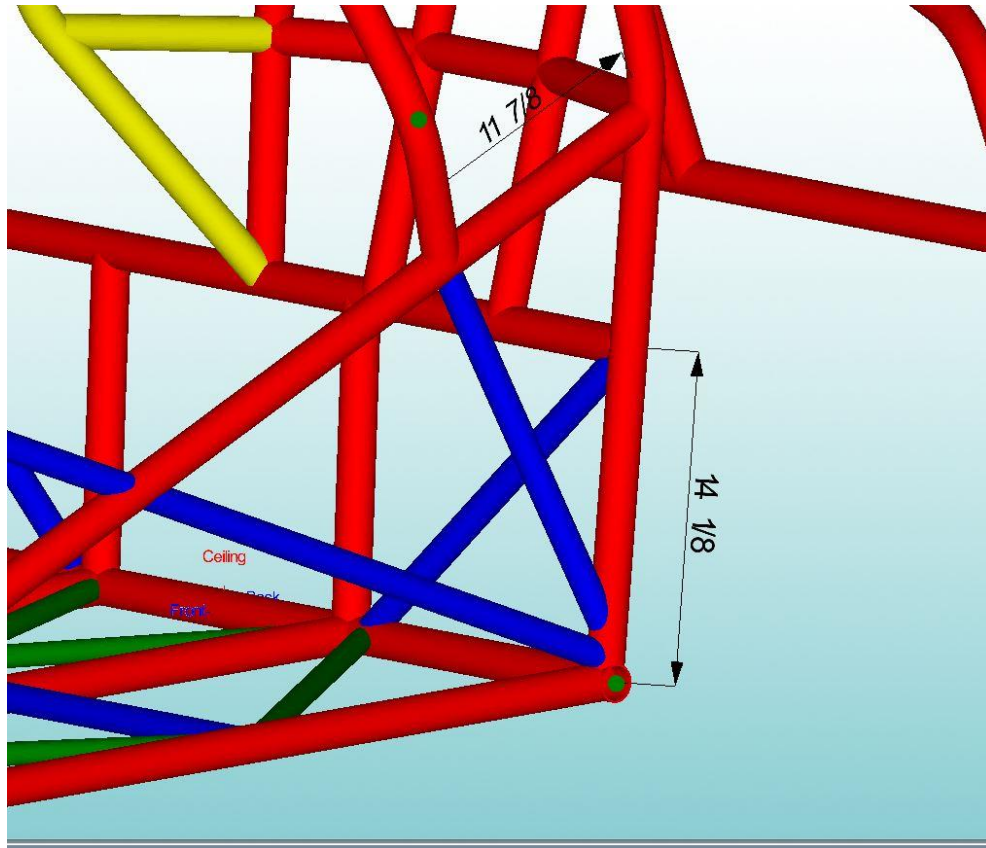
- -The below dimensions are to the middle of the tube.
- -These are the most critical dimensions and should be followed strictly to ensure a proper fit.



Driver structure dimensions

-Measured from middle of main hoop
to the middle of each tube





This covers most critical dimensions. If there is anymore you need or want to double check. Please feel free to reach out to us.

Warranty: There is no warranty stated or implied due to unusual stresses placed on race cars

and components because we have no control over how they are maintained and used. Moore Race Chassis and fabrication LLC accepts no liability for failures of racing products manufactured or sold by MRC. The customer accepts all risks involved with racing and hazards thereof, MRC makes no claims nor does it intend for it's products to be used on street driven vehicles.

