



HOSPITAL BED

# Enterprise 5000X

# Designed for you and your patient

The Enterprise® 5000X hospital bed from Arjo delivers significant benefits to the patient, caregiver and healthcare facility.

The daily challenges faced by nursing teams on hospital wards have inspired Arjo to improve upon an established solution, trusted by hospitals around the globe. In the development of the Enterprise 5000X hospital bed, Arjo has focused on key customer needs common to all healthcare environments, namely:

- Safety for both patient and carer.
- Compliance with new international standards.
- Equipment that is robust, intuitive and easy to use.
- Solutions focused on the quality of care for patients.







## Safety

A safe environment is critical to the well-being of patients and carers. Falls affect as many as 10% of older adults during an acute care inpatient stay<sup>1</sup> and can result in serious and often life-threatening injuries.



Caregivers are also at risk, with up to 80% of US nurses suffering an injury directly related to patient handling at some point in their career<sup>2</sup>.

The Enterprise 5000X aims to reduce the risk of injury for staff and provide a safer environment for the caregiver.

- ACP (Attendant Control Panel) controls are backlit to ensure safe and consistent operation during evening or low light levels.
- Low height – a key advantage in reducing the risk of injury through falls.
- Underbed light – the bed exit area on both sides of the bed is illuminated to help guide patients when leaving the bed in a poorly lit room.

# The new bed standard

Developed by the International Electrotechnical Commission (IEC), the IEC60601-2-52:2009 Standard is the new benchmark for medical bed performance and safety.

Whilst the standard covers many aspects including electrical safety, load bearing, stability and durability, one of the main requirements focuses on reducing risk of patient entrapment in and around the bed frame.

Use of extensive incident and risk data has enabled the IEC to identify a number of areas around the bed (illustrated below) where entrapment of a patient's head, neck or chest might result in a serious or life-threatening situation. By prescribing stringent test parameters for these areas, the aim is to reduce entrapment risks to the minimum possible level during operation and use of the bed.

The Enterprise 5000X has been independently tested by a globally renowned organisation, to certify that it is compliant with the latest stability, dimensional and safety requirements of the IEC60601-2-52 Standard.



Gap between bars of safety side rail < 120 mm



Gap between edge of mattress and safety side rail < 120 mm (plus additional test for mattress compression)

Gap between edge of safety side and headboard / footboard < 60 mm or > 318 mm



## Also available with split sides

Split side rails offer a modern aesthetic whilst providing flexible safety and patient access options. Hand grips incorporated into the side rail design allow for greater patient mobilisation assist

Also available with soft drop mechanism

Integrated split side rail controls are available on our Enterprise 8000X model



# Intuitive operation and ease of use

Our one-button-push controls are intuitive and easy to use, thanks to clear and simple icons. One touch functions can be used for key features, such as:

- Auto CPR
- 30 degree backrest angle
- Auto-contour
- Cardiac chair position
- Low height and extra low height
- Trendelenberg / reverse Trendelenberg

Some or all of these functions may be locked out by the caregiver if required.



A choice of patient handsets is available.

## Three position bed extension

Different bed lengths are now easily configurable in a single sub-frame, offering greater flexibility and choice:

- Short 219 cm
- Standard 230 cm
- Extended 242 cm

This new design also integrates an extendable deck sheet to ensure full mattress support at each length.



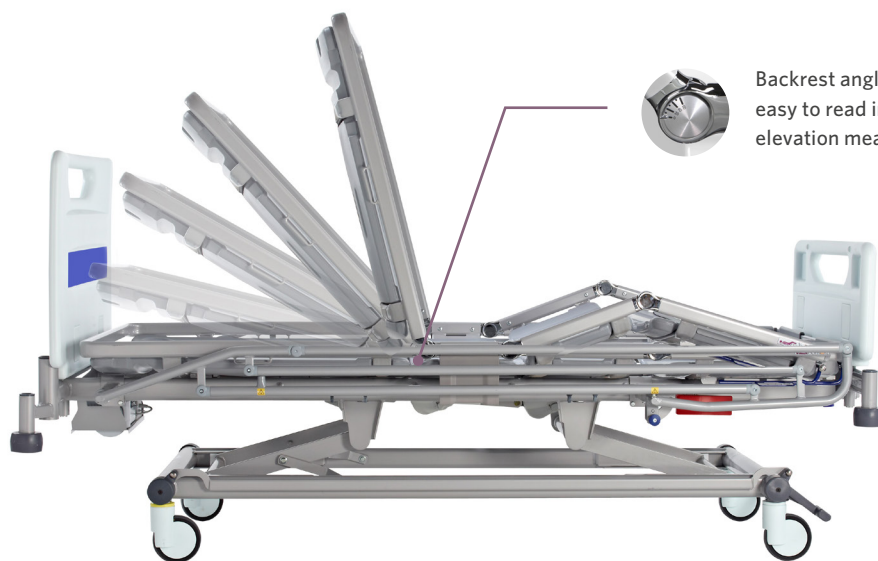
# Enhancing the quality of care



The backrest will pause when raised to an angle of 30 degrees, ensuring easy and positive backrest adjustment time after time. Studies show that the 30 degree backrest angle is the minimum requirement for providing recognised physical, postural and clinical benefits<sup>3</sup>.



The caregiver can easily adjust the bed into a cardiac chair position with our simple to use control panel, by selecting the appropriate icon.



Backrest angle indicators provide easy to read information for head elevation measurements.

Pressure injuries are one of the most common preventable harms in healthcare facilities, with prevalence rates between 11.9%-15.8% quoted in acute hospitals<sup>4</sup>. Pressure injuries are most likely to develop when a person is immobile and spends prolonged periods on surfaces that do not provide appropriate pressure redistribution.

Our patented 'Bio-Contour profiling' design blends a unique combination of bed section movements with a curved mattress platform, designed to assist in the management of pressure and shear - the main cause of pressure injuries.

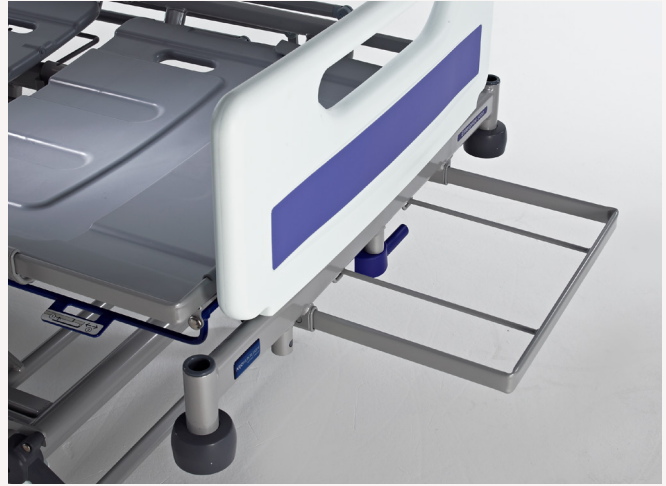




# Infection control, pit stop maintenance and service



The Enterprise 5000X is designed with open architecture and no base cover to allow ease of access for cleaning and decontamination.



Blow moulded decksheets and head/foot panels are lightweight, smooth and easily removable to aid cleaning. The linen shelf provides a convenient storage place for linen during bed making procedures.



Pit stop maintenance is achieved by designing open accessibility and plug and play components. Changes such as actuator, control box and battery can be carried out in situ within a few minutes by one trained person.



Equipment is designed to be easy to service and maintain, reducing time spent on cleaning, service and maintenance activities.

# Options



Linen shelf



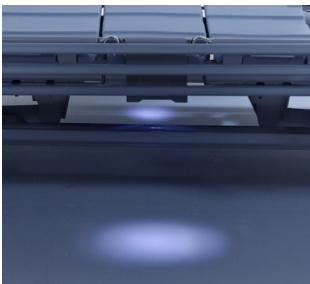
Variable height foot switch



Patient handsets



Din rail



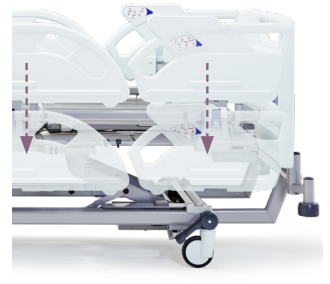
Underbed light



Non powered 5<sup>th</sup> wheel

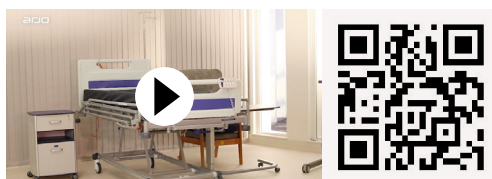


Panel colour options



Folding safety sides with soft drop mechanism

## Learn more about Enterprise and IndiGo



[Enterprise Range Demonstration Video](#)



[IndiGo Demonstration Video](#)

# Optional: Now available with IndiGo®

IndiGo is the powered 5<sup>th</sup> wheel that makes lighter transport available to any caregiver with just a touch - for safety and simplicity. IndiGo is always available and built directly into your Citadel or Enterprise bed, so only one thing changes in a caregiver's day: the amount of work required to move the bed.

Read more about IndiGo: [Arjo.com/indigo](http://Arjo.com/indigo)

Up to **60%** work reduction when going up slopes<sup>5</sup>

Up to **70%** work reduction when moving down slopes<sup>5</sup>

The infographic consists of two columns. The left column features a silhouette of a person pushing a bed up a slope, with the text 'Up to 60% work reduction when going up slopes<sup>5</sup>'. The right column features a silhouette of a person pulling a bed down a slope, with the text 'Up to 70% work reduction when moving down slopes<sup>5</sup>'.



# Product specifications

## FEATURES

Electrically operated backrest, knee-break and height adjustment	•
Electrically operated Trendelenberg / Reverse Trendelenberg tilt	±12°
Auto-CPR and Auto-contour button	•
Battery back-up	•
Bio-Contour profiling system	•
One button chair position	•
Dual sided CPR levers	•
30° backrest angle pause	•
Angle indicators for backrest	•
Built-in bed extension with mattress platform extension	•
Removable head and foot panels with choice of colour infills	•
Drainage bag rails	•
Removable plastic deck sheets (curved or flat)	•
Linked braking / steering system with four braking castors	•
125mm single wheel castors	(•)
150mm single wheel castors	(•)
150mm twin wheel castors	(•)
Additional brake pedals at head end	(•)
Full width brake bar (foot end only)	(•)
DIN rails	(•)
Under-bed light	(•)
Folding safety sides	(•)
Folding safety sides with soft drop mechanism	(•)
Pull-out linen shelf	(•)
Split safety sides	(•)
Variable height foot switch	(•)
Non powered 5 <sup>th</sup> wheel	(•)
IndiGo intuitive drive assist	(•)

• Standard (•) Optional

Note: Available in Head off Deck (HOD) and Head off Base (HOB) configurations

### References:

1. McCarter-Bayer A, Bayer F, Hall K Preventing falls in acute care: an innovative approach. *Journal of Gerontological Nursing* (2005), 31(3):25-33

## SPECIFICATIONS

Overall standard length	2350 mm (HOB), 2300 mm (HOD)
Overall width	1030 mm
Mattress length standard	2020 mm
Mattress width	880 mm
Overall extended length	2470 mm (HOB), 2420 mm (HOD)
Mattress extended length	2140 mm
Overall length short	2240 mm (HOB), 2190 mm (HOD)
Mattress length short	1910 mm
Top height (with 125mm castors)	760 mm
Low height (with 125mm castors)	320 mm
Backrest length	850 mm
Seat length	215 mm
Calf length	560 mm
Thigh length	365 mm
Safe working load /Maximum patient weight	250 kg/185 kg
Head down tilt	12°
Foot down tilt	12°
Backrest angle	62°
Backrest pause	30°
Thigh angle	20°
Calf angle	16°
Ingress protection	IPX4
Shock protection	Class 1, Type B
Power in	1.25A at 230V AC 50 / 60Hz
Power in	2A at 120V AC 50 / 60Hz
Safety standard	IEC60601-2-52

2. Cohen, M. et al. (2010) PHAMA Patient Handling And Movement Assessment. The Facility Guidelines Institute.
3. Tablan OC, Anderson LJ, Besser R, et al. Guidelines for prevention of health-care-associated pneumonia, 2003: Recommendations of CDC and the Healthcare Infection Control Practices Advisory Committee. *MMWR Recomm Rep.* 2004;53 (RR-3):1-36.
4. Coleman S, Smith IL, McGinnis E, Keen J, Muir D, Wilson L Stubbs N, Dealey C, Brown S Nelson E.A, Nixon, J (2016). Clinical evaluation of a new pressure ulcer risk assessment instrument, the Pressure Ulcer Risk Primary or Secondary Evaluation Tool (PURPOSE T). *J Adv Nurs.* 2018;74:407-424. <https://doi.org/10.1111/jan.13444>
5. Matz, M., Morgan, J. (2018). The Case For Powered Bed Transport (Whitepaper)

March 2020. Only Arjo designed parts, which are designed specifically for the purpose, should be used on the equipment and products supplied by Arjo. As our policy is one of continuous development we reserve the right to modify designs and specifications without prior notice. ® and ™ are trademarks belonging to the Arjo group of companies.  
© Arjo, 2020

At Arjo, we believe that empowering movement within healthcare environments is essential to quality care. Our products and solutions are designed to promote a safe and dignified experience through patient handling, medical beds, personal hygiene, disinfection, diagnostics, and the prevention of pressure injuries and venous thromboembolism. With over 6000 people worldwide and 60 years caring for patients and healthcare professionals, we are committed to driving healthier outcomes for people facing mobility challenges.

Arjo AB · Hans Michsensgatan 10 · 211 20 Malmö · Sweden · +46 10 335 4500

[www.arjo.com](http://www.arjo.com)