

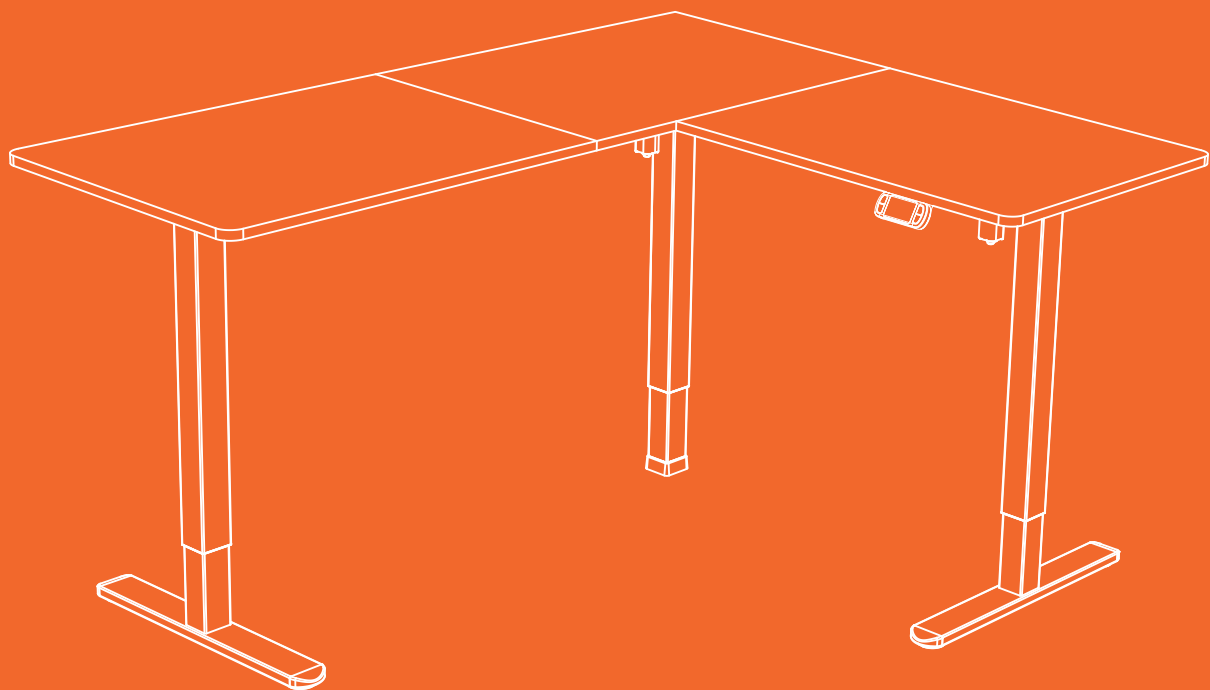


Electric Standing Desk

Instruction Manual

Rev00(A)

EGESD8B / EGESD8V



Technical Support:

(US/CA) 1-800-651-9525 Mon-Fri, 8am-8pm (CST)

(UK) 44-808-196-3875 Mon-Fri, 2pm-10pm (UTC)

Other Info: support@ergear.com

Website: <https://ergear.com>

Specifications

Height Adjustment Range:
28.3"–46.5" (72–118cm)



Power Input
100V–240V



Max. Speed
20mm/s



Operating Noise
<55dB

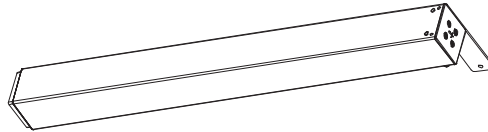


Max. Load
220 lbs / 100kg

Step 1

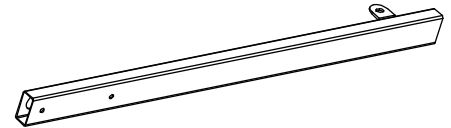
Supplied Parts and Hardware

01 x 1



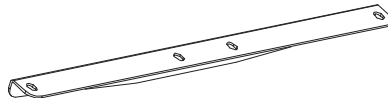
Left Desk Leg

02 x 1



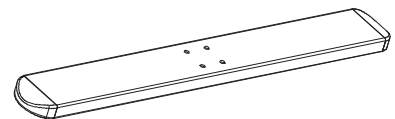
Left Desk Leg Crossbar

03 x 2



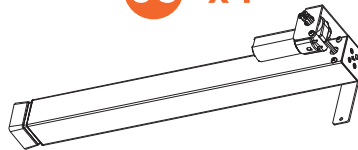
Side Plate

04 x 2



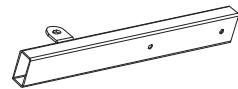
Leg Base

05 x 1



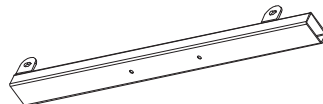
Middle Desk Leg

06 x 1



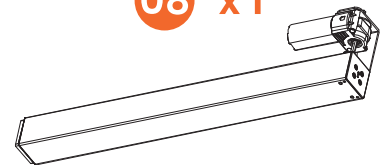
Middle Desk Leg Crossbar

07 x 1



Middle Desk Leg Crossbar

08 x 1



Right Desk Leg

09 x 1



Right Desk Leg Crossbar

A x 12



Bolt
M6 x 11mm

B x 8



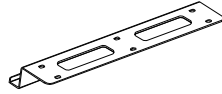
Bolt
M6 x 35mm

C1 x 1



Large Allen Wrench
3/16" (5mm)

10 x 1



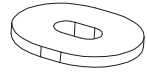
Long Crossbar Connector

11 x 1



Short Crossbar Connector

D x 23



Rubber Pad

Step 2

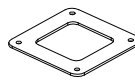
Supplied Parts and Hardware

E x 16



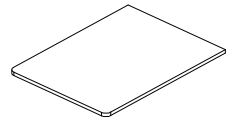
Screw
M5 x 16mm

12 x 4



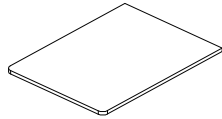
Desktop Panel Connector

13 x 1



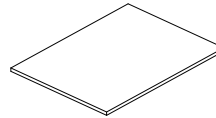
Left Desktop Panel

14 x 1



Right Desktop Panel

15 x 1



Middle Desktop Panel

Step 3

Supplied Parts and Hardware

A x 8



Bolt
M6 x 11mm

C1 x 1



Large Allen Wrench
3/16" (5mm)

E x 25



Screw
M5 x 16mm

16 x 1



Controller

Step 4

Supplied Parts and Hardware

17 x 1



Transmission Rod

C2 x 1

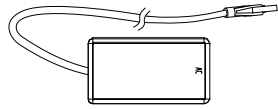


Small Allen Wrench
5/64" (2mm)

Step 5

Supplied Parts and Hardware

18 x 1



Power Connection Box

19 x 1



Power Cable

20 x 2



Motor Connection Cable

F x 4

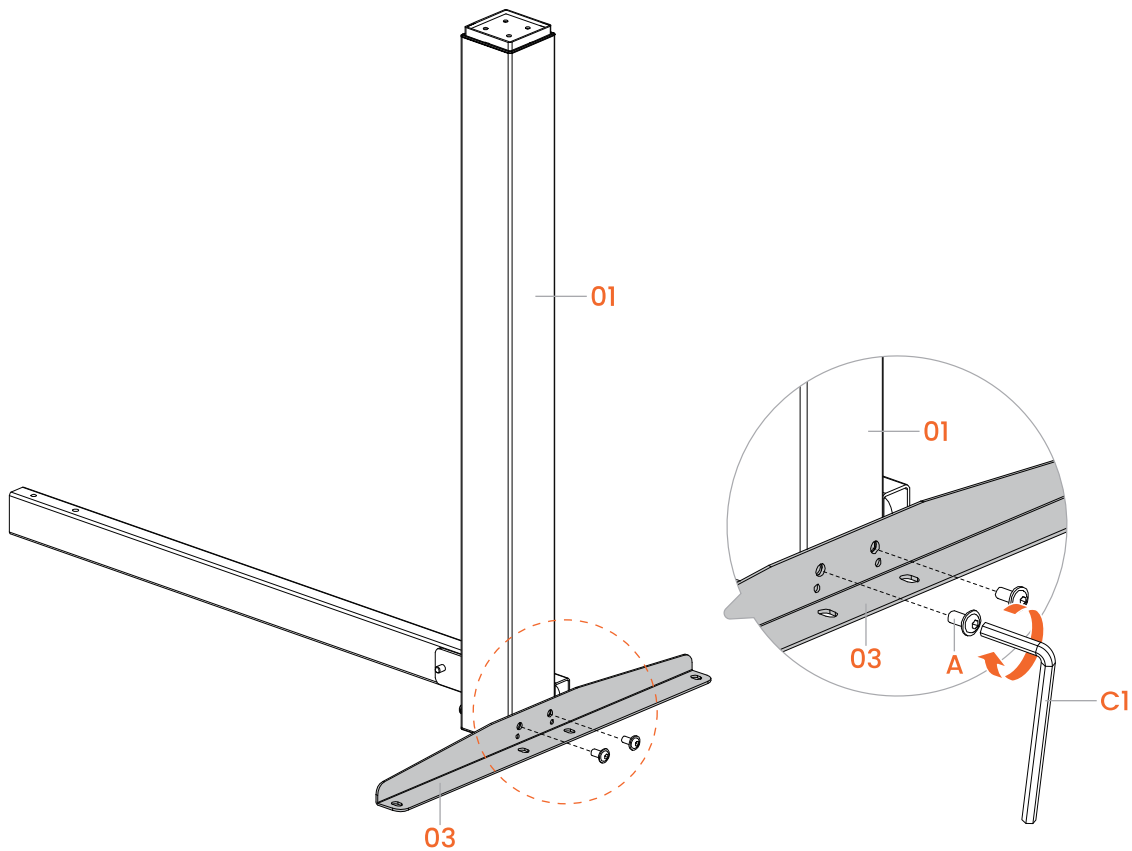
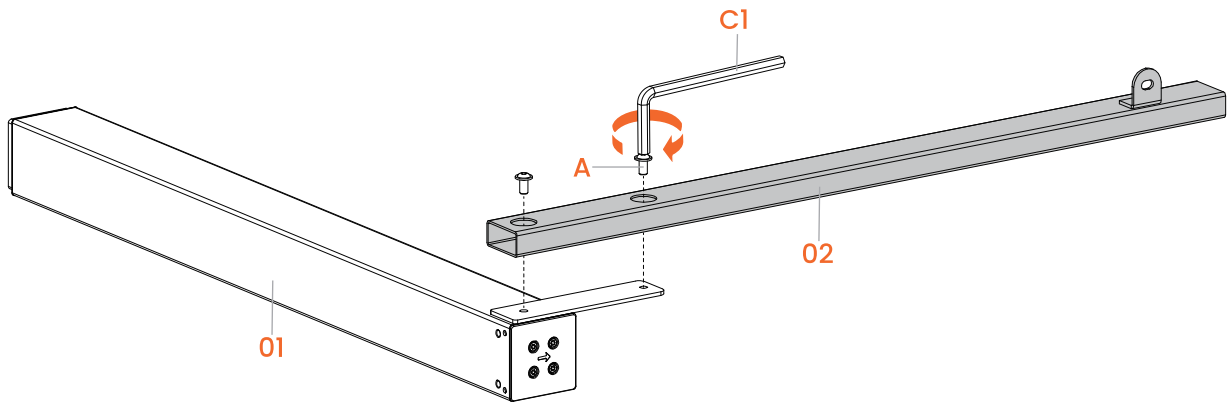


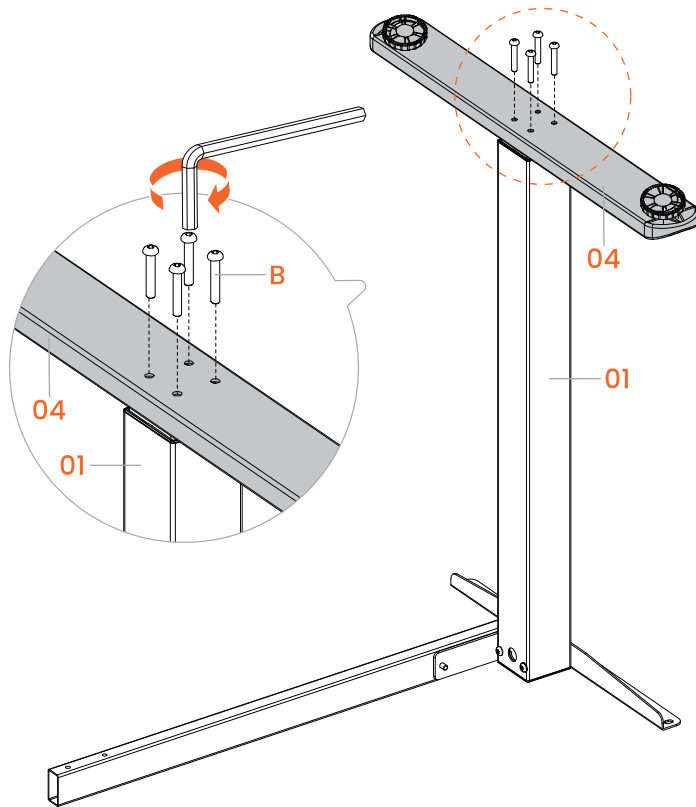
Cable Clip

Note: If you choose assembly option B, only one motor connection cable will be used.

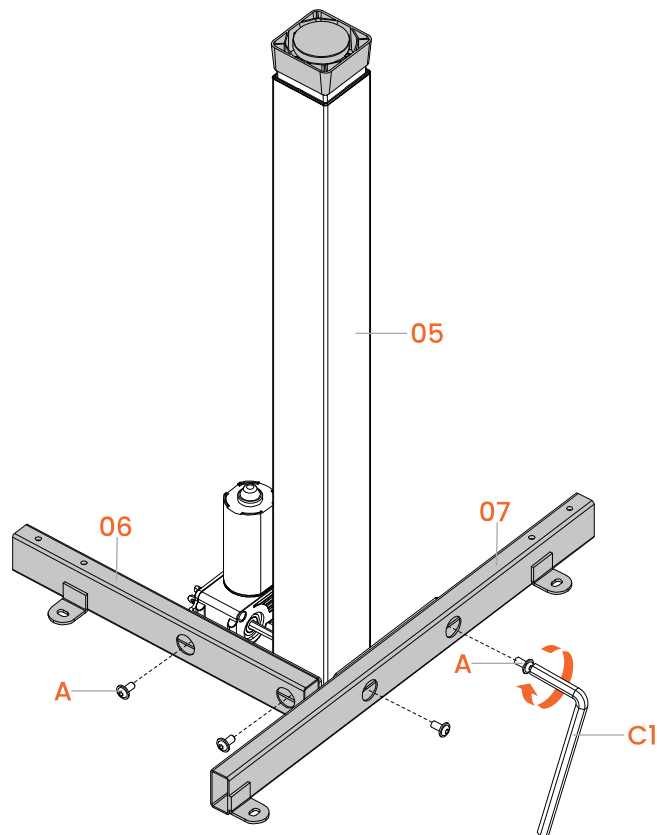
Step 1 Assembling the Leg Sections

Assemble the left leg section (using the leg without a motor).

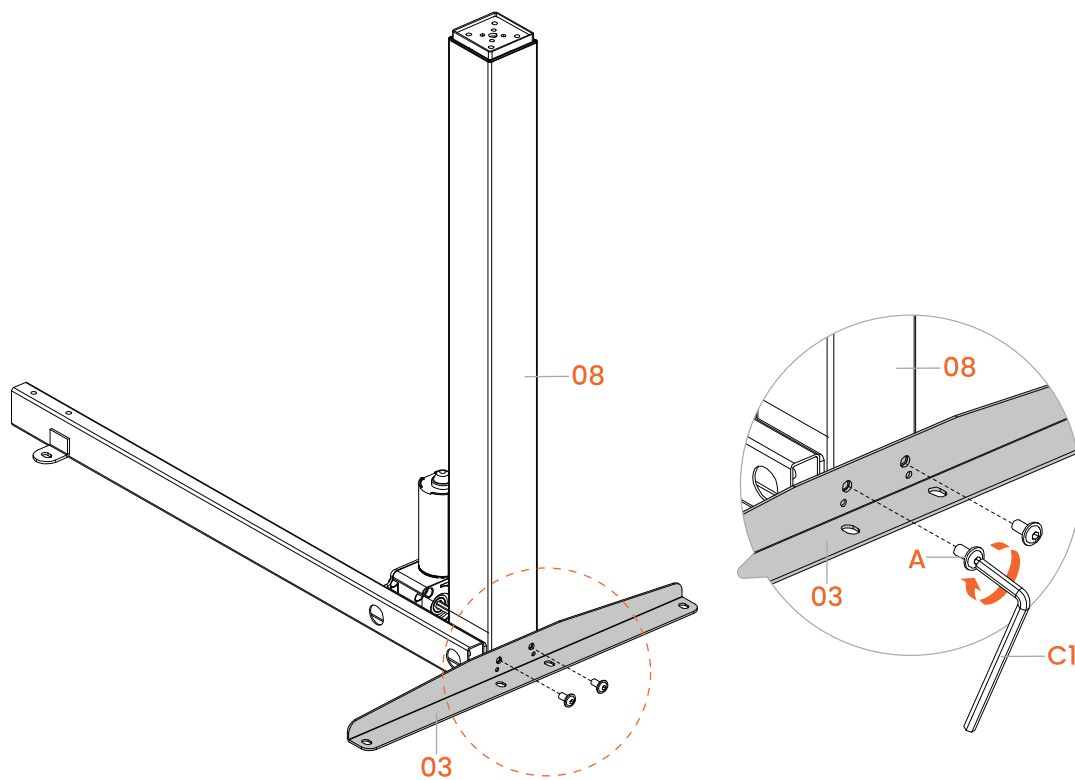
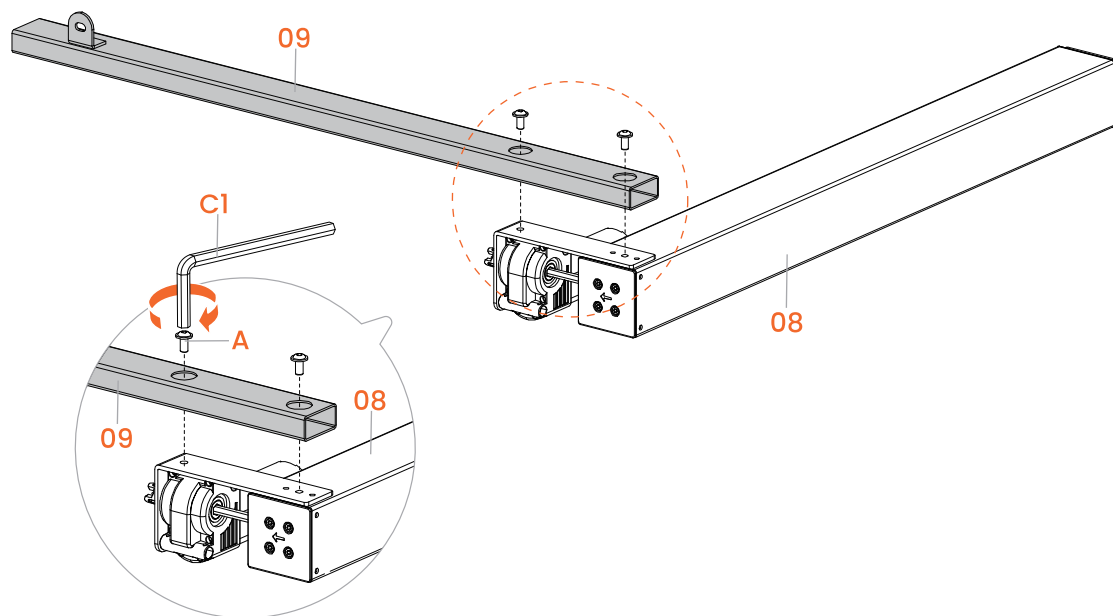


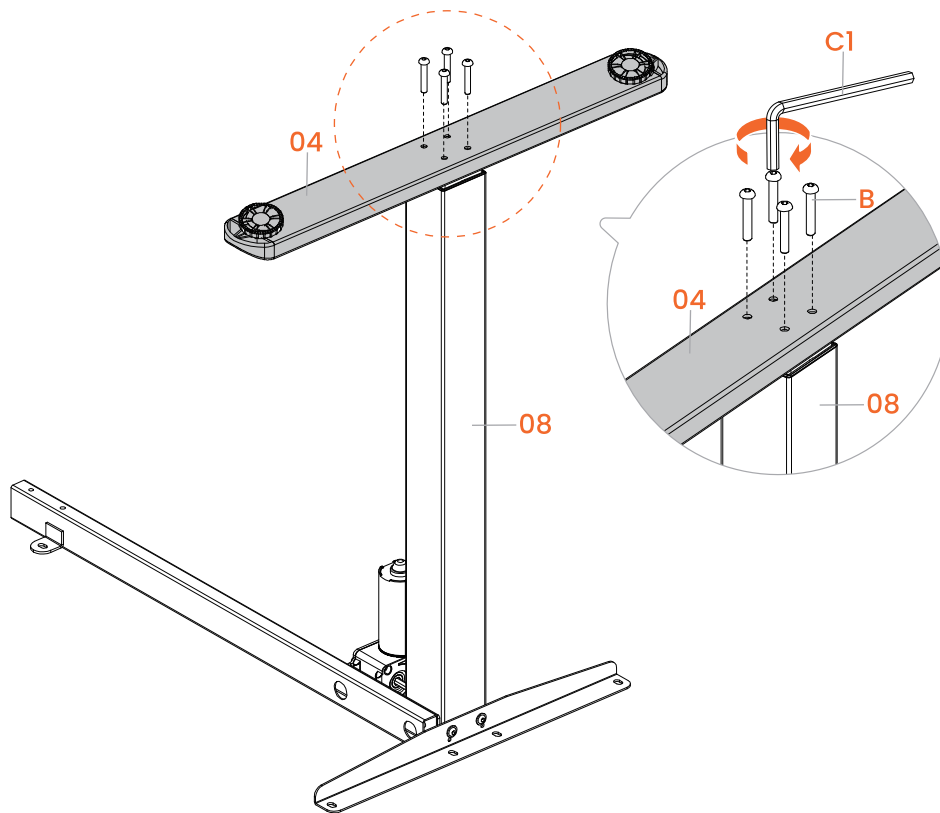


Assemble the middle leg section (using the leg with a small base already attached).

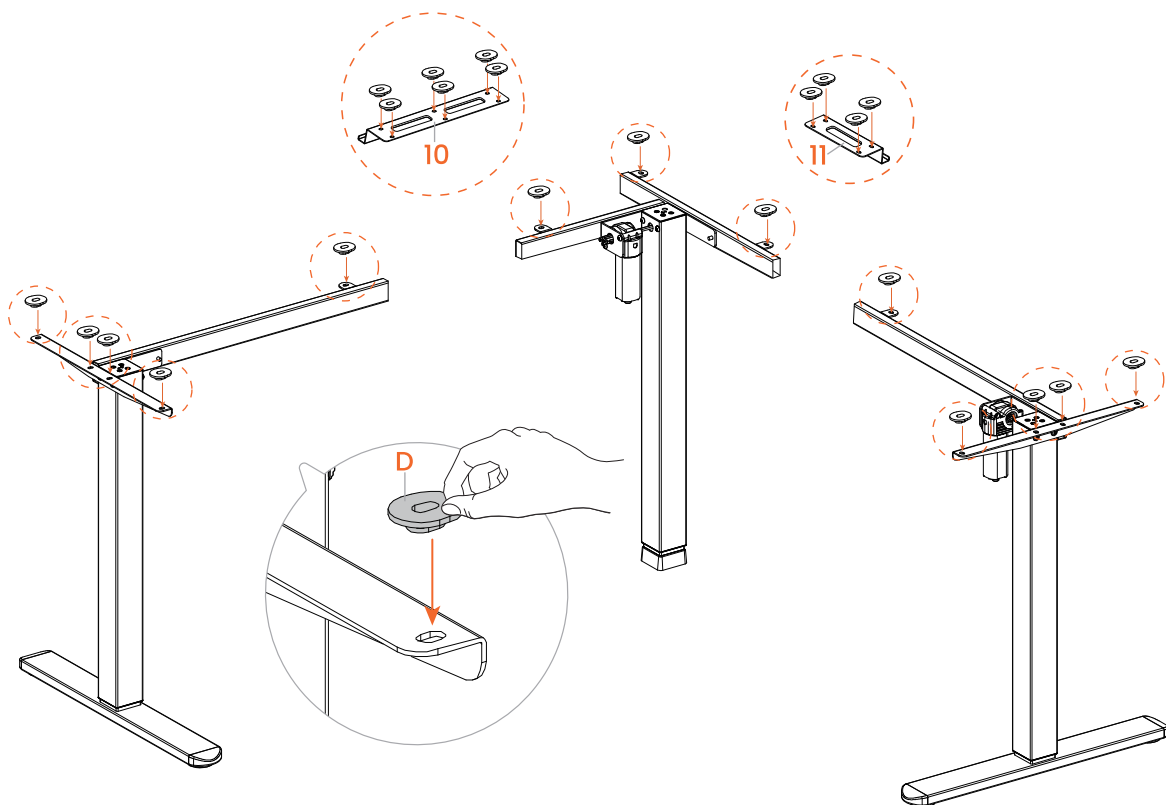


Assemble the right leg section (using the leg with a motor but no leg base attached).



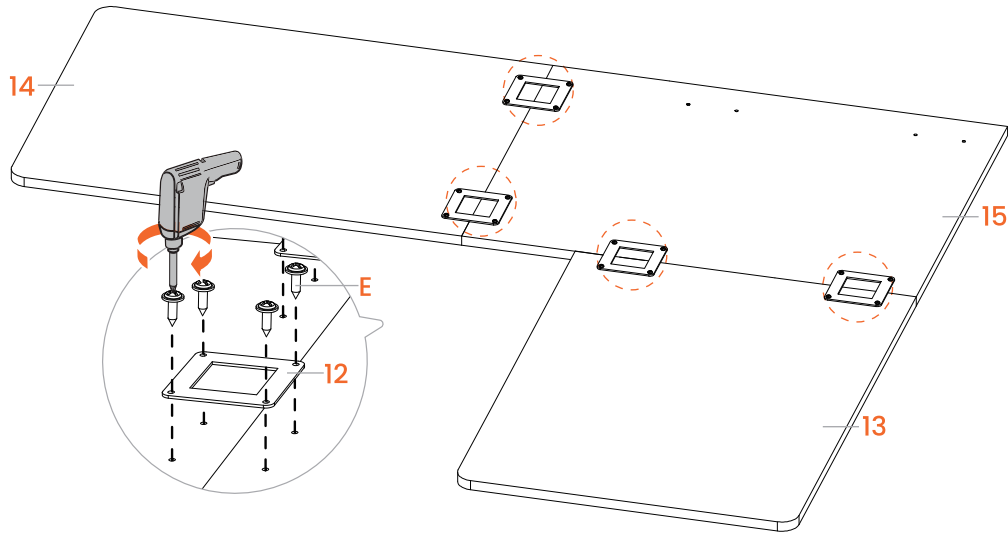


Attach the rubber pads to the leg sections and crossbar connectors.



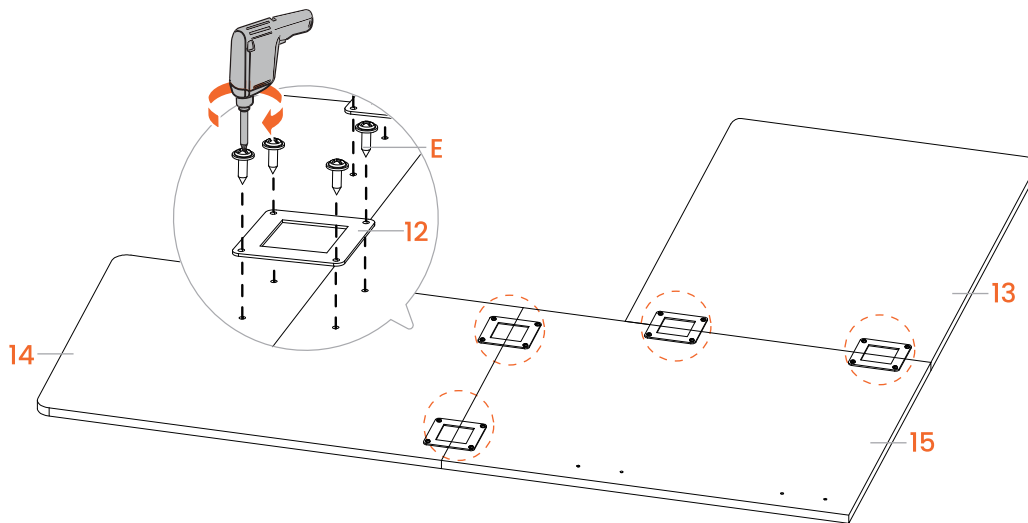
Step 2 Assembling the Desktop

Option A: Long Side of Desk on Your Right



HEAVY! You may need assistance with this step.

Option B: Long Side of Desk on Your Left



HEAVY! You may need assistance with this step.

Step 3

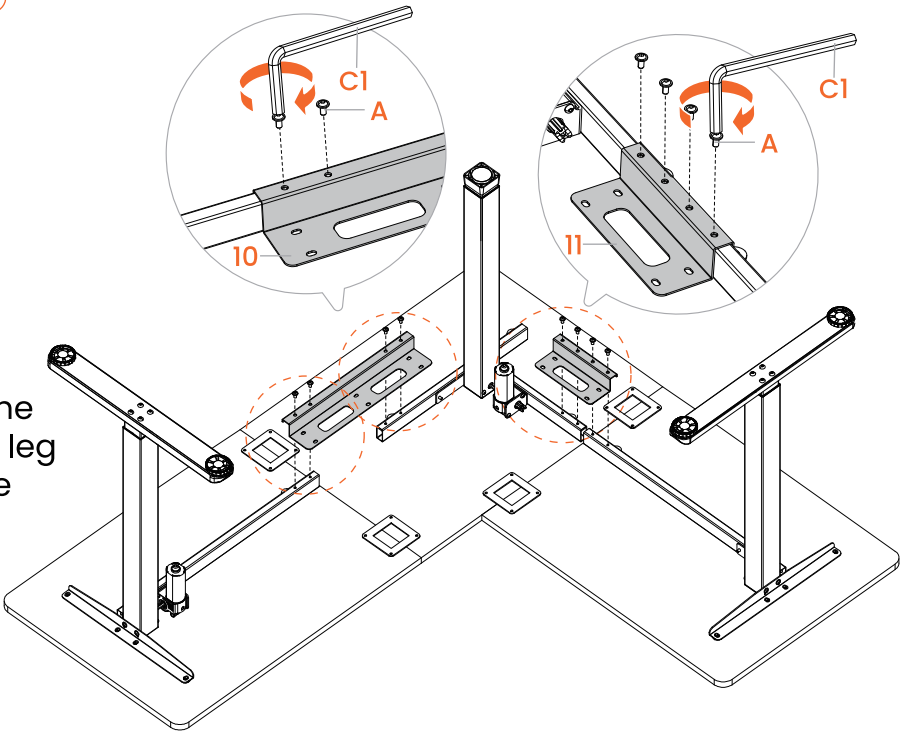
Attaching the Frame to the Desktop

Option A: Long Side of Desk on Your Right

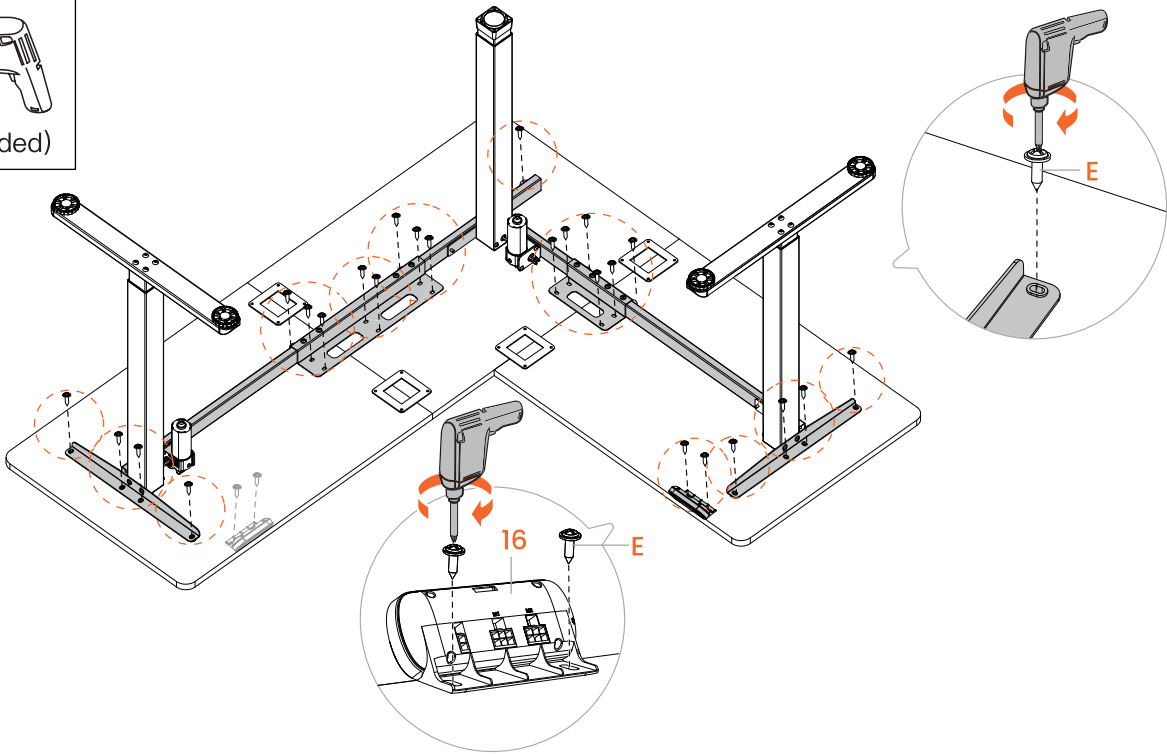


HEAVY! You may need assistance with this step.

Place the leg sections on the desktop. Then connect the leg sections together using the crossbar connectors.



Secure the frame to the desktop. Then attach the controller to the desktop. You can attach the controller on the left or right side.

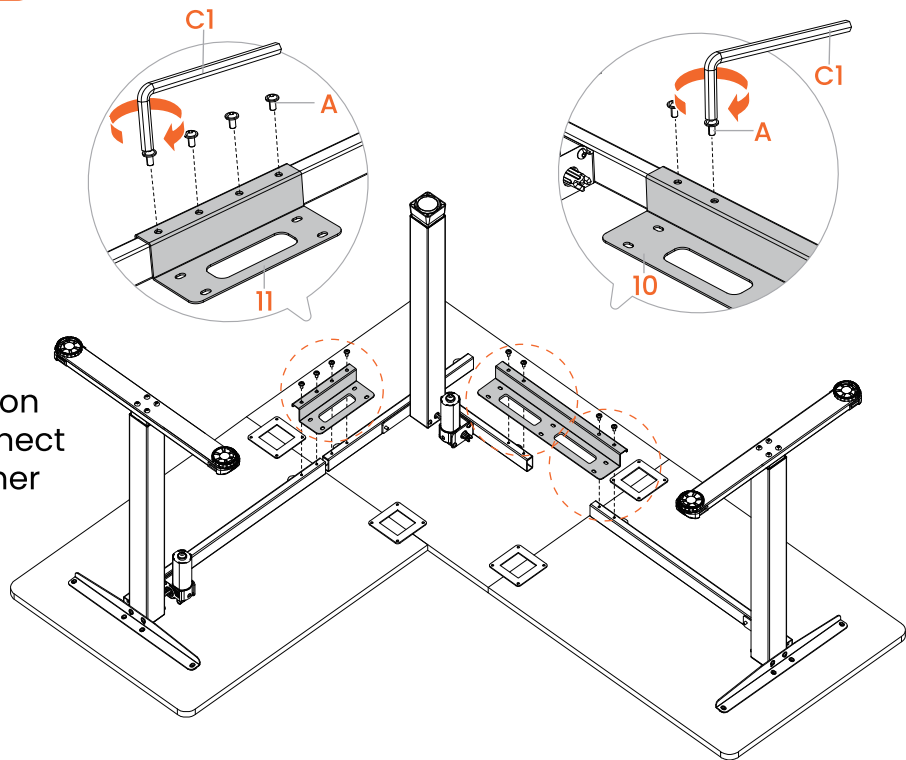


Option B: Long Side of Desk on Your Left

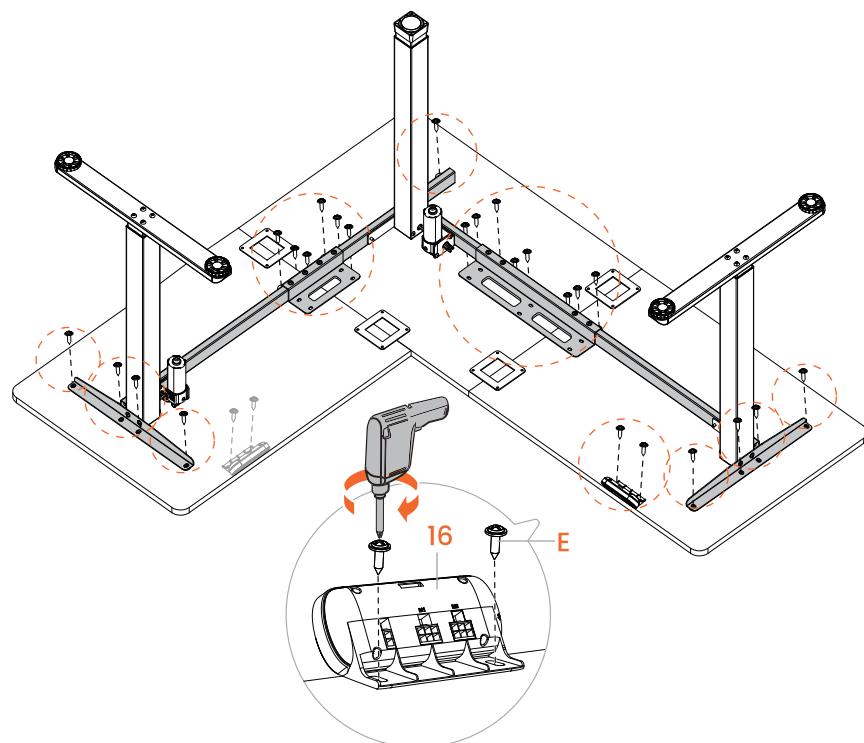
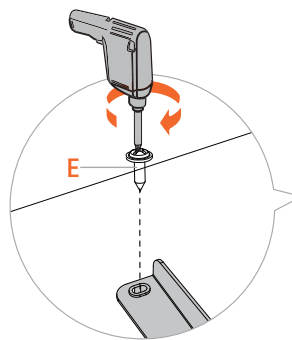


HEAVY! You may need assistance with this step.

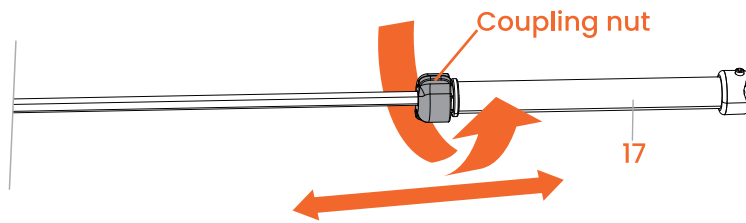
Place the leg sections on the desktop. Then connect the leg sections together using the crossbar connectors.



Secure the frame to the desktop. Then attach the controller to the desktop. You can attach the controller on the left or right side.



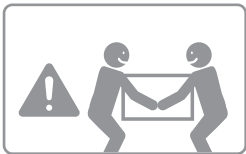
Step 4 Attaching the Transmission Rod



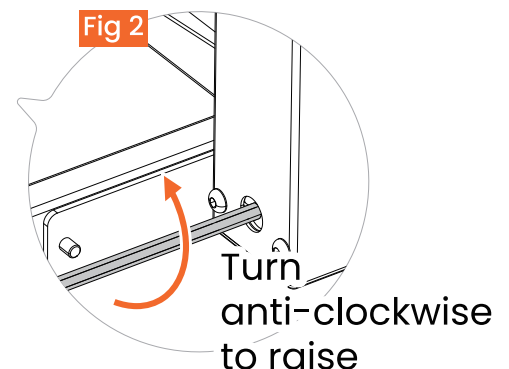
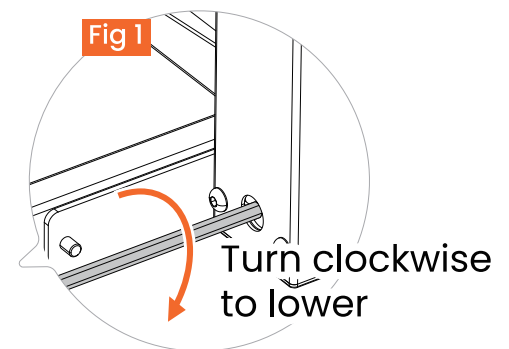
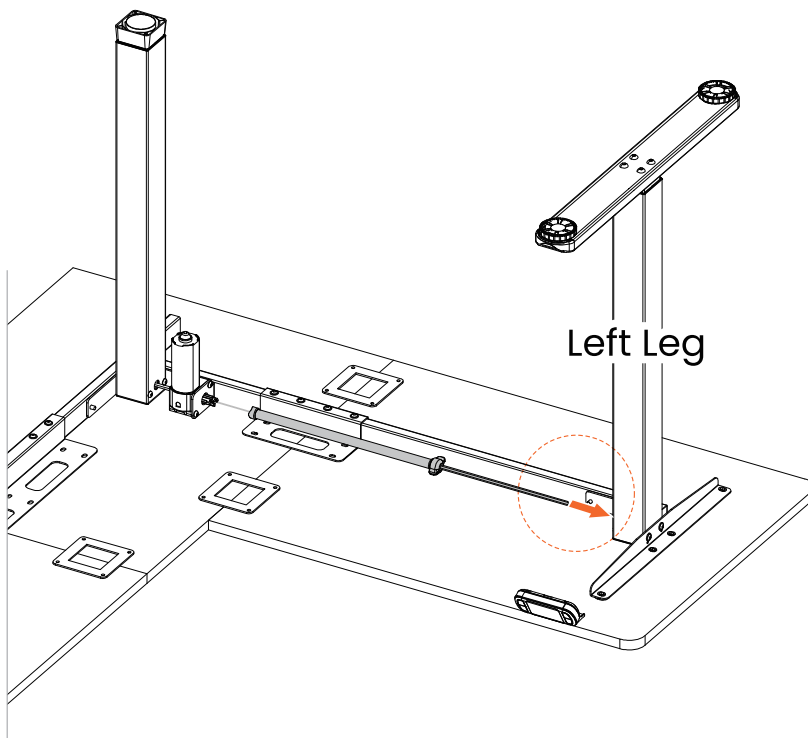
Loosen the coupling nut.

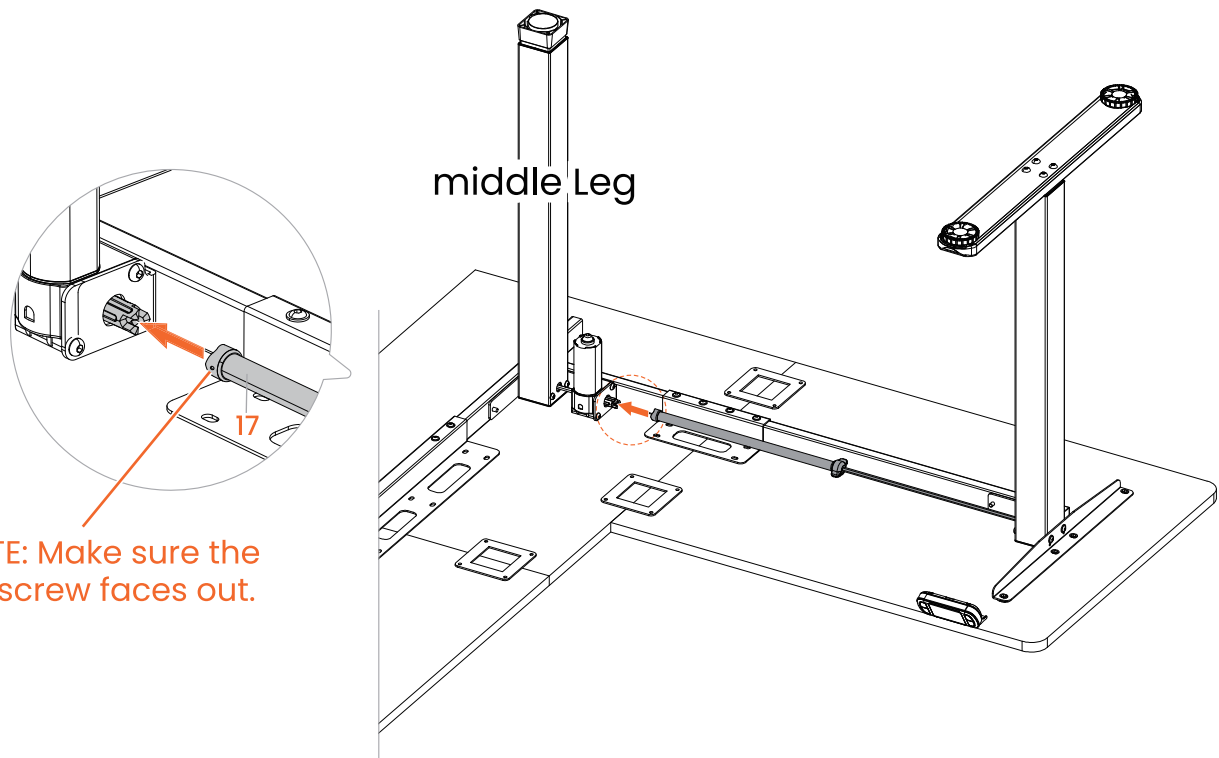
Setting the Desk Legs to the Same Height

Before attaching the transmission rod, measure the heights of the left and middle desk legs to see if they are set at the same level. If not, insert the transmission rod into the hole in the left leg. Turn the rod to adjust the left leg so it's level with the middle leg. Turn the rod clockwise to lower the left leg or anti-clockwise to raise it.

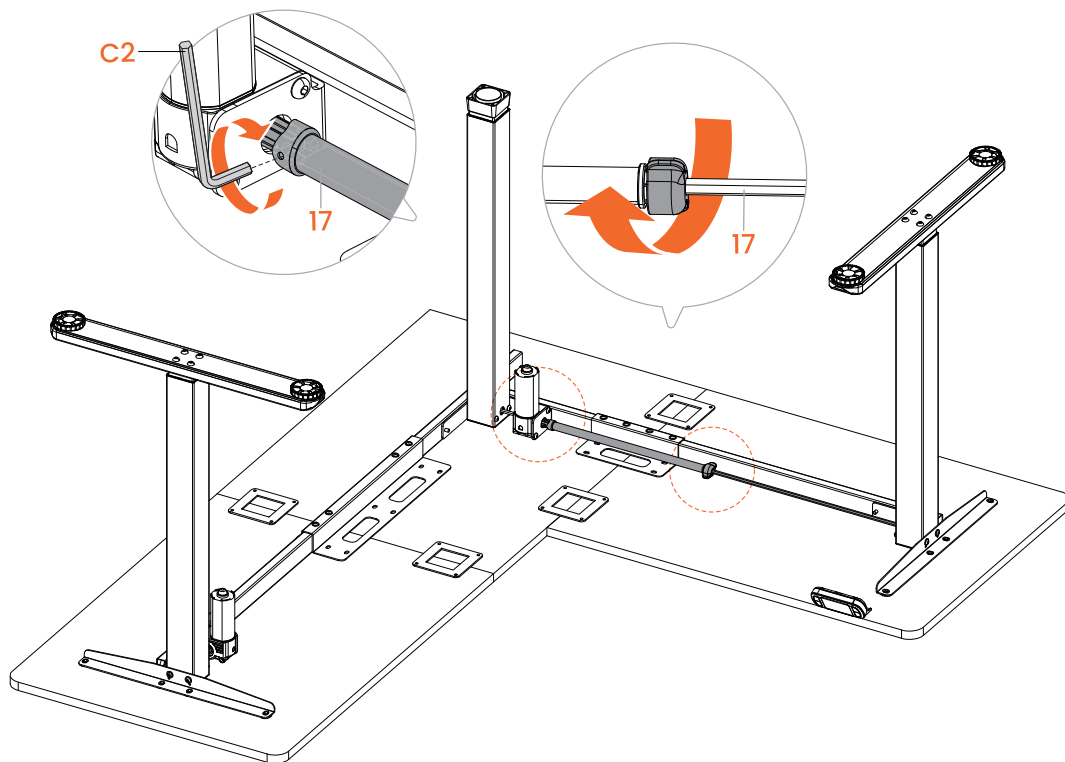


HEAVY! You may need assistance with this step.





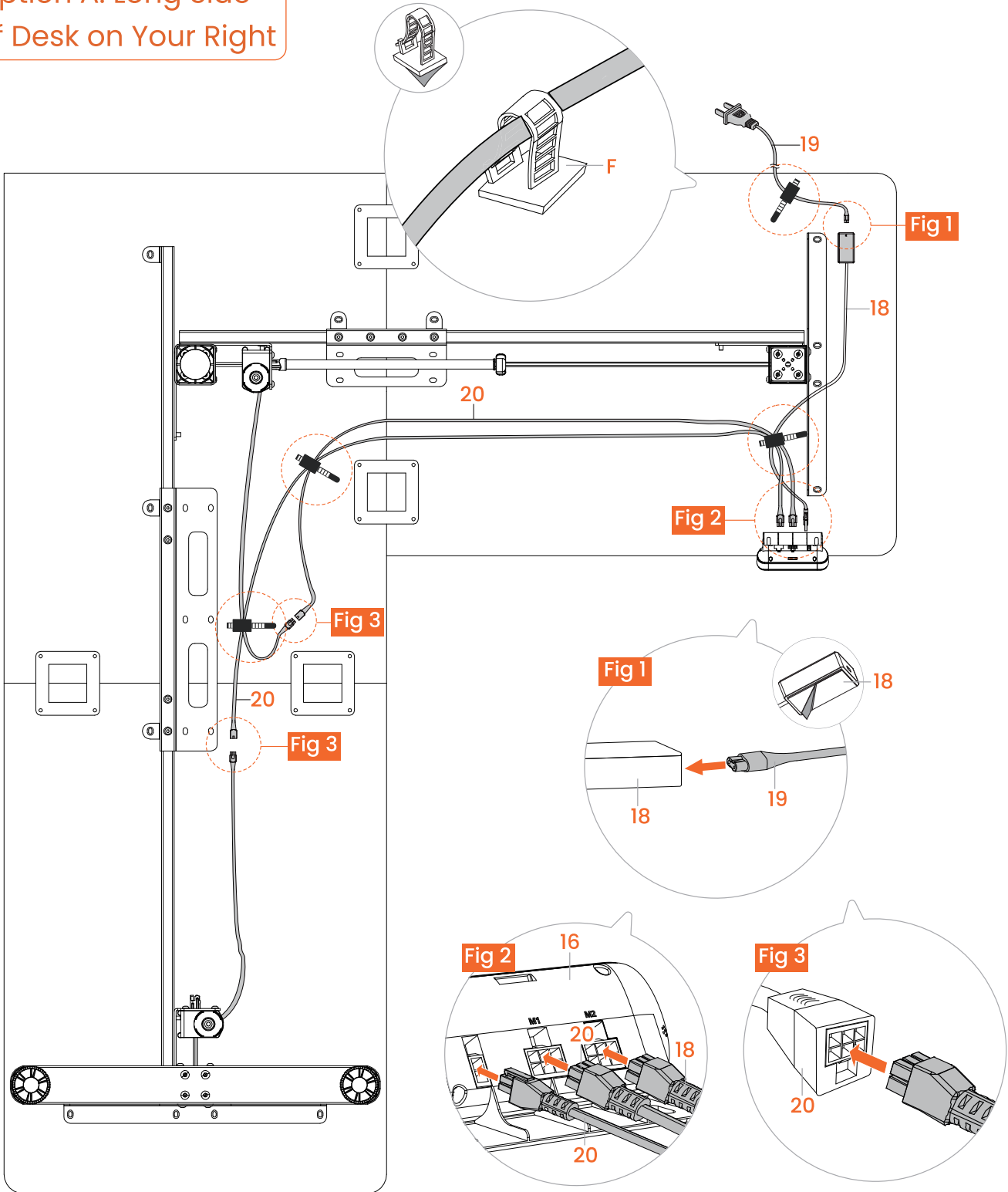
Ensure the transmission rod is properly inserted into the hole in the left leg. Smoothly connect the other end of the rod to the end of the motor drive shaft on the middle leg.



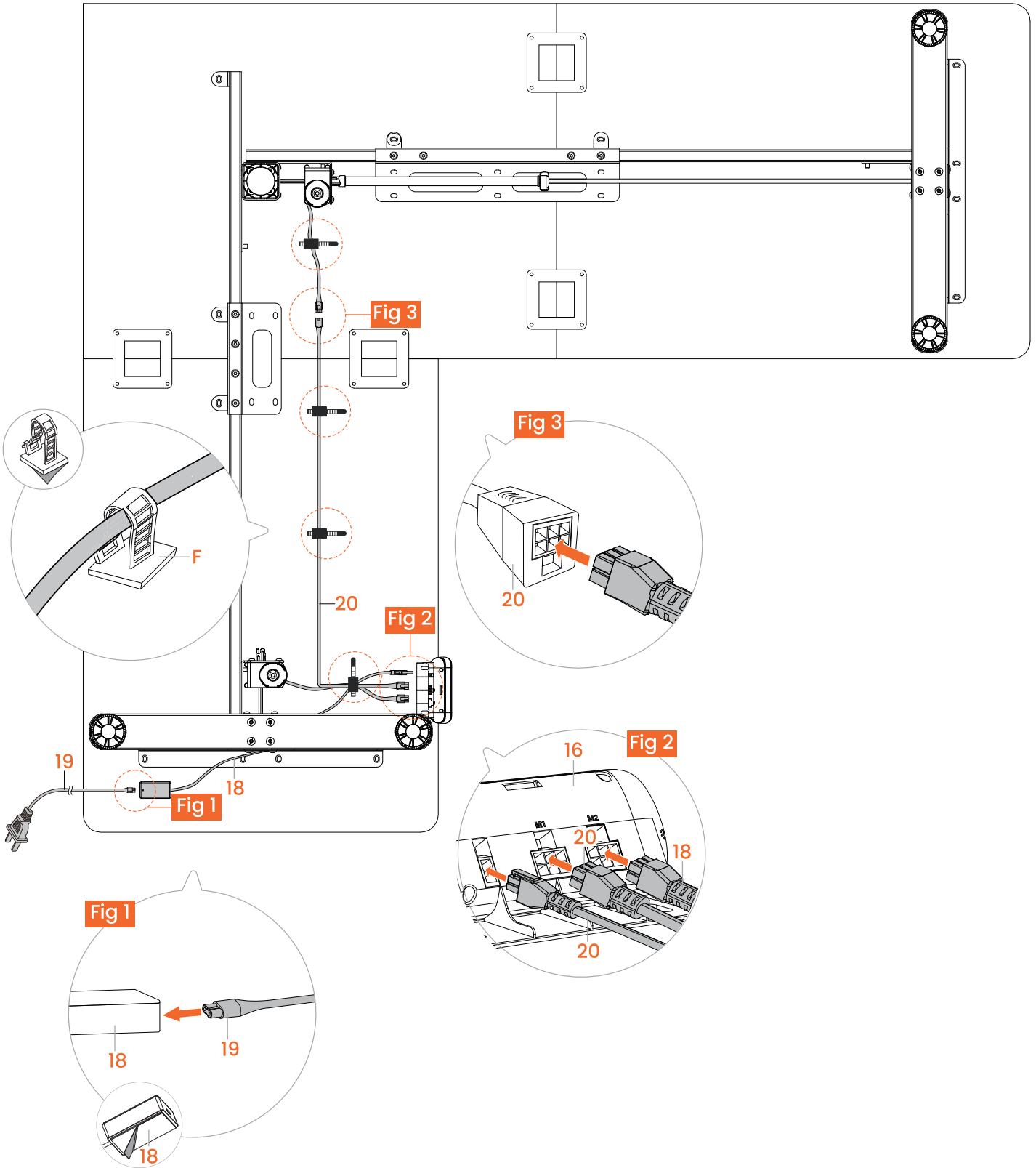
Secure the transmission rod to the motor drive shaft by turning the set screw clockwise. Then tighten the coupling nut to fine-tune transmission rod fit.

Step 5 Connecting the Cables

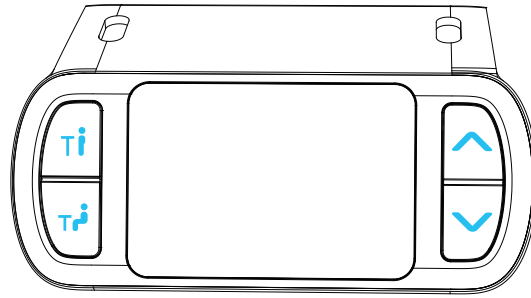
Option A: Long Side of Desk on Your Right




Option B: Long Side
of Desk on Your Left



Using the Controller







- **Raise the Desk**

Press the  button to raise the desk continuously until it reaches the highest position or the button is released.


- **Lower the Desk**

Press the  button to lower the desk continuously until it reaches the lowest position or the button is released.

- **Save Current Height Setting**

Press and hold the  or  button for 3 seconds to save the current height setting as the standing height or sitting height. Short-press the  or  button, and the desk will move to the height that was previously set for that button.








- **Reset**

Press and hold the  button for 5 seconds, and the screen will show 'RST.' Continue holding until the desk goes down to its lowest level and comes back up slightly. It will make a beep sound, and reset is complete.






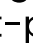

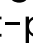
- **Main Screen**

The main screen displays current date, time, and temperature.

- **Clock Settings Menu**

Press and hold the  and  buttons together for 3 seconds to enter the clock settings menu. Short-press the  button to cycle through the settings (Year – Month – Day – Hour – Minute – Temperature Unit – Sedentary Reminder). Short-press the  or  button to adjust the settings. Press and hold the  and  buttons again to save the changes. If there is no button-press for 5 seconds, the clock settings menu will be exited automatically.

• System Settings Menu

Press and hold the  and  buttons together for 3 seconds to enter the system settings menu. Short-press the  or  button to navigate through the menu. Short-press the  button to select the settings; then short-press the  or  button to adjust the settings. Short-press the  button again to save the changes and return to the system settings menu. If there is no button-press for 5 seconds, the system settings menu will be exited automatically.

Menu Options	Display	Description
Display Height Units	P00 Default: 0	0: Metric (cm) 1: Imperial (inch)
Collision Detection Sensitivity (Raise the Desk)	P04 Default: 05	Range: 0–10 0: off; 1–10: highest to lowest
Collision Detection Sensitivity (Lower the Desk)	P05 Default: 05	Range: 0–10 0: off; 1–10: highest to lowest

Protection Mode Error Codes

Hot	Overheating Protection: When the motor has been working continuously for too long (5 meters total travel distance in 5 minutes), it will stop operating to prevent overheating. Wait for at least 18 minutes before making any further height adjustment. If it still doesn't work after 18 minutes, please power off the desk and restart.
E10	Sensor Malfunction Warning: Motor safety sensor can't be detected. Power off, check the cable connection between the motor and controller, and power back on again.
E20	Overloading Protection: Max load exceeded. Power off, take the things off the desk, power back on, and try again.
E02	Operation Status Warning: The desk stops moving if vibration, impact, or incline are detected. If this detection is incorrect, follow the reset instructions before continuing use.
E32	Overvoltage Protection: Input voltage too high. If the correct AC adapter is being used, power off the desk, check the connection between power and the controller, and power on again.
E31	Undervoltage Protection: Input voltage too low. If the correct AC adapter is being used, power off the desk, check the connection between power and the controller, and power on again.



Complete Flexibility. Total Freedom.

Thank you for choosing this product. We strive to provide you with the best quality products and service in the industry. Should you have any issues, please don't hesitate to contact us.

Technical Support

(US/CA) 1-800-651-9525 Mon-Fri, 8am-8pm (CST)

(UK) 44-808-196-3875 Mon-Fri, 2pm-10pm (UTC)

Other Info

support@ergear.com

Website

<https://ergear.com>