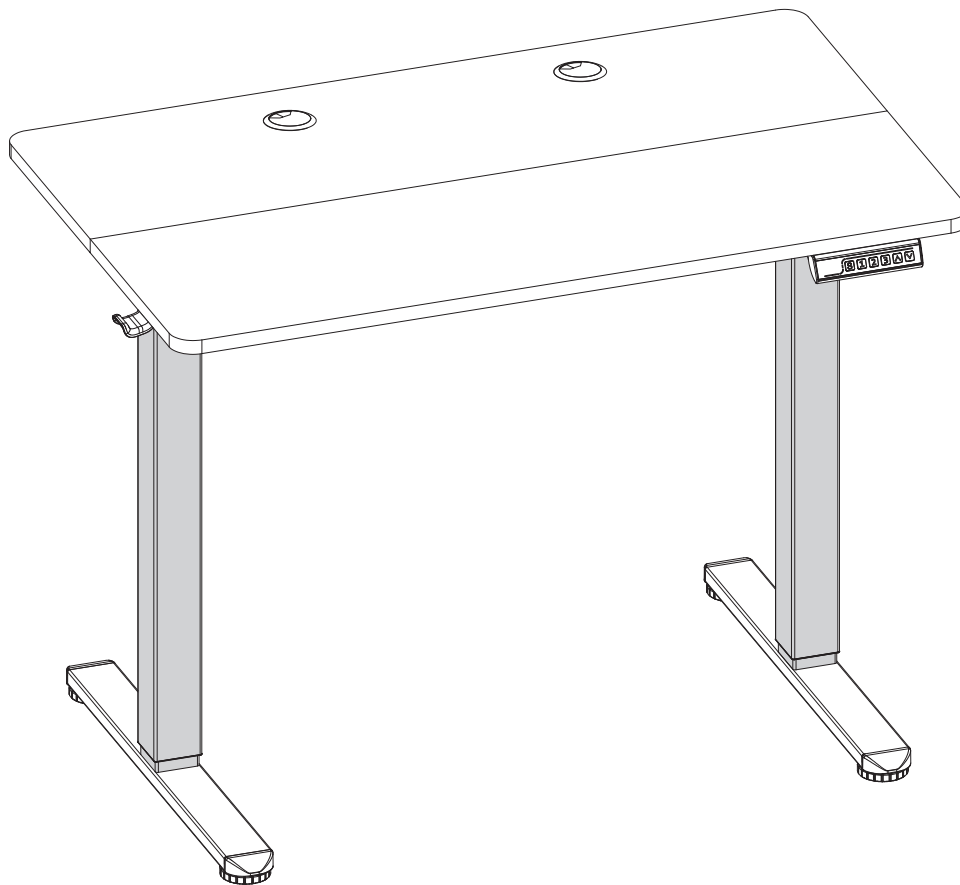




Electric Standing Desk

Instruction Manual

EGESD4B / EGESD4V / EGESD4N



Technical Support:

(US/CA) 1-800-651-9525 Mon-Fri, 8am-8pm (CST)

(UK) 44-808-196-3875 Mon-Fri, 2pm-10pm (UTC)

Other Info: support@ergear.com

Website: <https://ergear.com>

Specifications

Height Adjustment Range
28.3"–46.5" (72–118cm)



Power Input
100V–240V



Max. Speed
20mm/s



Operating Noise
<55dB



Max. Load
176 lbs / 80kg

Step 1 Supplied Parts and Hardware

01 x1



Crossbar

02 x1



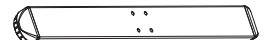
Left Desk Leg

03 x1



Right Desk Leg

04 x2



Leg Base

A x4



Bolt
M6 x 11mm

B x8



Bolt
M6 x 35mm

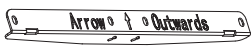
C x1



Large Allen Wrench
3/16" (5mm)

Step 2 Supplied Parts and Hardware

05 x2



Side Plate

06 x1



Transmission Rod

A x4



Bolt
M6 x 11mm

C x1



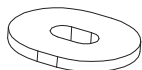
Large Allen Wrench
3/16" (5mm)

D x1



Small Allen Wrench
5/64" (2mm)

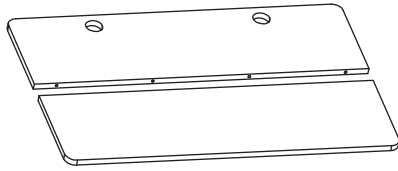
E x10



Rubber Pad

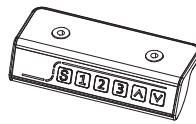
Step 3 Supplied Parts and Hardware

07 x1



Desktop

08 x1



Controller

F x20



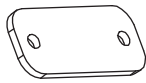
Screw
M5 x 16mm

G x4



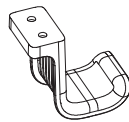
Wood Dowel Pin

H x2



Desktop Panel Connector

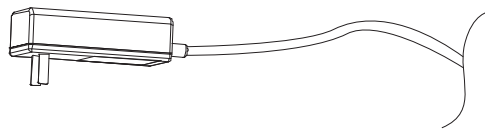
I x2



Headset Hook

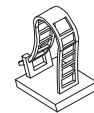
Step 4 Supplied Parts and Hardware

09 x1



AC Adapter

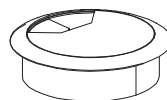
J x2



Cable Clip

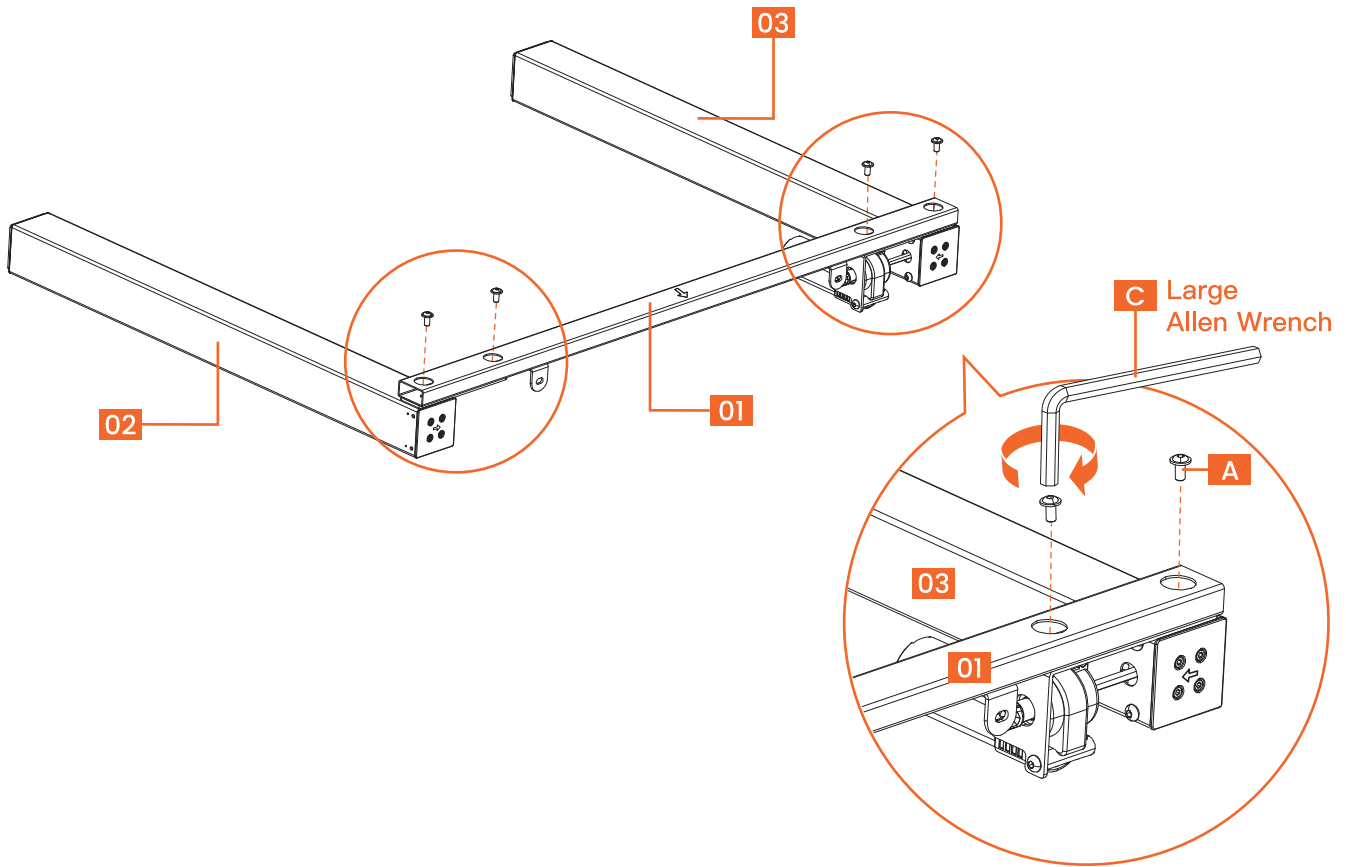
Step 5 Supplied Parts and Hardware

K x2

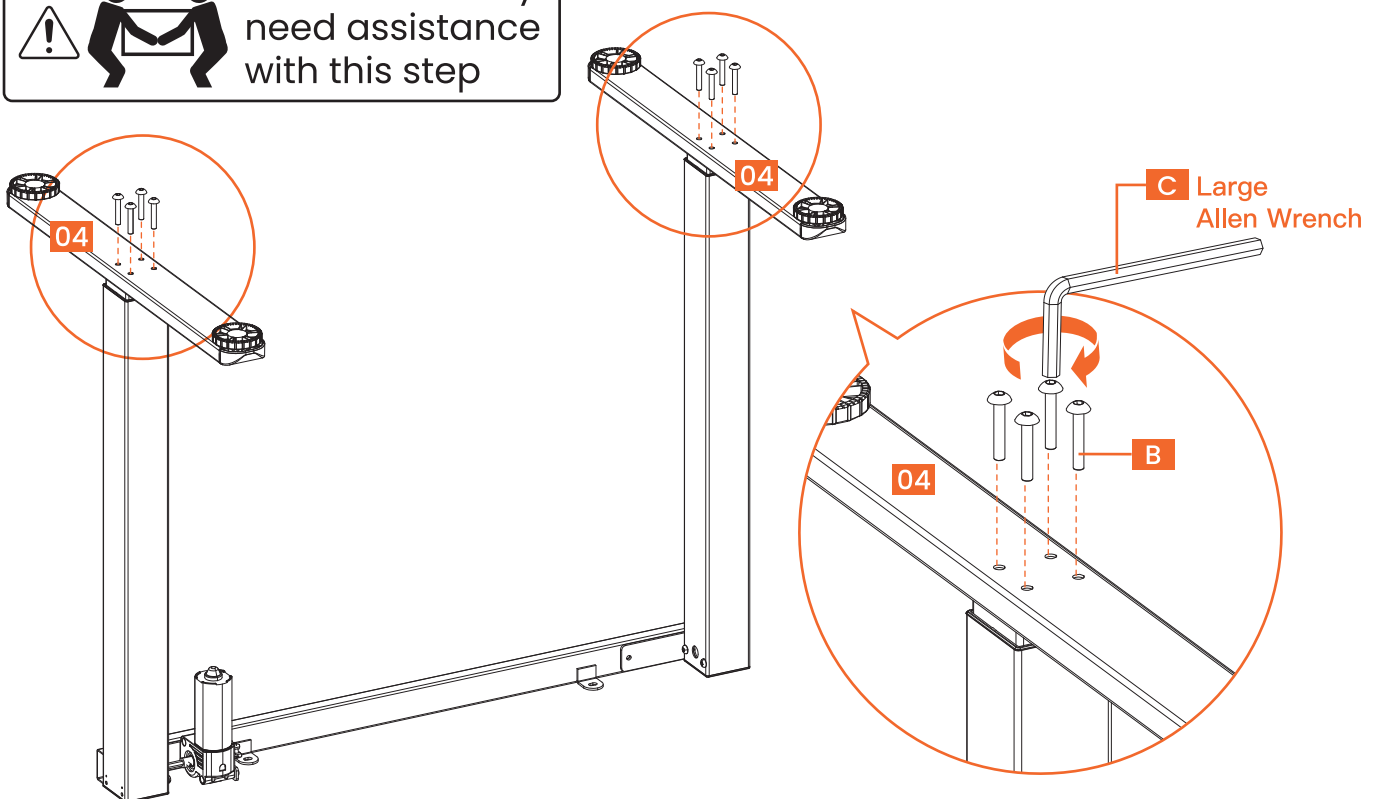


Cable Hole Cover

Step 1 Assembling and Connecting the Desk Legs

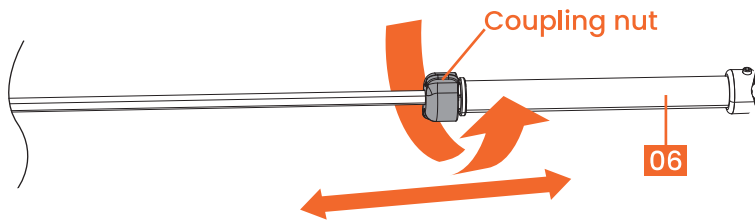
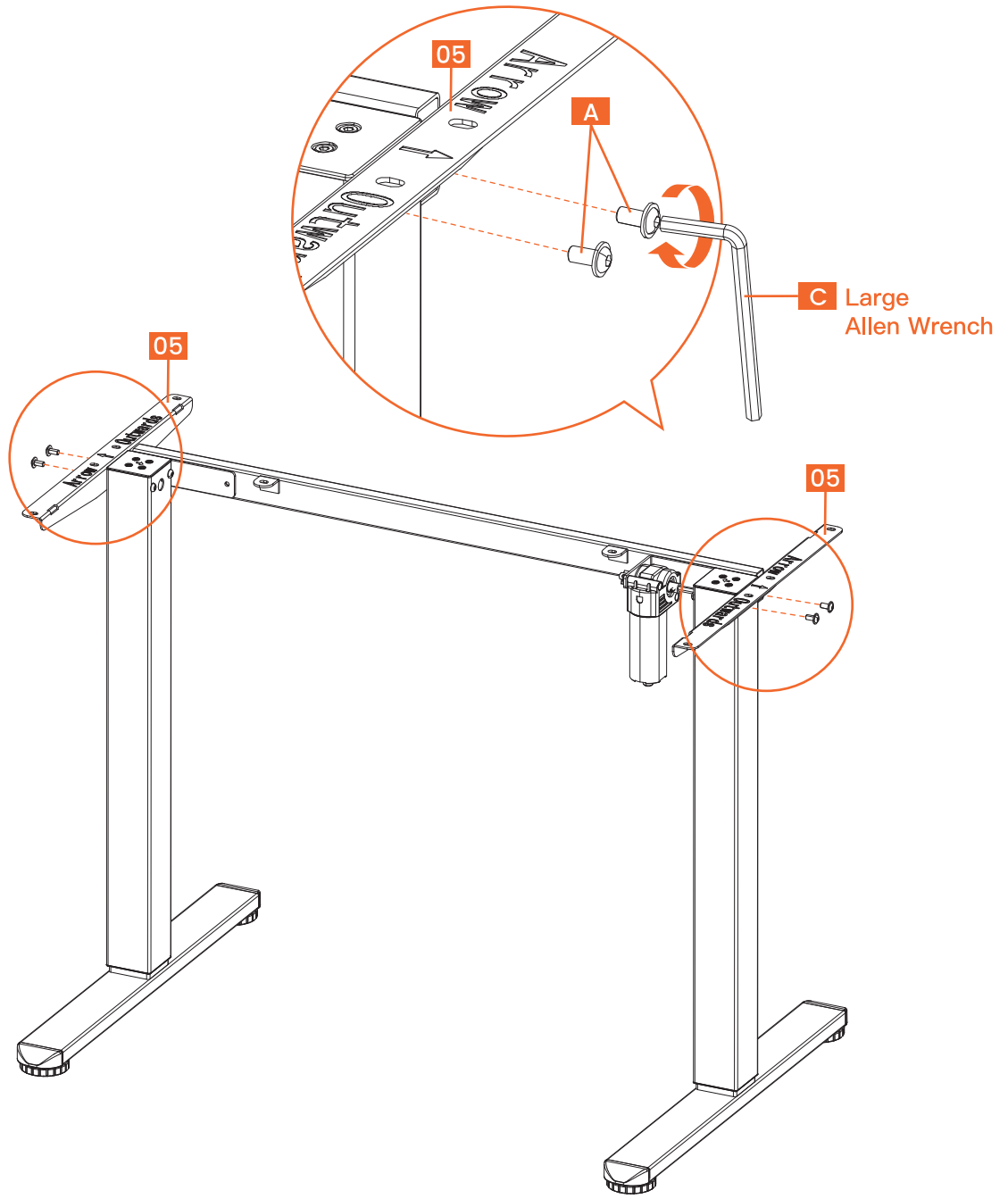


 **HEAVY!** You may need assistance with this step

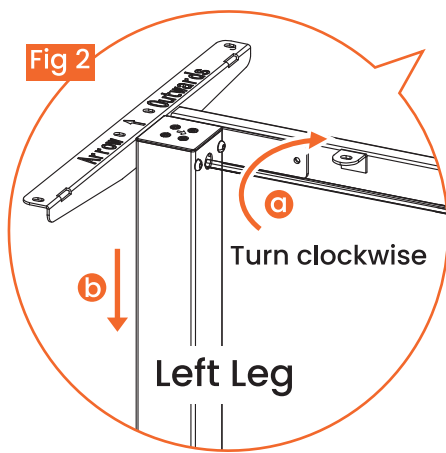
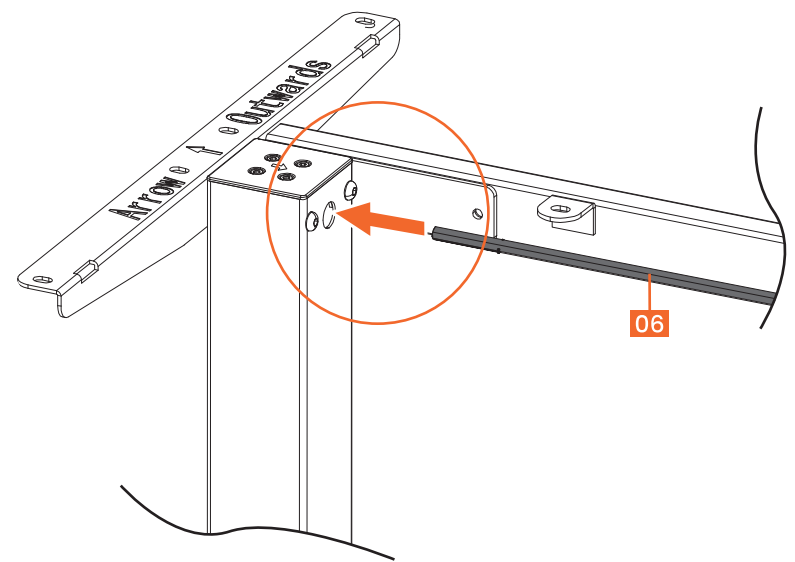
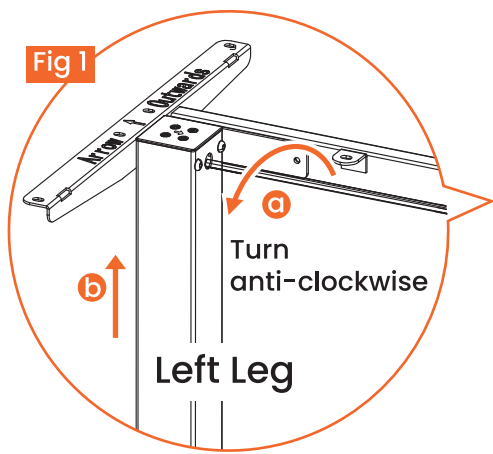


Step 2

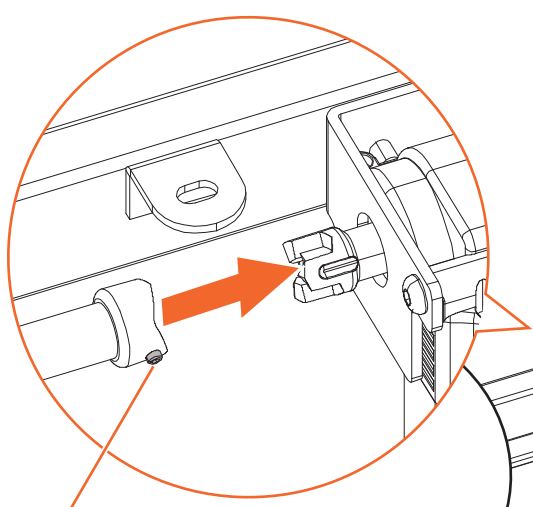
Attaching the Side Plates and the Transmission Rod



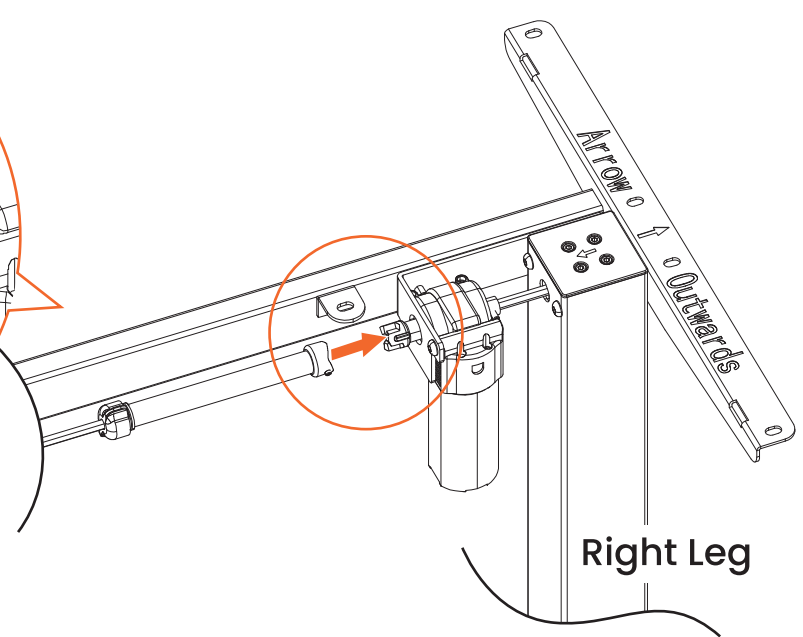
Loosen the coupling nut.



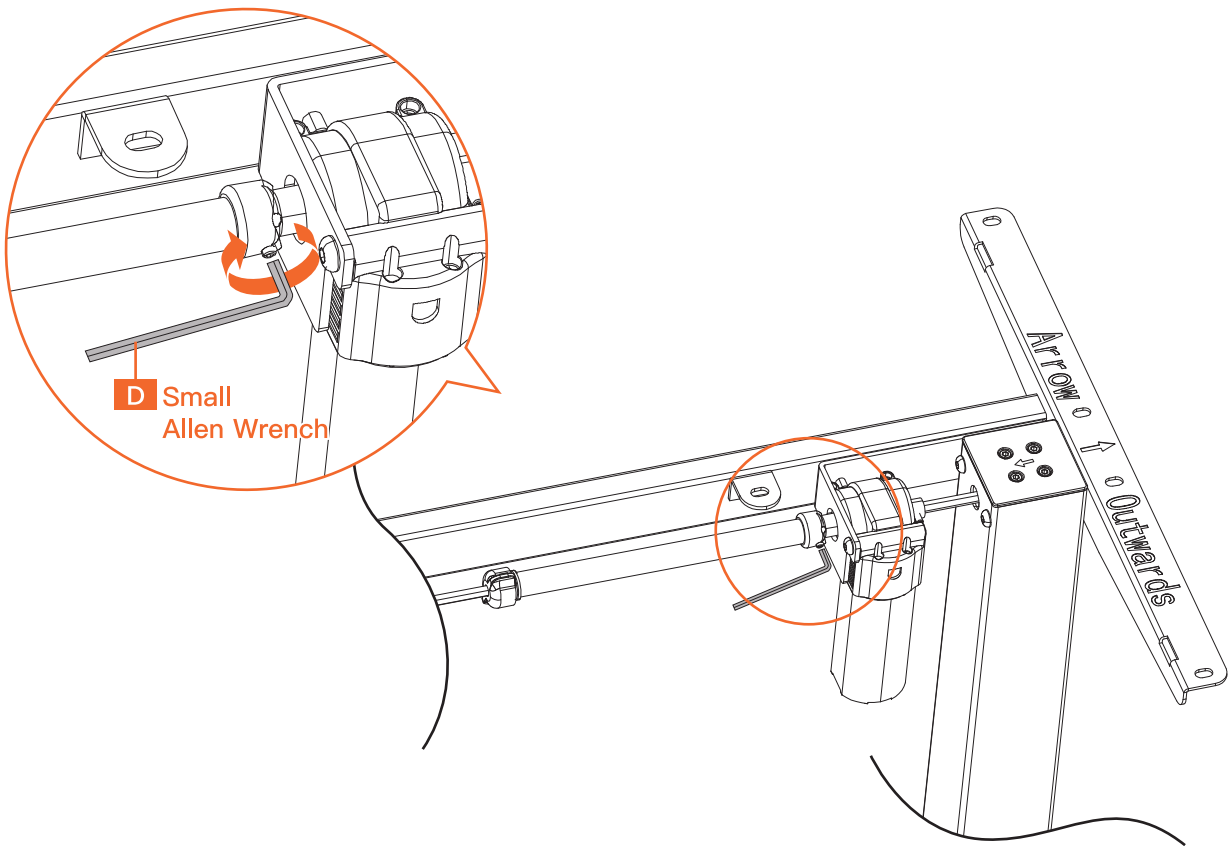
Before attaching the transmission rod, measure the heights of the two desk legs to see if they are set at the same level. If not, insert the transmission rod into the hole in the left leg. Turn the rod to adjust the left leg so it's level with the right leg. Turn the rod clockwise to lower the left leg or anti-clockwise to raise it.



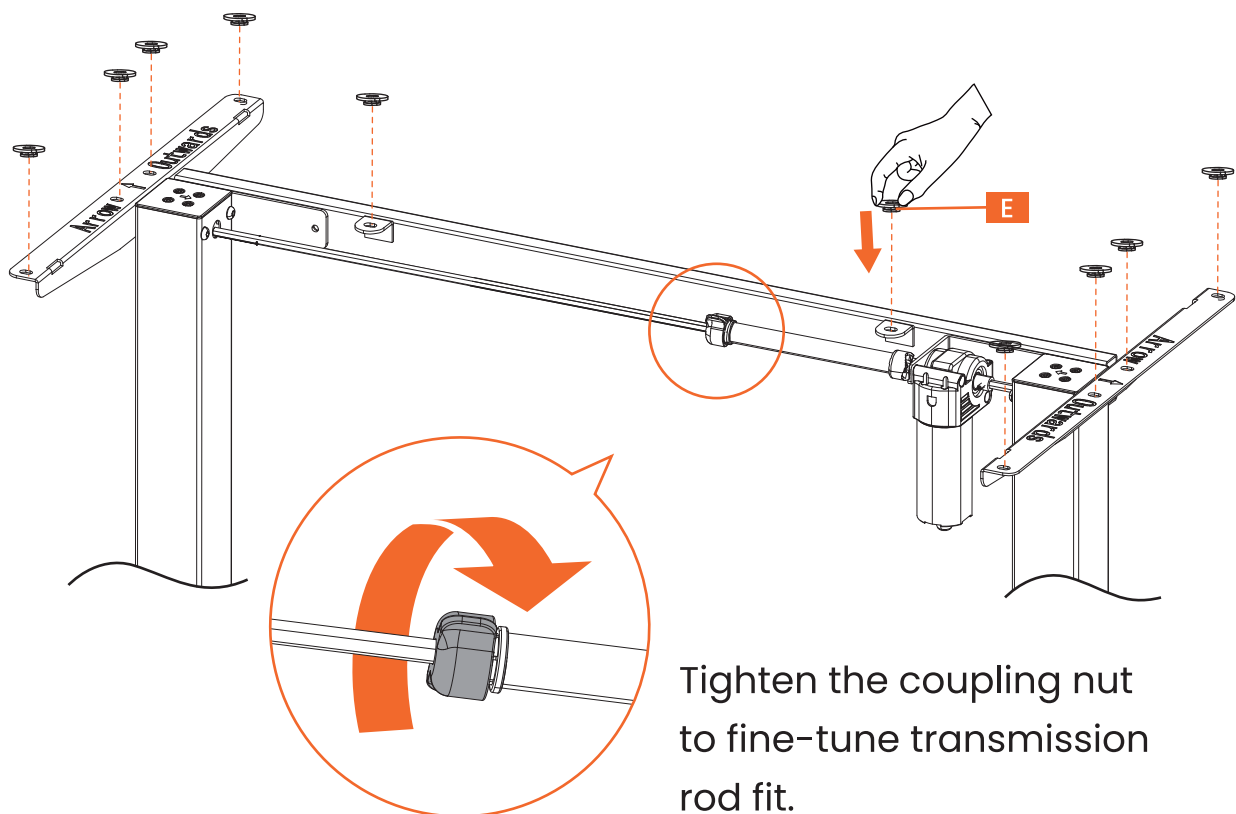
NOTE: Make sure the set screw faces out.



Ensure the transmission rod is properly inserted into the hole in the left leg. Smoothly connect the other end of the rod to the end of the motor drive shaft on the right leg.



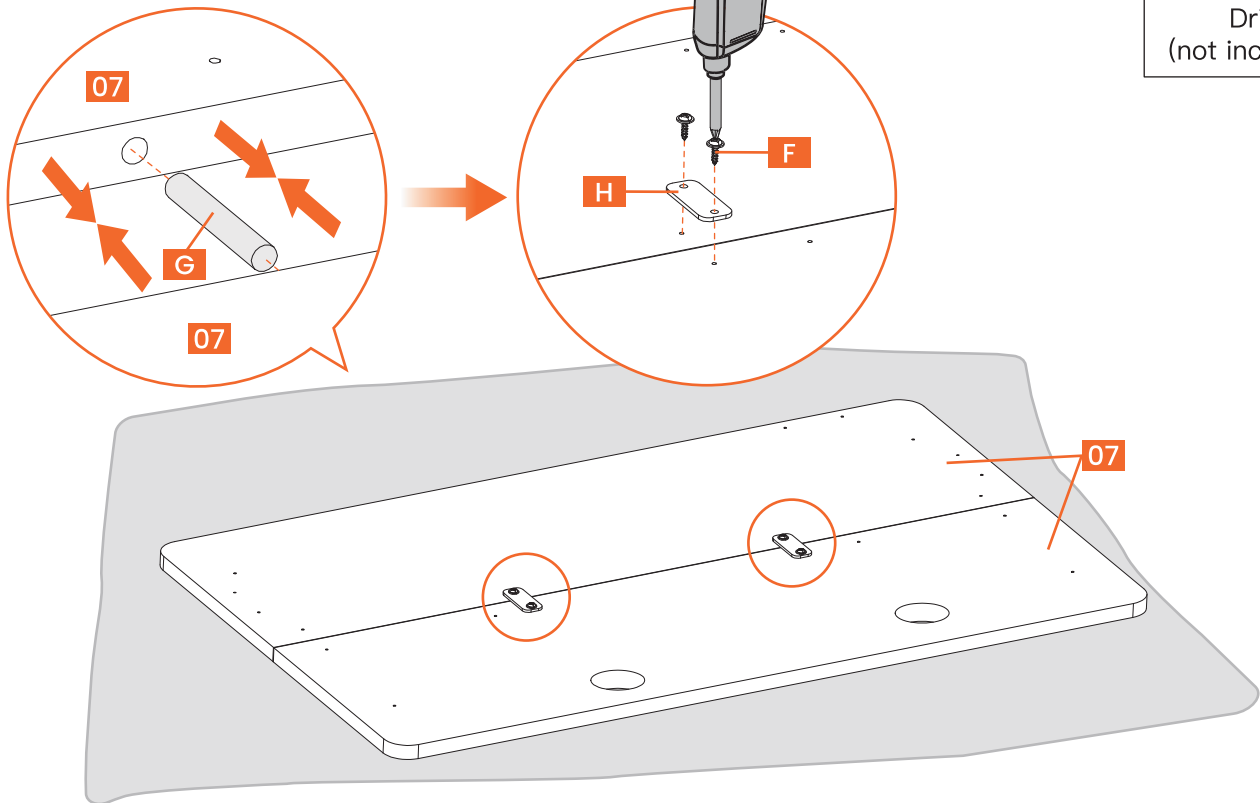
Secure the transmission rod to the motor drive shaft by turning the set screw clockwise.



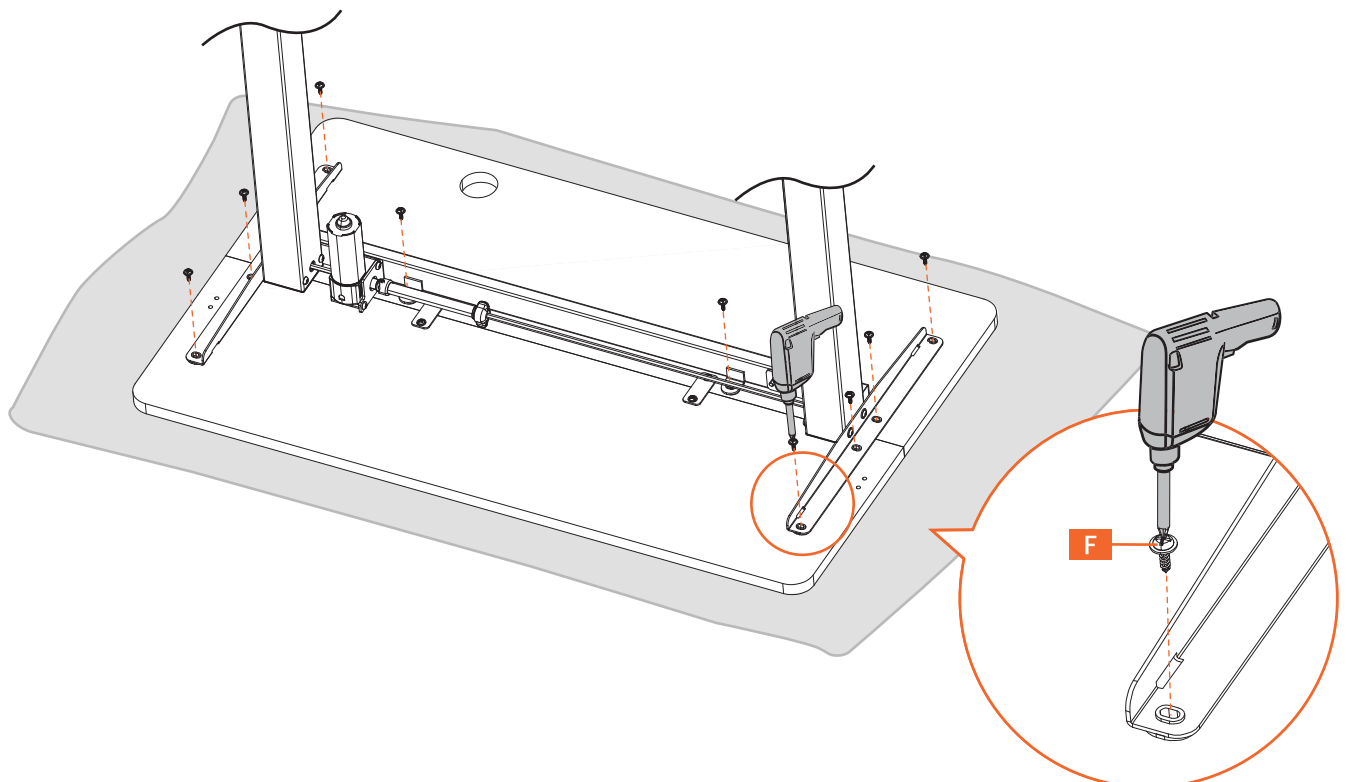
Tighten the coupling nut to fine-tune transmission rod fit.

Step 3 Assembling and Attaching the Desktop

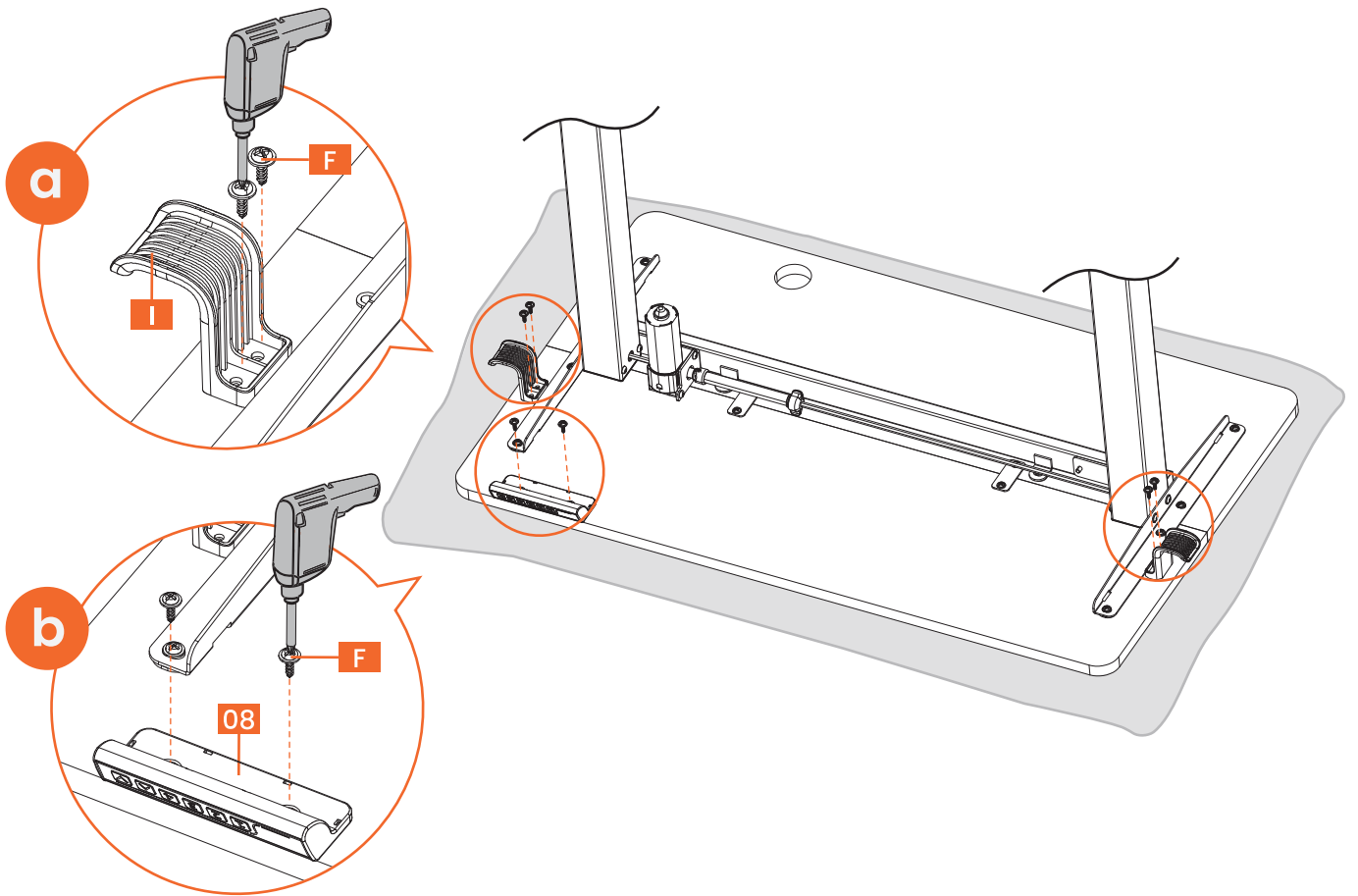
Assemble the desktop.



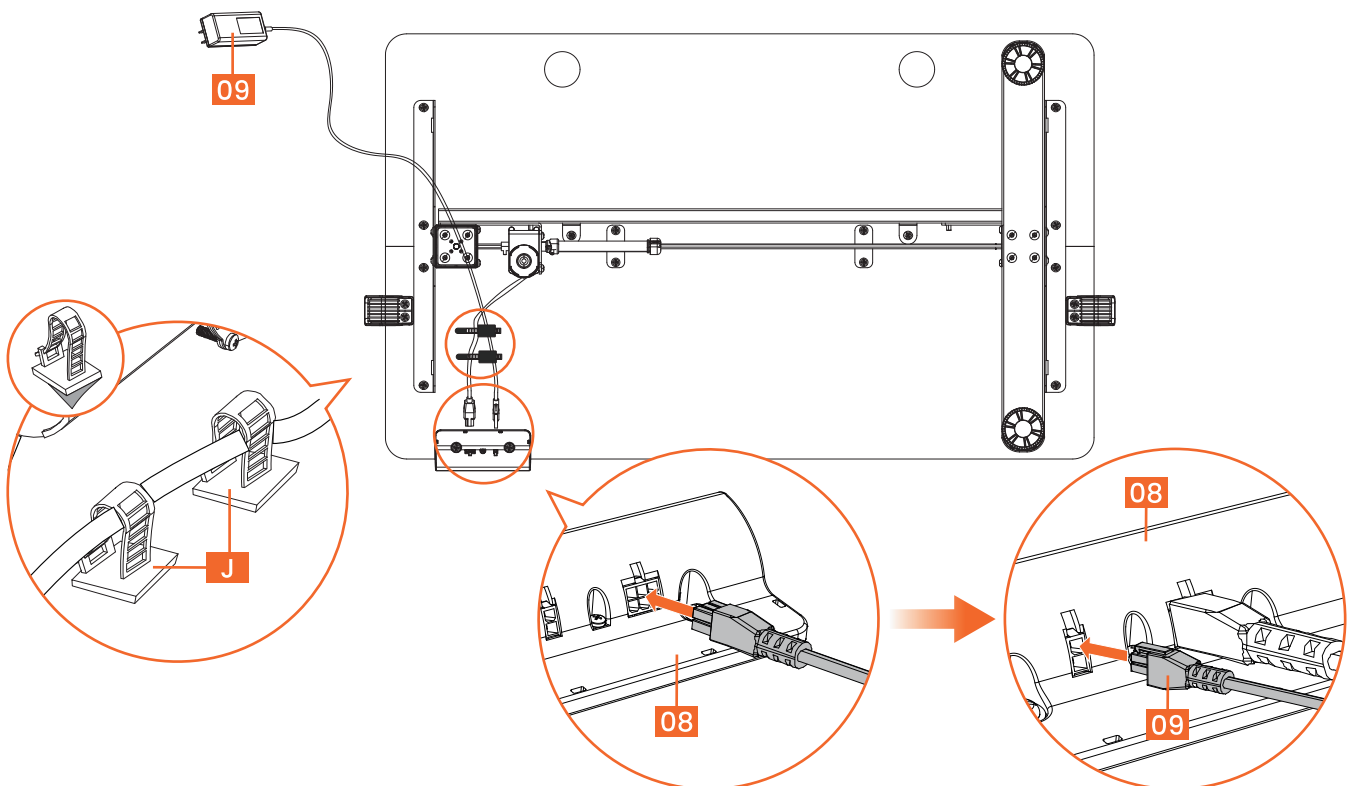
Attach the desktop to the frame.



Attach the controller and hooks to the desktop.

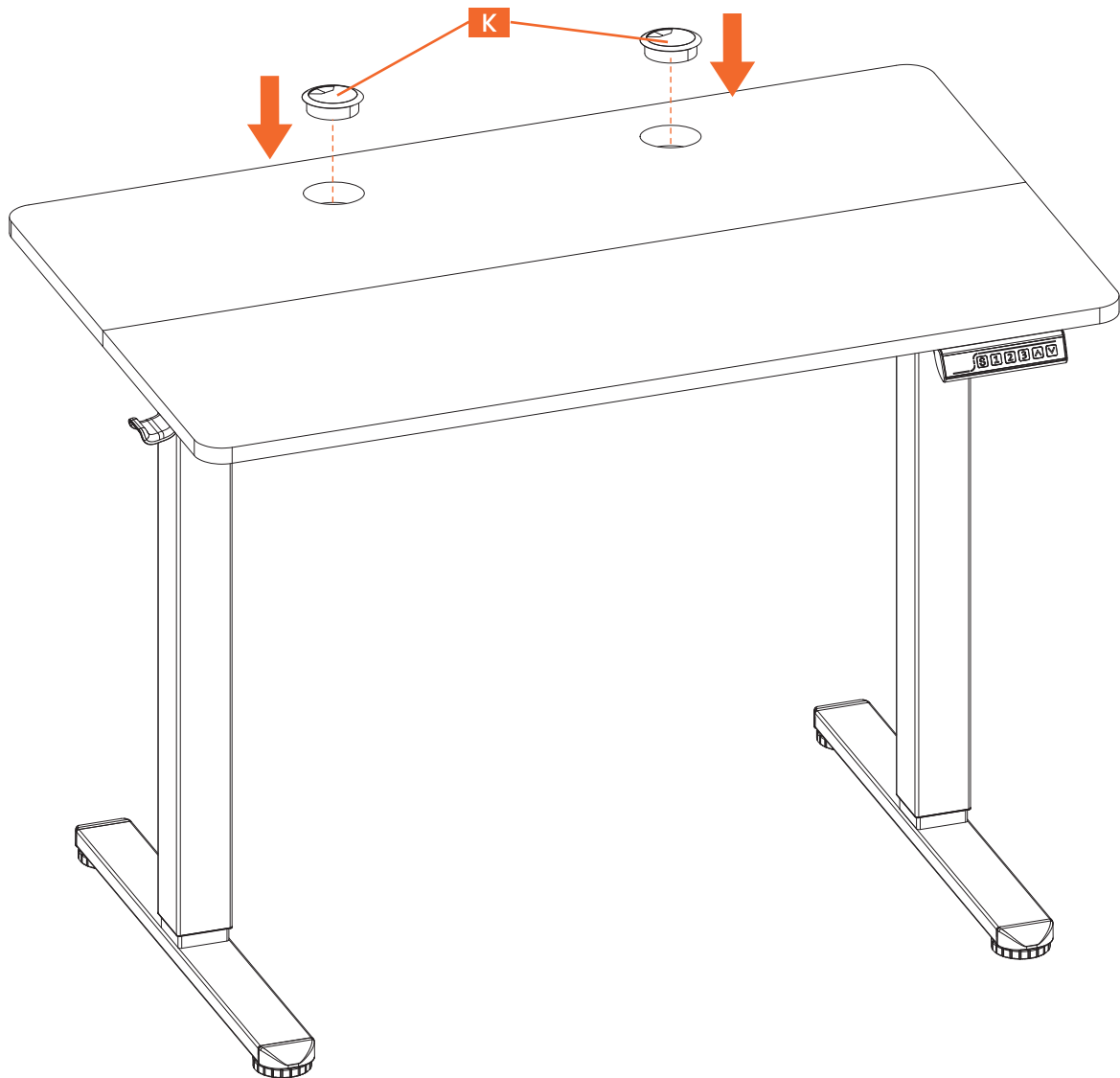


Step 4 Connecting the Cables

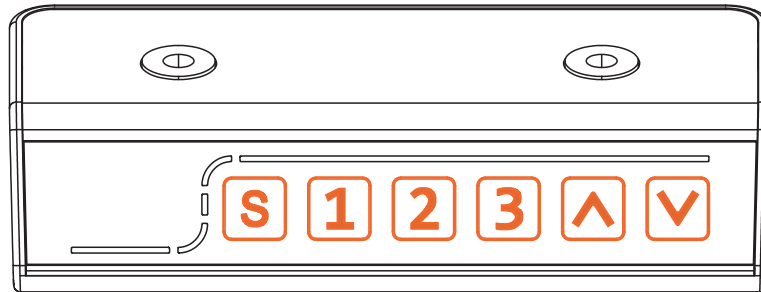


Step 5

Installing the Cable Hole Covers



Using the Controller



- **Save Current Height Setting**

Short-press the **S** button, and the display will flash. Press the **1**, **2**, or **3** button to save the current height setting to that button.

- **Select Height Setting 1**

Press the **1** button, and the desk will move to the height that was previously set for that button.

- **Select Height Setting 2**

Press the **2** button, and the desk will move to the height that was previously set for that button.

- **Select Height Setting 3**

Press the **3** button, and the desk will move to the height that was previously set for that button.

- **Raise the Desk**

Press the **↑** button to raise the desk continuously until it reaches the highest position of 46.5" (118cm) or the button is released.

- **Lower the Desk**

Press the **↓** button to lower the desk continuously until it reaches the lowest position of 28.3" (72cm) or the button is released.

Settings

Change Display Height Units	Press and hold the S button until a flashing 'S-' is displayed. Press S again, and 'Un' is displayed. Press S to select it, press ▲ or ▼ to switch between 'IN' (imperial) and 'SI' (metric), and press S to save your choice.
Change Collision Detection Sensitivity	Press and hold the S button until a flashing 'S-' is displayed. Press S again, and 'Un' is displayed. Press ▲ or ▼ to switch to 'CF' and press S to select it. Press ▲ or ▼ to switch between off, low, normal, and high sensitivity. Press S to save your choice.
Reset	Press and hold the ▼ button for 5 seconds, and the screen will show 'RES.' Continue holding until the desk goes down to its lowest level and comes back up slightly.

Protection Mode Error Codes

Hot	Overheating Protection: When the motor has been working continuously for 2 minutes, it will stop operating to prevent damage from overheating. Wait for at least 18 minutes before making any further height adjustment.
E10	Sensor Malfunction Warning: Motor safety sensor can't be detected. Power off, check the connection between the motor and controller, and power back on again.
E20	Overloading Warning: Max load exceeded. If raising the desk, take the things off the desk and try again. If lowering the desk, power off, take the things off the desk, power back on, and try again.
E02	Operation Status Warning: The desk stops moving if vibration, impact, or incline are detected. If this detection is incorrect, follow the reset instructions before continuing use.

E32	Overvoltage Protection: Input voltage too high. If the correct AC adapter is being used, power off the desk, check the connection between power and the controller, and power on again.
E31	Undervoltage Protection: Input voltage too low. If the correct AC adapter is being used, power off the desk, check the connection between power and the controller, and power on again.
E60	Unequal Leg Height Warning: Power off the desk and check whether the left and right legs are at the same height. Adjust if necessary by following the instructions. Power on again.
-	Cable Disconnection Warning: Check motor and controller cable connections. Normal operation should return once all connectors are properly connected.



Complete Flexibility. Total Freedom.

Thank you for choosing this product. We strive to provide you with the best quality products and service in the industry. Should you have any issues, please don't hesitate to contact us.

Technical Support:

(US/CA) 1-800-651-9525 Mon-Fri, 8am-8pm (CST)
(UK) 44-808-196-3875 Mon-Fri, 2pm-10pm (UTC)

Other Info:

support@ergear.com

Website:

<https://ergear.com>