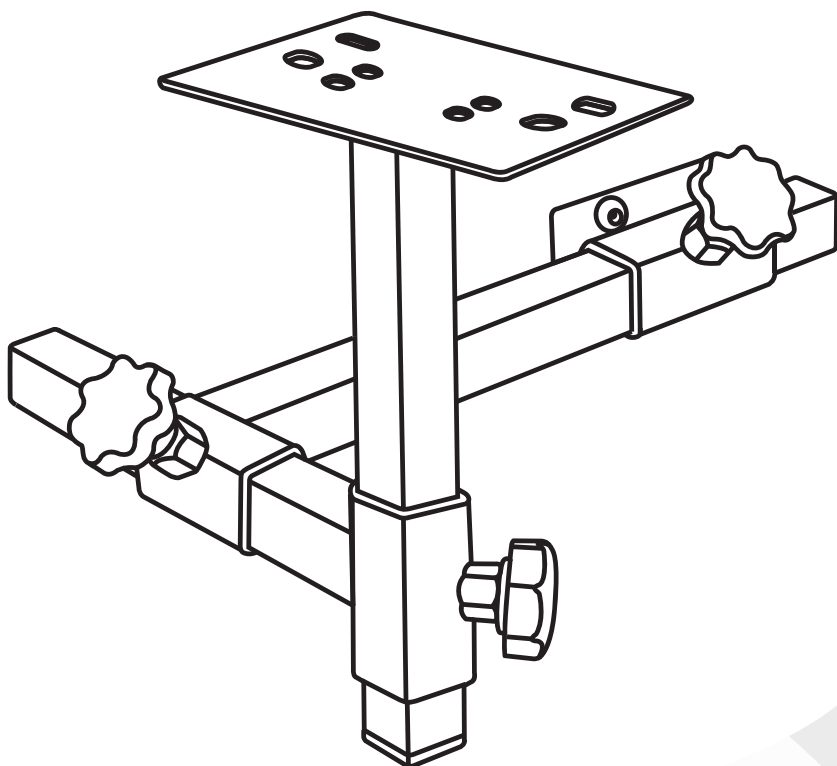


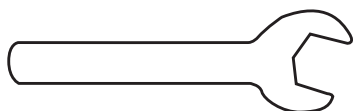
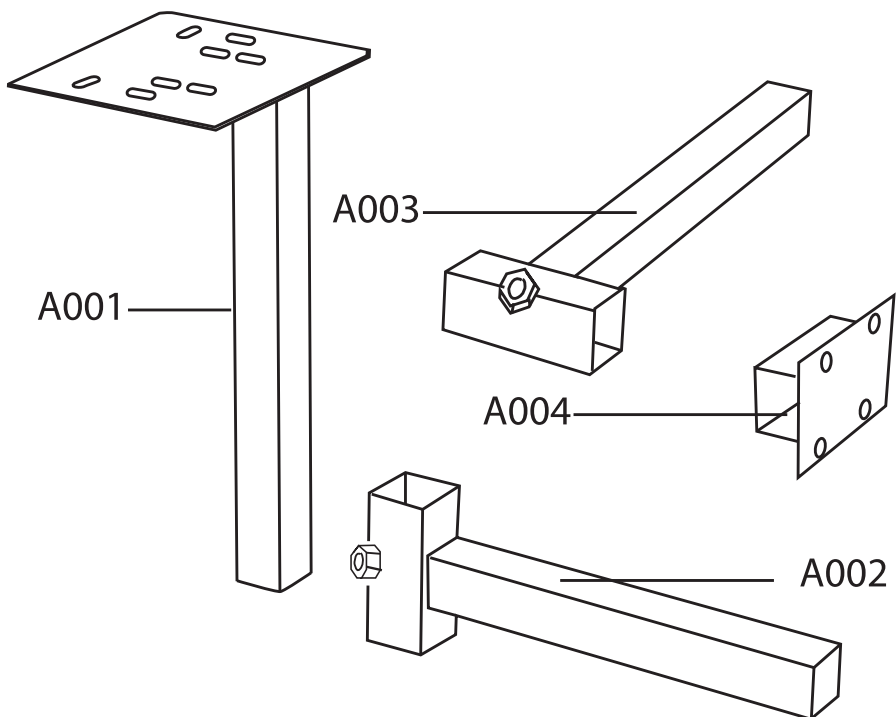
CAMBIO

GEAR SHIFT HOLDER



THANK YOU FOR PURCHASING CAMBIO

THIS USER MANUAL IS DESIGNED TO HELP YOU THROUGH INSTALLATION



1X



2X



2X



2X



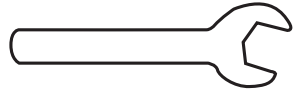
3X



2X



1X



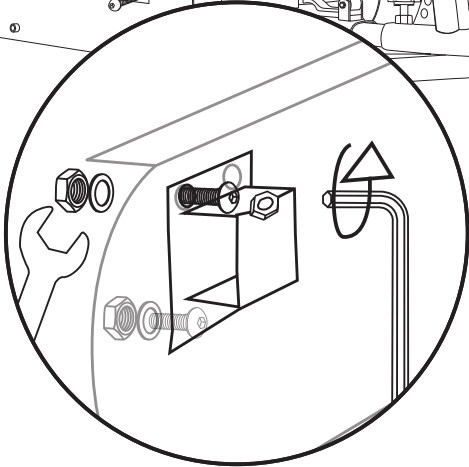
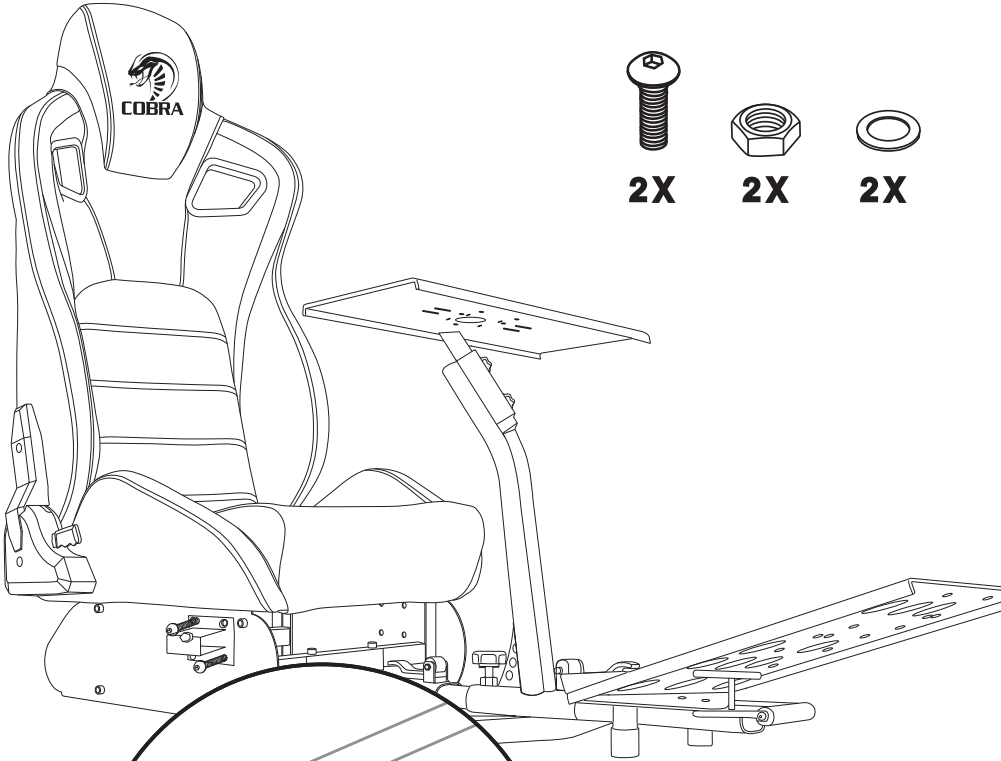
2X



2X



2X





3X

