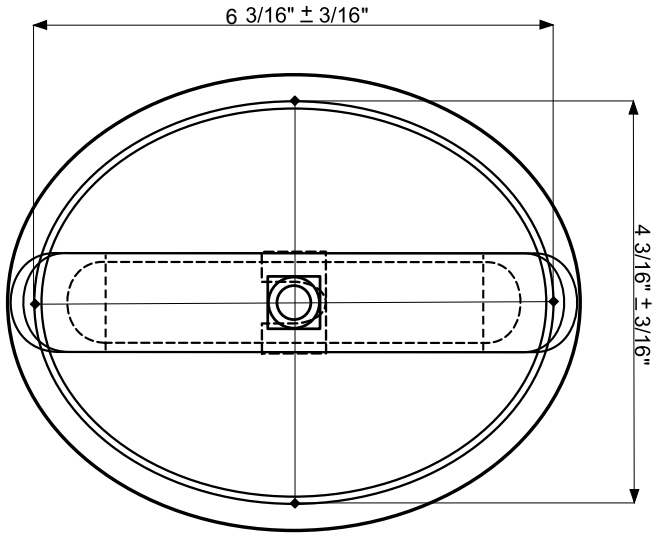
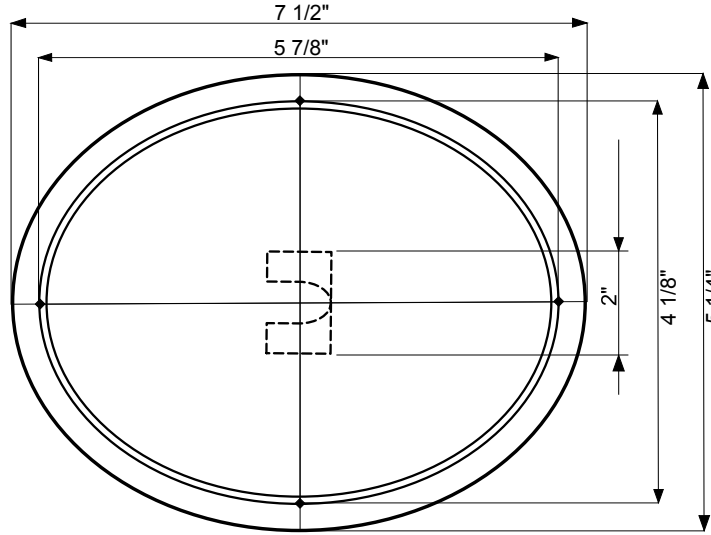




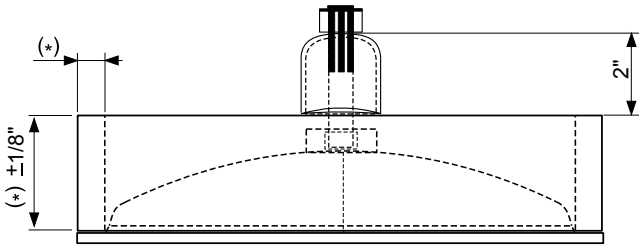
725 Whittier Street
Bronx, NY 10474
718-620-1400
oswaldsupply.com



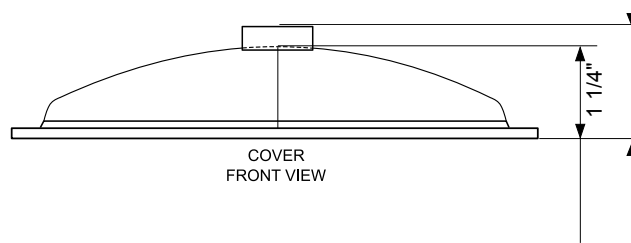
MANHOLE ASSM
TOP VIEW



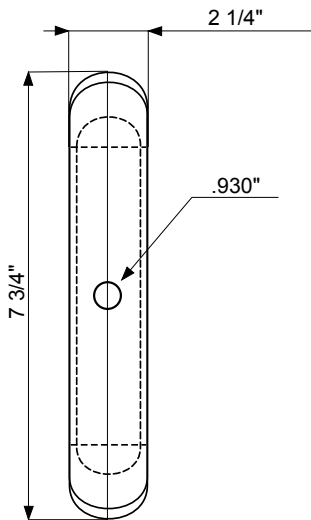
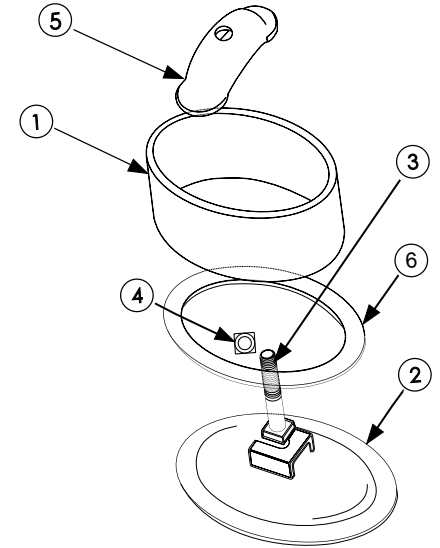
COVER
TOP VIEW



MANHOLE ASSM
FRONT VIEW



COVER
FRONT VIEW



CRAB/YOKE
TOP VIEW

#	DESCRIPTION		STEEL	QTY.
1	RING	(*)	SA 106 B/C	1
2	COVER 500 psi	(*)	.250 SA-516-70	1
3	SQ BOLT	(*)	ASTM307	1
4	HSQ NUT		ASTM A563	1
5	CRAB 6X8 (CRAB/YOKE)		.188" HRC	1
6	NEOPRENE GASKET 4X6 x0.1875	(*)		1

4X6 RING OPTIONS

	THICKNESS	HEIGHT
(*)	1/4"X	1 1/2"~2"~2 1/4"~3"~4"
(*)	3/8"X	1 1/2"~2"~3"~4"
(*)	3/4"X	1 1/2"~2"~3"~4"~6"

- (*) OTHER GASKETS AVAILABLE
- (*) OTHER RINGS AVAILABLE - SA312T-304/304L, SA312T-316/316L
- (*) 2" LONGER THAN RING DEPTH

THESE ARE NOT PRECISION FORMED PARTS.
PLEASE ALLOW FOR NORMAL FORMING TOLERANCES.