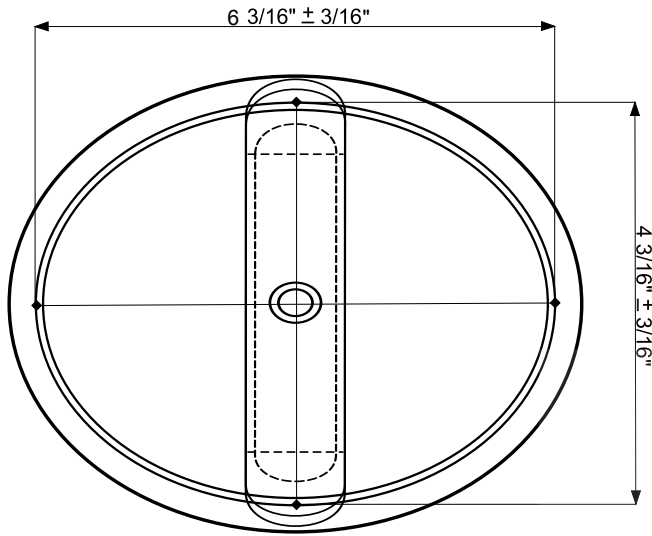
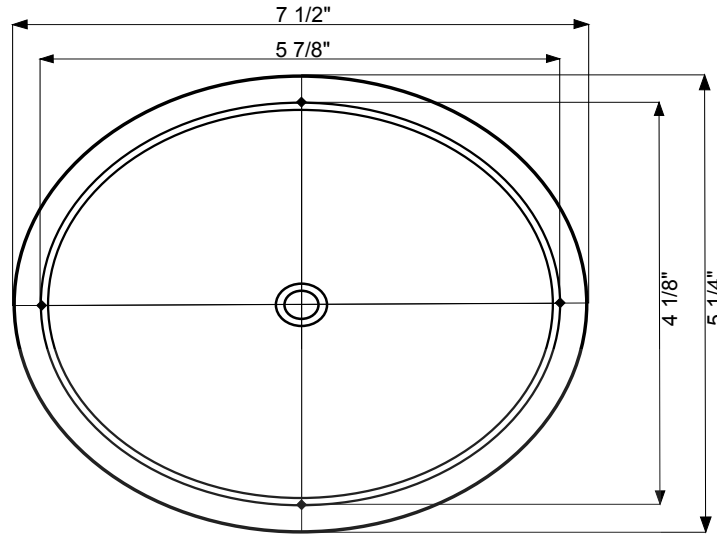




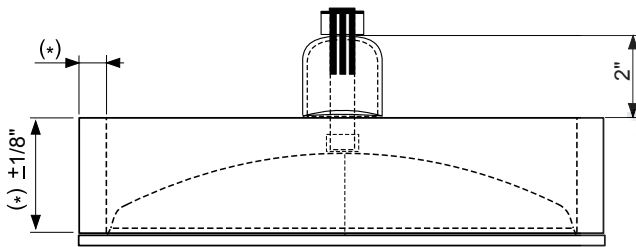
725 Whittier Street Bronx, NY 10474
718-620-1400
oswaldsupply.com



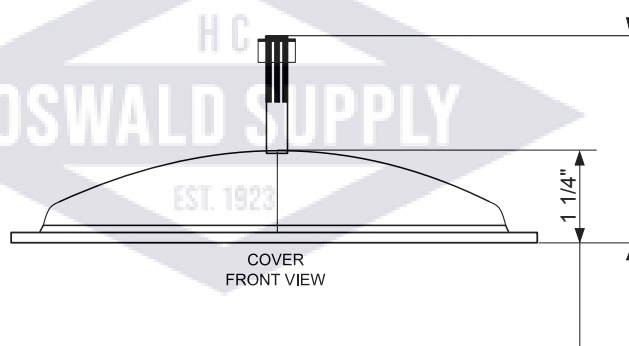
MANHOLE ASSM
TOP VIEW



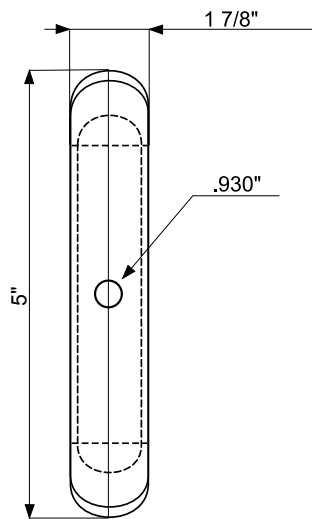
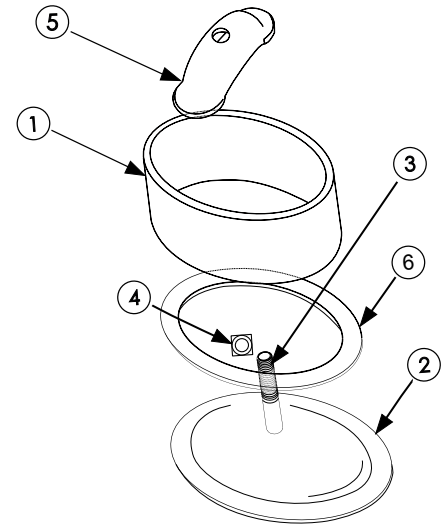
COVER
TOP VIEW



MANHOLE ASSM
FRONT VIEW



COVER
FRONT VIEW



CRAB/YOKE
TOP VIEW

4X6 WITH STUD

#	DESCRIPTION	STEEL	QTY.
1	RING 4X6X1/4"X1 1/2" MAX (*)	SA 106 B/C	1
2	COVER 500 psi	.250 SA-516-70	1
3	5/8-11X3 1/2"	C-1015	1
4	HSQ NUT	ASTM A563	1
5	CRAB 3X4 (CRAB/YOKE)	.188" HRC	1
6	NEOPRENE GASKET 4X6 x0.1875 (*)		1

(*) OTHER GASKETS AVAILABLE

(*) OTHER RINGS AVAILABLE - SA312T-304/304L, SA312T-316/316L

THESE ARE NOT PRECISION FORMED PARTS.
PLEASE ALLOW FOR NORMAL FORMING TOLERANCES.