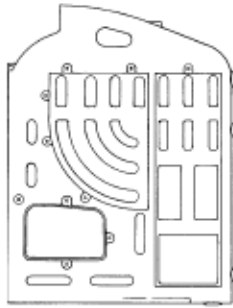
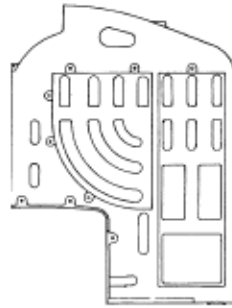


# PARTS FOR DISCONTINUED BOILERS

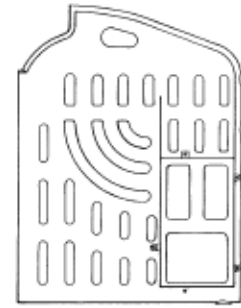
## Mills 650



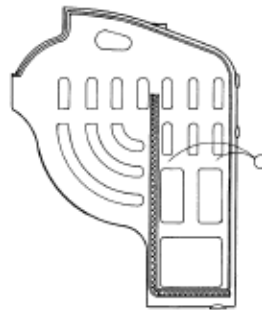
2838 R.H. FRONT  
(2839 L.H. FRONT  
NOT SHOWN)



3207 R.H. FRONT  
(3208 L.H. FRONT  
NOT SHOWN)



3533 BACK R. OR L. HAND  
(L.H. SHOWN)



3655 FORWARD LEG

Item	Weight	Product Code Number
Front Section, R.H. ....	716	3207
Front Section, L.H. ....	724	3208
Front Section R.H. (651) (640) .....	708	2838
Front Section L.H. (651) (640).....	641	2839
Forward Leg Section .....	526	3655
Rear Leg Section.....	533	3656
Back Section, (All 650 Models) R.H. or L.H. (640).....	843	3533

Extra tapings on replacement sections will be provided for an additional \$50.00 per tapping.

(Ribs on castings not shown for clarity)

2" x 4 <sup>1</sup> / <sub>2</sub> " SNA for Supply Drum (steam).....	71613
2" x 6" SNA for Supply Drum (water) and 13 & 14 Section 651 (steam) .....	71614
2" x 7" SNA for Return Drum.....	71615
2" x 14 <sup>1</sup> / <sub>4</sub> " Equalizing Unit (obsolete) (640) .....	71619

NOTE: SNA's can be used if entire drum or section is removed before placement.

Standard Nipple Assemblies (SNA's). Includes nipple, locknut, hy-temp seal and washer (See page 49 for illustration).

2" x 7" RNA For Return Drum.....	71630
----------------------------------	-------

NOTE: RNA's are used when section and drum remain in place.

Replacement Nipple Assemblies (RNA's). Includes nipple, extension piece, locknut, split hy-temp seal and split washer (see page 49 for illustration).

2" x 4 <sup>1</sup> / <sub>2</sub> " WNA for Supply Drum (steam).....	71647
2" x 6" WNA for Supply Drum (water) .....	71649
2" x 7" WNA for Return Drum .....	71650

NOTE: WNA's are used when section and drum remain in place.

Welded Nipple Assemblies (WNA's). Includes two piece nipple beveled for welding, locknut, split hy-temp seal and split washer (see page 50 for illustration).

# PARTS FOR DISCONTINUED BOILERS

## Mills 650

Product	Code Number
Item Wicking (5/8") (18'6" - 1 pc. covers 2 sections) .....	78104
Insulating Cement (45# bag) (see page 62 for quantities needed) .....	66-1000

### SUPPLY DRUM

### RETURN DRUM

Item	Weight	10" round (water) Product Code	Weight	12" x 18" elliptical (steam) Product Code	Weight	8" Product Code
		Number		Number		Number
13 hole.....	365	3206H	—	—	201	222H
14 hole.....	408	3206I	—	—	215	222I
15 hole.....	420	3206J	730	3299J	242	222J
16 hole.....	430	3206K	755	3299K	265	222K
17 hole.....	455	3206L	810	3299L	278	222L
18 hole.....	475	3206M	880	3299M	315	222M
19 hole.....	493	3206N	915	3299N	320	222N
20 hole.....	518	3206O	948	3299O	330	222O
21 hole.....	555	3206P	980	3299P	350	222P
22 hole.....	592	3206Q	1050	3299Q	388	222Q
23 hole .....	600	3206R	1085	3299R	403	222R
24 hole .....	619	3206S	1100	3299S	418	222S
25 hole .....	625	3206T	1150	3299T	430	222T

Steam Drum for 13 & 14 Section 651 is 10" x 15" (see page 54)

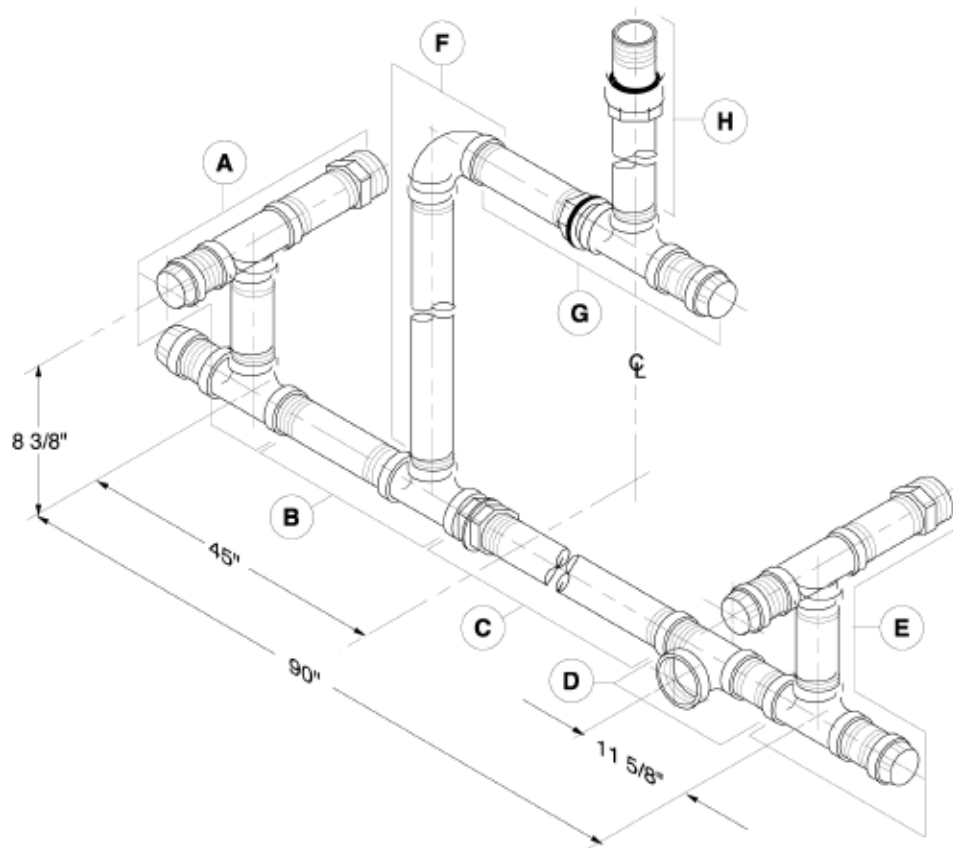
640 Supply Drum – NLA

650-6500 Smokehood Elbow with Cleanout Door.....	2967
650-6500 Smokehood Center Section .....	2996
650-6500 Smokehood Reducer, 22" x 22" .....	2998
650-6500 Smokehood Reducer, 24" x 28" .....	3000
650-6500 Smokehood Reducer, 28" x 28" .....	3001
Water Return Yoke 650 .....	70034
Steam Return Yoke 650 (for individual components see page 60) .....	74086

# PARTS FOR DISCONTINUED BOILERS

## Mills 650

### MILLS 6500A – Steam Return Components



Ref #	Name of Part	Part No.
<b>A</b>		
—	(2) 4" Pipe Cap	61380
—	(2) 4" Close Nipple	60760
—	(2) 4" Tee	61906
—	(2) 4" x 3" Pipe Nipple XH	60830
—	5" x 4" Hex Bushing	61200
<b>B</b>		
—	4" x 27" Pipe Nipple	60834
—	4" Locknut Tee	71067
<b>C</b>		
—	4" Hy-temp Hydronic Seal	60295
—	4" Locknut Washer	60300
—	4" Locknut	71687
—	4" x 4 1/2" Locknut Nipple	60855
<b>D</b>		
—	4" Tee	61906
—	4" x 6" Pipe Nipple	60831

Ref #	Name of Part	Part No.
<b>E</b>		
—	(2) 4" Pipe Cap	61380
—	(2) 4" Close Nipple	60760
—	(2) 4" Tee	61906
—	(2) 4" x 3" Pipe Nipple XH	60830
—	5" x 4" Hex Bushing	61200
<b>F</b>		
—	4" x 12" Pipe Nipple	60832
—	4" 90° Elbow	60513
<b>G</b>		
—	4" x 7" Locknut Nipple	60851
—	4" Locknut	71687
—	4" Locknut Washer	60300
—	4" Hy-temp Hydronic Seal	60295
—	4" Locknut Tee	71067
—	4" Close Nipple	60760
—	4" Pipe Cap	61380
<b>H</b>		
—	4" x 55" Locknut Nipple	60856
—	4" Locknut	71687
—	4" Locknut Washer	60300
—	4" Hy-temp Hydronic Seal	60295