

PARTS FOR DISCONTINUED BOILERS

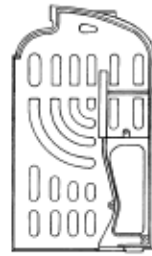
Mills 450



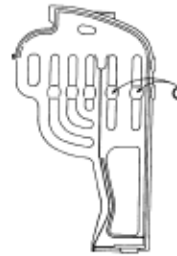
HI-SET
2509 R.H. FRONT
(2940 L.H. FRONT
NOT SHOWN)



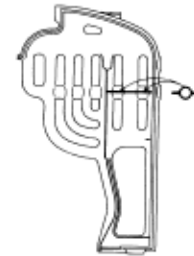
LO-SET
3159 R.H. FRONT
(3160 L.H. FRONT
NOT SHOWN)



3339 BACK
(L.H. SHOWN
R.H. IS REVERSE)



3653 FORWARD LEG



3654 REAR LEG

Item	Weight	Product Code Number
Hi-Set Front Section (450 & 451) R.H.	412	2939
Hi-Set Front Section (450 & 451) L.H.	416	2940
Lo-Set Front Section (M450L & 450L, 4500) R.H.	430	3159
Lo-Set Front Section (M450L & 450L, 4500) L.H.	393	3160
Forward Intermediate Section (440 - use Forward Intermediate Section only)	364	3653
Rear Intermediate Section	364	3654
Back Section	521	3339
440 Front Section Replacement Left + Right	1,306	74199
440 Back Section Replacement Left + Right	1,268	74198

Extra tappings on replacement sections will be provided for an additional \$50.00 per tapping.

If current 3339 Back Section replaces an old style R.H. Back Section 1 – 2" Drum Plug must be ordered to plug equalizing tapping in old style L.H. Back Section..... 70078

Water Return Yoke 450/451	73055
Steam Return Yoke 450/451	75006
Water Return Yoke M450/4500 (for individual components see page 55)	73054
Steam Return Yoke M450/4500 (for individual components see page 56)	73053
Water Return Yoke Grooved Pipe (refer to page 57)	70-1200

2" x 4 ¹ / ₂ " SNA for Supply Drum.....	71613
2" x 6" SNA for Return Drum.....	71614
2" x 7" SNA for Return Drum (use with narrow base)	71615
2" x 10" Equalizing Unit.....	71617

NOTE: SNA's can be used only if drum or section is removed before replacing section.

Standard Nipple Assemblies (SNA's). Includes nipple, locknut, hy-temp seal and washer (see page 49 for illustration).

2" x 6" RNA for Return Drum (This RNA is furnished with split hy-temp seal and split washer to permit assembly)	71629
2" x 10" RNA for Equalizing Unit (Not used on current back sections)	71632
2" x 7" RNA for Return Drum (use with narrow base)	71630

NOTE: RNA's are used when section and drum remain in place.

Replacement Nipple Assemblies (RNA's). Includes nipple, extension piece, locknut, split hy-temp seal and split washer (see page 49 for illustration)

2" x 7" WNA for Return Drum (use with narrow base)	71650
2" x 4 ¹ / ₂ " WNA for Supply Drum.....	71647
2" x 6" WNA for Return Drum	71649
2" x 10" WNA for Equalizing Unit.....	71652

NOTE: WNA's are used when section and drum remain in place.

Welded Nipple Assemblies (WNA's). Includes two piece nipple beveled for welding, locknut, split hy-temp seal and split washer (see page 50 for illustration).

PARTS FOR DISCONTINUED BOILERS

Mills 450

	Weight	Product Code Number
Flue Door Assembly (includes L.H. and R.H. Door with Handles, Lining and Rope)		73010
L.H. Flue Door with Handles (with lining)	117	73007
R.H. Flue Door with Handles (with lining)	119	73008
*Flue Door Lining:		
4500T (Top)		60451
4500B (Bottom)		60452
*NOTE: One top and one bottom per door.		
Wicking (5/8") (15'10" - 1 pc. covers 2 sections)		78102
Insulating Cement, 45# per bag (see page 62 for quantities needed)		66-1000
Fire Door Lining		73096
Cleanout Cover		3357
Cleanout Cover Insulation		72982
Repair Kit for M450L and 4500 Steam Return Yoke Hydronic Joint		
3" Split Hy-Temp Gasket and Cord		75004
3" Split Steel Washer		60328
Repair Kit for M450L and 4500 Water Return Yoke Hydronic Joint		
4" Split Hy-Temp Gasket and Cord		75005
4" Split Steel Washer		60329
Observation Cover Insulation		73097
Wool for Observation Cover		70028

SUPPLY DRUM

RETURN DRUM 8"

Item	10" round All Water Models & 450/451 steam & 440** steam & water		10" x 15" elliptical (M450L & 4500 steam only)		Weight	Product Code Number
	Weight	Product Code Number	Weight	Product Code Number		
7 hole (440)	175	3206B	—	—	—	—
8 hole	203	3206C	—	—	144	222C
9 hole	235	3206D	—	—	160	222D
10 hole	260	3206E	450	3205E	170	222E
11 hole	285	3206F	480	3205F	190	222F
12 hole	345	3206G	515	3205G	196	222G
13 hole	365	3206H	540	3205H	201	222H
14 hole	408	3206I	570	3205I	258	222I
15 hole	420	3206J	600	3205J	252	222J
16 hole	430	3206K	630	3205K	265	222K
17 hole	455	3206L	710	3205L	288	222L
18 hole	475	3206M	730	3205M	315	222M
19 hole	493	3206N	750	3205N	320	222N
20 hole	518	3206O	762	3205O	330	222O
21 hole	555	3206P*	780	3205P	350	222P
22 hole	592	3206Q*	820	3205Q	388	222Q

*NOTE: No shelf on front of 10" round drum on 21 and 22 sections (44).

** For 440, number, size & location of tappings will not be the same as the original drum. Refer to 450 catalog for dimensions.

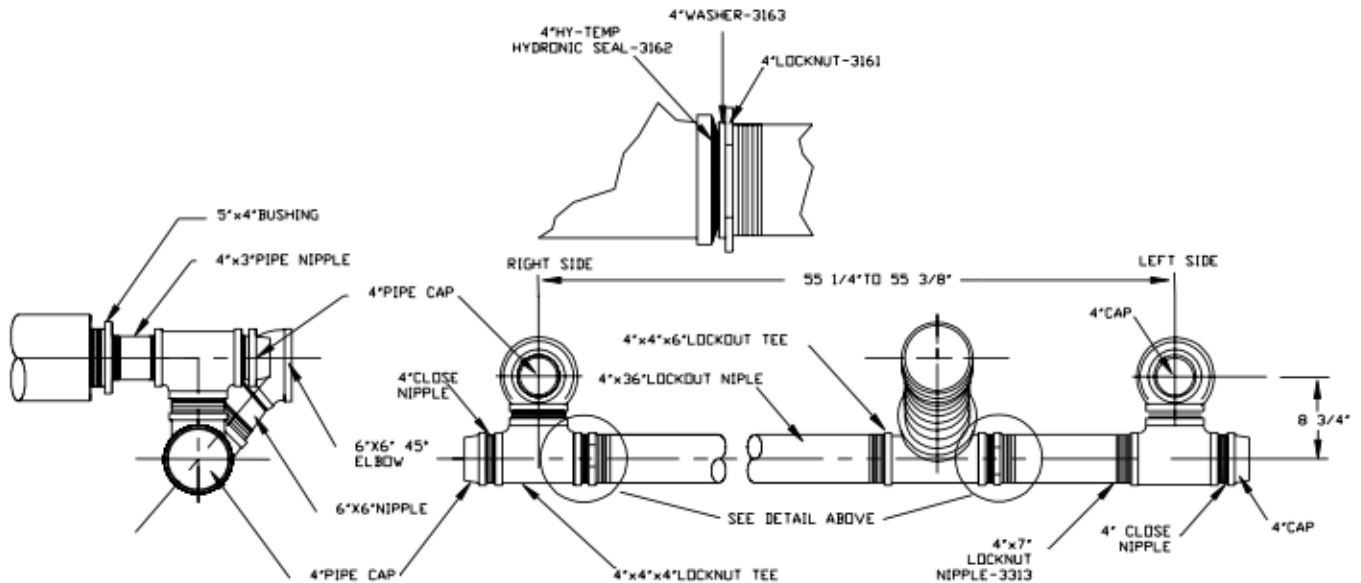
450 Smokehood Elbow with Cleanout Door	2952
450-4500 R.H. Smokehood Adapter, fits #3339 Back Section	3335
450-4500 L.H. Smokehood Adapter, fits #3339 Back Section	3336
450 Smokehood Center Section	2954
440/450 Smokehood Reducer, 15" x 19"	2955
440/450 Smokehood Reducer, 19" x 19"	2956
440/450 Smokehood Reducer, 19" x 24"	3250
Steam Trim 5/8" x 12" with Gauge Glass, Rods, Cocks and 2 Try Cocks	61866

NOTE: Water Supply Drums can have the front face tapped up to 6" for use with tankless coil. Order must specify tapping size.

PARTS FOR DISCONTINUED BOILERS

Mills 450

MILLS 4500A – Water Return Components



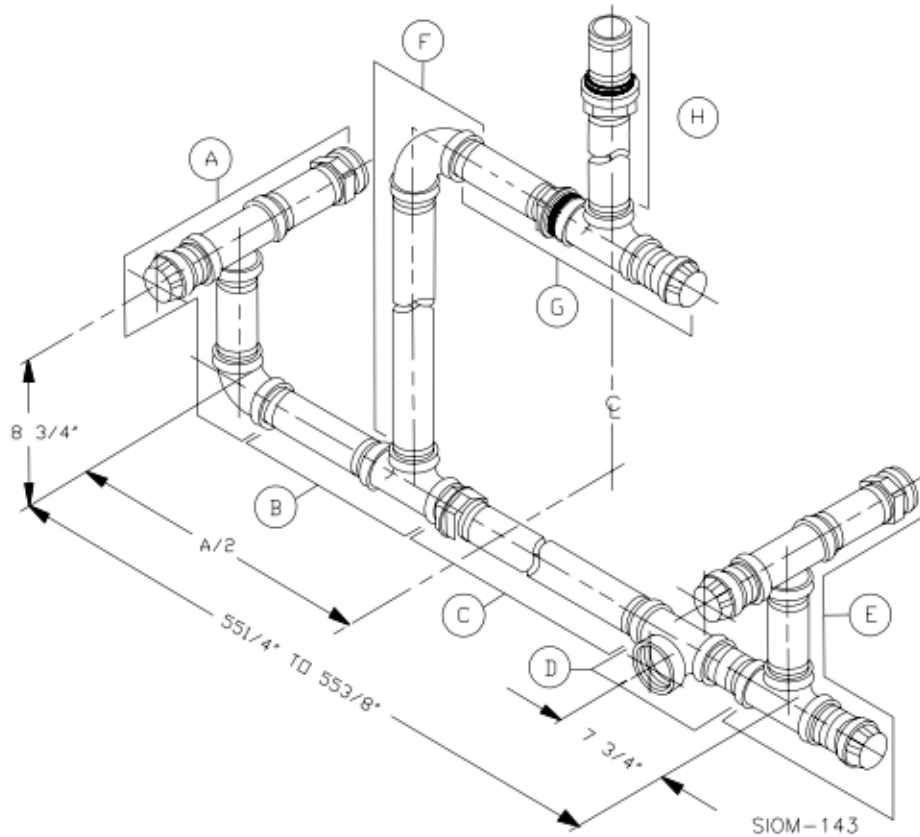
SIOM-142

Ref #	Name of Part	Part No.
—	4" Hy-temp Hydronic Seal	60295
—	4" Washer	60300
—	4" Locknut	71687
—	5" x 4" Bushing	61200
—	4" x 3" Pipe Nipple	60830
—	4" Pipe Cap	61380
—	4" Close Nipple	60760
—	6" x 6" Nipple	60839
—	6" x 6" 45° Elbow	60523
—	4" x 4" x 4" Locknut Tee	71067
—	4" x 36" Locknut Nipple	60854
—	4" x 4" x 6" Locknut Tee	71068
—	4" x 7" Locknut Nipple	60851

PARTS FOR DISCONTINUED BOILERS

Mills 450

MILLS 4500A – Steam Return Components



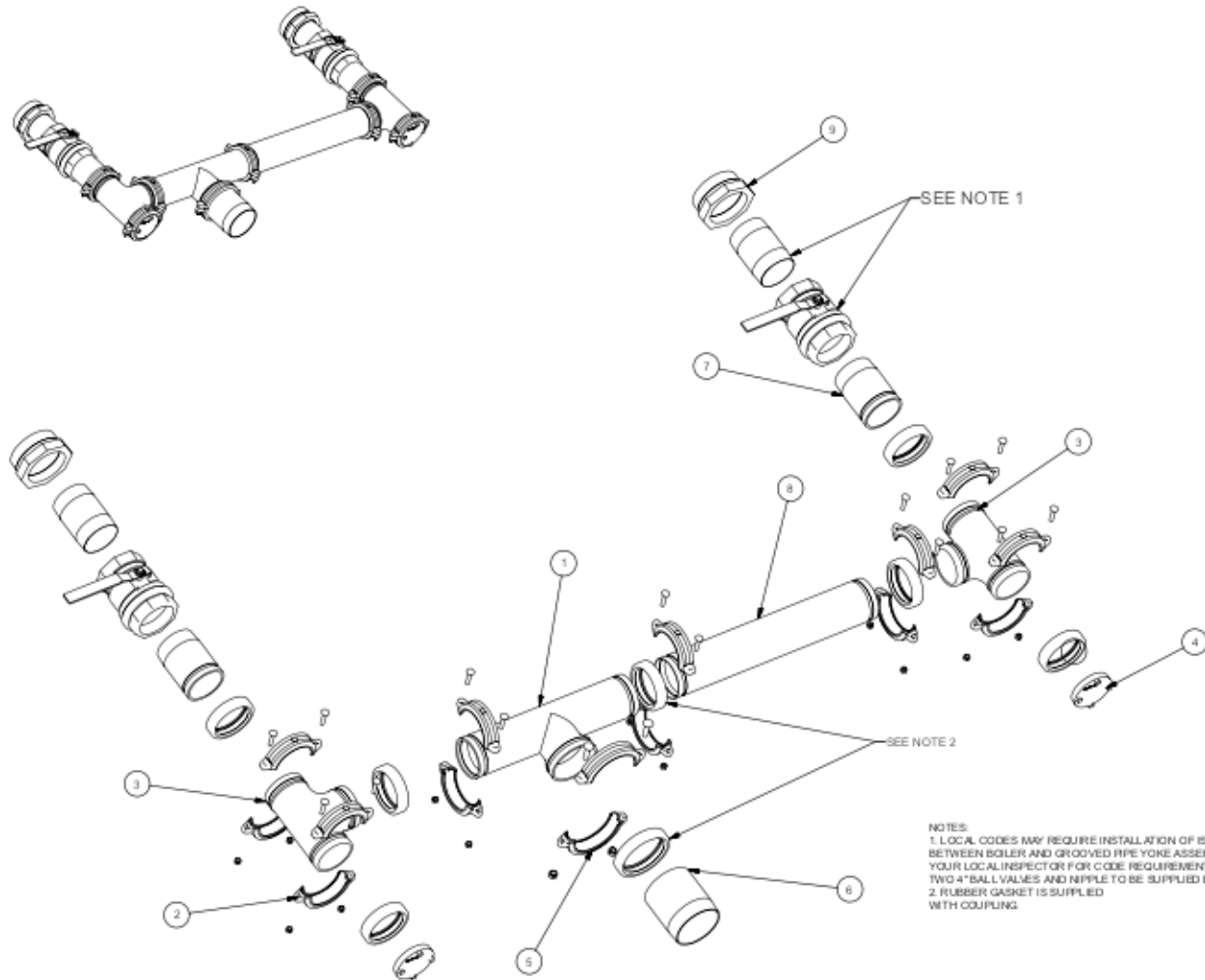
Ref #	Name of Part	Part No.
A		
—	3" Pipe Cap	61379
—	3" Close Nipple	60758
—	3" Tee	61903
—	3" x 3½" Pipe Nipple	60821
—	5" x 3" Hex Bushing	61198
—	3" x 4½" Pipe Nipple	60822
—	3" 90° Elbow	60512
B		
—	3" x 12½" Pipe Nipple	60825
—	3" Locknut Tee	71062
C		
—	3" Hy-temp Hydronic Seal	60294
—	3" Locknut Washer	60299
—	3" Locknut	70648
—	3" x 26½" Locknut Nipple	60846
D		
—	3" x 3" x 4" Tee	61904
—	3" Close Nipple	60758

Ref #	Name of Part	Part No.
E		
—	3" Pipe Cap (2)	61379
—	3" Close Nipple (2)	60758
—	3" Tee (2)	61903
—	3" x 3½" Pipe Nipple	60821
—	5" x 3" Hex Bushing	61198
—	3" x 4½" Pipe Nipple	60822
F		
—	3" x 14" Pipe Nipple	60826
—	3" 90° Elbow	60512
G		
—	3" x 7" Locknut Nipple	60897
—	3" Locknut	70648
—	3" Locknut Washer	60299
—	3" Hy-temp Hydronic Seal	60294
—	3" Locknut Tee	71062
—	3" Close Nipple	60758
—	3" Pipe Cap	61379
H		
—	3" x 47" Locknut Nipple	60848
—	3" Locknut	70648
—	3" Locknut Washer	60299
—	3" Hy-temp Hydronic Seal	60294

PARTS FOR DISCONTINUED BOILERS

Mills 450

4500 Grooved Pipe Water Return Yoke



NOTES:

1. LOCAL CODES MAY REQUIRE INSTALLATION OF ISOLATION VALVES BETWEEN BOILER AND GROOVED PIPE YOKE ASSEMBLY. CONSULT YOUR LOCAL INSPECTOR FOR CODE REQUIREMENTS. TWO 4" BALL VALVES AND NIPPLE TO BE SUPPLIED BY OTHERS.
2. RUBBER GASKET IS SUPPLIED WITH COUPLING.

Ref #	Name of Part	Part No.
—	4" x 4" x 5" Bullhead Tee	60636
—	4" Coupling	60632
—	4" Tee	60633
—	4" End Cap	60634
—	5" Coupling	60637
—	5" x 6" Groove Nipple	60638
—	4" x 6" Groove Nipple	53-1000
—	4" x 25 ¹ / ₈ " Grv x Grv Nipple	53-1001
—	5" x 4" Hex Bushing	61200
—	4.6 oz Lube	60639