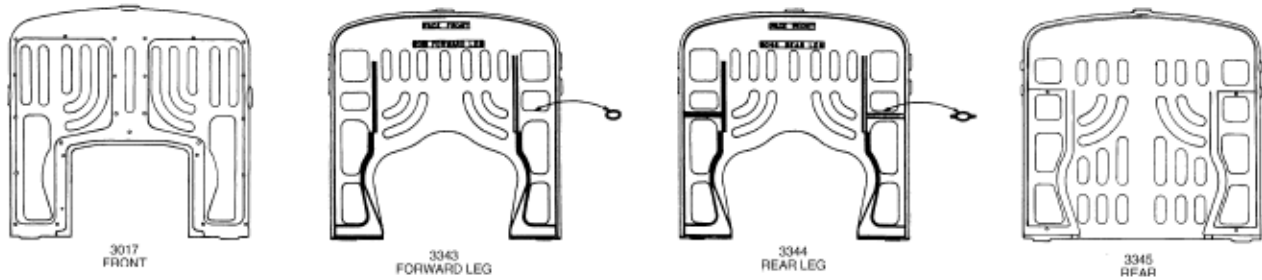


PARTS FOR DISCONTINUED BOILERS

Mills 350



Replacement parts for 34/340 noted next to descriptions.

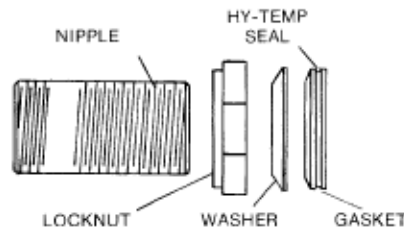
Item	Weight	Product Code Number
Front Section 350 (34,340***).....	624	3017
Forward Leg Section 350 (34,340 use forward legs only)	490	3343
Rear Leg Section.....	521	3344
Back Section 350 (34,340***).....	714	3345*

Extra tappings on repair sections will be provided for an additional \$50.00 per tapping.

*See chart on interchangeability on page 50.

**For 34, 340 also order 2 - #3346 (see page 50).

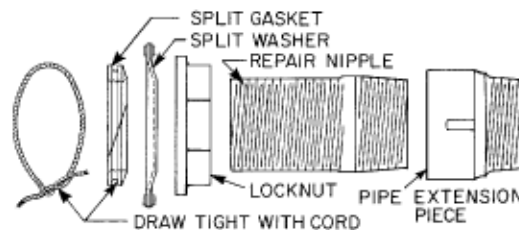
***For 34, 340 also order 1 - #71005 Flue Doors and 1 -#71004 Fire Door (see page 50).



Standard Nipple Assemblies (SNA's). Includes nipple, locknut, hy-temp seal, and washer.

Item	Product Code Number
2" x 4 1/2" SNA for Supply Drum (water).....	71613
2" x 6" SNA for Supply Drum (steam)	71614
1 1/2" x 6" SNA for Return Drum.....	71611
1 1/2" x 7" SNA for Return Drum (use with narrow base)	71612

NOTE: SNA's can be used only if drum or section is removed before replacing section.



Replacement Nipple Assemblies (RNA's). Includes nipple, extension piece, locknut, split hy-temp seal and split washer.

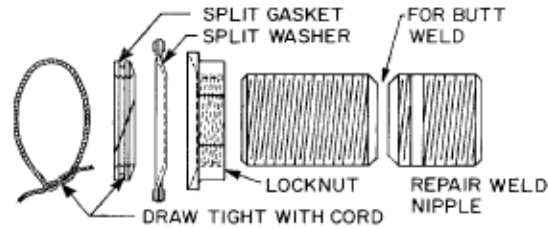
Item	Product Code Number
1 1/2" x 6" RNA for Return Drum* (nipple is 1 1/2" x 4 1/4")	71627

NOTE: for use when section and drum remain in place.

*This nipple assembly is furnished with split hy-temp seal and split washer to permit assembly.

PARTS FOR DISCONTINUED BOILERS

Mills 350



Weld Nipple Assemblies (WNA's). Includes two piece nipple beveled for welding, locknut, split hy-temp seal and split washer.

Item	Product Code Number
1 1/2" x 6" WNA for Return Drum (Water or Steam).....	71645
2" x 4 1/2" WNA for Supply Drum (Water).....	71647
2" x 5 1/4" WNA for Supply Drum (Steam).....	71648
1 1/2" x 7" WNA Return Drum (use with narrow base).....	71646
NOTE: For use when section and drum remain in place	
Wicking 12'.....	78103
Insulating Cement, 45# per bag (see page 62 for quantities needed).....	66-1000
Flue Door Set.....	71005
Flue Door R.H. Assembly (includes Handle and Lining).....	71007
Flue Door L.H. Assembly (includes Handle and Lining).....	71006
Flue Door Handle.....	3038
Flue Door Lining, Top.....	60449
Flue Door Lining, Bottom.....	60450
Fire Door, Frame, Handle and Lining.....	71004
Fire Door Lining.....	60654
350 Smokehood Elbow with cleanout door.....	3346
Smokehood Adapter (2 required) for new elbow #3346 on old back section #3047.....	3347
Smokehood Adapter (2 required) for old elbow #3041 and new back section #3345.....	3350*
Center Smokehood Section.....	3040
Smokehood Reducer, 14" x 14".....	3042
Smokehood Reducer, 14" x 16".....	3043
Smokehood Reducer, 14" x 18".....	3044
Back Section Cleanout Cover.....	3300
Cleanout Cover Insulation (back).....	72983
Front Section Cleanout Cover.....	71247
Water Return Yoke 6-11 Section (for individual components see page 51).....	71001
Water Return Yoke 12-14 Section (for individual components see page 51).....	71002
Steam Return Yoke 6-14 (for individual components see page 52).....	71050

*INTERCHANGEABILITY CHART FOR 3500 BACK SECTIONS AND SMOKEHOODS

BACKSECTION	ELBOWS	SMOKEHOOD ADAPTERS
3345	3041 old style	3350
3345	3346 new style	none required

*The 3047 Back Section has 25 1/2" dimension between bolt hole centers for the elbow (or adapter #3347) assembly. The new Back Section #3345 has 22 1/4" dimension between bolt hole centers matching the new elbow #3346.

Item	SUPPLY DRUM						RETURN DRUM		
	8" (350 water)(340 steam+water)*			10" (steam w/baffle)			6" (340,350)*		
	Number of Sections	Weight	Product Code Number	Number of Sections	Weight	Product Code Number	Number of Sections	Weight	Product Code Number
6 hole.....	6	124	3260A	—	—	—	6	75	3114A
7 hole.....	7	144	3260B	6	217	3073B	7	95	3114B
8 hole.....	8	162	3260C	7	235	3073C	8	108	3114C
9 hole.....	9	171	3260D	8	270	3073D	9	112	3114D
10 hole.....	10	195	3260E	9	282	3073E	10	115	3114E
11 hole.....	11	201	3260F	10	310	3073F	11	135	3114F
12 hole.....	12	220	3260G	11	328	3073G	12	142	3114G
13 hole.....	13	238	3260H	12	347	3073H	13	158	3114H
14 hole.....	14	241	3260I	13	372	3073I	14	172	3114I
15 hole.....	—	—	—	14	445	3073J	—	—	—

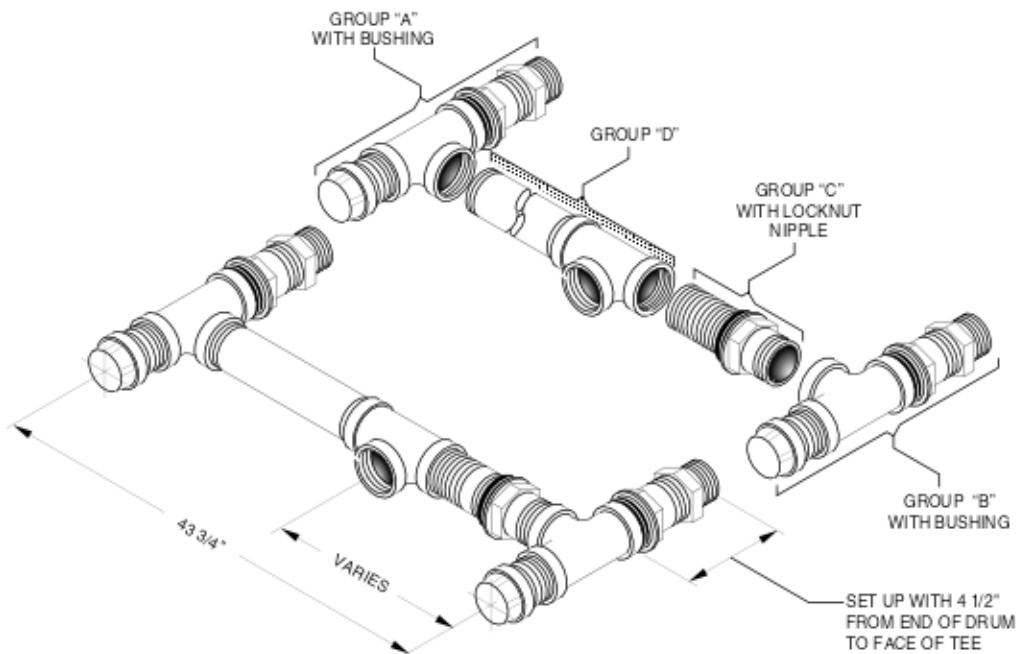
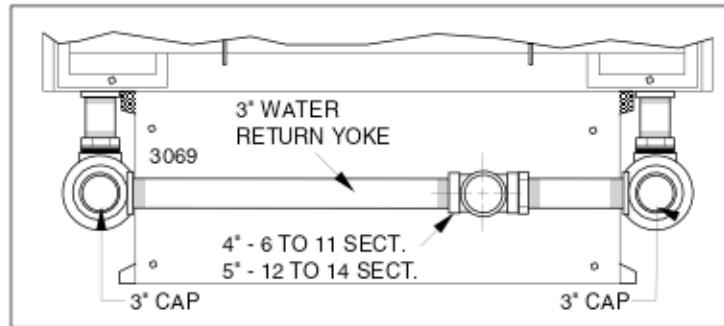
NOTE: 10" Steam Drum is one hole greater than number of section of boilers to accommodate drip connection.

*For 340, Tappings on these drums may not match size and location of drum to be replaced.

PARTS FOR DISCONTINUED BOILERS

Mills 350

MILLS 3500A – Water Return Components



6 to 11 Section

Ref #	Name of Part	Part No.
Group "A" & "B" Assembly		
—	3" x 6" Locknut Nipple (2 ea)	60841
—	3" Locknut (2 ea)	70648
—	3" Locknut Washer (2 ea)	60299
—	3" Hy-temp Hydronic Seal (2 ea)	60294
—	3" x 3" x 3" Locknut Tee (2 ea)	71062
—	3" Close Nipple (2 ea)	60758
—	3" Cap (2 ea)	61379
Group "C" Assembly		
—	3"x11" Locknut Nipple <small>w/ 6" running thread</small>	60843
—	3" Locknut	70648
—	3" Locknut Washer	60299
—	3" Hy-temp Hydronic Seal	60294
Group "D" Assembly		
—	3" x 3" x 4" Locknut Tee	71060
—	3" x 23½" Pipe Nipple	60828

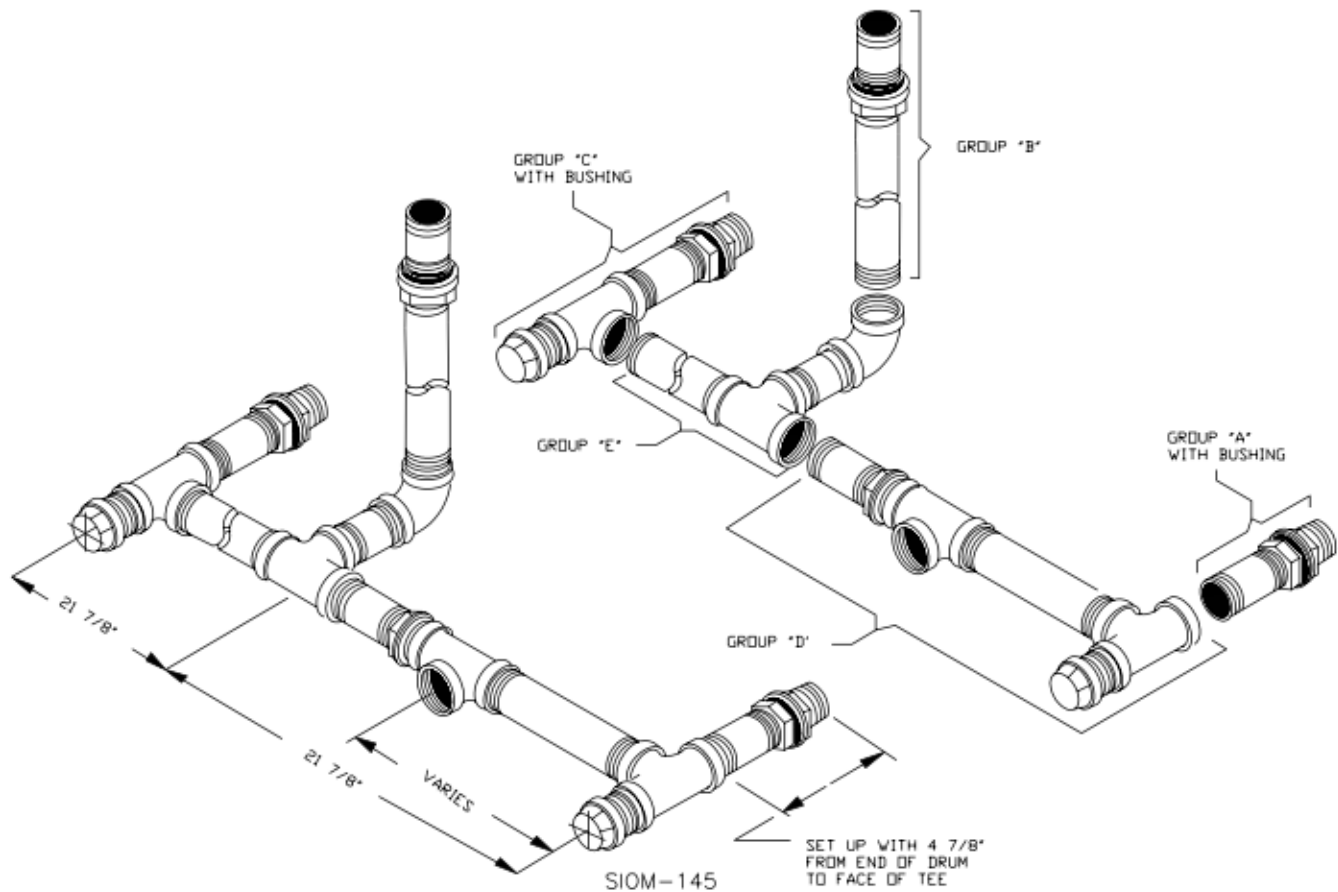
12 to 14 Section

Ref #	Name of Part	Part No.
Group "A" & "B" Assembly		
—	3" x 6" Locknut Nipple (2 ea)	60841
—	3" Locknut (2 ea)	70648
—	3" Locknut Washer (2 ea)	60299
—	3" Hy-temp Hydronic Seal (2 ea)	60294
—	3" x 3" x 4" Locknut Tee (2 ea)	71060
—	3" Close Nipple (2 ea)	60758
—	3" Cap (2 ea)	61379
Group "C" Assembly		
—	4"x10¼" Locknut Nipple <small>w/ 6" running thread</small>	60818
—	4" Locknut	71687
—	4" Locknut Washer	60300
—	4" Hy-temp Hydronic Seal	60295
Group "D" Assembly		
—	4" x 4" x 5" Locknut Tee	71166
—	4" x 23" Pipe Nipple	60803

PARTS FOR DISCONTINUED BOILERS

Mills 350

MILLS 3500A – Steam Return Components



Ref #	Name of Part	Part No.
Group "A"		
—	Special 3" x 2" Brushing w/ inside straight thread B-1694-4(3125)	71077
—	2" Hy-temp Hydronic Seal	60293
—	2" Locknut	71604
—	2" Locknut Washer	60298
—	2" x 6" Locknut Nipple	71051
Group "B"		
—	2" Hy-temp Hydronic Seal	60293
—	2" Locknut	71604
—	2" Locknut Washer	60298
—	2" x 5 3/4" Locknut Nipple	71055
Group "C"		
—	Special 3" x 2" Bushing w/ inside straight thread B-1694(3125)	71077
—	2" Hy-temp Hydronic Seal	60293
—	2" Locknut	71604
—	2" Locknut Washer	60298
—	2" x 6" Locknut Nipple	71051
—	2" x 2" x 2" Tee	61898
—	2" Close Nipple	60756
—	2" Cap	61362

Ref #	Name of Part	Part No.
Group "D"		
—	2" x 2" x 2" Tee	61898
—	2" Close Nipple	60756
—	2" Cap	61362
—	2" x 10 1/2" Pipe Nipple	71165
—	2" x 2" x 2" Special Tee for special joint B-1692	71069
—	2" Locknut	71604
—	2" Hy-temp Hydronic Seal	60293
—	2" Locknut Washer	60298
—	2" x 5 1/4" Locknut Nipple	71052
Group "E"		
—	2" – 45° Elbow	60521
—	2" x 2 1/2" Pipe Nipple	60807
—	2" x 2" x 2" Special Tee for special joint B-1692	71069
—	2" Locknut	71604
—	2" Hy-temp Hydronic Seal	60293
—	2" Locknut Washer	60298
—	2" x 1 9/16" Locknut Nipple	71054