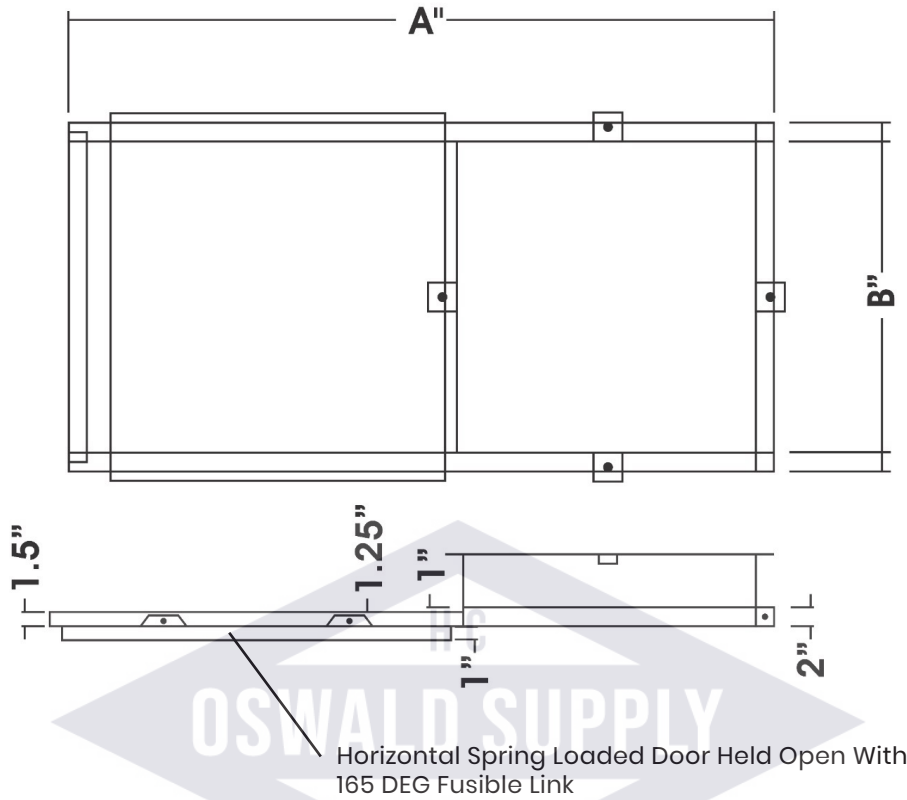




Trash Chute Discharge Door Spring Loaded - Square Midland Style

SKU: HF8XXSS



DIMENSION CHART

SKU	Chute Diameter	A	B
HF818SS	18"	42-1/4"	21-1/4"
HF820SS	20"	46-1/4"	23-1/4"
HF824SS	24"	54-1/4"	27-1/4"
HF830SS	30"	66-1/4"	33-1/4"
HF836SS	36"	78-1/4"	39-1/4"

KEY FEATURES:

- Horizontal, Spring Loaded Trash Chute or Linen Chute Discharge Door
- Spring Loaded
- Fabricated from Aluminized Steel, 16 Gauge Double Panel with Insulation
- Follows B-Label Construction, but do not carry UL documentation



718-620-1400



info@oswaldsupply.com



725 Whitier St.
Bronx, NY 10474
www.oswaldsupply.com