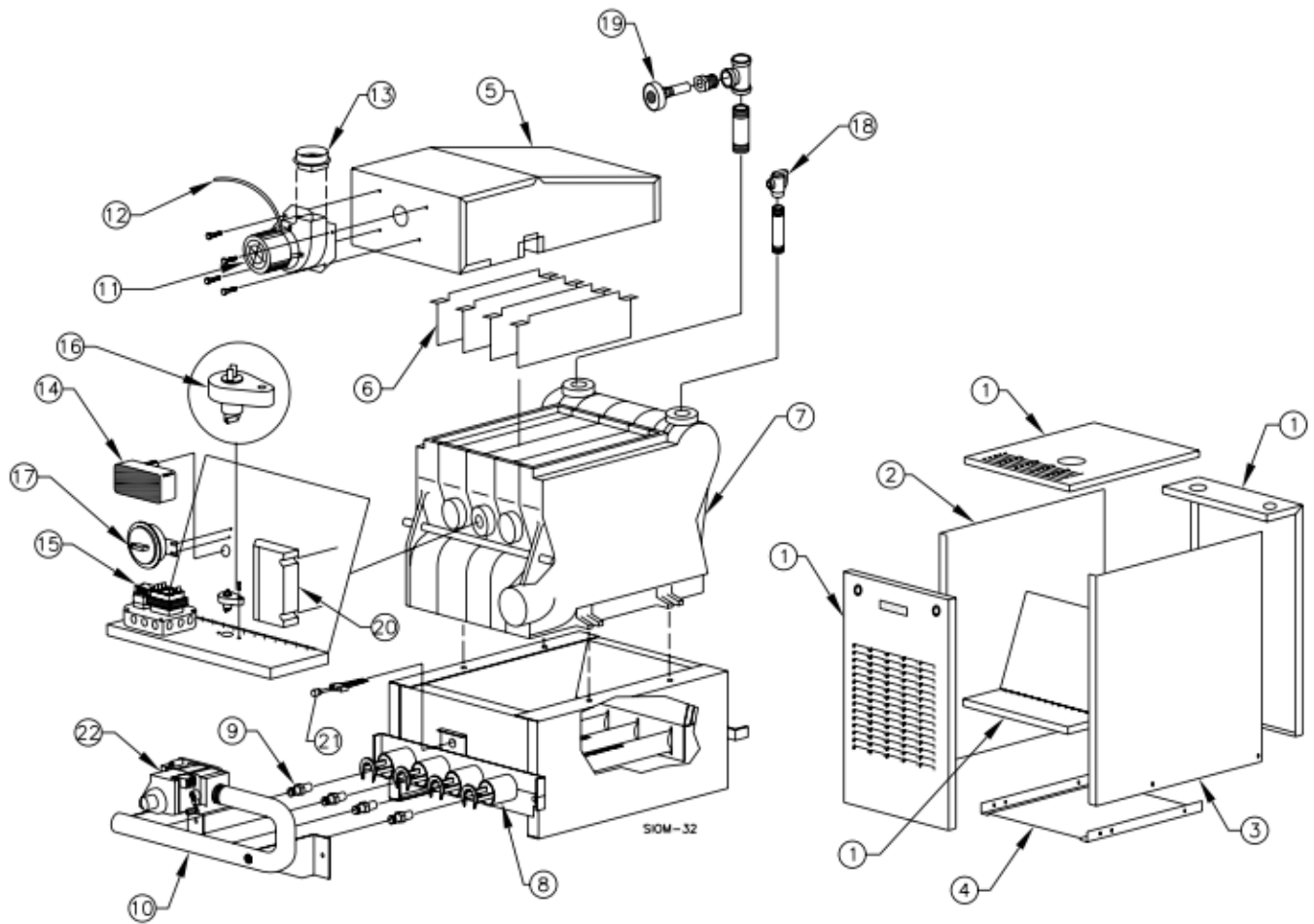


PARTS FOR DISCONTINUED BOILERS

GV100 Series



PARTS FOR DISCONTINUED BOILERS

GV100 Series

GV100 SERIES REPLACEMENT PARTS

Ref #	Name of Part	Part No.	Number of Sections				
			3	4	5	6	7
8	Burner w/air Shutter	69445	2	3	4	5	6
9	Burner Orifice (#42, NG)	60176	2	3	4	5	6
	Burner Orifice (#54, LP)	60177	2	3	4	5	6
10	Manifold	69786	1				
		69787		1			
		69788			1		
		69789				1	
		69790					1
11	Induced Blower (No Flapper)	55529	1	1	1	1	1
12	Silicone Tubing	55527	14"	14"	14"	14"	14"
13	Transition Collar	55519	1	1	1	1	1
14	High Limit (L4080B-1253)	50155	1	1	1	1	1
15	Control Center (R8285D-1026) 40 va trans.	50154	1	1	1	1	1
—	Inducer Relay (In Junction Box)	55526	1	1	1	1	1
16	Roll Out Switch (262 deg. F) 4D4257A	60567	1	1	1	1	1
17	Pressure Switch Set @ -.45 W.C.	55534	1	1			
	Pressure Switch Set @ -.51 W.C.	55535			1		
	Pressure Switch Set @ -.58 W.C.	55536				1	
	Pressure Switch Set @ -.65 W.C.	55537					1
18	Pressure Relief Valve (30 psi)	61988	1	1	1	1	1
19	Temp & Pressure Gauge	60265	1	1	1	1	1
HSI - FENWALL IGNITION SYSTEM							
20	Ignition Module (05-319004-051)	72850					
	Jumper Harness for Ignition Module (05-316265-051) Must order with part #72850	73072					
20	Ignition Module (35-655922-001) or 35-655927-001	50337	1	1	1	1	1
21	Igniter (Norton)	50072	1	1	1	1	1
	Igniter with bracket Crystal Technical	70-1049	1	1	1	1	1
	Norton Igniter System to Crystal Technica	21-1500	1	1	1	1	1
22	Gas Valve 36J (Replacement for 36E01)	21-1503	1	1	1	1	1
	Gas Valve (VR8305M-3506) LP	50057	1	1	1	1	1
HSI - RAM IGNITION SYSTEM							
—	Conversion Kit from Ram to Fenwall NG/LP	72780	1	1	1	1	1
INTERMITTENT IGNITION - HONEYWELL							
—	Conversion Kit to Fenwall Ignition System NG	72998	1	1	1	1	1
—	Conversion Kit to Fenwall Ignition System LP	72999	1	1	1	1	1