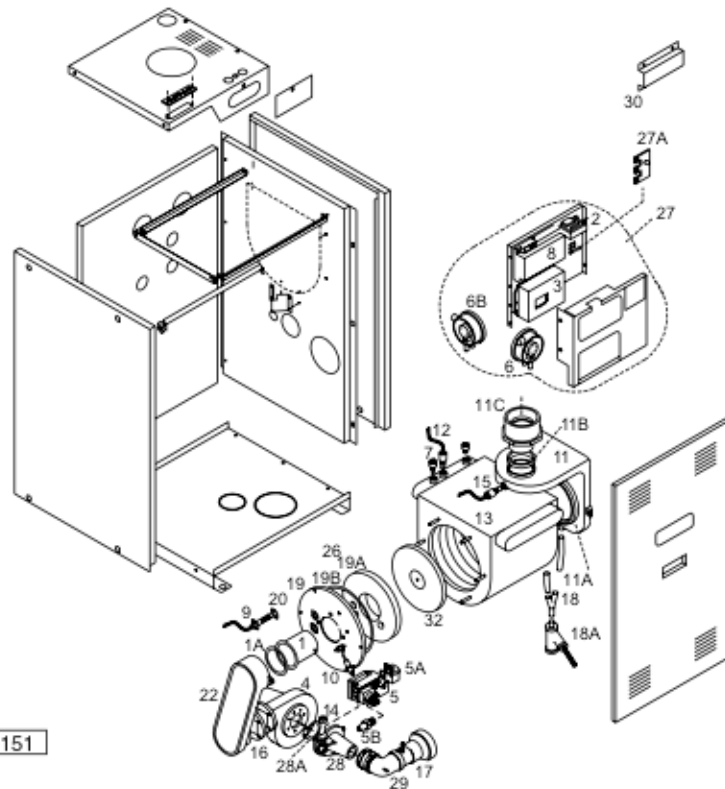


# PARTS FOR DISCONTINUED BOILERS

## GT Series 150-200

### GT-150/200 SERIES REPLACEMENT PARTS



SIOM-151

Item	Part No.	Description
1	GT-82657	Premix burner, 135.8 – 150 Only
1	GT-82658	Premix burner, 200.6 – 200 Only
1A	GT-82761	Premix Burner Gasket
2	GT-82457	Transformer, 24V
3	GT-82013	Sentry 2100
4	GT-82052	Blower #RG130 – 150 Only
4	GT-82661	Blower #RG148/1200 – 200 Only
5	GT-82054	Gas Valve (CVI) VK8115F1134B
5A	GT-82065	Gas Valve 1/2" npt elbow
6	GT-82662	Air switch Huba @ .15"wc.
7	GT-82671	Thermister #T7335C2016 1 Mohm (non ASME 150-200 before 2/1/08)
7	GT-83035	Thermister NTC 1/4" NPT, 1 Mohm (150ASME/200 after 2/1/08)
8	GT-82058	Ignition Module Fenwal #2465H
9	GT-82708	Igniter, #601, c/w SS Heat shield
10	GT-82762	Rauschert Flame Rod
11	GT-82763	Composit Flue Box
11A	GT-82764	Composit Flue Box Gasket
11B	GT-82765	Composit Flue Outlet Gasket
11C	GT-83291-1	Flue Adapter Assembly w/Top Panel
12	GT-82659	Manifold Limit, 1/8BSP, Brass (150-200)
12	GT-82992	Manifold Limit, 1/4NPT, Brass (150 ASME)

Item	Part No.	Description
13	GT-82596	150 non-ASME Heat Exchanger
13	GT-83012	150 ASME Heat Exchanger
13	GT-82647	200 Heat Exchanger
14	GT-82650	LP orifice 5.20mm
15	GT-82660	Stack Limit, 1/4BSP, SS, 190F, Dif=30
16	GT-82766	Blower gasket 150 Only
16	GT-82719	Blower gasket 200 Only
18	GT-82127	Condensate nylon Y
18A	GT-82913	Siphon Condensate Trap
19/	GT-82767	Burner door w/Ceramic disc
19A	GT-82770	Burner door gasket
20	GT-82768	Igniter gasket
27A	GT-82984	PCB Optocoupler
28	GT-82054-1	CVI Venturi 01
28A	GT-82054-2	CVI Venturi Gasket
29	GT-82104-1	Air metering Elbow
30	GT-81027-1	Sentry 2100 (10k) Outdoor Air Sensor
31	GT-83223	1/8 NPT Water Pressure Switch (non ASME 150/200 - before 2/1/08)
31	GT-83218	1/4 NPT Water Pressure Switch (150 ASME/200 after 2/1/08)
32	GT-83112	Divider Plate Insulation c/w washer and screw