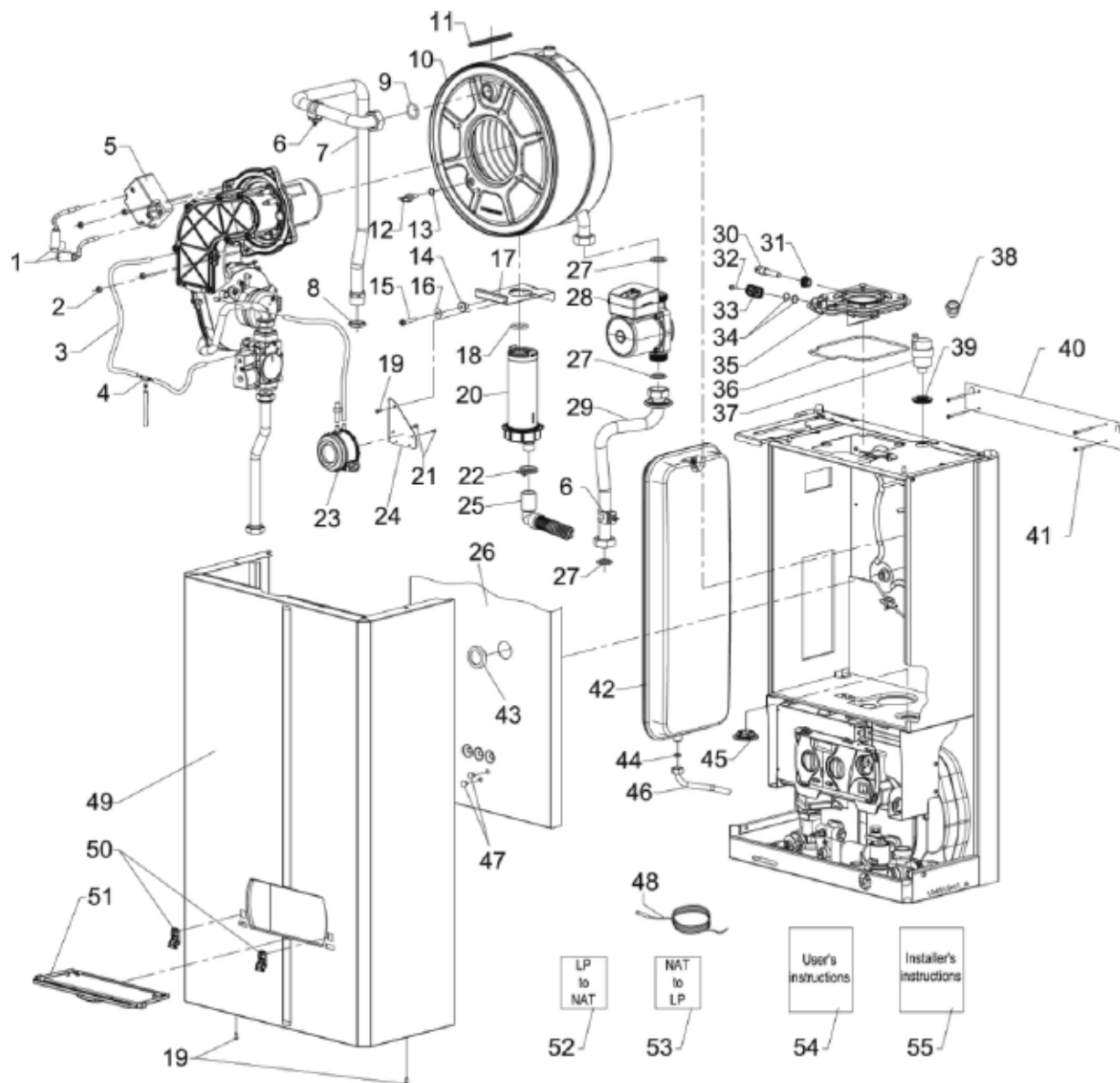


GC-160



GC-160 SERIES REPLACEMENT PARTS

Ref #	Name of Part	Part No.
1	Cable UL Ignitor CONN 90°	60504206
2	Nut Zinc Coated 6MA	60802005
3	Silicone Pipe	60320001
4	Tee for Dry Water Condensation	61405036
5	Spark Generator NO Cable UL	60510022
6	Sensor NTC 10 KOHM A KLIP DIAM.22	62111016
7	Copper Pipe D22 M/F 3/4"G-1"G	62622011
8	3/4" Ring Nut	60802018
9	O-Ring Primary Heat Exchanger	60702030
10	Primary Heat Exchanger C.R.R ASME	62649004
11	Gasket EPDM	60702047

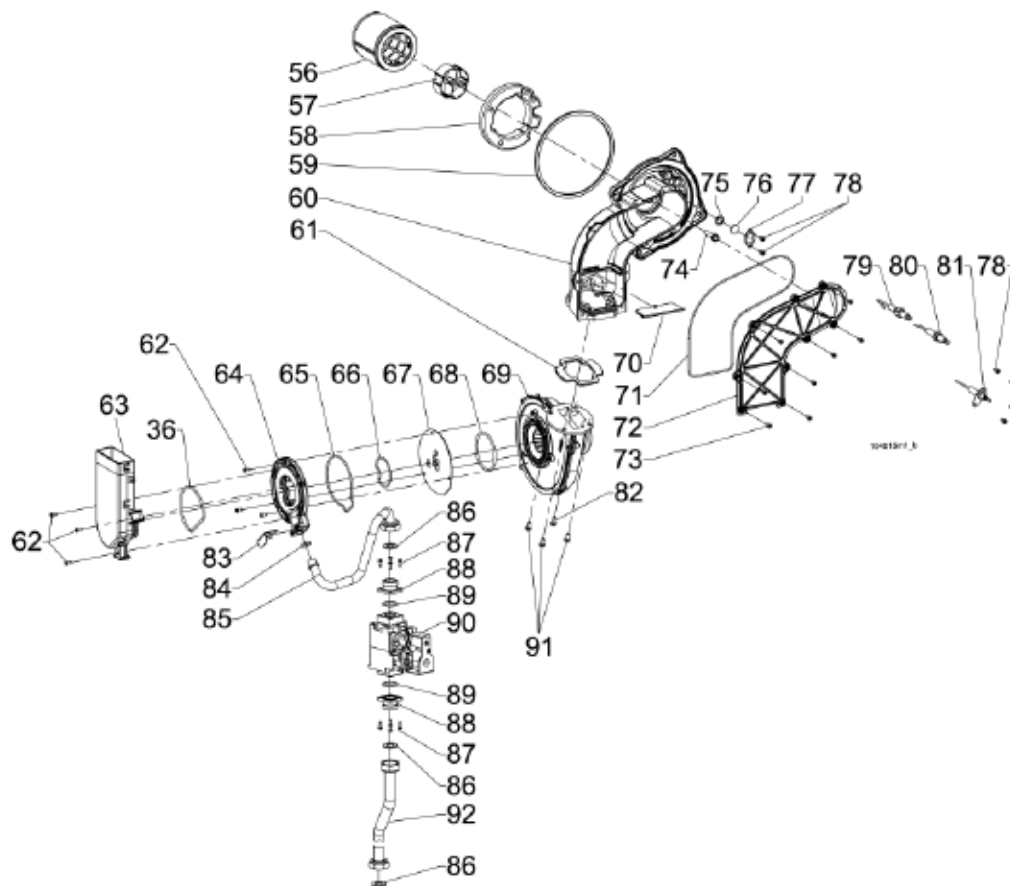
Ref #	Name of Part	Part No.
12	Sensor NTC 10 KOHM 1/8"	62111017
13	Gasket Copper 1/8" SP.1,5	60803027
14	Silicone Tap	61405025
15	Screw 6X35 Zinc TC-CR	60801116
16	Washer	60803011
17	Bracket Siphon	60406074
18	O-Ring Siphon	60702055
19	Screw Selftapping Pressure Switch Bracket	60801043
20	Siphon	62630136
21	Screw Selftapping Pressure Switch	60801100
22	Spring	60806020

GC-160

GC-160 SERIES REPLACEMENT PARTS

Ref #	Name of Part	Part No.
23	Pressure Switch	62113041
24	Bracket Pressure Switch	60406092
25	Polyethylene Pipe L= 1000	60322012
26	Sealing Chamber Door	60402037
27	1"G Gasket	60701001
28	Pump Grundfos UP 15/58U BRUTE	62301031
29	Copper Pipe D22 Return Sealing Chamber	62622012
30	Sensor Flue Gas	62111015
32	Screw 4,8X19 Zinc AF TC-CR UNI6954	60801132
33	Plug for Flue Air Fitting	61405164
34	O-Ring Flue Air Fitting Plug	60702052
35	Discharge RACCORD PP	61405160
36	Gasket Round Sponge D.3,5 MM IP44 S3	60702035
37	Automatic Air Vent	61206001
38	3/8 Male to 1/8NPT Female Bushing	60101119

Ref #	Name of Part	Part No.
39	Gasket EPDM D38 F20 SP6	60703033
40	Wall Mounting Bracket	60411085
41	Screw Selftapping 5X50 Wood	60801097
42	EXP Tank LT. 8 561X203X80 RETT.	62201005
43	Glass Window with Gasket	60815012
44	3/8" G Gasket	60701005
45	Fairlead 6 Poles Silicone	61102006
46	EXP Tank Pipe	62625064
47	Plastic Cap TPP 8.5	61405219
48	Tank Sensor	62110071
49	External Jacket 500X840X245	62610067
50	Door Support	61405167
51	Door ABS	62610065
52	Conversion Kit LP to Natural	62630152
53	Conversion Kit Natural to LP	62630151
56	Burner Head	62629036
57	Extrusion Burner Head	61504029
58	Therm. Insulation Vermiculite	60909008
59	Gasket. Sil.	60703032

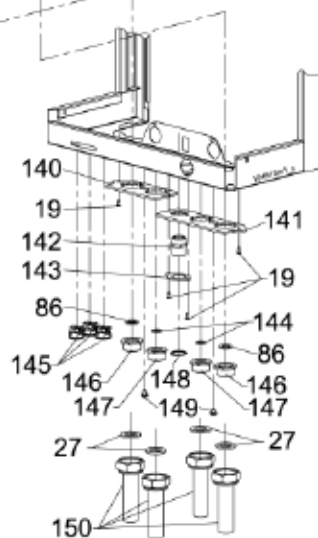
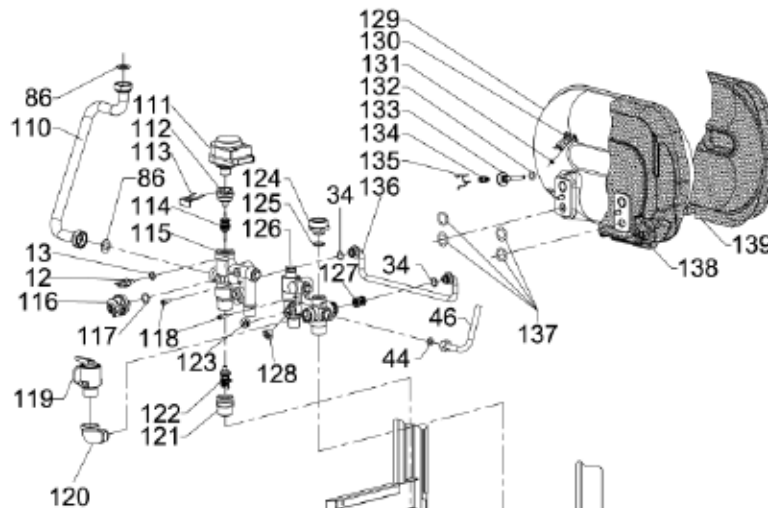
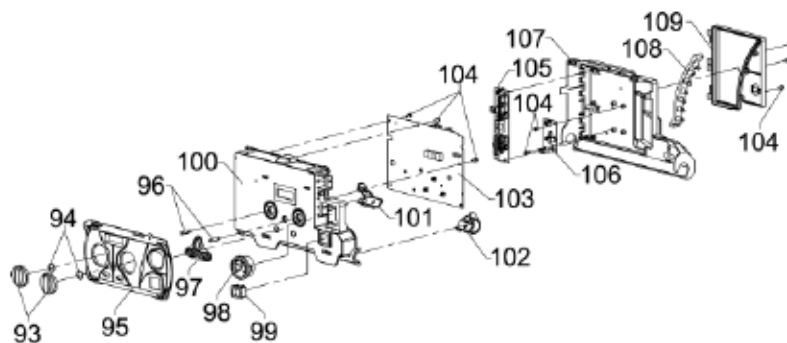


GC-160

GC-160 SERIES REPLACEMENT PARTS

Ref #	Name of Part	Part No.
60	Base Manifold Air Aluminum	61404108
61	Gasket Sil.Manifold Fan	60703030
62	Screw Selftapping 4X12 TC S-TT UNI-8112	60801136
63	Manifold Air Cutted	62651016
64	Mixer Air/Gas	61404114
65	O-Ring 3350	60702049
66	O-Ring 3200	60702048
67	Diaphragm 9 Holes D. 10	60408261
68	O-RING 165 NBR 3,53 X 61,91	60702056

Ref #	Name of Part	Part No.
69	Fan	61901029
70	Back Flue Gas Preventer	61405174
71	O-Ring 3825 Sil	60702051
72	Cover Manifold Air Aluminum	61404109
73	Screw Selftapping 4X10 TC S-TT UNI-8112	60801080
74	Selftapping Bolt	60801111
75	Gasket Frizite	60701013
76	Glass Pirex	60815011
77	Flange	60404253



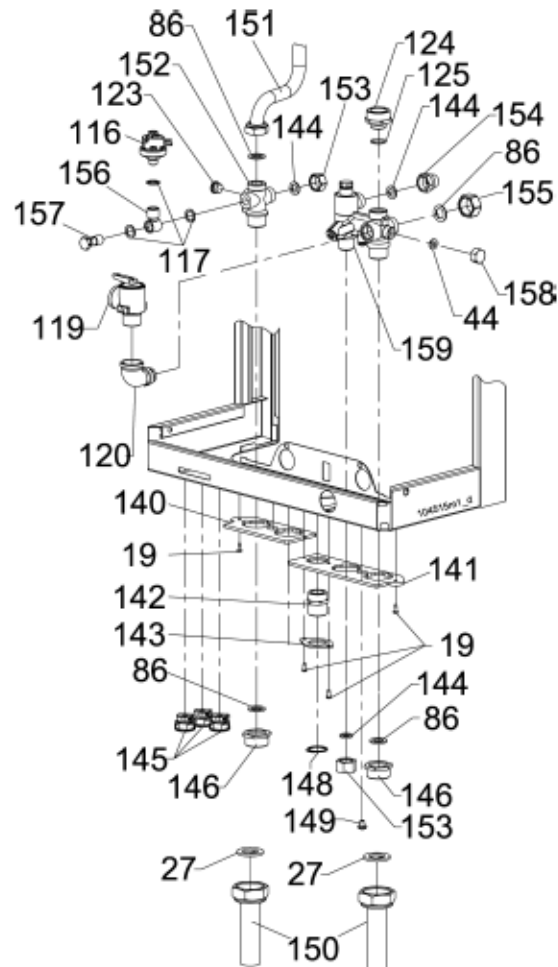
**Bottom of the boiler for
160C and 160OC models**

GC-160

GC-160 SERIES REPLACEMENT PARTS

Ref #	Name of Part	Part No.
78	Screw Selftapping 4X8 TC S-TT UNI-8112	60801081
79	Left Ignition Electrode	60505022
80	Right Ignition Electrode	60505023
81	Detection Electrode	60505024
82	Screw 5X12 Hexagonal Head	60801102
83	Spring Mixer	60406069
84	O-Ring Gas Pipe	60702050
85	Gas Pipe (SIT)	62624125
86	Gasket 3/4P Gas Pipe	60701006
87	Screw 4X10 Zinc TC-CR	60801014
88	Flange Gas 32X32 3/4P	60101224
89	O-Ring Gas Valve	60702029
90	Gas Valve SIGMA848 120V	61201040
91	Bolt 5X12 Cross Head	60801021
92	Pipe D18 F/F 3/4P-3/4P SIT USA	62623249
93	Control Knob S3	62103009

Ref #	Name of Part	Part No.
94	O-Ring Control Knob	60702041
95	Front Interface	61405203
96	Tree Potmeter-Knob	61405151
97	Keys Rubber 3 Positions	61405190
98	Pressure Gauge DIAM.38 - 1/4" PSI	62102009
99	Gas Valve Service Switch	60506019
100	Base Electrical Box	61405184
101	Fairlead SX	61405186
102	Fairlead DX	61405188
103	Power Control Board PHC 120V	62110076
104	Screw 4X8 Zinc	60801138
105	Junction Board 45	60507056
106	Interface OPENTERM	62118015
107	Cover Electrical Box	61405185
108	Fairlead 7 Exit	61103011
109	Cover Junction Box	61405189



**Bottom side of
the 160-B model**

GC-160

GC-160 SERIES REPLACEMENT PARTS

Ref #	Name of Part	Part No.
110	Pipe Supply Sealing Chamber	62623246
111	3 Way Valve Motor 120V	61203015
112	Plug Piston Body OT.	61202024
113	Spring FORCK 3V	60808002
114	Upper Piston	61202027
115	Hydronic Supply Group.	61408005
116	Heating Pressure Switch	62113035
117	Gasket Copper 1/4P	60704003
118	Screw 5X18 Zinc TC-ES-INC UNI5931	60801134
119	ASME Safety Relief Valve	61205010
120	Elbow Brass 3/4P F 1/2P	60101247
121	Cover Piston Heating	61202025
122	Piston Heating Side	61202028
123	Plug Brass 1/4P M with O-Ring	60107005
124	Nipple OT 1"-22X1,5 MM	60110028
125	O-Ring 2075 EPDM 1,78 X 18,77	60702036
126	Hydronic Return Group	61408007
127	By-Pass Valve	61202026
128	3/4" Male Cap	60701006
129	Domestic Heat Exchanger	62653003
130	Sensor Heat Exchanger	62110052
131	Nut Zinc Coated 4MA	60802008
132	O-Ring 3037 EPDM 2,62 X 9,19	60702053
133	Purging Pipe	62628001
134	Purging Valve M10X1	61206011
135	FORCK By-Pass Pipe	60808003

Ref #	Name of Part	Part No.
136	By-Pass Pipe	60305073
137	O-Ring 4075 EPDM 3,53 X 18,64	60702054
138	Front Therm. Insulation	60901022
139	Rear Therm. Insulation	60901023
140	Bracket Hexagonal Holes Short	60440008
141	Bracket Hexagonal Holes Long	60440009
142	Nipple OTT 3/4NPT-3/4P USA	60110025
143	Bracket Hexagonal Hole Small	60411117
144	1/2" G Gasket	60701004
145	Fairlead PA 107 Screw HILO 3,5X14,5	61101001
146	Connection Brass 3/4P to 1P	60101011
147	Connection Brass 1/2P to 1P	60101225
148	3/4" Nut	60802018
149	Screw 6X8 Zinc TC-CR DIN7985	60801135
150	Copper Pipe 1" Gas to 3/4"	60310002
151	Supply Pipe (Boiler Only Units)	62623248
152	Hydronic Supply Group (Boiler Only Units)	61408008
153	1/2P Cap	60101124
154	1/2"-1/4" FF Brass Fitting	60101193
155	Plug Brass 3/4P F	60107014
156	Fitting D12 1/4 1/4M	60101190
157	Fitting 1/4M CH17	60101217
158	Plug Brass 3/8P F	60107015
159	Hydronic Return Group (Boiler Only Units)	61408009