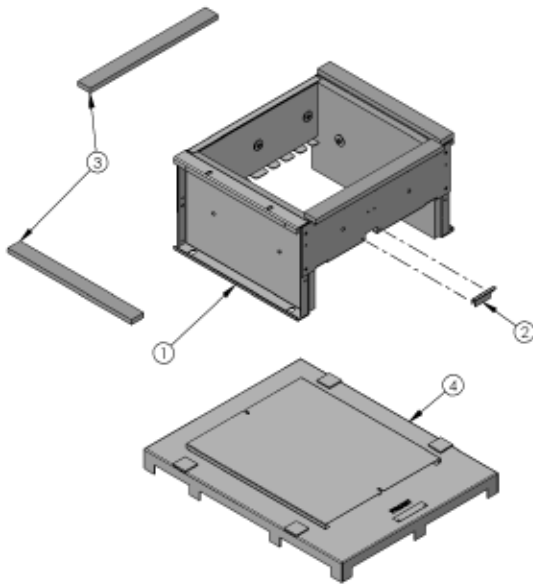
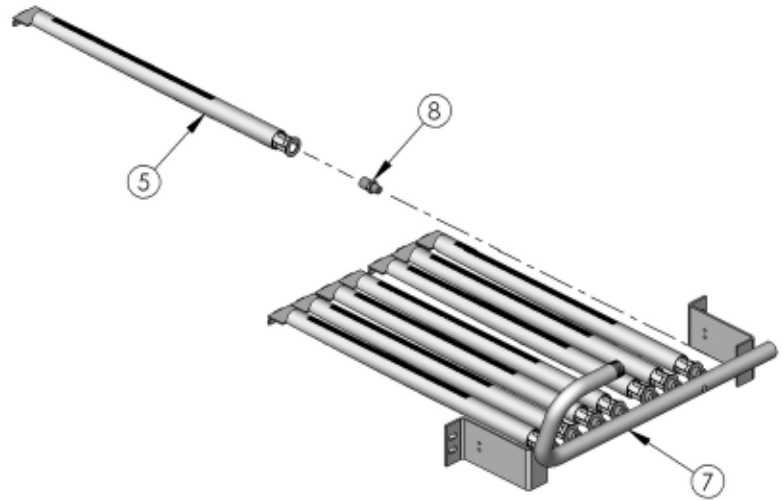


GBX Series

GBX SERIES REPLACEMENT PARTS



Base/Combustible Floor Pan



Manifold

GBX SERIES REPLACEMENT PARTS

Ref #	Name of Part	Part No.	Boiler Size				
			70	105	140	175	195
1	Base Assembly	7800	1				
		7801		1			
		7802			1		
		7803				1	
		7804					1
2	Observation Cover Door	51771	1	1	1	1	1
3	Base Blanket Seal (Specify Length)	50867	4'	5'	6'	6'	7'
4	Non-Combustible Floor Pan Assembly	90700	1				
		90701		1			
		90702			1		
		90703				1	
		90704					1
5	Steel Burner	51537					
6	Steel Burner w/Standing Pilot Clip	51263	1	1	1	1	1
	Steel Burner w/Int Pilot Clip	51539					
7	Gas Manifold	50978PB	1				
		50979PB		1			
		50980			1		
		50981				1	
		50954					1

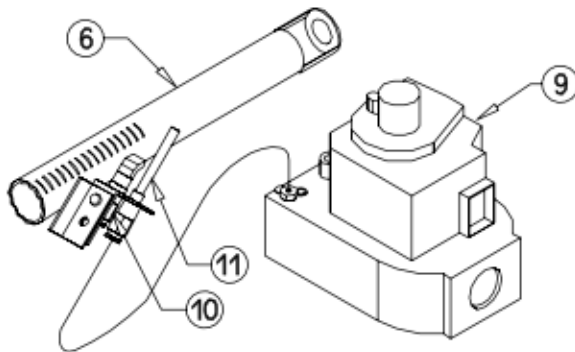
GBX Series

GBX SERIES REPLACEMENT PARTS

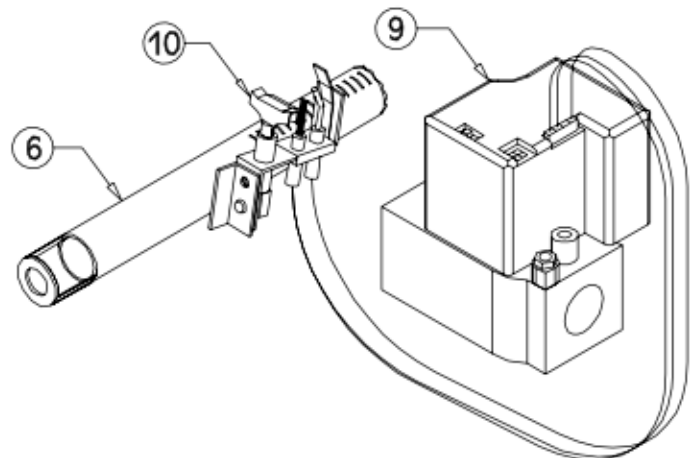
Ref #	Name of Part	Part No.	Boiler Size				
			70	105	140	175	195
8	Orifice #48 (Nat. Gas)	50894	1	1	1	1	
	Orifice #49 (Nat. Gas)	50895					1
	Orifice #56 (L.P.)	50899	1	1	1	1	
	Orifice #57 (L.P.)	50900					1
9	Honeywell VR8200A2116 Gas Valve (NG)	50581	1	1	1		
	Honeywell VR8200C6040 Gas Valve (LP)	50221PB	1	1	1		
	Honeywell VR8300A4003 Gas Valve (NG)	50587				1	1
	Honeywell VR8300C4035 Gas Valve (LP)	91333				1	1
10	Honeywell Q314U1001 Pilot (NG & LP)	51905	1	1	1	1	1
11	Johnson K16BA-24D Thermocouple	50838	1	1	1	1	1
9	Honeywell VR8204A-2001 Gas Valve (NG)	50583	1	1	1		
	Honeywell VR8304M-4002 Gas Valve (NG)	50589				1	1
	Honeywell VR8204A-2013 Gas Valve (LP)	50584	1	1	1		
	Honeywell VR8304M-4010 Gas Valve (LP)	50590				1	1
10	Honeywell Q348A-1002 Pilot (NG)	50558	1	1	1	1	1
	Honeywell Q348A-1358 Pilot (LP)	51814	1	1	1	1	1
	Ignition Module S8610	50672					
	SV9501M2700 Gas Valve (NG)*	51682	1	1	1		
	SV9501M2064 Gas Valve (LP)*	51691	1	1	1		
	SV9601M4167 Gas Valve (NG)*	51683				1	1
	SV9601M4225 Gas Valve (LP)*	51692				1	1
	SV Pilot NG Q3480B-1025*	51684					
	SV Pilot LP Q3480B-1058*	50205PB					
12	Block Assembly	90419	1				
		90420		1			
		90421			1		
		90422				1	
		90423					1

* Old Style - Need to verify existing parts before ordering.

**Gas Valve and Pilot
Standing Pilot (Continuous Ignition)**



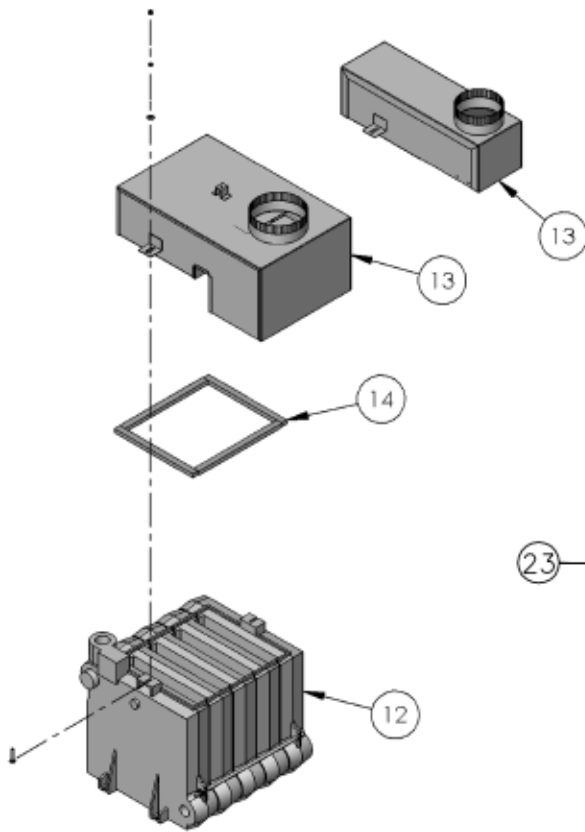
**Gas Valve and Pilot
Intermittent Ignition**



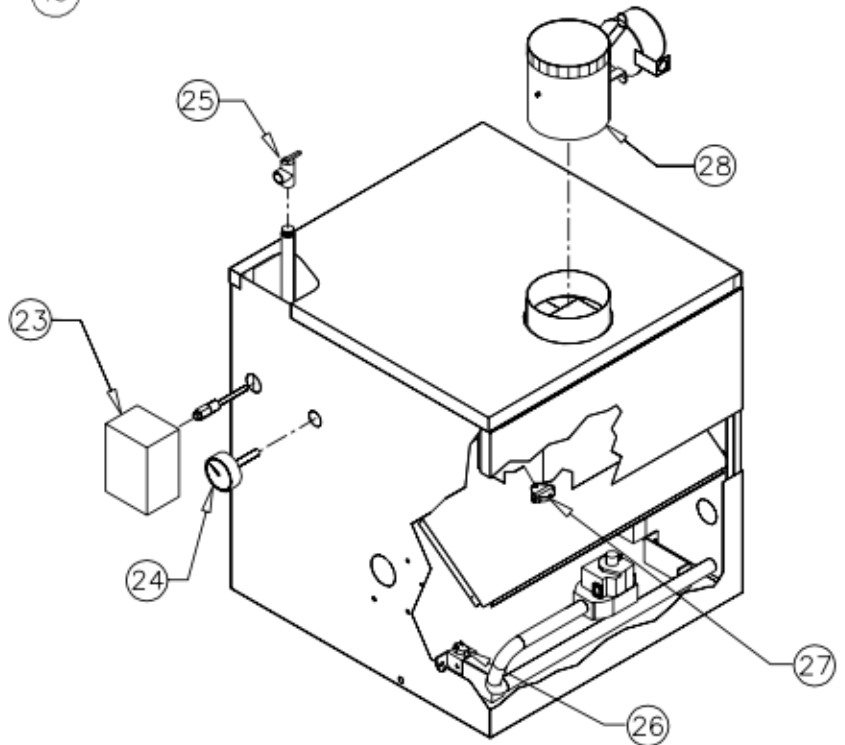
GBX Series

GBX SERIES REPLACEMENT PARTS

Ref #	Name of Part	Part No.	Boiler Size				
			70	105	140	175	195
13	Flue Collector/Draft Hood	90510	1				
		90511		1			
		90512			1		
		90513				1	
		90514					1
14	Flue Collector Blanket Seal (specify length)	50866					
16	Jacket Assembly	6121	1				
		6122		1			
		6123			1		
		6124				1	
		6125					1
23	Hydrolevel 3200 Limit	50334					
--	Honeywell Well 48-201	50723	1	1	1	1	
24	Temperature-Pressure Gauge	51324	1	1	1	1	
25	Safety Relief Valve 30 psi	50501PB					



Block/Draft Hood



Controls/Circulator/ Vent Damper

GBX Series

GBX SERIES REPLACEMENT PARTS

Ref #	Name of Part	Part No.	Boiler Size				
			70	105	140	175	195
26	Flame Roll-Out Switch 333°F - Fusible Link	51587	1	1	1	1	1
27	Blocked Vent Shut-Off (Spill) Switch - Resettable	50043PB	1	1	1	1	1
28	Vent Damper 5"	90612	1	1			
	Vent Damper 6"	90613			1	1	
	Vent Damper 7"	90614					1
CONVERSION KITS							
<i>Standing Pilot</i>							
—	Natural to LP	91144	1	1	1		
	Standing Pilot Natural to LP	91145				1	
	Standing Pilot Natural to LP	91146					1
—	LP to Natural	91141	1	1	1		
		91142				1	
		91143					1
<i>Intermittent Pilot</i>							
—	Natural to LP	90776	1	1	1	1	
	Spark Natural to LP	91149					1
—	LP to Natural	91147	1	1	1	1	
		91148					1